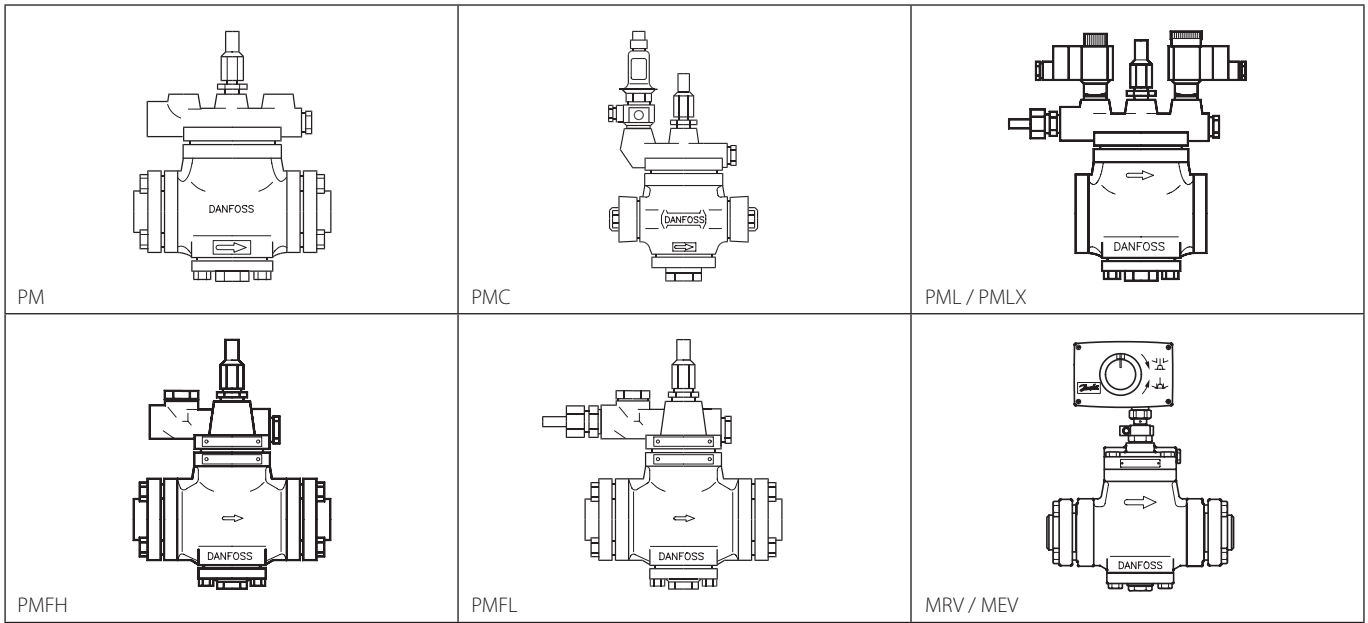


Data sheet

Spare parts and accessories

Pilot operated servo valves, types PM, PMC | Solenoid valves, types PML, PMLX
Liquid level regulating valves, types PMFH, PMFL | Motorised valves, types MRV, MEV



Valve type	Size	See details on page #	Code no.
Inspection kits			
PM1 PM3 PMC1 PMC3 PML PMLX MRV	5	3 + 4	027F3075
	10	3 + 4	027F3075
	15	3 + 4	027F3075
	20	3 + 4	027F3075
	25	3 + 4	027F3075
	32	5 + 6	027F3076
	40	7 + 8	027F3077
	50	9 + 10	027F3078
	65	11 + 12	027F3079
	80	13	027F3091
	100	14	027F3092
	125	15	027F3093
PMFL PMFH MEV	80-1	3 + 4	027F3075
	80-2	3 + 4	027F3075
	80-3	3 + 4	027F3075
	80-4	3 + 4	027F3075
	80-5	3 + 4	027F3075
	80-6	3 + 4	027F3075
	80-7	3 + 4	027F3075
	125	5 + 6	027F3076
	200	7 + 8	027F3077
	300	9 + 10	027F3078
	500	11 + 12	027F3079

Inspection kits:

Contains all gaskets, O-rings and aluminium rings belonging to 1 valve size.
For detailed content, see specific pages mentioned above.

Repair kits:

Contains all gaskets, O-rings and aluminium rings belonging to 1 valve size - also including valve seat and piston ring.
For detailed content, see specific pages mentioned above.

Overhaul kits:

Contains all gaskets, O-rings and aluminium rings belonging to 1 valve size and parts what could be damaged or worn out.
For detailed content, see specific pages mentioned above.

Valve type	Size	See details on page #	Code no.	
Repair kits				
PM1 PM3 PML PMLX MRV	5	16 + 17	027F3150	
	10	16 + 17	027F3150	
	15	16 + 17	027F3150	
	20	16 + 17	027F3150	
	25	16 + 17	027F3150	
	32	18 + 19	027F3152	
	40	20 + 21	027F3153	
	50	22 + 23	027F3154	
	65	24 + 25	027F3155	
	80	26 + 27	027F3156	
	100	28 + 29	027F3157	
	125	30 + 31	027F3158	
	PMFL PMFH MEV	80-1	16 + 17	027F3150
		80-2	16 + 17	027F3150
		80-3	16 + 17	027F3150
80-4		16 + 17	027F3150	
80-5		16 + 17	027F3150	
80-6		16 + 17	027F3150	
80-7		16 + 17	027F3150	
125		18 + 19	027F3152	
200		20 + 21	027F3153	
300		22 + 23	027F3154	
500		24 + 25	027F3155	
PMC		20-5	32	027F0555
	20-8	32	027F0555	
	20-12	32	027F0555	
	20-20	32	027F0555	

Data sheet | Spare parts and accessories for PM, PMC, PML, PMLX, PMFL, PMFL, MRV and MEV

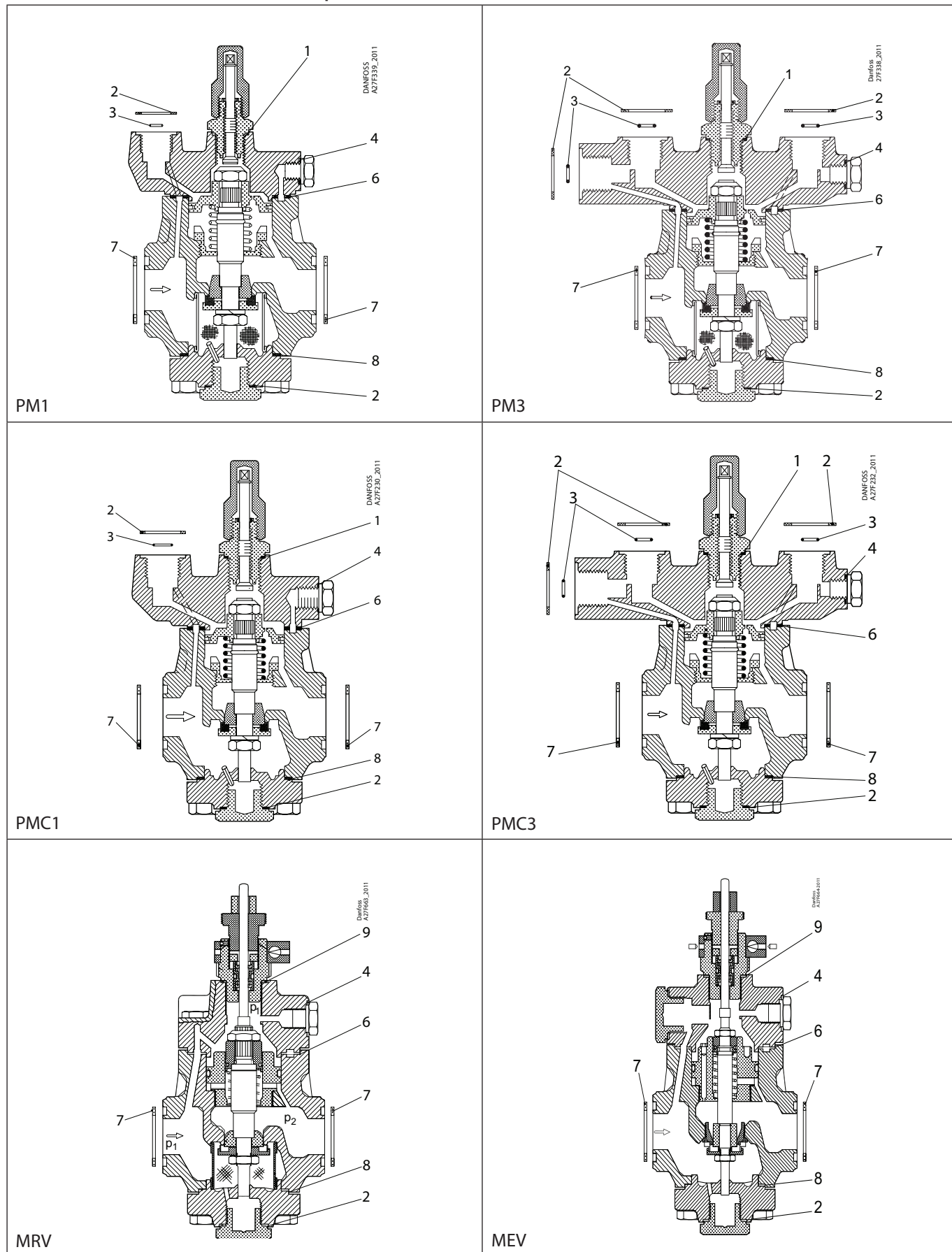
Valve type	Size	See details on page #	Code no.
Overhaul kits			
PM 1-3 Standard	80	39	027F3377
	100	40	027F3378
	125	41	027F3379
PM 1-3 V-cone	80	49	027F3387
	100	50	027F3388
	125	51	027F3389
PML	80	56	027F0560
	100	57	027F0561
	125	58	027F0562
PMLX	80	63	027F0571
	100	64	027F0572
	125	65	027F0573

Valve type	Size	See details on page #	Code no.	
Overhaul kits				
PMFL	80-1	75	027F0611	
	80-2	76	027F0631	
	80-3	77	027F0632	
	80-4	78	027F0633	
	80-5	79	027F0634	
	80-6	80	027F0635	
	80-7	81	027F0636	
	125	82	027F0637	
	200	83	027F0638	
	300	84	027F0639	
	PMFH	80-2	85	027F0663
		80-3	86	027F0669
		80-4	87	027F0676
80-5		88	027F0677	
80-6		89	027F0678	
80-7		90	027F0700	
125		91	027F0704	
200		92	027F0705	
300		93	027F0709	
500		94	027F0710	
PMC	20-5	104	027F0770	
	20-8	105	027F0754	
	20-12	106	027F0755	
	20-20	107	027F0756	

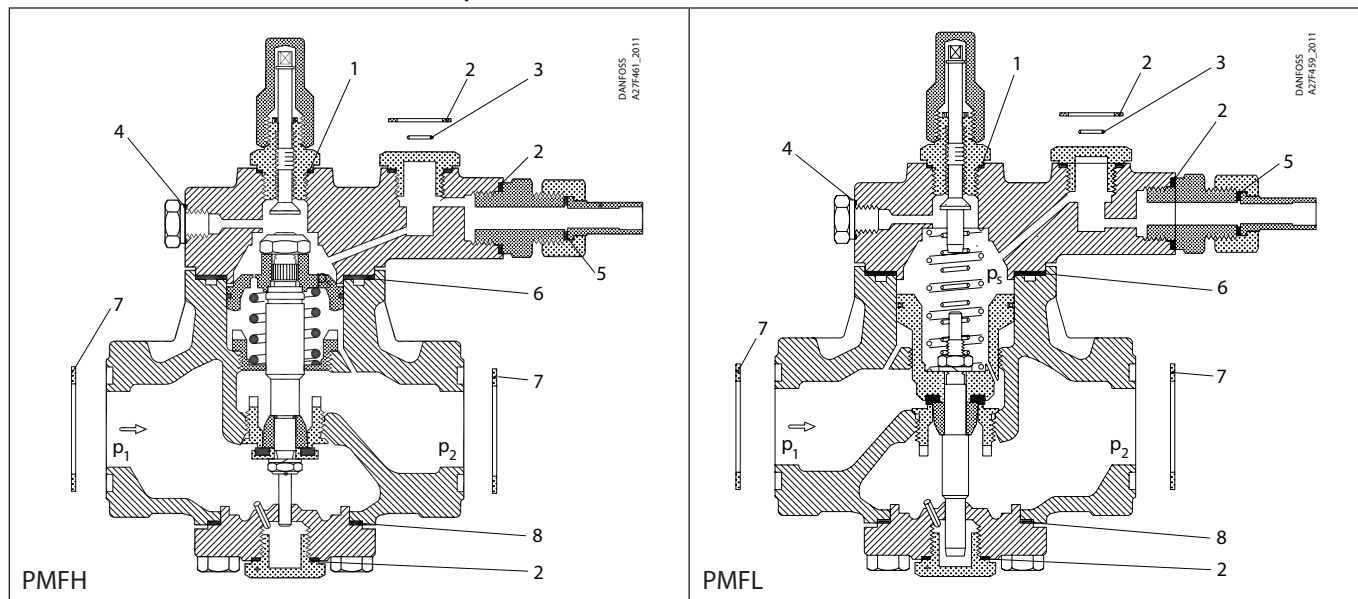
Accessories - ICV PM flanged valve housings

ICV PM	25	108	027H2119
	32	108	027H3129
	40	108	027H4128
	50	108	027H5127
	65	108	027H6128

Inspection kit | Code number 027F3075
 PM, PMC, MRV, sizes 5 to 25 | MEV, PMFH, PMFL, sizes 80-1 to 80-7



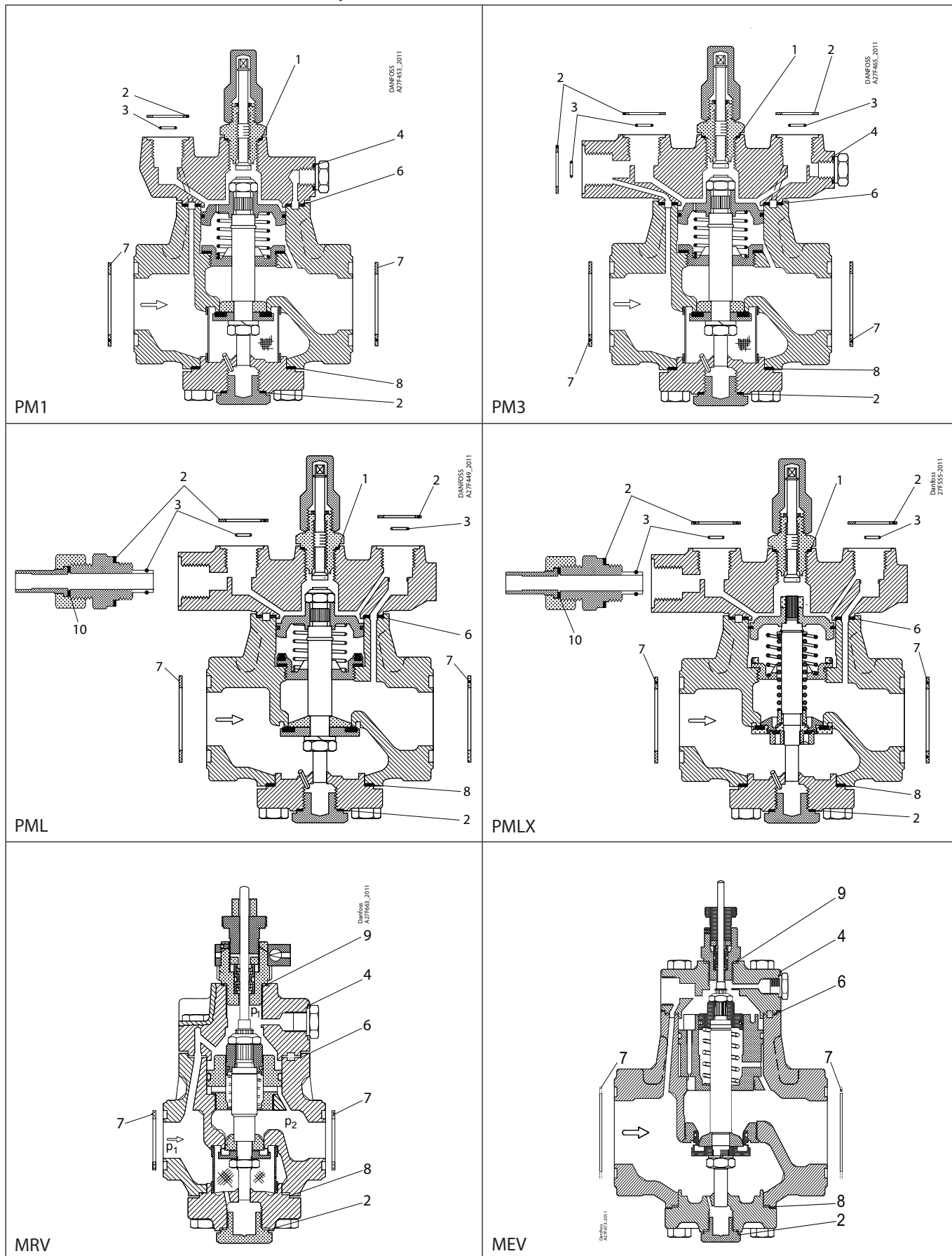
Inspection kit | Code number 027F3075
 PM, PMC, MRV, sizes 5 to 25 | MEV, PMFH, PMFL, sizes 80-1 to 80-7



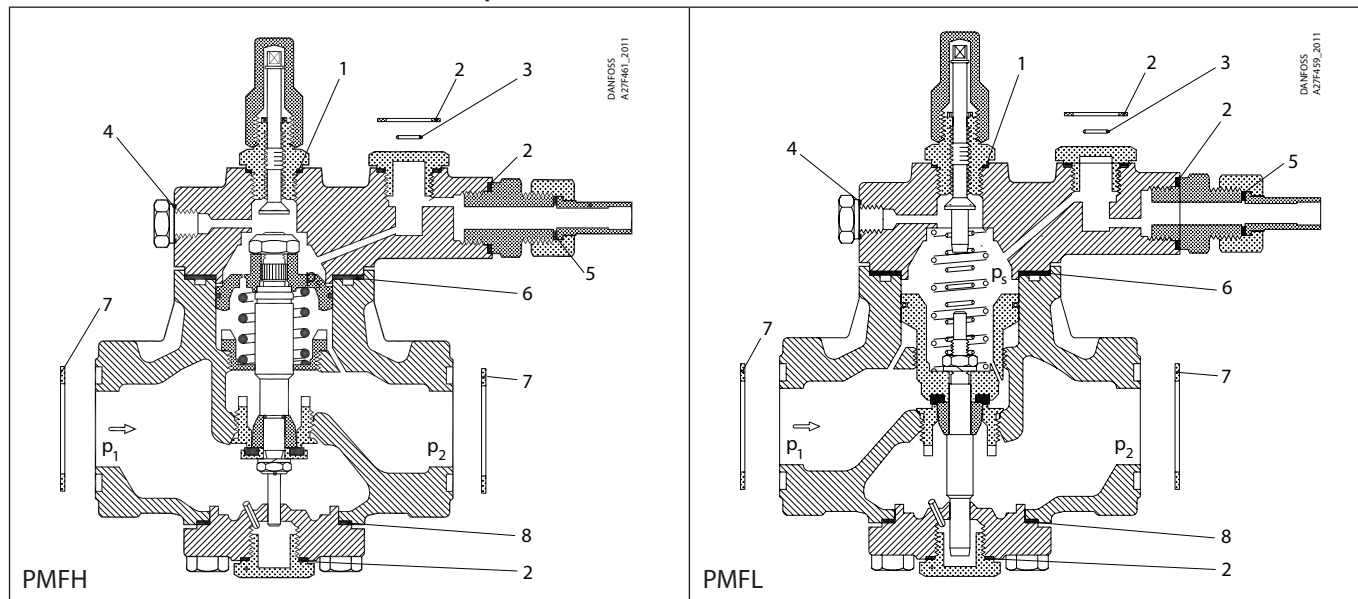
<p>1</p> <p> = Alu.</p> <p>Ø26 mm / Ø1.02"</p> <p>Total no. = 1</p>	<p>2</p> <p> = Fibre</p> <p>Ø33 mm / Ø1.28"</p> <p>Total no. = 4</p>	<p>3</p> <p> = Alu.</p> <p>Ø9 mm / Ø0.36"</p> <p>Total no. = 3</p>	<p>4</p> <p> = Alu.</p> <p>Ø18 mm / Ø0.70"</p> <p>Total no. = 1</p>
<p>5</p> <p> = Alu.</p> <p>Ø14 mm / Ø0.55"</p> <p>Total no. = 1</p>	<p>6</p> <p> = Fibre</p> <p>Ø75 mm / Ø2.95"</p> <p>Total no. = 1</p>	<p>7</p> <p> = Fibre</p> <p>Ø39 mm / Ø1.54"</p> <p>Total no. = 2</p>	<p>8</p> <p> = Fibre</p> <p>Ø60 mm / Ø2.36"</p> <p>Total no. = 1</p>
<p>9</p> <p> = Alu.</p> <p>Ø32 mm / Ø1.26"</p> <p>Total no. = 1</p>	<p>10 *</p> <p> = Alu.</p> <p>Ø22 mm / Ø0.87"</p> <p>Total no. = 1</p>		

* The spare part is included in the package but is not used for PM, PMC, MRV, sizes 5 to 25 or MEV, PMFH, PMFL, sizes 80-1 to 80-7

Inspection kit | Code number 027F3076
 PM, PML, PMLX, MRV, size 32 | MEV, PMFH, PMFL, size 125

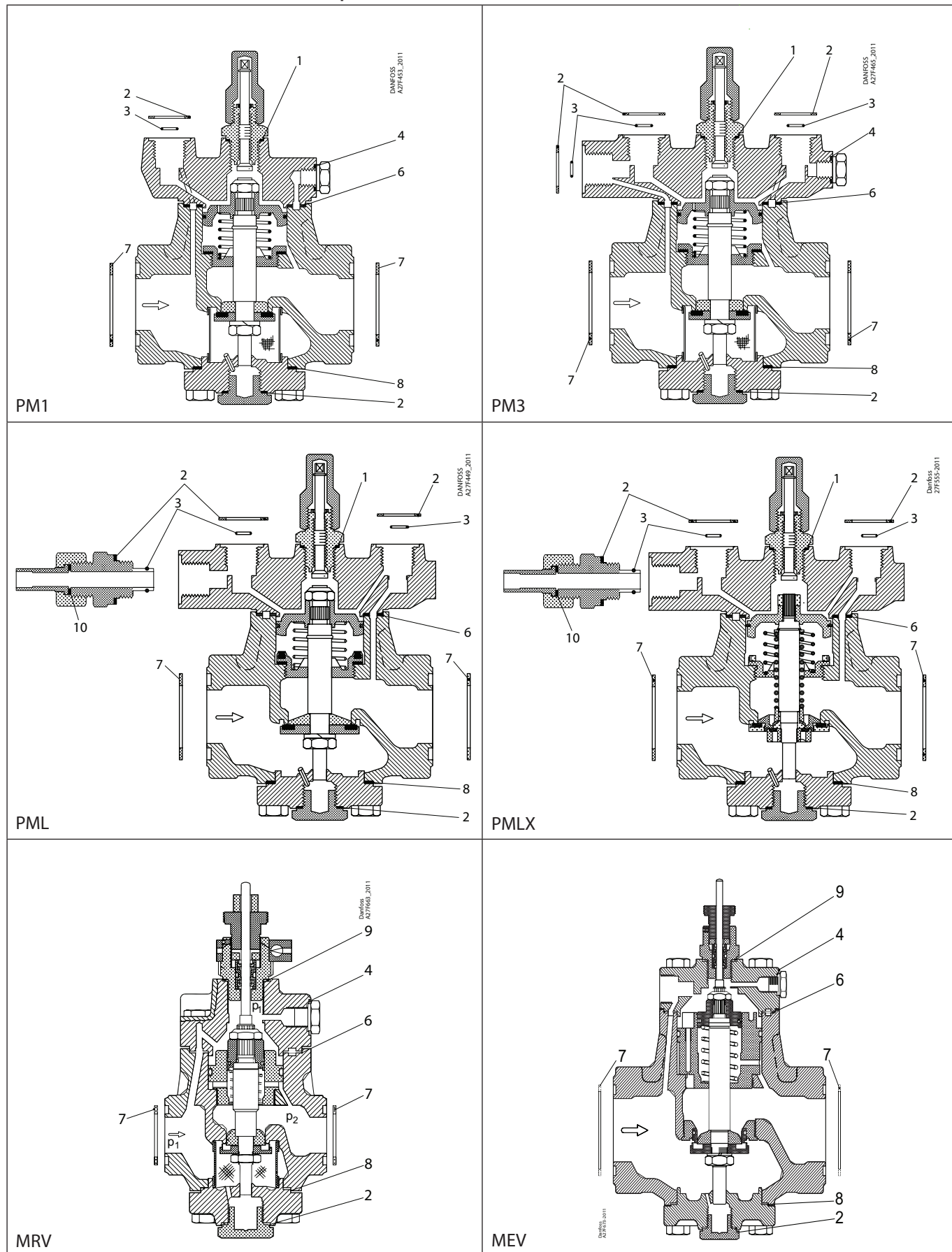


Inspection kit | Code number 027F3076
 PM, PML, PMLX, MRV, size 32 | MEV, PMFH, PMFL, size 125

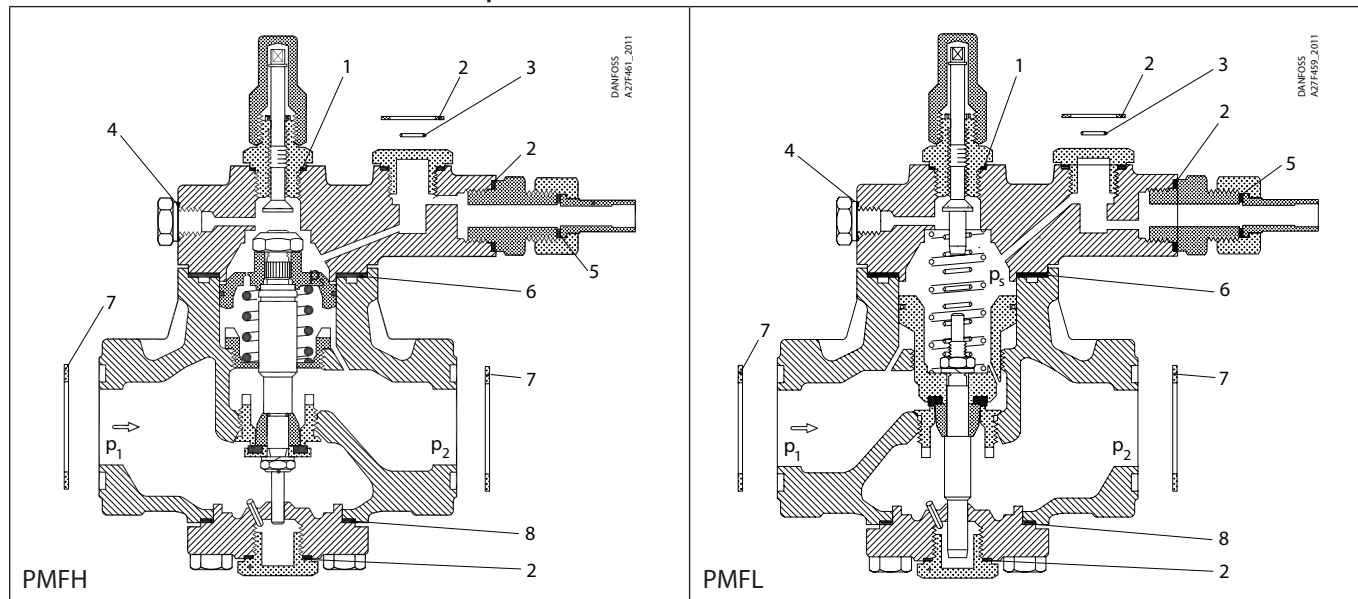


<p>1</p> <p> = Alu.</p> <p>Ø26 mm Ø1.02"</p> <p>Total no. = 1</p>	<p>2</p> <p> = Fibre</p> <p>Ø33 mm Ø1.28"</p> <p>Total no. = 4</p>	<p>3</p> <p> = Alu.</p> <p>Ø9 mm Ø0.36"</p> <p>Total no. = 3</p>	<p>4</p> <p> = Alu.</p> <p>Ø18 mm Ø0.70"</p> <p>Total no. = 1</p>
<p>5</p> <p> = Alu.</p> <p>Ø14 mm Ø0.55"</p> <p>Total no. = 1</p>	<p>6</p> <p> = Fibre</p> <p>Ø85 mm Ø3.35"</p> <p>Total no. = 1</p>	<p>7</p> <p> = Fibre</p> <p>Ø58 mm Ø2.28"</p> <p>Total no. = 2</p>	<p>8</p> <p> = Fibre</p> <p>Ø70 mm Ø2.76"</p> <p>Total no. = 1</p>
<p>9</p> <p> = Alu.</p> <p>Ø32 mm Ø1.26"</p> <p>Total no. = 1</p>	<p>10</p> <p> = Alu.</p> <p>Ø22 mm Ø0.87"</p> <p>Total no. = 1</p>		

Inspection kit | Code number 027F3077
 PM, PML, PMLX, MRV, size 40 | MEV, PMFH, PMFL, size 200

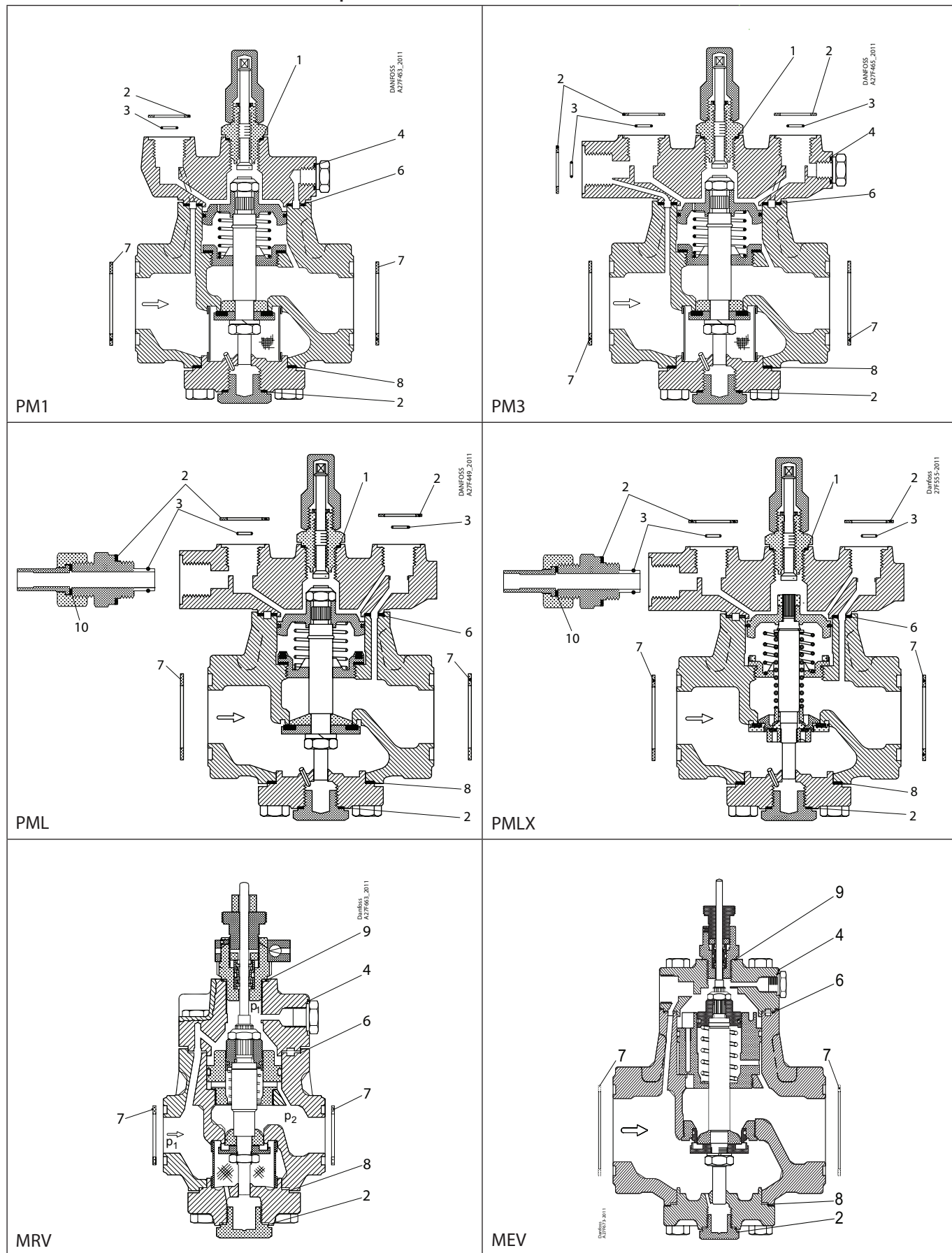


Inspection kit | Code number 027F3077
PM, PML, PMLX, MRV, size 40 | MEV, PMFH, PMFL, size 200

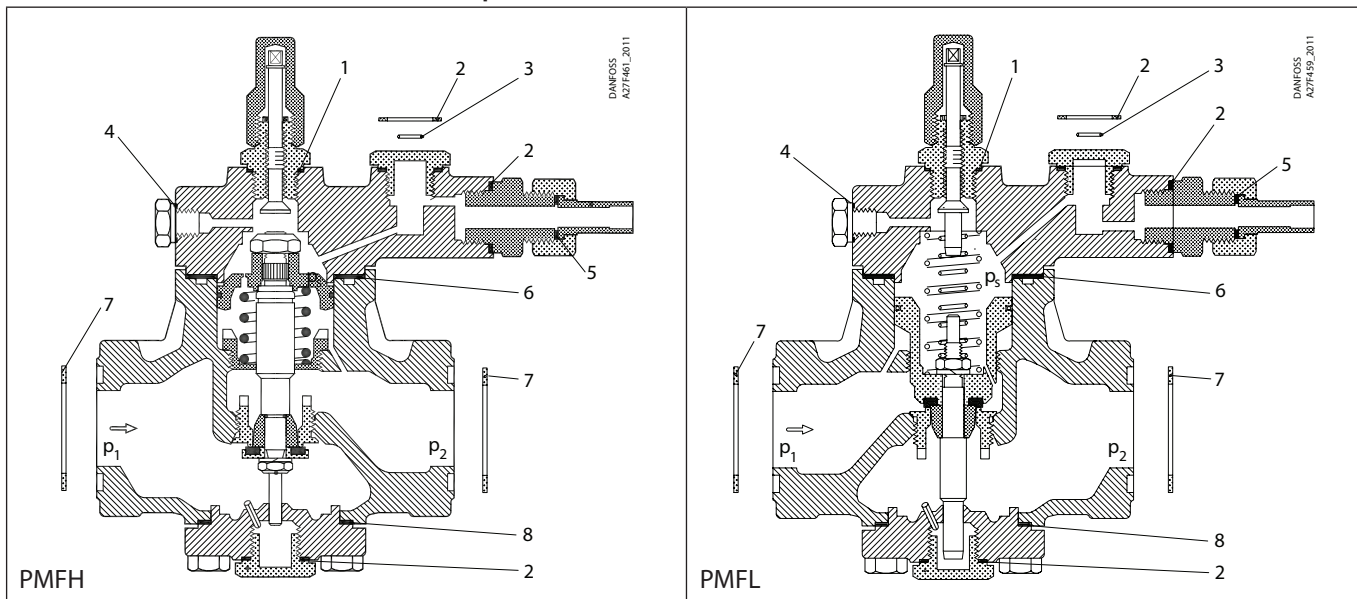


<p>1</p> <p>▨ = Alu.</p> <p>Ø26 mm Ø1.02"</p> <p>Total no. = 1</p>	<p>2</p> <p>▨ = Fibre</p> <p>Ø33 mm Ø1.28"</p> <p>Total no. = 4</p>	<p>3</p> <p>▨</p> <p>Ø9 mm Ø0.36"</p> <p>Total no. = 3</p>	<p>4</p> <p>▨ = Alu.</p> <p>Ø18 mm Ø0.70"</p> <p>Total no. = 1</p>
<p>5</p> <p>▨ = Alu.</p> <p>Ø14 mm Ø0.55"</p> <p>Total no. = 1</p>	<p>6</p> <p>▨ = Fibre</p> <p>Ø93 mm Ø3.66"</p> <p>Total no. = 1</p>	<p>7</p> <p>▨ = Fibre</p> <p>Ø65 mm Ø2.56"</p> <p>Total no. = 2</p>	<p>8</p> <p>▨ = Fibre</p> <p>Ø78 mm Ø3.07"</p> <p>Total no. = 1</p>
<p>9</p> <p>▨ = Alu.</p> <p>Ø32 mm Ø1.26"</p> <p>Total no. = 1</p>	<p>10</p> <p>▨ = Alu.</p> <p>Ø22 mm Ø0.87"</p> <p>Total no. = 1</p>		

Inspection kit | Code number 027F3078
 PM, PML, PMLX, MRV, size 50 | MEV, PMFH, PMFL, size 300

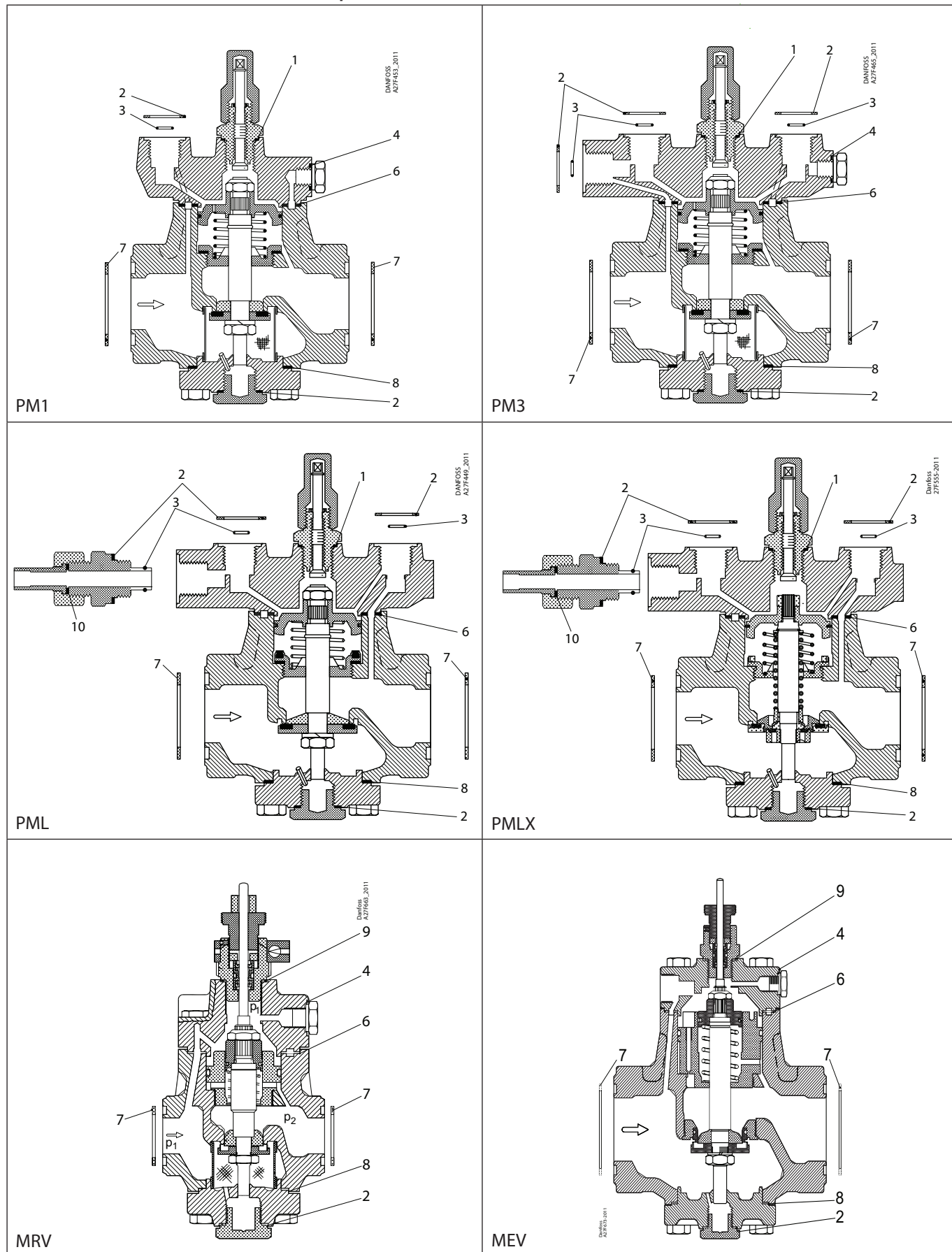


Inspection kit | Code number 027F3078
 PM, PML, PMLX, MRV, size 50 | MEV, PMFH, PMFL, size 300

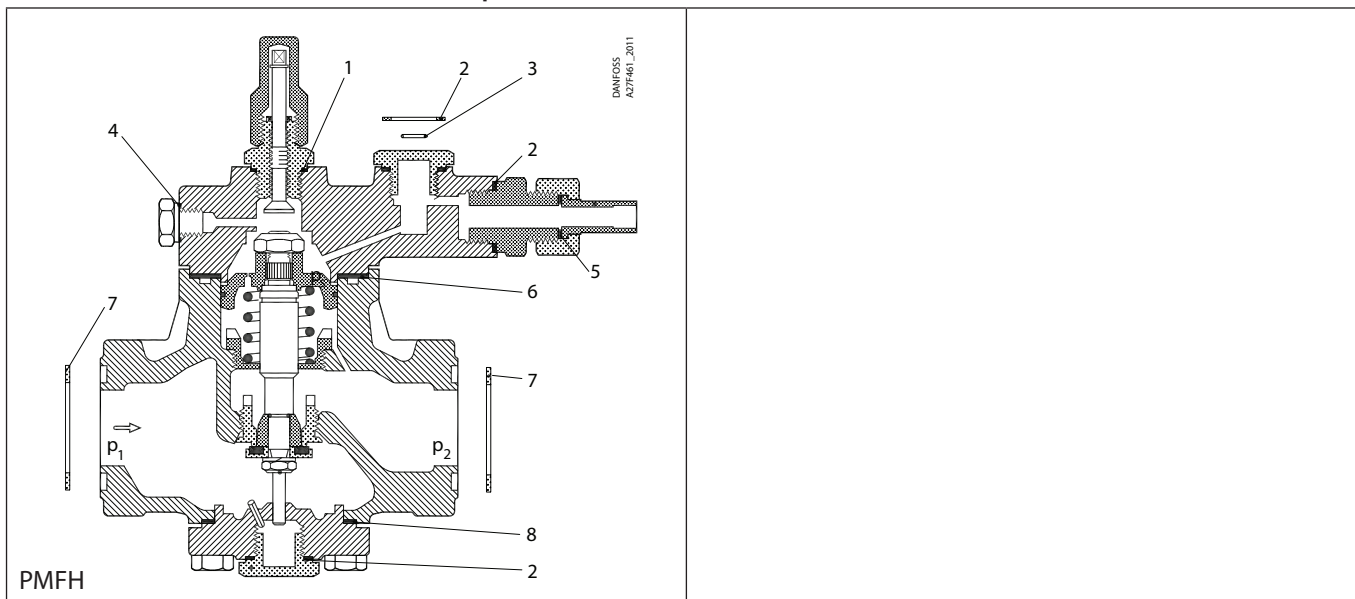


<p>1</p> <p>▨ = Alu.</p> <p>Ø26 mm Ø1.02"</p> <p>Total no. = 1</p>	<p>2</p> <p>▨ = Fibre</p> <p>Ø33 mm Ø1.28"</p> <p>Total no. = 4</p>	<p>3</p> <p>Ø9 mm Ø0.36"</p> <p>Total no. = 3</p>	<p>4</p> <p>▨ = Alu.</p> <p>Ø18 mm Ø0.70"</p> <p>Total no. = 1</p>
<p>5</p> <p>▨ = Alu.</p> <p>Ø14 mm Ø0.55"</p> <p>Total no. = 1</p>	<p>6</p> <p>▨ = Fibre</p> <p>Ø105 mm Ø4.13"</p> <p>Total no. = 1</p>	<p>7</p> <p>▨ = Fibre</p> <p>Ø76 mm Ø2.99"</p> <p>Total no. = 2</p>	<p>8</p> <p>▨ = Fibre</p> <p>Ø92 mm Ø3.62"</p> <p>Total no. = 1</p>
<p>9</p> <p>▨ = Alu.</p> <p>Ø32 mm Ø1.26"</p> <p>Total no. = 1</p>	<p>10</p> <p>▨ = Alu.</p> <p>Ø22 mm Ø0.87"</p> <p>Total no. = 1</p>		

Inspection kit | Code number 027F3079
 PM, PML, PMLX, MRV, size 65 | MEV, PMFH, size 500

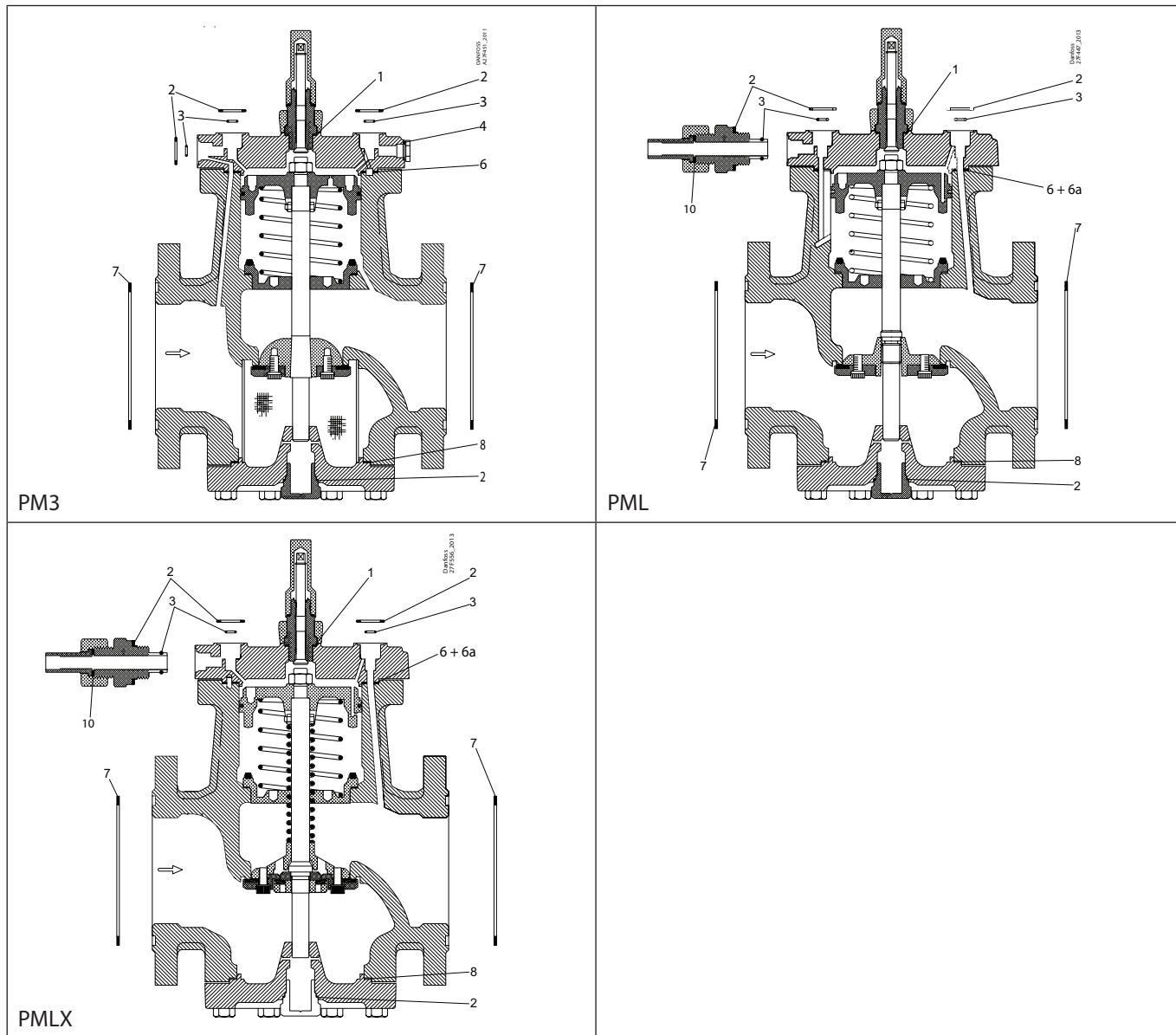


Inspection kit | Code number 027F3079
 PM, PML, PMLX, MRV, size 65 | MEV, PMFH, size 500



<p>1</p> <p>▨ = Alu.</p> <p>Total no. = 1</p>	<p>2</p> <p>▨ = Fibre</p> <p>Total no. = 4</p>	<p>3</p> <p>▨ = Alu.</p> <p>Total no. = 3</p>	<p>4</p> <p>▨ = Alu.</p> <p>Total no. = 1</p>
<p>5</p> <p>▨ = Alu.</p> <p>Total no. = 1</p>	<p>6</p> <p>▨ = Fibre</p> <p>Total no. = 1</p>	<p>7</p> <p>▨ = Fibre</p> <p>Total no. = 2</p>	<p>8</p> <p>▨ = Fibre</p> <p>Total no. = 1</p>
<p>9</p> <p>▨ = Alu.</p> <p>Total no. = 1</p>	<p>10</p> <p>▨ = Alu.</p> <p>Total no. = 1</p>		

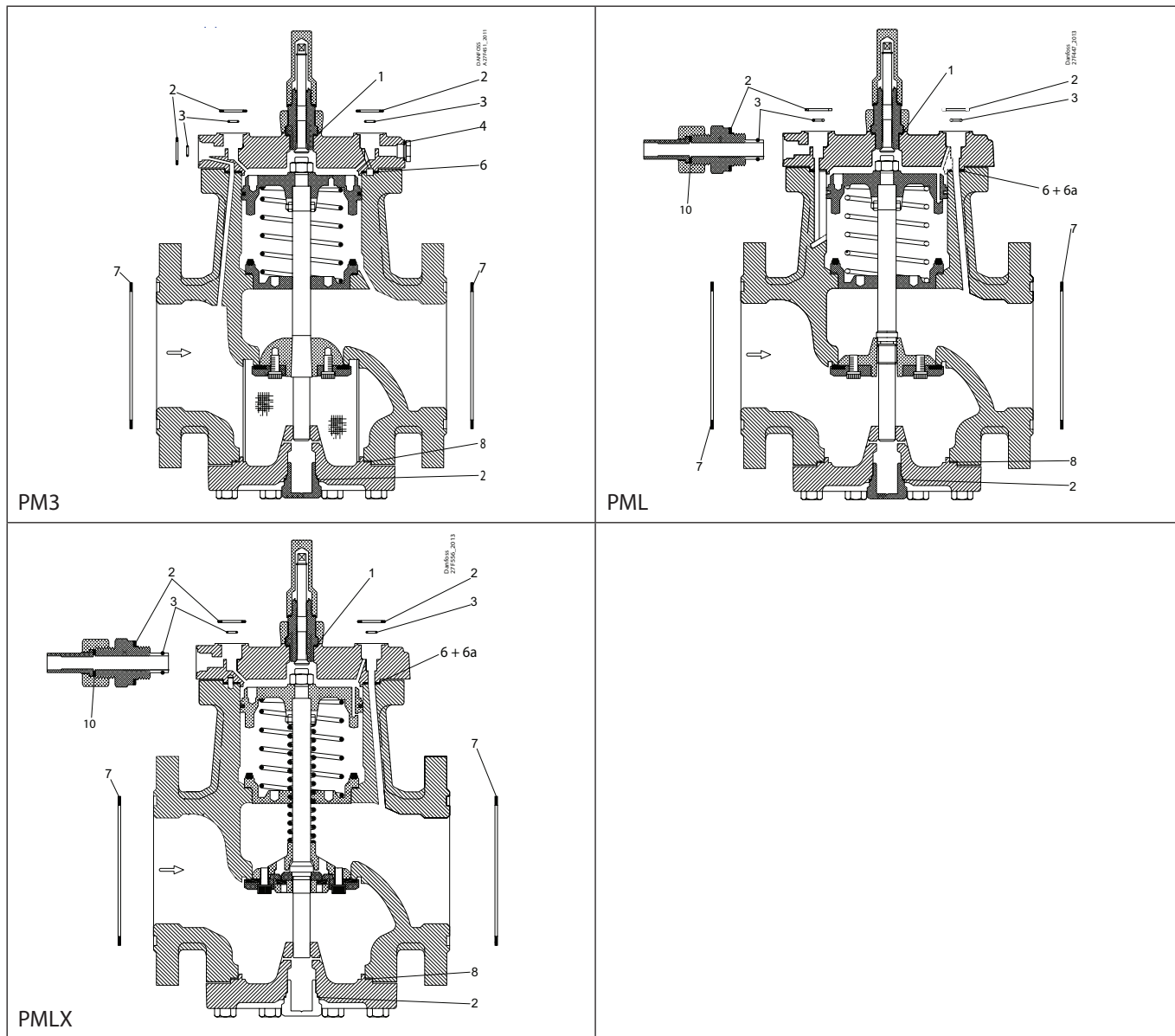
Inspection kit | Code number 027F3091 PM, PML, PMLX, size 80



<p>1</p> <p> = Alu.</p> <p>Ø26 mm Ø1.02"</p> <p>Total no. = 1</p>	<p>2</p> <p> = Fibre</p> <p>Ø33 mm Ø1.28"</p> <p>Total no. = 4</p>	<p>3</p> <p> = Alu.</p> <p>Ø9 mm Ø0.36"</p> <p>Total no. = 3</p>	<p>4</p> <p> = Alu.</p> <p>Ø18 mm Ø0.70"</p> <p>Total no. = 1</p>	<p>5*</p> <p> = Alu.</p> <p>Ø14 mm Ø0.55"</p> <p>Total no. = 1</p>	<p>6</p> <p> = Fibre</p> <p>Ø154 mm Ø6.06"</p> <p>Total no. = 1</p>
<p>6a</p> <p> = Fibre</p> <p>Ø154 mm Ø6.06"</p> <p>Total no. = 1</p>	<p>7</p> <p> = Fibre</p> <p>Ø149 mm Ø5.87"</p> <p>Total no. = 2</p>	<p>8</p> <p> = Fibre</p> <p>Ø134 mm Ø5.28"</p> <p>Total no. = 1</p>	<p>9*</p> <p> = Alu.</p> <p>Ø32 mm Ø1.26"</p> <p>Total no. = 1</p>	<p>10</p> <p> = Alu.</p> <p>Ø22 mm Ø0.87"</p> <p>Total no. = 1</p>	

* The spare part is included in the package but is not used for PM, PML, PMLX 100

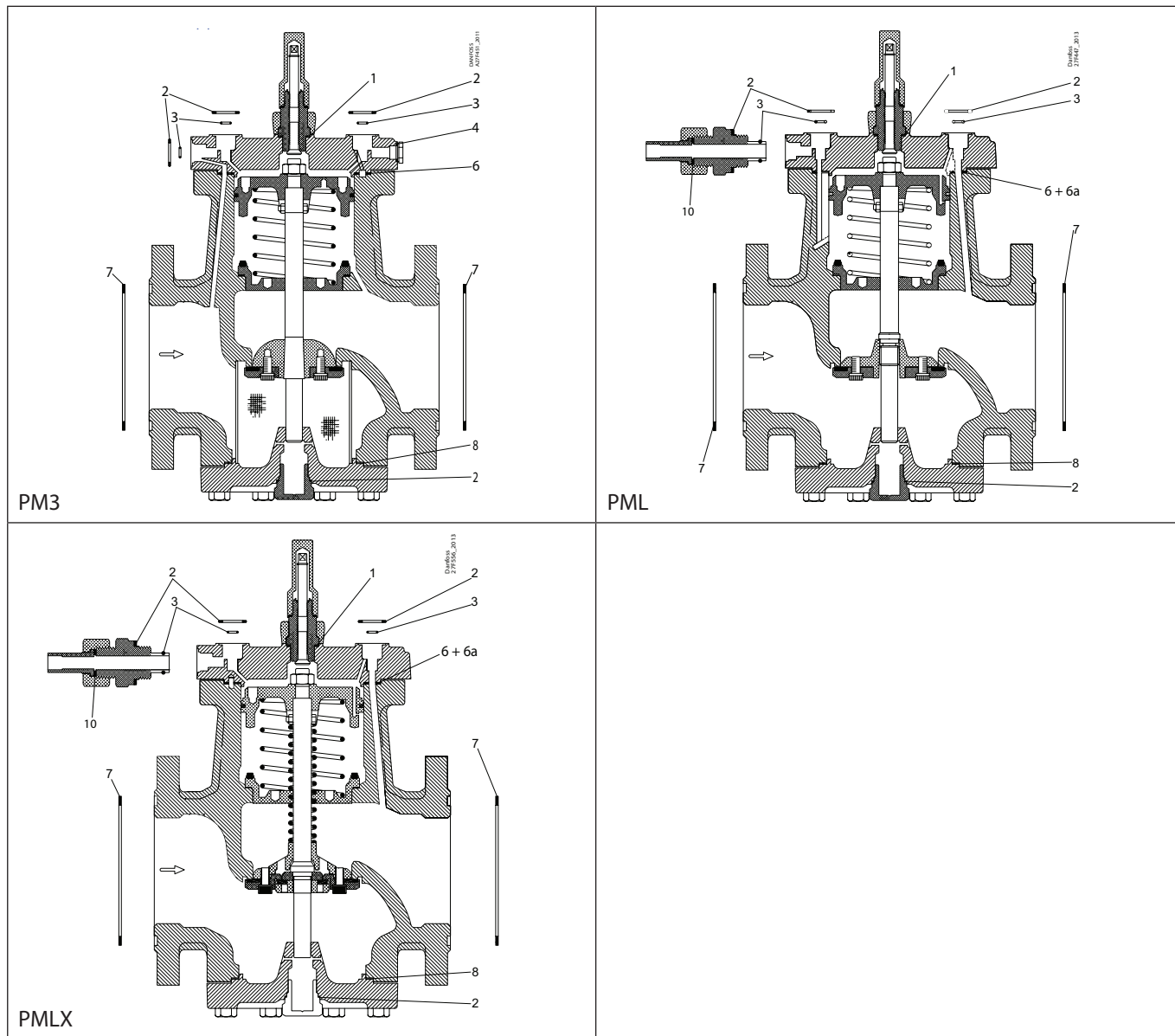
Inspection kit | Code number 027F3092
PM, PML, PMLX, size 100



<p>1</p> <p> = Alu.</p> <p>Ø26 mm Ø1.02"</p> <p>Total no. = 1</p>	<p>2</p> <p> = Fibre</p> <p>Ø33 mm Ø1.28"</p> <p>Total no. = 4</p>	<p>3</p> <p>Ø9 mm Ø0.36"</p> <p>Total no. = 3</p>	<p>4</p> <p> = Alu.</p> <p>Ø18 mm Ø0.70"</p> <p>Total no. = 1</p>	<p>5*</p> <p> = Alu.</p> <p>Ø14 mm Ø0.55"</p> <p>Total no. = 1</p>	<p>6</p> <p> = Fibre</p> <p>Ø185 mm Ø7.28"</p> <p>Total no. = 1</p>
<p>6a</p> <p> = Fibre</p> <p>Ø185 mm Ø7.28"</p> <p>Total no. = 1</p>	<p>7</p> <p> = Fibre</p> <p>Ø175 mm Ø6.89"</p> <p>Total no. = 2</p>	<p>8</p> <p> = Fibre</p> <p>Ø168 mm Ø6.61"</p> <p>Total no. = 1</p>	<p>9*</p> <p> = Alu.</p> <p>Ø32 mm Ø1.26"</p> <p>Total no. = 1</p>	<p>10</p> <p> = Alu.</p> <p>Ø22 mm Ø0.87"</p> <p>Total no. = 1</p>	

* The spare part is included in the package but is not used for PM, PML, PMLX 100

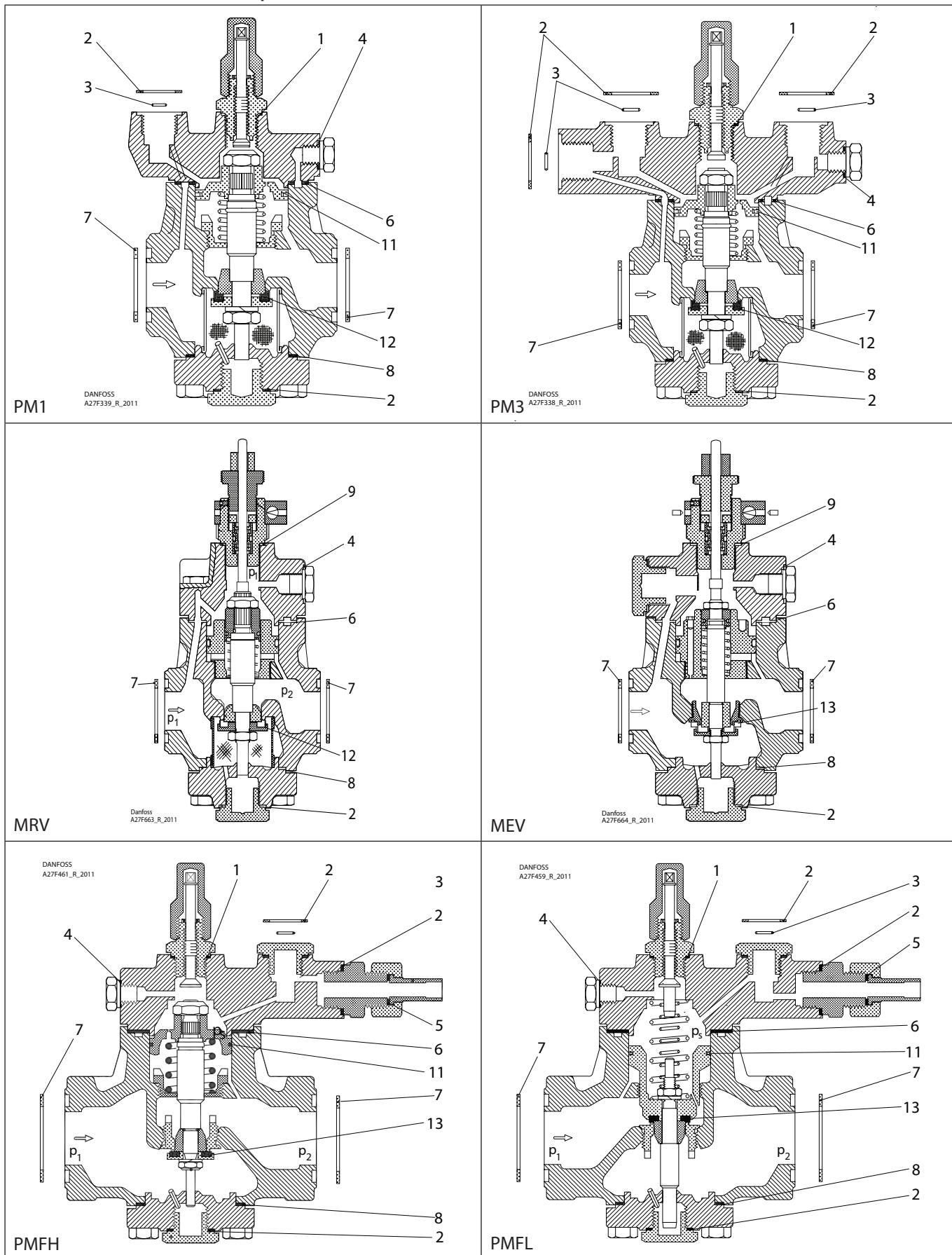
Inspection kit | Code number 027F3093
PM, PML, PMLX, size 125



<p>1</p> <p>▨ = Alu.</p> <p>Ø26 mm Ø1.02"</p> <p>Total no. = 1</p>	<p>2</p> <p>▨ = Fibre</p> <p>Ø33 mm Ø1.28"</p> <p>Total no. = 4</p>	<p>3</p> <p>▨</p> <p>Ø9 mm Ø0.36"</p> <p>Total no. = 3</p>	<p>4</p> <p>▨ = Alu.</p> <p>Ø18 mm Ø0.70"</p> <p>Total no. = 1</p>	<p>5 *</p> <p>▨ = Alu.</p> <p>Ø14 mm Ø0.55"</p> <p>Total no. = 1</p>	<p>6</p> <p>▨ = Fibre</p> <p>Ø221 mm Ø8.7"</p> <p>Total no. = 1</p>
<p>6a</p> <p>▨ = Fibre</p> <p>Ø221 mm Ø8.7"</p> <p>Total no. = 1</p>	<p>7</p> <p>▨ = Fibre</p> <p>Ø203 mm Ø7.99"</p> <p>Total no. = 2</p>	<p>8</p> <p>▨ = Fibre</p> <p>Ø196 mm Ø7.72"</p> <p>Total no. = 1</p>	<p>9 *</p> <p>▨ = Alu.</p> <p>Ø32 mm Ø1.26"</p> <p>Total no. = 1</p>	<p>10</p> <p>▨ = Alu.</p> <p>Ø22 mm Ø0.87"</p> <p>Total no. = 1</p>	

* The spare part is included in the package but is not used for PM, PML, PMLX 125

Repair kit | Code number 027F3150
 PM, MRV, size 5 to 25 | MEV, PMFH, PMFL, sizes 80-1 to 80-7

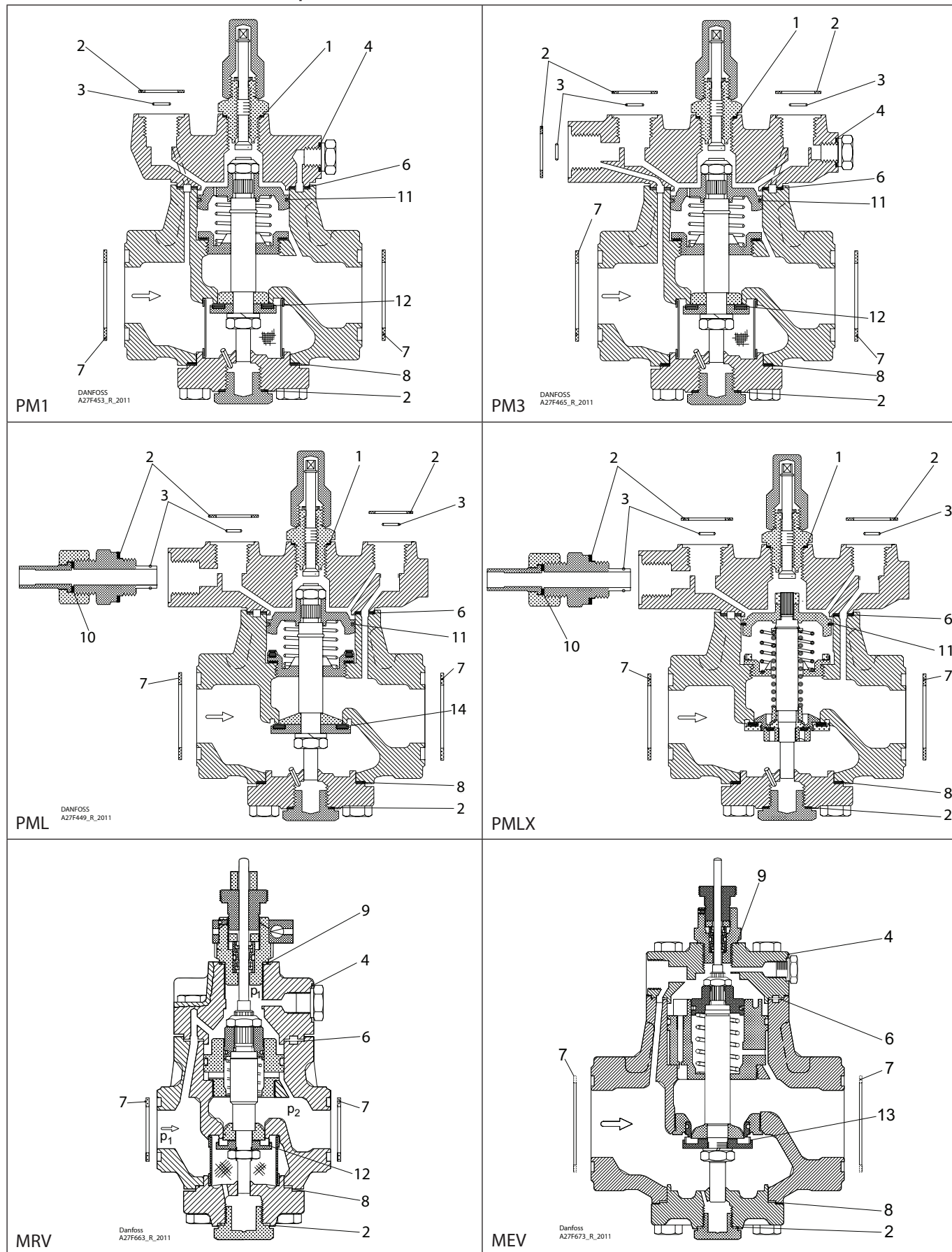


Repair kit | Code number 027F3150
 PM, MRV, size 5 to 25 | MEV, PMFH, PMFL, sizes 80-1 to 80-7

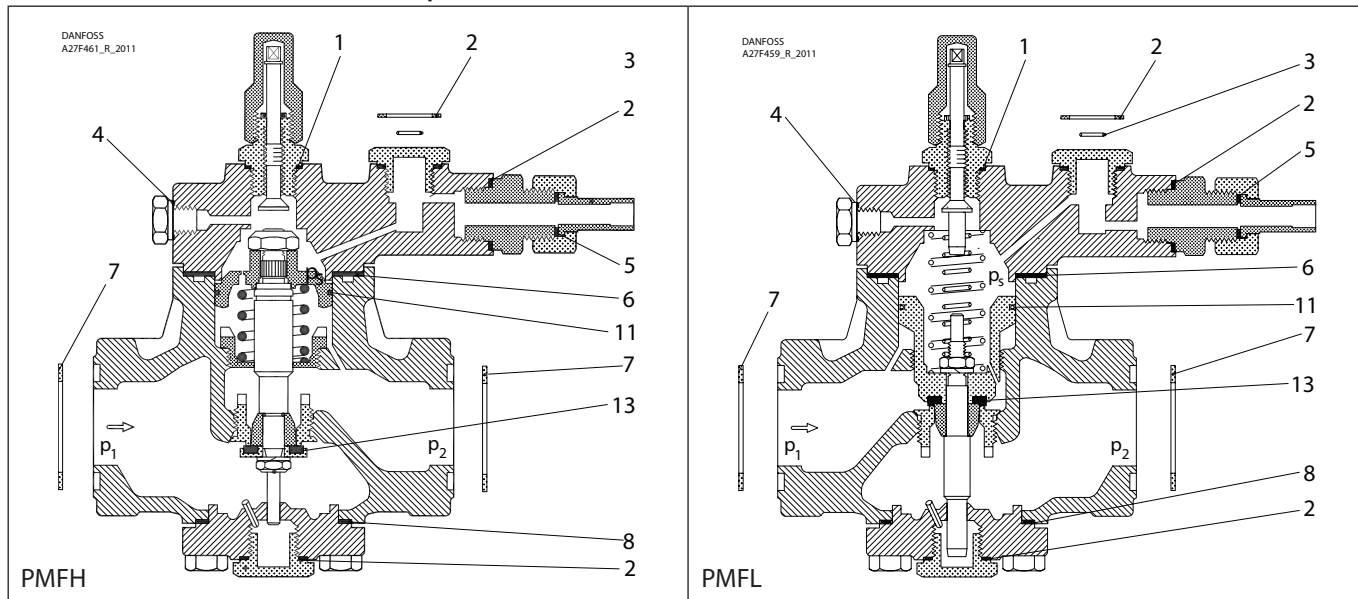
<p>1</p> <p> = Alu.</p> <p>Total no. = 1</p>	<p>2</p> <p> = Fibre</p> <p>Total no. = 4</p>	<p>3</p> <p></p> <p>Total no. = 3</p>	<p>4</p> <p> = Alu.</p> <p>Total no. = 1</p>	<p>5</p> <p> = Alu.</p> <p>Total no. = 1</p>	<p>6</p> <p> = Fibre</p> <p>Total no. = 1</p>
<p>7</p> <p> = Fibre</p> <p>Total no. = 2</p>	<p>8</p> <p> = Fibre</p> <p>Total no. = 1</p>	<p>9</p> <p> = Alu.</p> <p>Total no. = 1</p>	<p>10*</p> <p> = Alu.</p> <p>Total no. = 1</p>	<p>11</p> <p></p> <p>Total no. = 1</p>	<p>12</p> <p></p> <p>Total no. = 1</p>
<p>13</p> <p></p> <p>Total no. = 1</p>	<p>14</p> <p></p> <p>Total no. = 1</p>				

* The spare part is included in the package but is not used for PM, MRV 5 to 25 or MEV, PMFH, PMFL 80-1 to 80-7

Repair kit | Code number 027F3152
 PM, PML/X, MRV, size 32 | MEV, PMFH/L, size 125

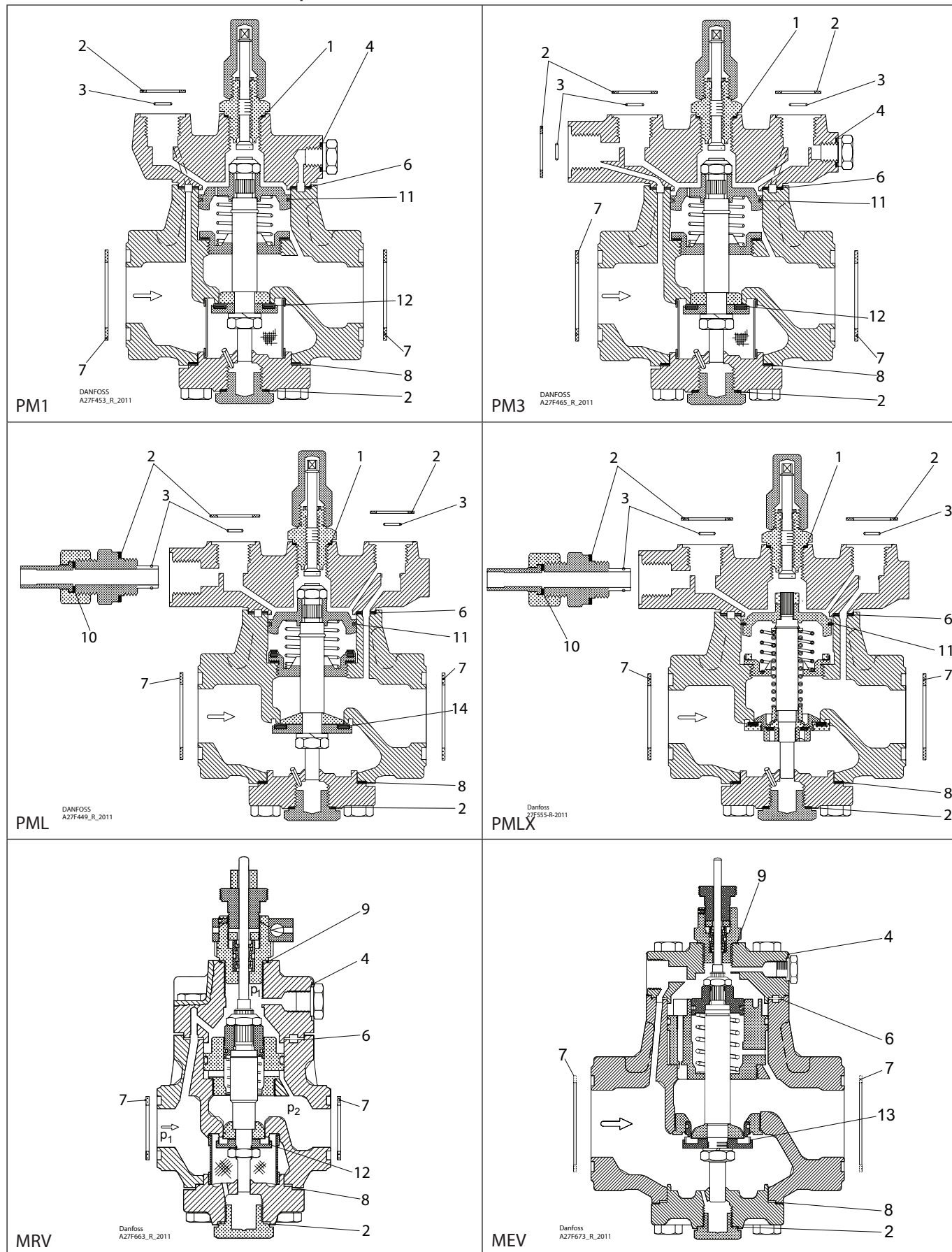


Repair kit | Code number 027F3152
 PM, PML/X, MRV, size 32 | MEV, PMFH/L, size 125

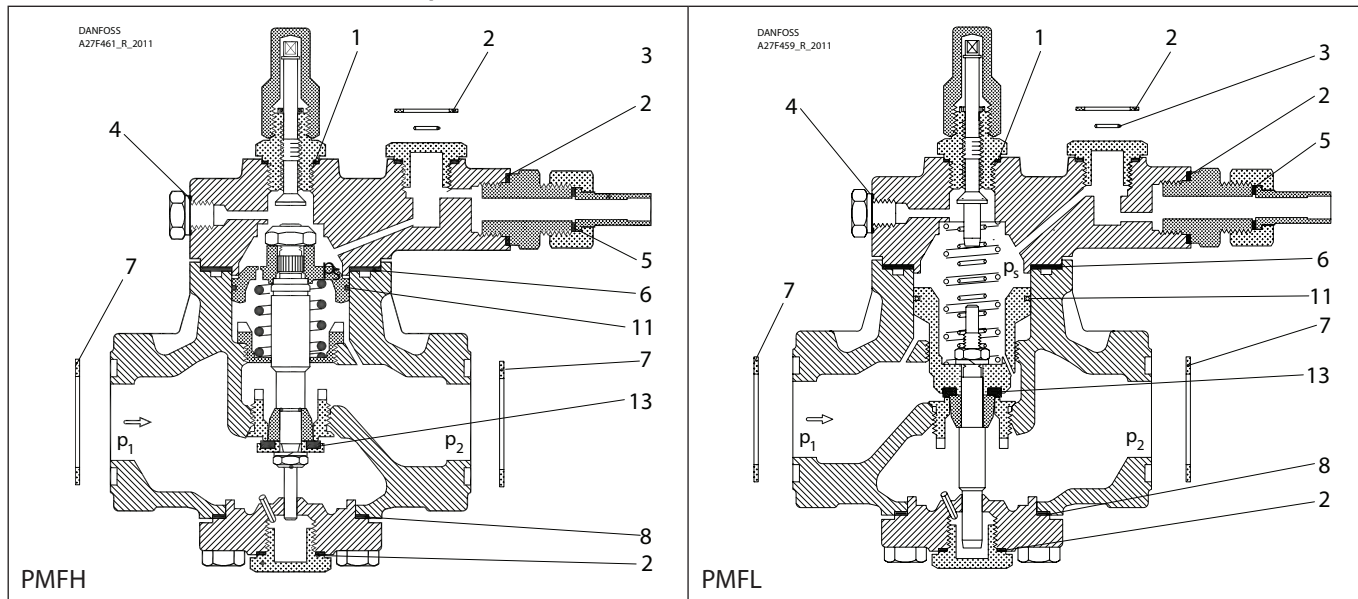


<p>1</p> <p> = Alu.</p> <p>$\frac{\varnothing 26 \text{ mm}}{\varnothing 1.02''}$</p> <p>Total no. = 1</p>	<p>2</p> <p> = Fibre</p> <p>$\frac{\varnothing 33 \text{ mm}}{\varnothing 1.28''}$</p> <p>Total no. = 4</p>	<p>3</p> <p> = Alu.</p> <p>$\frac{\varnothing 9 \text{ mm}}{\varnothing 0.36''}$</p> <p>Total no. = 3</p>	<p>4</p> <p> = Alu.</p> <p>$\frac{\varnothing 18 \text{ mm}}{\varnothing 0.70''}$</p> <p>Total no. = 1</p>	<p>5</p> <p> = Alu.</p> <p>$\frac{\varnothing 14 \text{ mm}}{\varnothing 0.55''}$</p> <p>Total no. = 1</p>	<p>6</p> <p> = Fibre</p> <p>$\frac{\varnothing 85 \text{ mm}}{\varnothing 3.35''}$</p> <p>Total no. = 1</p>
<p>7</p> <p> = Fibre</p> <p>$\frac{\varnothing 58 \text{ mm}}{\varnothing 2.28''}$</p> <p>Total no. = 2</p>	<p>8</p> <p> = Fibre</p> <p>$\frac{\varnothing 70 \text{ mm}}{\varnothing 2.76''}$</p> <p>Total no. = 1</p>	<p>9</p> <p> = Alu.</p> <p>$\frac{\varnothing 32 \text{ mm}}{\varnothing 1.26''}$</p> <p>Total no. = 1</p>	<p>10</p> <p> = Alu.</p> <p>$\frac{\varnothing 22 \text{ mm}}{\varnothing 0.87''}$</p> <p>Total no. = 1</p>	<p>11</p> <p> = Alu.</p> <p>$\frac{\varnothing 60 \text{ mm}}{\varnothing 2.36''}$</p> <p>Total no. = 1</p>	<p>12</p> <p> = Fibre</p> <p>$\frac{\varnothing 32 \text{ mm}}{\varnothing 1.28''}$</p> <p>$\frac{\varnothing 39 \text{ mm}}{\varnothing 1.53''}$</p> <p>Total no. = 1</p>
<p>13</p> <p> = Alu.</p> <p>$\frac{\varnothing 21 \text{ mm}}{\varnothing 0.83''}$</p> <p>$\frac{\varnothing 28 \text{ mm}}{\varnothing 1.1''}$</p> <p>Total no. = 1</p>	<p>14</p> <p> = Alu.</p> <p>$\frac{\varnothing 42 \text{ mm}}{\varnothing 1.67''}$</p> <p>$\frac{\varnothing 50 \text{ mm}}{\varnothing 1.96''}$</p> <p>Total no. = 1</p>				

Repair kit | Code number 027F3153
 PM, PML/X, MRV, size 40 | MEV, PMFH/L, size 200

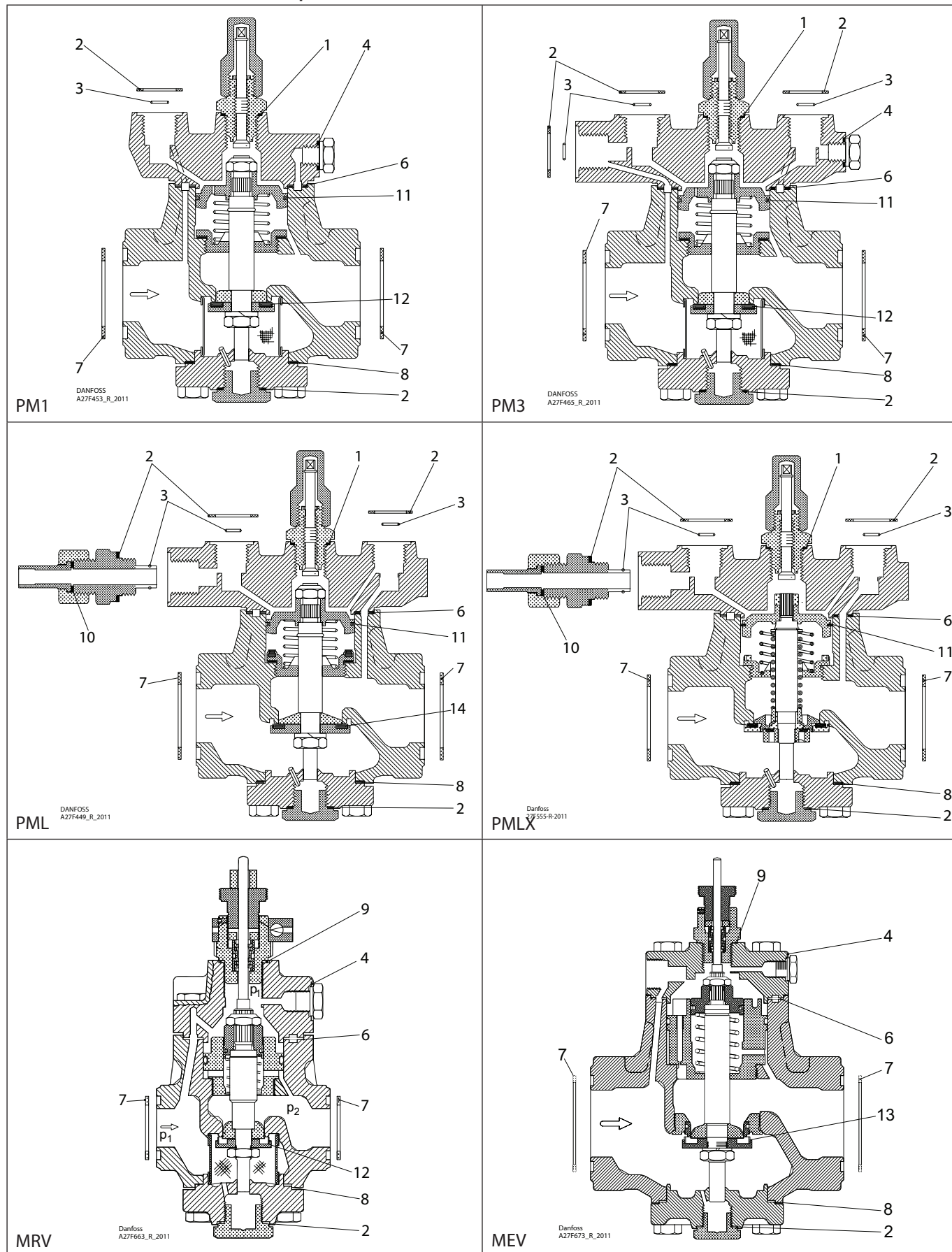


Repair kit | Code number 027F3153
PM, PML/X, MRV, size 40 | MEV, PMFH/L, size 200

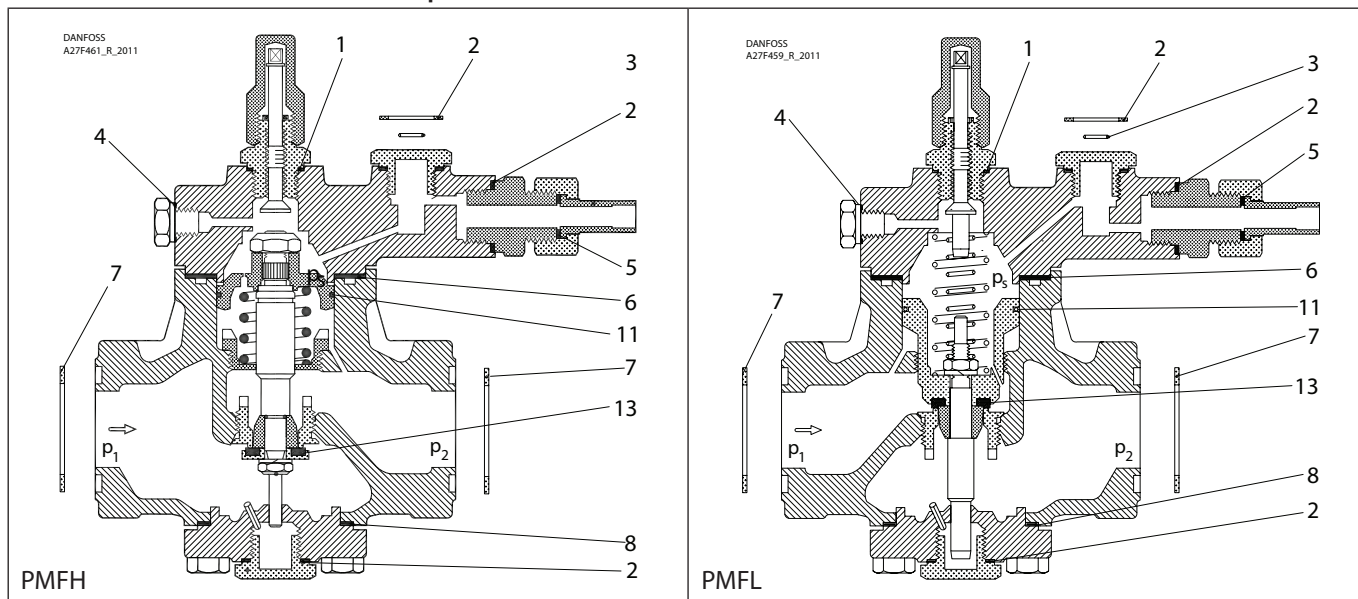


<p>1</p> <p>Alu.</p> <p>Total no. = 1</p>	<p>2</p> <p>Fibre</p> <p>Total no. = 4</p>	<p>3</p> <p>Alu.</p> <p>Total no. = 3</p>	<p>4</p> <p>Alu.</p> <p>Total no. = 1</p>	<p>5</p> <p>Alu.</p> <p>Total no. = 1</p>	<p>6</p> <p>Fibre</p> <p>Total no. = 1</p>
<p>7</p> <p>Fibre</p> <p>Total no. = 2</p>	<p>8</p> <p>Fibre</p> <p>Total no. = 1</p>	<p>9</p> <p>Alu.</p> <p>Total no. = 1</p>	<p>10</p> <p>Alu.</p> <p>Total no. = 1</p>	<p>11</p> <p>Alu.</p> <p>Total no. = 1</p>	<p>12</p> <p>Fibre</p> <p>Total no. = 1</p>
<p>13</p> <p>Alu.</p> <p>Total no. = 1</p>	<p>14</p> <p>Alu.</p> <p>Total no. = 1</p>				

Repair kit | Code number 027F3154
 PM, PML/X, MRV, size 50 | MEV, PMFH/L, size 300

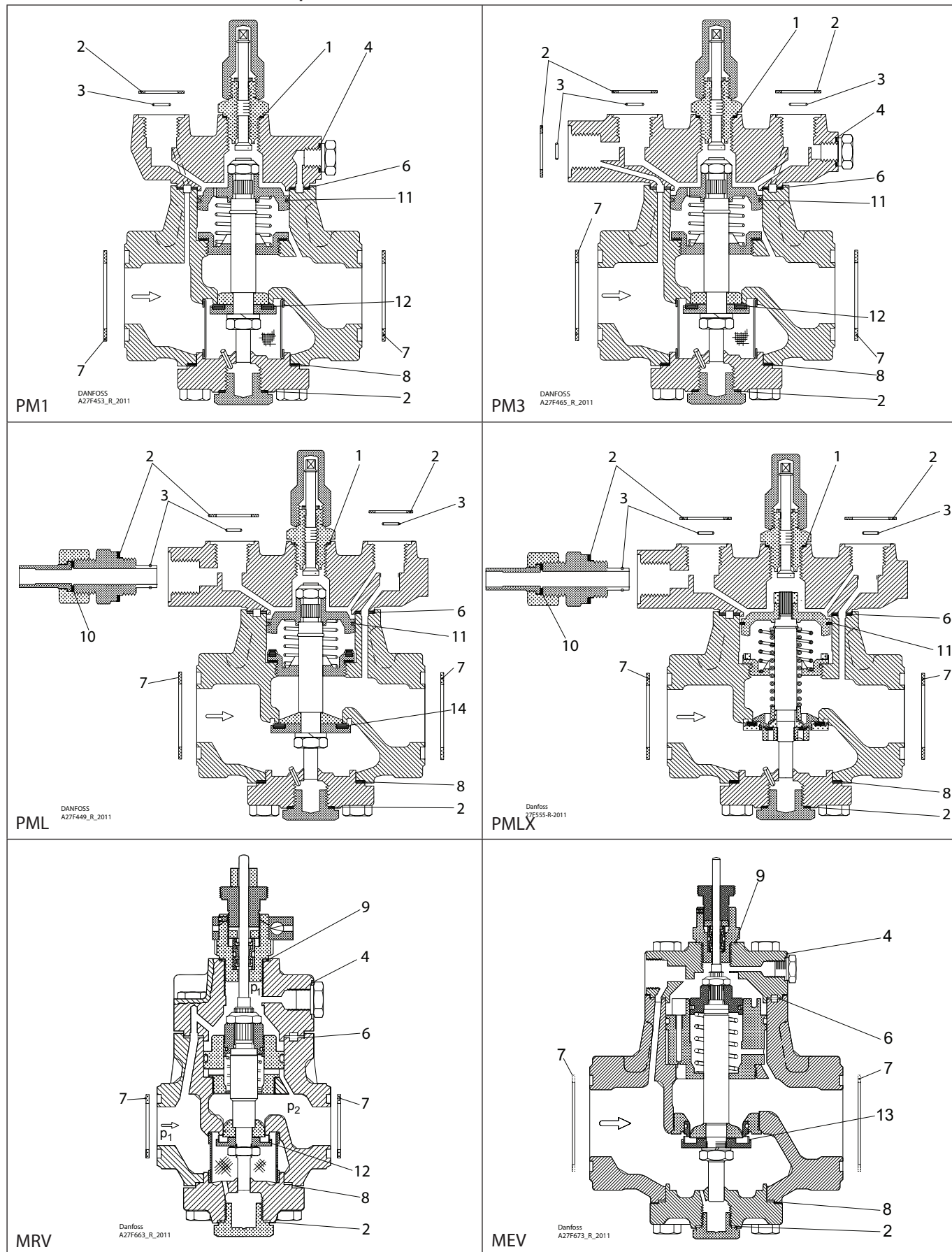


Repair kit | Code number 027F3154
 PM, PML/X, MRV, size 50 | MEV, PMFH/L, size 300

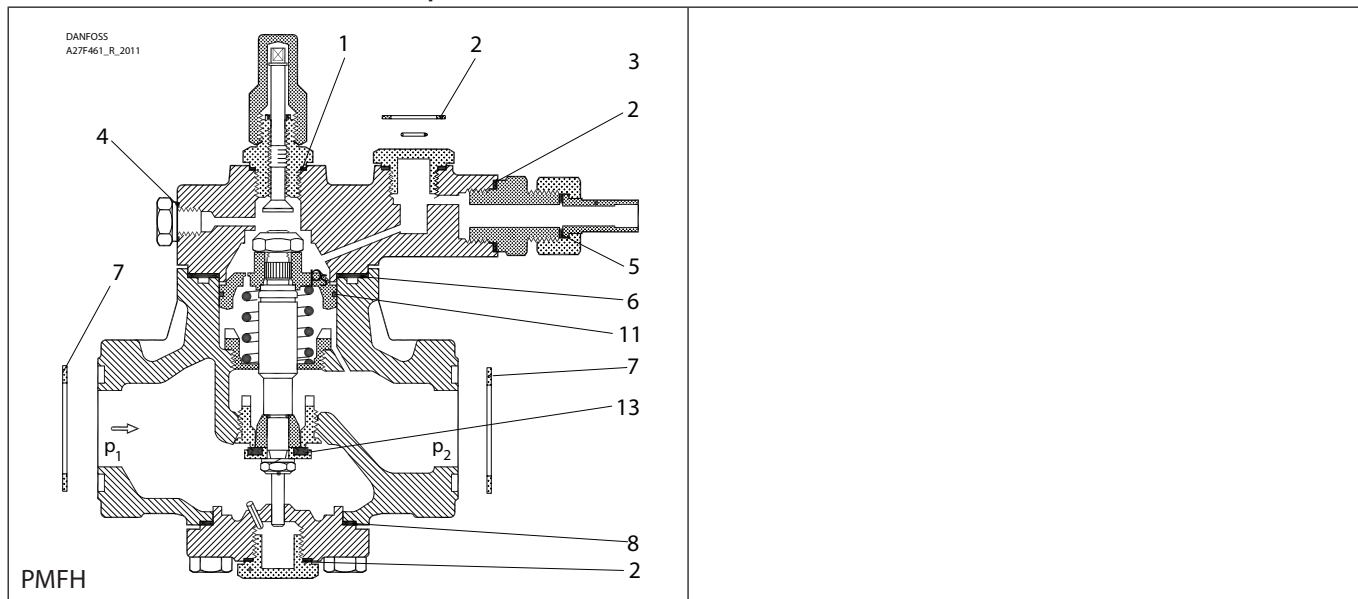


<p>1</p> <p> = Alu.</p> <p>$\frac{\varnothing 26 \text{ mm}}{\varnothing 1.02''}$</p> <p>Total no. = 1</p>	<p>2</p> <p> = Fibre</p> <p>$\frac{\varnothing 33 \text{ mm}}{\varnothing 1.28''}$</p> <p>Total no. = 4</p>	<p>3</p> <p> = Alu.</p> <p>$\frac{\varnothing 9 \text{ mm}}{\varnothing 0.36''}$</p> <p>Total no. = 3</p>	<p>4</p> <p> = Alu.</p> <p>$\frac{\varnothing 18 \text{ mm}}{\varnothing 0.70''}$</p> <p>Total no. = 1</p>	<p>5</p> <p> = Alu.</p> <p>$\frac{\varnothing 14 \text{ mm}}{\varnothing 0.55''}$</p> <p>Total no. = 1</p>	<p>6</p> <p> = Fibre</p> <p>$\frac{\varnothing 105 \text{ mm}}{\varnothing 4.13''}$</p> <p>Total no. = 1</p>
<p>7</p> <p> = Fibre</p> <p>$\frac{\varnothing 76 \text{ mm}}{\varnothing 2.99''}$</p> <p>Total no. = 2</p>	<p>8</p> <p> = Fibre</p> <p>$\frac{\varnothing 92 \text{ mm}}{\varnothing 3.62''}$</p> <p>Total no. = 1</p>	<p>9</p> <p> = Alu.</p> <p>$\frac{\varnothing 32 \text{ mm}}{\varnothing 1.26''}$</p> <p>Total no. = 1</p>	<p>10</p> <p> = Alu.</p> <p>$\frac{\varnothing 22 \text{ mm}}{\varnothing 0.87''}$</p> <p>Total no. = 1</p>	<p>11</p> <p> = Alu.</p> <p>$\frac{\varnothing 80 \text{ mm}}{\varnothing 3.15''}$</p> <p>Total no. = 1</p>	<p>12</p> <p> = Fibre</p> <p>$\frac{\varnothing 50 \text{ mm}}{\varnothing 1.98''}$</p> <p>$\frac{\varnothing 60 \text{ mm}}{\varnothing 2.35''}$</p> <p>Total no. = 1</p>
<p>13</p> <p> = Alu.</p> <p>$\frac{\varnothing 32 \text{ mm}}{\varnothing 1.28''}$</p> <p>$\frac{\varnothing 39 \text{ mm}}{\varnothing 1.53''}$</p> <p>Total no. = 1</p>	<p>14</p> <p> = Alu.</p> <p>$\frac{\varnothing 65 \text{ mm}}{\varnothing 2.57''}$</p> <p>$\frac{\varnothing 73 \text{ mm}}{\varnothing 2.89''}$</p> <p>Total no. = 1</p>				

Repair kit | Code number 027F3155
 PM, PML/X, MRV, size 65 | MEV, PMFH, size 500

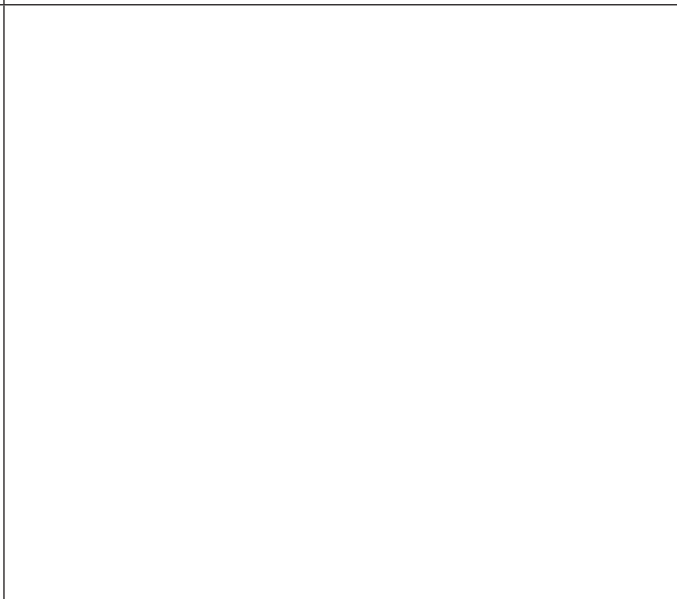
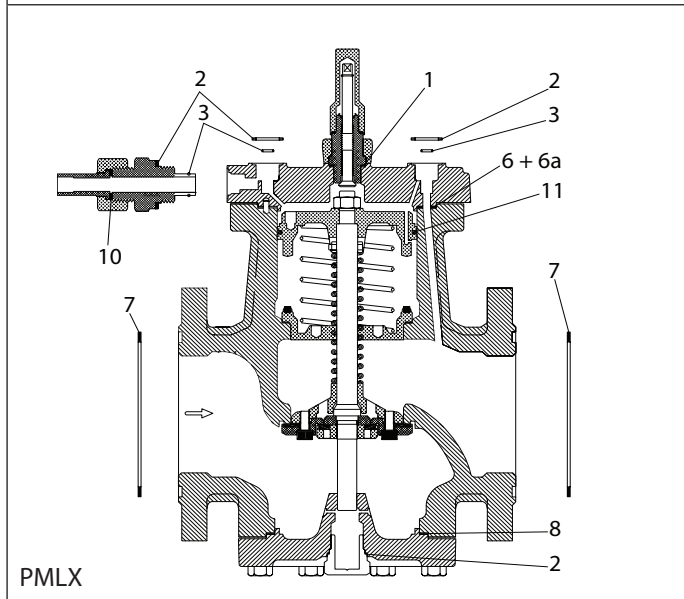
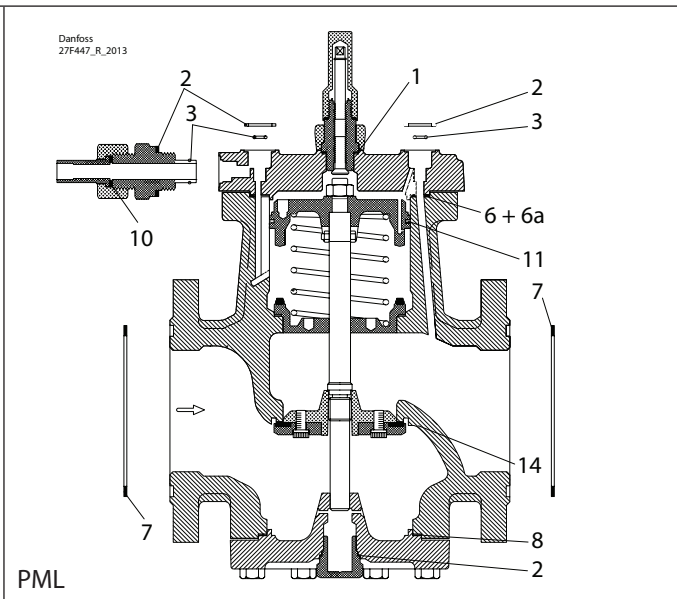
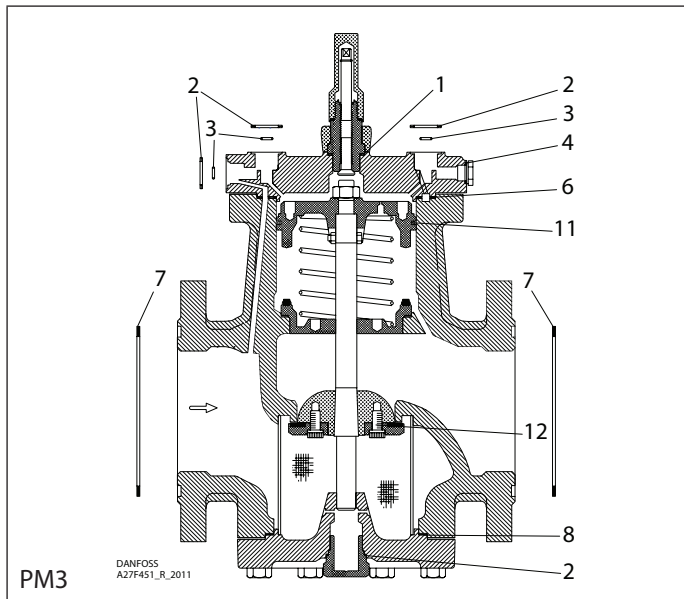


Repair kit | Code number 027F3155
 PM, PML/X, MRV, size 65 | MEV, PMFH, size 500

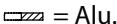
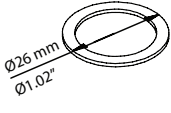
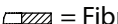
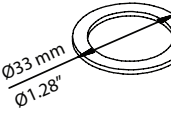
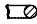
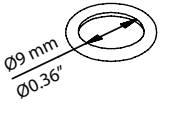
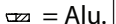
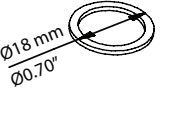
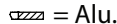
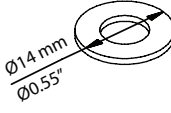
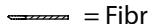
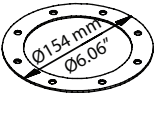


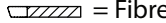
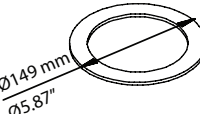
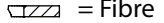
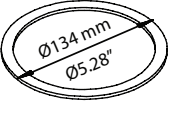
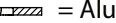
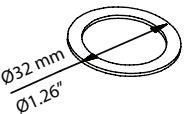
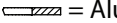
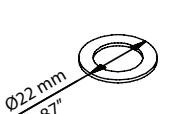
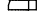
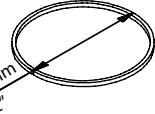
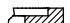
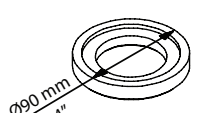

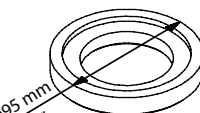


<p>1</p> <p> = Alu.</p> <p>$\varnothing 26 \text{ mm}$ $\varnothing 1.02''$</p> <p>Total no. = 1</p>	<p>2</p> <p> = Fibre</p> <p>$\varnothing 33 \text{ mm}$ $\varnothing 1.28''$</p> <p>Total no. = 4</p>	<p>3</p> <p> = Alu.</p> <p>$\varnothing 9 \text{ mm}$ $\varnothing 0.36''$</p> <p>Total no. = 3</p>	<p>4</p> <p> = Alu.</p> <p>$\varnothing 18 \text{ mm}$ $\varnothing 0.70''$</p> <p>Total no. = 1</p>	<p>5</p> <p> = Alu.</p> <p>$\varnothing 14 \text{ mm}$ $\varnothing 0.55''$</p> <p>Total no. = 1</p>	<p>6</p> <p> = Fibre</p> <p>$\varnothing 127 \text{ mm}$ $\varnothing 5''$</p> <p>Total no. = 1</p>
<p>7</p> <p> = Fibre</p> <p>$\varnothing 87 \text{ mm}$ $\varnothing 3.43''$</p> <p>Total no. = 2</p>	<p>8</p> <p> = Fibre</p> <p>$\varnothing 112 \text{ mm}$ $\varnothing 4.41''$</p> <p>Total no. = 1</p>	<p>9</p> <p> = Alu.</p> <p>$\varnothing 32 \text{ mm}$ $\varnothing 1.26''$</p> <p>Total no. = 1</p>	<p>10</p> <p> = Alu.</p> <p>$\varnothing 22 \text{ mm}$ $\varnothing 0.87''$</p> <p>Total no. = 1</p>	<p>11</p> <p> = Alu.</p> <p>$\varnothing 100 \text{ mm}$ $\varnothing 3.94''$</p> <p>Total no. = 1</p>	<p>12</p> <p> = Fibre</p> <p>$\varnothing 65 \text{ mm}$ $\varnothing 2.57''$</p> <p>$\varnothing 73 \text{ mm}$ $\varnothing 2.89''$</p> <p>Total no. = 1</p>
<p>13</p> <p> = Alu.</p> <p>$\varnothing 42 \text{ mm}$ $\varnothing 1.67''$</p> <p>$\varnothing 50 \text{ mm}$ $\varnothing 1.97''$</p> <p>Total no. = 1</p>	<p>14</p> <p> = Alu.</p> <p>$\varnothing 76 \text{ mm}$ $\varnothing 3.01''$</p> <p>$\varnothing 86 \text{ mm}$ $\varnothing 3.38''$</p> <p>Total no. = 1</p>				

Repair kit | Code number 027F3156
 PM, PML/X, size 80

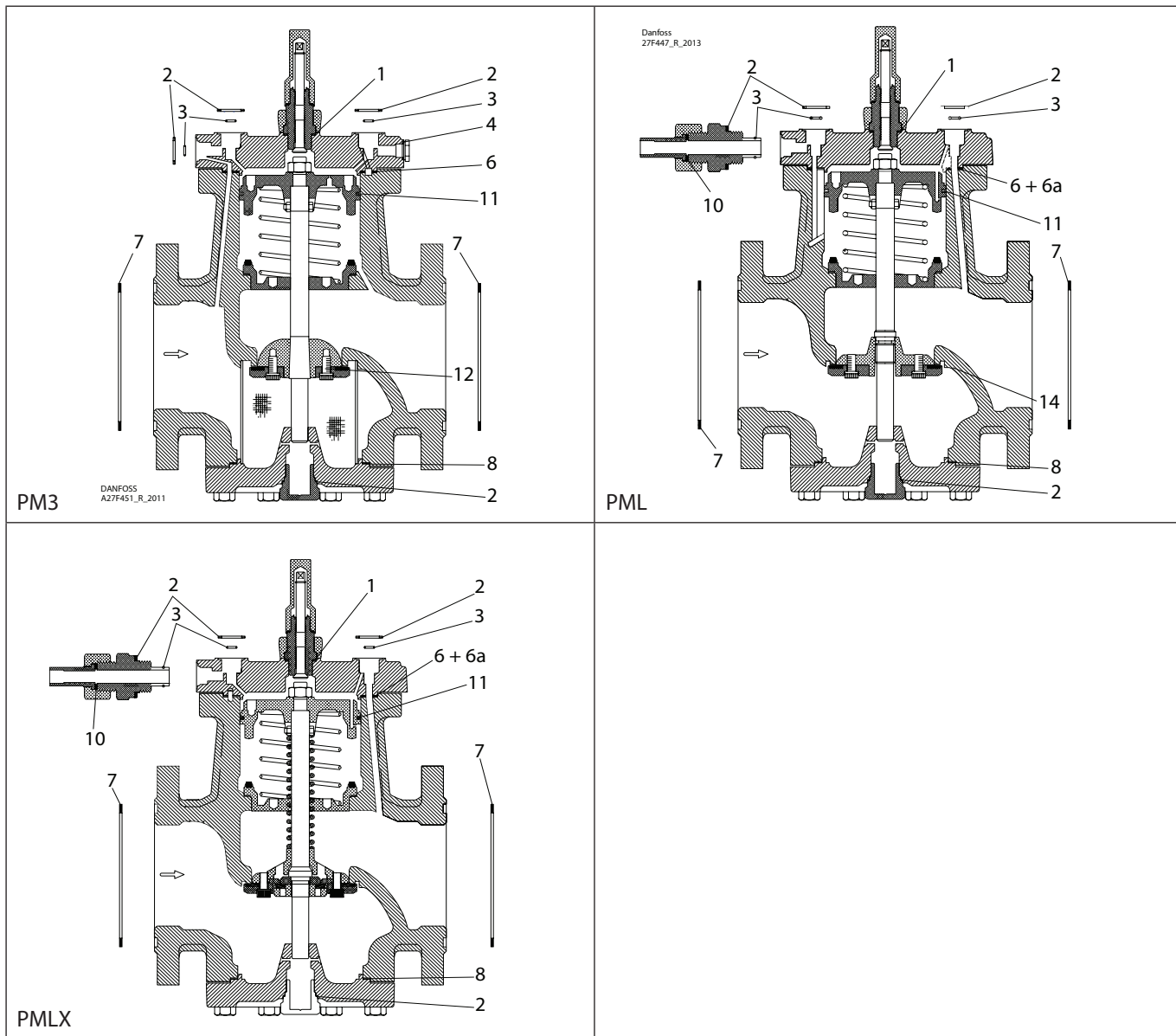


Repair kit | Code number 027F3156
PM, PML/X, size 80

<p>1</p> <p> = Alu.</p>  <p>Total no. = 1</p>	<p>2</p> <p> = Fibre</p>  <p>Total no. = 4</p>	<p>3</p> <p></p>  <p>Total no. = 3</p>	<p>4</p> <p> = Alu.</p>  <p>Total no. = 1</p>	<p>5*</p> <p> = Alu.</p>  <p>Total no. = 1</p>	<p>6</p> <p> = Fibre</p>  <p>Total no. = 1</p>
<p>6a</p> <p> = Fibre</p>  <p>Total no. = 1</p>	<p>7</p> <p> = Fibre</p>  <p>Total no. = 2</p>	<p>8*</p> <p> = Fibre</p>  <p>Total no. = 1</p>	<p>9</p> <p> = Alu.</p>  <p>Total no. = 1</p>	<p>10</p> <p> = Alu.</p>  <p>Total no. = 1</p>	<p>11</p> <p></p>  <p>Total no. = 1</p>
<p>12</p> <p></p>  <p>Total no. = 1</p>	<p>14</p> <p></p>  <p>Total no. = 1</p>				

* The spare part is included in the package but is not used for PM, PML/X 80.

Repair kit | Code number 027F3157
 PM, PML/X, size 100

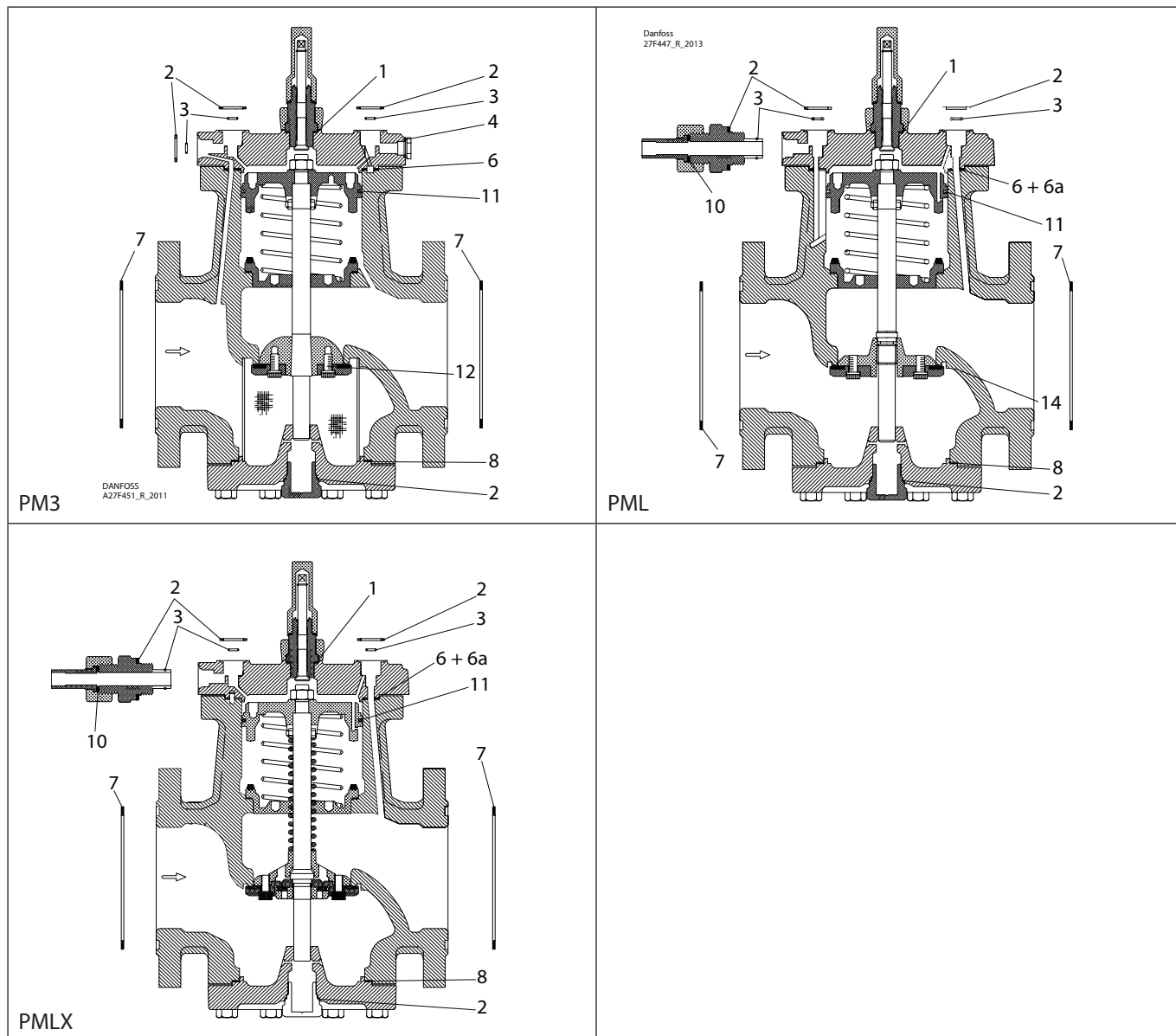


Repair kit | Code number 027F3157
PM, PML/X, size 100

<p>1</p> <p>Total no. = 1</p>	<p>2</p> <p>Total no. = 4</p>	<p>3</p> <p>Total no. = 3</p>	<p>4</p> <p>Total no. = 1</p>	<p>5*</p> <p>Total no. = 1</p>	<p>6</p> <p>Total no. = 1</p>
<p>6a</p> <p>Total no. = 1</p>	<p>7</p> <p>Total no. = 2</p>	<p>8*</p> <p>Total no. = 1</p>	<p>9</p> <p>Total no. = 1</p>	<p>10</p> <p>Total no. = 1</p>	<p>11</p> <p>Total no. = 1</p>
<p>12</p> <p>Total no. = 1</p>	<p>14</p> <p>Total no. = 1</p>				

* The spare part is included in the package but is not used for PM, PML/X 100.

Repair kit | Code number 027F3158
PM, PML/X, size 125

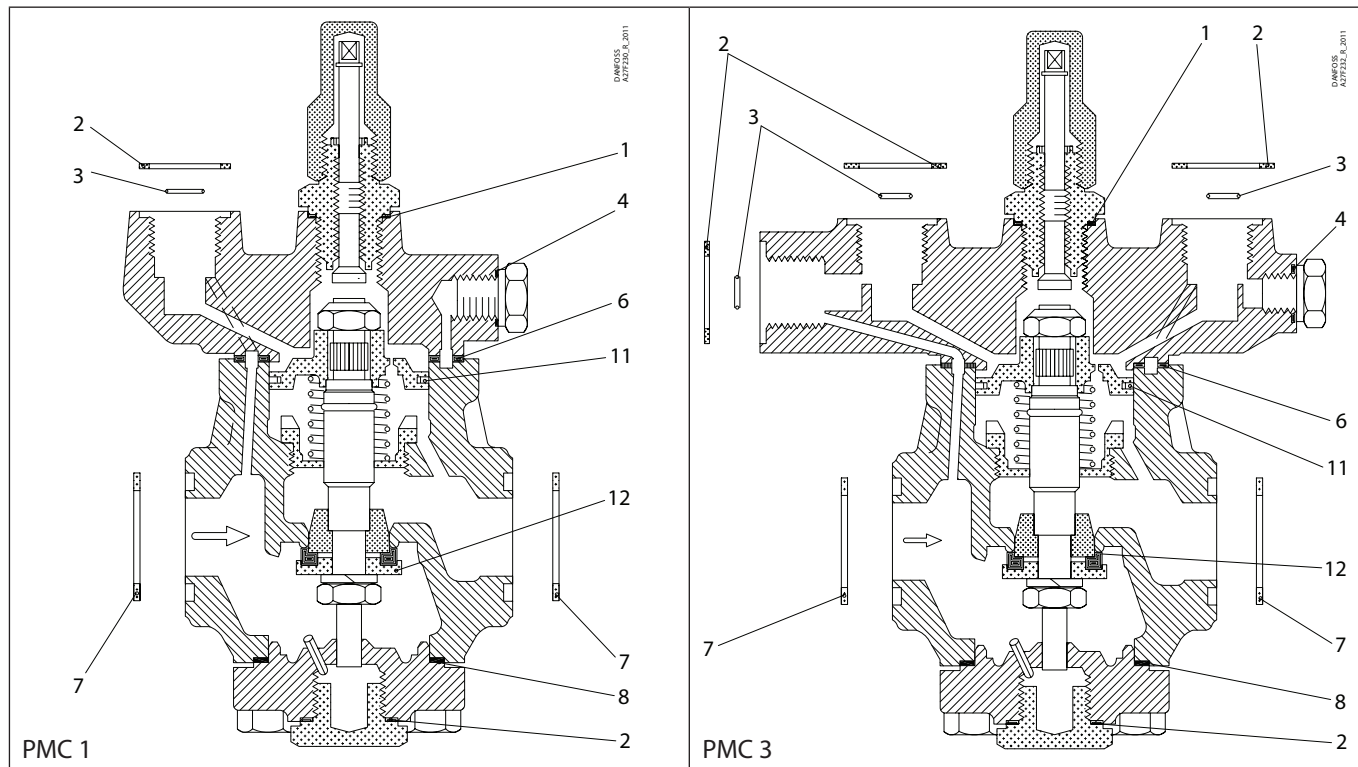


Repair kit | Code number 027F3158
PM, PML/X, size 125

<p>1</p> <p> = Alu.</p> <p>Ø26 mm Ø1.02"</p> <p>Total no. = 1</p>	<p>2</p> <p> = Fibre</p> <p>Ø33 mm Ø1.28"</p> <p>Total no. = 4</p>	<p>3</p> <p> = Alu.</p> <p>Ø9 mm Ø0.36"</p> <p>Total no. = 3</p>	<p>4</p> <p> = Alu.</p> <p>Ø18 mm Ø0.70"</p> <p>Total no. = 1</p>	<p>5*</p> <p> = Alu.</p> <p>Ø14 mm Ø0.55"</p> <p>Total no. = 1</p>	<p>6</p> <p> = Fibre</p> <p>Ø221 mm Ø8.7"</p> <p>Total no. = 1</p>
<p>6a</p> <p> = Fibre</p> <p>Ø221 mm Ø8.7"</p> <p>Total no. = 1</p>	<p>7</p> <p> = Fibre</p> <p>Ø203 mm Ø7.99"</p> <p>Total no. = 2</p>	<p>8*</p> <p> = Fibre</p> <p>Ø196 mm Ø7.72"</p> <p>Total no. = 1</p>	<p>9</p> <p> = Alu.</p> <p>Ø32 mm Ø1.26"</p> <p>Total no. = 1</p>	<p>10</p> <p> = Alu.</p> <p>Ø22 mm Ø0.87"</p> <p>Total no. = 1</p>	<p>11</p> <p> = Alu.</p> <p>Ø175 mm Ø6.89"</p> <p>Total no. = 1</p>
<p>12</p> <p> = Alu.</p> <p>Ø140 mm Ø5.51"</p> <p>Total no. = 1</p>	<p>14</p> <p> = Alu.</p> <p>Ø165 mm Ø6.49"</p> <p>Total no. = 1</p>				

* The spare part is included in the package but is not used for PM, PML/X 125.

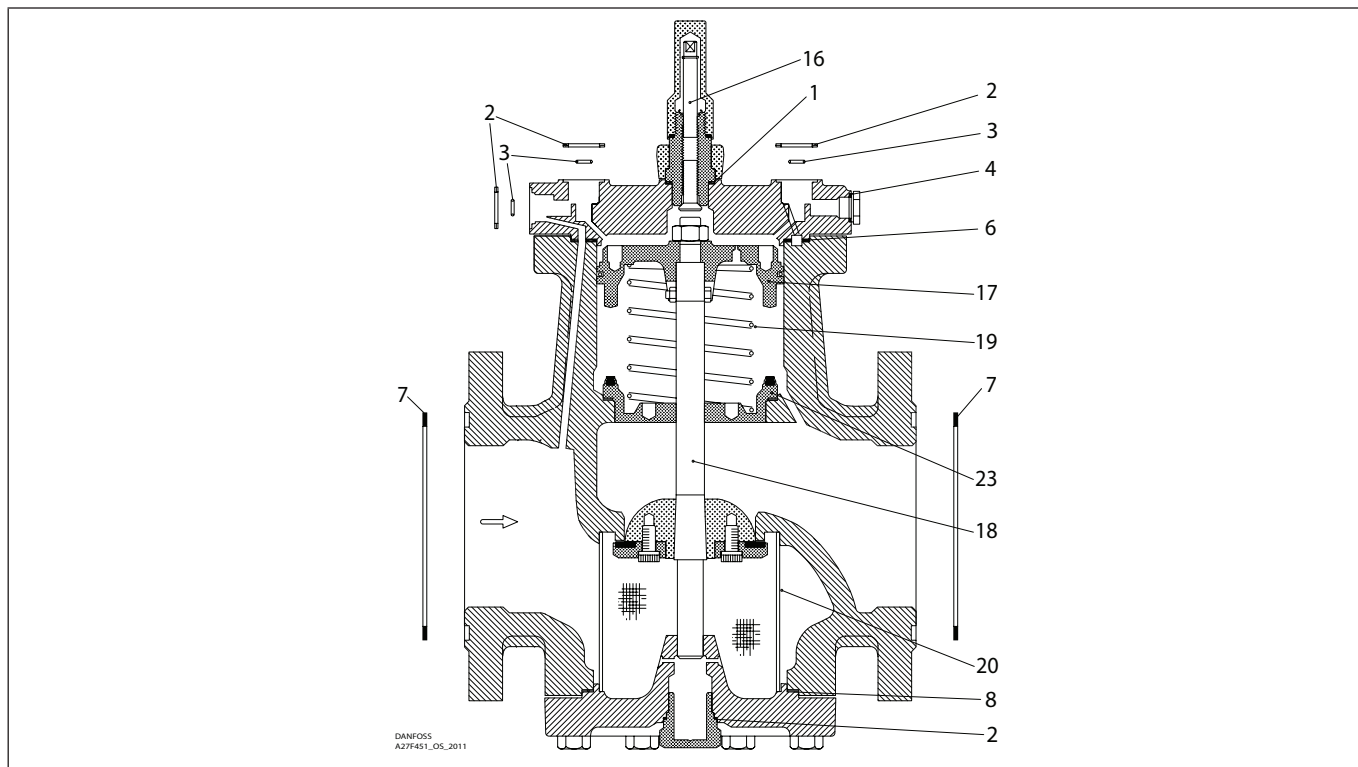
Repair kit | Code number 027F0555
 PMC, size 20-5, 20-8, 20-12 and 20-20



<p>1 = Alu.</p> <p>$\varnothing 26 \text{ mm}$ $\varnothing 1.02''$</p> <p>Total no. = 1</p>	<p>2 = Fibre</p> <p>$\varnothing 33 \text{ mm}$ $\varnothing 1.28''$</p> <p>Total no. = 4</p>	<p>3 = Alu.</p> <p>$\varnothing 9 \text{ mm}$ $\varnothing 0.36''$</p> <p>Total no. = 3</p>	<p>4 = Alu.</p> <p>$\varnothing 18 \text{ mm}$ $\varnothing 0.70''$</p> <p>Total no. = 1</p>	<p>5* = Alu.</p> <p>$\varnothing 14 \text{ mm}$ $\varnothing 0.55''$</p> <p>Total no. = 1</p>	<p>6 = Fibre</p> <p>$\varnothing 75 \text{ mm}$ $\varnothing 2.95''$</p> <p>Total no. = 1</p>
<p>7 = Fibre</p> <p>$\varnothing 39 \text{ mm}$ $\varnothing 1.54''$</p> <p>Total no. = 2</p>	<p>8 = Fibre</p> <p>$\varnothing 60 \text{ mm}$ $\varnothing 2.36''$</p> <p>Total no. = 1</p>	<p>9* = Alu.</p> <p>$\varnothing 32 \text{ mm}$ $\varnothing 1.26''$</p> <p>Total no. = 1</p>	<p>10* = Alu.</p> <p>$\varnothing 22 \text{ mm}$ $\varnothing 0.87''$</p> <p>Total no. = 1</p>	<p>11 = Alu.</p> <p>$\varnothing 50 \text{ mm}$ $\varnothing 1.97''$</p> <p>Total no. = 1</p>	<p>12 = Fibre</p> <p>$\varnothing 32 \text{ mm}$ $\varnothing 1.26''$</p> <p>Total no. = 1</p>

* The spare part is included in the package but is not used for PMC 1 and 3.

Overhaul kit | Code number 027F3377
PM, size 80 - standard cone

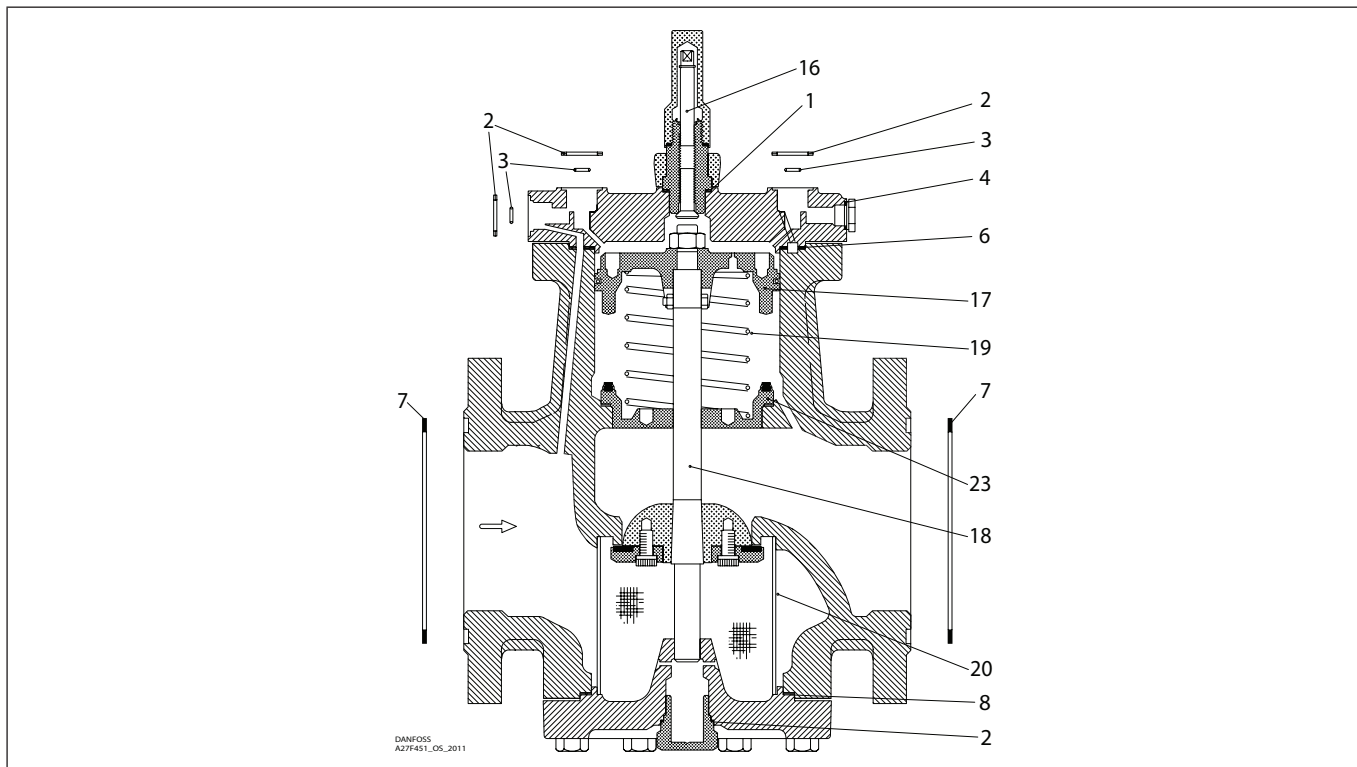


<p>1**</p> <p> = Fibre</p> <p>Total no. = 1</p>	<p>2</p> <p> = Fibre</p> <p>Total no. = 4</p>	<p>3</p> <p> = Al.</p> <p>Total no. = 3</p>	<p>4</p> <p> = Al.</p> <p>Total no. = 1</p>	<p>5*</p> <p> = Al.</p> <p>Total no. = 1</p>	<p>6</p> <p> = Fibre</p> <p>Total no. = 1</p>
<p>7</p> <p> = Fibre</p> <p>Total no. = 2</p>	<p>8</p> <p> = Fibre</p> <p>Total no. = 1</p>	<p>9*</p> <p> = Al.</p> <p>Total no. = 1</p>	<p>10*</p> <p> = Al.</p> <p>Total no. = 1</p>	<p>16</p>	<p>17</p>
<p>18</p>	<p>19</p> <p>Total no. = 1</p>	<p>20</p> <p>Total no. = 1</p>	<p>23</p>		

* The spare part is included in the package but is not used for PM size 80 with standard cone.

** Included in manual opening device.

Overhaul kit | Code number 027F3378
PM, size 100 - standard cone

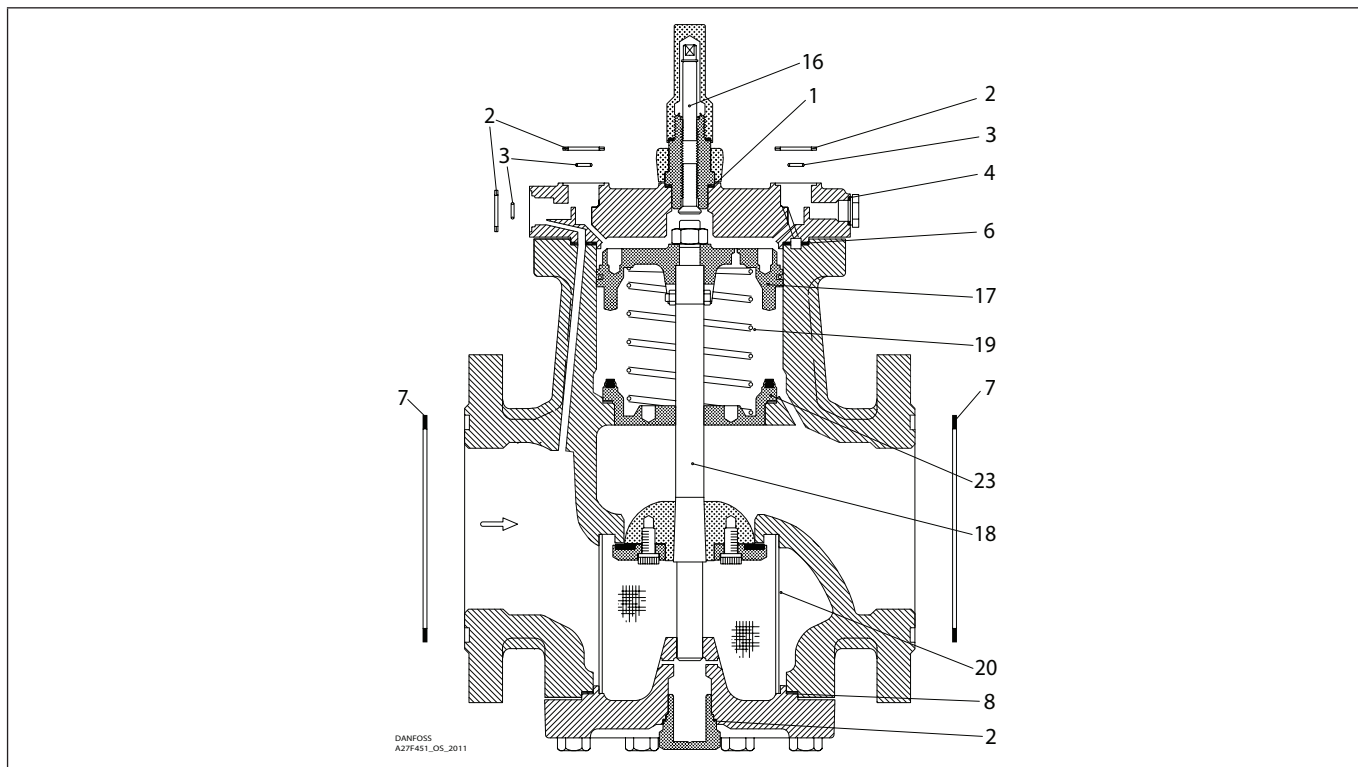


<p>1**</p> <p> = Fibre</p> <p>$\varnothing 38 \text{ mm}$ $\varnothing 1.5''$</p> <p>Total no. = 1</p>	<p>2</p> <p> = Fibre</p> <p>$\varnothing 33 \text{ mm}$ $\varnothing 1.28''$</p> <p>Total no. = 4</p>	<p>3</p> <p> = Al.</p> <p>$\varnothing 9 \text{ mm}$ $\varnothing 0.36''$</p> <p>Total no. = 3</p>	<p>4</p> <p> = Al.</p> <p>$\varnothing 18 \text{ mm}$ $\varnothing 0.70''$</p> <p>Total no. = 1</p>	<p>5*</p> <p> = Al.</p> <p>$\varnothing 14 \text{ mm}$ $\varnothing 0.55''$</p> <p>Total no. = 1</p>	<p>6</p> <p> = Fibre</p> <p>$\varnothing 185 \text{ mm}$ $\varnothing 7.28''$</p> <p>Total no. = 1</p>
<p>7</p> <p> = Fibre</p> <p>$\varnothing 175 \text{ mm}$ $\varnothing 6.89''$</p> <p>Total no. = 2</p>	<p>8</p> <p> = Fibre</p> <p>$\varnothing 168 \text{ mm}$ $\varnothing 6.61''$</p> <p>Total no. = 1</p>	<p>9*</p> <p> = Al.</p> <p>$\varnothing 32 \text{ mm}$ $\varnothing 1.26''$</p> <p>Total no. = 1</p>	<p>10*</p> <p> = Al.</p> <p>$\varnothing 22 \text{ mm}$ $\varnothing 0.87''$</p> <p>Total no. = 1</p>	<p>16</p>	<p>17</p> <p>$\varnothing 145 \text{ mm}$ $\varnothing 4.71''$</p>
<p>18</p> <p>307 mm $12.09''$</p>	<p>19</p> <p>$\varnothing 100 \text{ mm}$ $\varnothing 3.94''$</p> <p>Total no. = 1</p>	<p>20</p> <p>$\varnothing 141 \text{ mm}$ $\varnothing 4.33''$</p> <p>Total no. = 1</p>	<p>23</p> <p>$\varnothing 135 \text{ mm}$ $\varnothing 5.31''$</p>		

* The spare part is included in the package but is not used for PM size 100 with standard cone.

** Included in manual opening device.

Overhaul kit | Code number 027F3379 PM, size 125 - standard cone

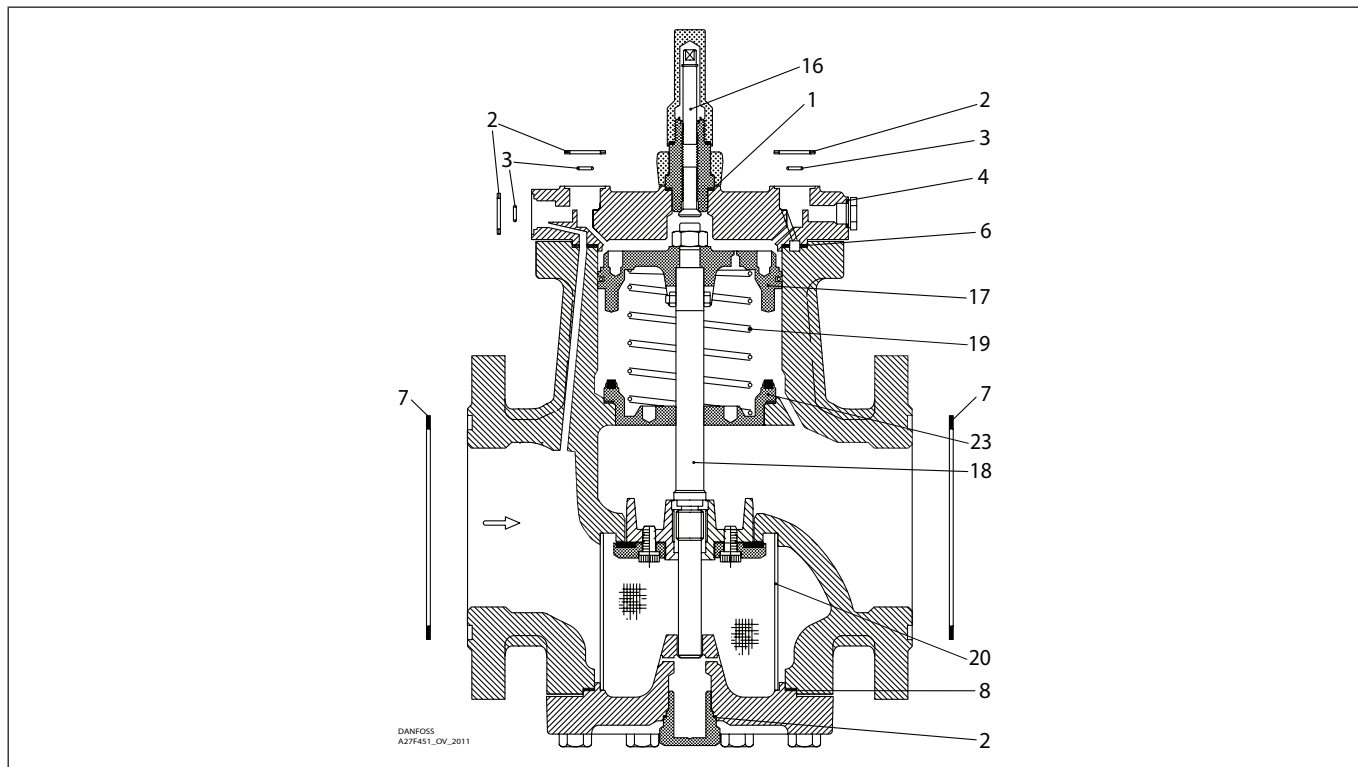


<p>1**</p> <p> = Fibre</p> <p>$\varnothing 38 \text{ mm}$ $\varnothing 1.5''$</p> <p>Total no. = 1</p>	<p>2</p> <p> = Fibre</p> <p>$\varnothing 33 \text{ mm}$ $\varnothing 1.28''$</p> <p>Total no. = 4</p>	<p>3</p> <p> = Al.</p> <p>$\varnothing 9 \text{ mm}$ $\varnothing 0.36''$</p> <p>Total no. = 3</p>	<p>4</p> <p> = Al.</p> <p>$\varnothing 18 \text{ mm}$ $\varnothing 0.70''$</p> <p>Total no. = 1</p>	<p>5*</p> <p> = Al.</p> <p>$\varnothing 14 \text{ mm}$ $\varnothing 0.55''$</p> <p>Total no. = 1</p>	<p>6</p> <p> = Fibre</p> <p>$\varnothing 221 \text{ mm}$ $\varnothing 8.7''$</p> <p>Total no. = 1</p>
<p>7</p> <p> = Fibre</p> <p>$\varnothing 203 \text{ mm}$ $\varnothing 7.99''$</p> <p>Total no. = 2</p>	<p>8</p> <p> = Fibre</p> <p>$\varnothing 196 \text{ mm}$ $\varnothing 7.72''$</p> <p>Total no. = 1</p>	<p>9*</p> <p> = Al.</p> <p>$\varnothing 32 \text{ mm}$ $\varnothing 1.26''$</p> <p>Total no. = 1</p>	<p>10*</p> <p> = Al.</p> <p>$\varnothing 22 \text{ mm}$ $\varnothing 0.87''$</p> <p>Total no. = 1</p>	<p>16</p>	<p>17</p> <p>$\varnothing 175 \text{ mm}$ $\varnothing 6.89''$</p>
<p>18</p> <p>386 mm $15.21''$</p>	<p>19</p> <p>$\varnothing 125 \text{ mm}$ $\varnothing 4.92''$</p> <p>Total no. = 1</p>	<p>20</p> <p>$\varnothing 165 \text{ mm}$ $\varnothing 6.5''$</p> <p>Total no. = 1</p>	<p>23</p> <p>$\varnothing 160 \text{ mm}$ $\varnothing 6.3''$</p>		

* The spare part is included in the package but is not used for PM size 125 with standard cone.

** Included in manual opening device.

Overhaul kit | Code number 027F3387
PM, size 80 - V-cone

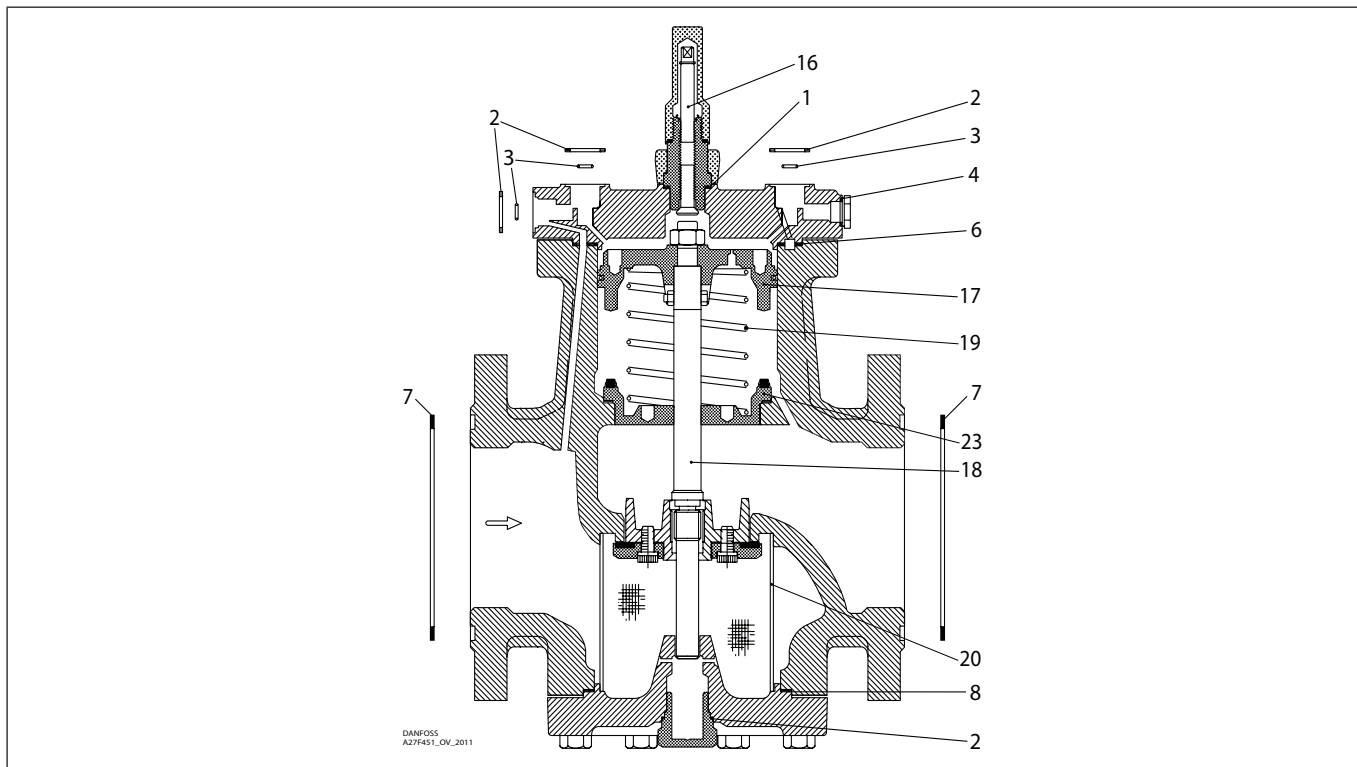


<p>1**</p> <p> = Fibre</p> <p>$\varnothing 38 \text{ mm}$ $\varnothing 1.5''$</p> <p>Total no. = 1</p>	<p>2</p> <p> = Fibre</p> <p>$\varnothing 33 \text{ mm}$ $\varnothing 1.28''$</p> <p>Total no. = 4</p>	<p>3</p> <p> = Alu.</p> <p>$\varnothing 9 \text{ mm}$ $\varnothing 0.36''$</p> <p>Total no. = 3</p>	<p>4</p> <p> = Alu.</p> <p>$\varnothing 18 \text{ mm}$ $\varnothing 0.70''$</p> <p>Total no. = 1</p>	<p>5*</p> <p> = Alu.</p> <p>$\varnothing 14 \text{ mm}$ $\varnothing 0.55''$</p> <p>Total no. = 1</p>	<p>6</p> <p> = Fibre</p> <p>$\varnothing 154 \text{ mm}$ $\varnothing 6.06''$</p> <p>Total no. = 1</p>
<p>7</p> <p> = Fibre</p> <p>$\varnothing 149 \text{ mm}$ $\varnothing 5.87''$</p> <p>Total no. = 2</p>	<p>8</p> <p> = Fibre</p> <p>$\varnothing 134 \text{ mm}$ $\varnothing 5.28''$</p> <p>Total no. = 1</p>	<p>9*</p> <p> = Alu.</p> <p>$\varnothing 32 \text{ mm}$ $\varnothing 1.26''$</p> <p>Total no. = 1</p>	<p>10*</p> <p> = Alu.</p> <p>$\varnothing 22 \text{ mm}$ $\varnothing 0.87''$</p> <p>Total no. = 1</p>	<p>16</p>	<p>17</p> <p>$\varnothing 120 \text{ mm}$ $\varnothing 4.72''$</p>
<p>18</p> <p>265 mm $10.44''$</p>	<p>19</p> <p>$\varnothing 80 \text{ mm}$ $\varnothing 3.15''$</p> <p>Total no. = 1</p>	<p>20</p> <p>$\varnothing 110 \text{ mm}$ $\varnothing 4.33''$</p> <p>Total no. = 1</p>	<p>23</p> <p>$\varnothing 114 \text{ mm}$ $\varnothing 4.49''$</p>		

* The spare part is included in the package but is not used for PM size 80 with V-cone.

** Included in manual opening device.

Overhaul kit | Code number 027F3388
PM, size 100 - V-cone

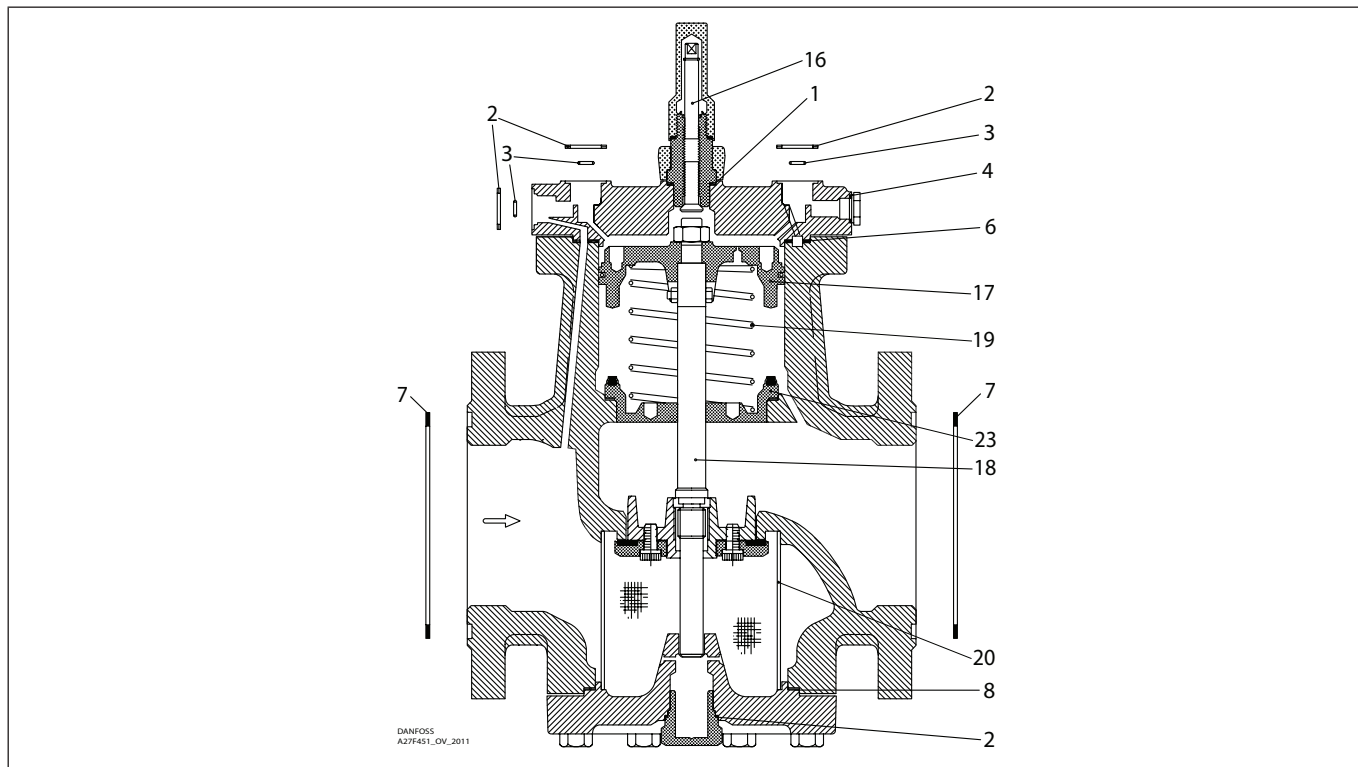


<p>1**</p> <p> = Fibre</p> <p>Total no. = 1</p>	<p>2</p> <p> = Fibre</p> <p>Total no. = 4</p>	<p>3</p> <p> = Alu.</p> <p>Total no. = 3</p>	<p>4</p> <p> = Alu.</p> <p>Total no. = 1</p>	<p>5*</p> <p> = Alu.</p> <p>Total no. = 1</p>	<p>6</p> <p> = Fibre</p> <p>Total no. = 1</p>
<p>7</p> <p> = Fibre</p> <p>Total no. = 2</p>	<p>8</p> <p> = Fibre</p> <p>Total no. = 1</p>	<p>9*</p> <p> = Alu.</p> <p>Total no. = 1</p>	<p>10*</p> <p> = Alu.</p> <p>Total no. = 1</p>	<p>16</p>	<p>17</p>
<p>18</p>	<p>19</p> <p>Total no. = 1</p>	<p>20</p> <p>Total no. = 1</p>	<p>23</p>		

* The spare part is included in the package but is not used for PM size 100 with V-cone.

** Included in manual opening device.

Overhaul kit | Code number 027F3389
PM, size 125 - V-cone

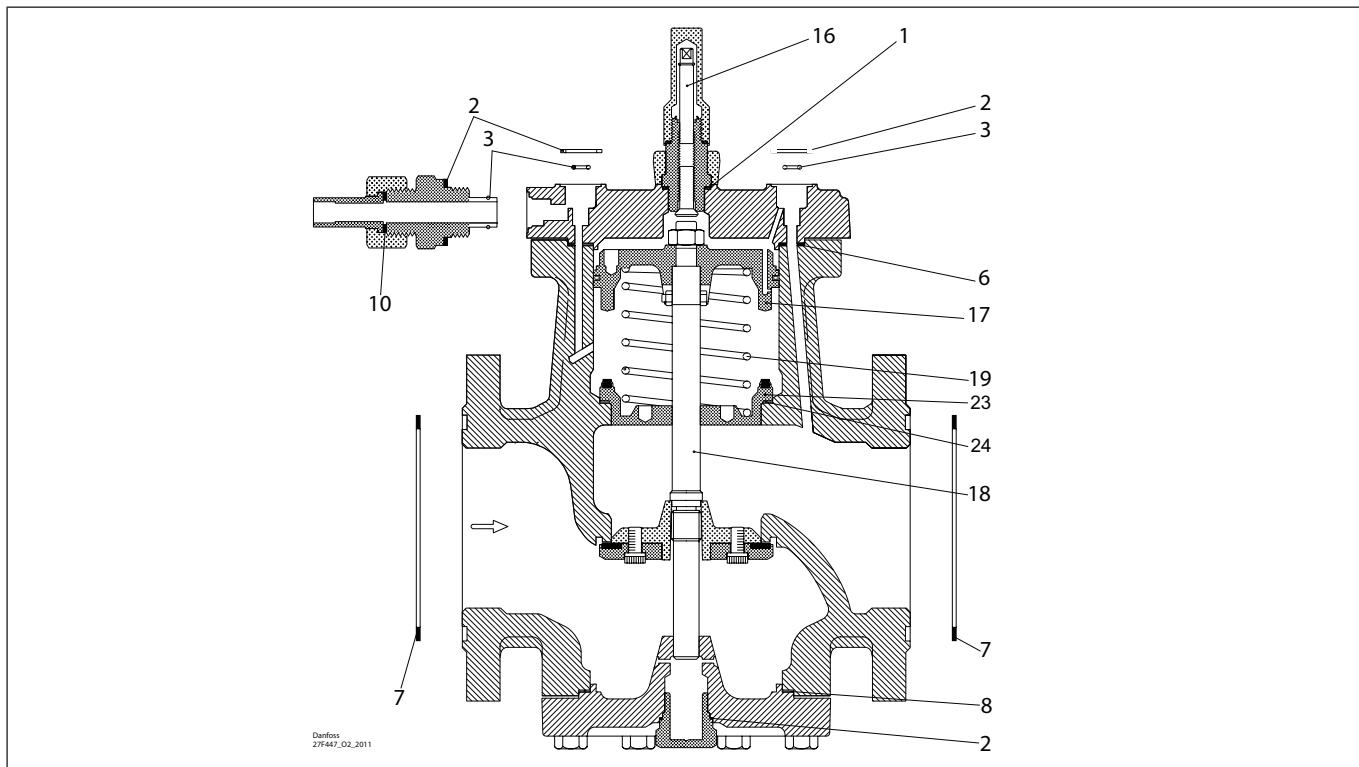


<p>1**</p> <p> = Fibre</p> <p>Total no. = 1</p>	<p>2</p> <p> = Fibre</p> <p>Total no. = 4</p>	<p>3</p> <p> = Alu.</p> <p>Total no. = 3</p>	<p>4</p> <p> = Alu.</p> <p>Total no. = 1</p>	<p>5*</p> <p> = Alu.</p> <p>Total no. = 1</p>	<p>6</p> <p> = Fibre</p> <p>Total no. = 1</p>
<p>7</p> <p> = Fibre</p> <p>Total no. = 2</p>	<p>8</p> <p> = Fibre</p> <p>Total no. = 1</p>	<p>9*</p> <p> = Alu.</p> <p>Total no. = 1</p>	<p>10*</p> <p> = Alu.</p> <p>Total no. = 1</p>	<p>16</p>	<p>17</p>
<p>18</p>	<p>19</p> <p>Total no. = 1</p>	<p>20</p> <p>Total no. = 1</p>	<p>23</p>		

* The spare part is included in the package but is not used for PM size 125 with V-cone.

** Included in manual opening device.

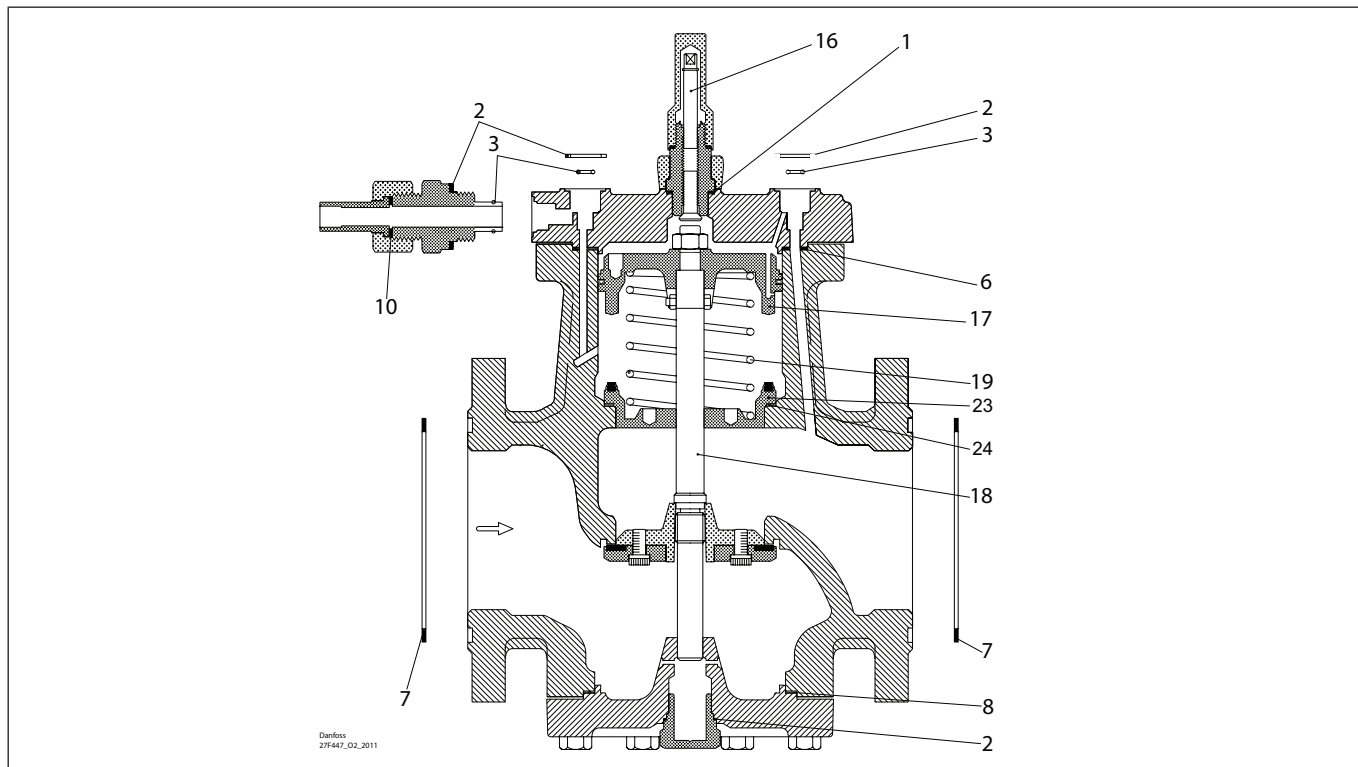
Overhaul kit | Code number 027F0560
PML, size 80



<p>1*</p> <p> = Alu.</p> <p>Ø26 mm Ø1.02"</p> <p>Total no. = 1</p>	<p>2</p> <p> = Fibre</p> <p>Ø33 mm Ø1.28"</p> <p>Total no. = 4</p>	<p>3</p> <p> = Alu.</p> <p>Ø9 mm Ø0.36"</p> <p>Total no. = 3</p>	<p>4*</p> <p> = Alu.</p> <p>Ø18 mm Ø0.70"</p> <p>Total no. = 1</p>	<p>5*</p> <p> = Alu.</p> <p>Ø14 mm Ø0.55"</p> <p>Total no. = 1</p>	<p>6</p> <p> = Fibre</p> <p>Ø154 mm Ø6.06"</p> <p>Total no. = 1</p>
<p>7</p> <p> = Fibre</p> <p>Ø149 mm Ø5.87"</p> <p>Total no. = 2</p>	<p>8</p> <p> = Fibre</p> <p>Ø134 mm Ø5.28"</p> <p>Total no. = 1</p>	<p>9*</p> <p> = Alu.</p> <p>Ø32 mm Ø1.26"</p> <p>Total no. = 1</p>	<p>10</p> <p> = Alu.</p> <p>Ø22 mm Ø0.87"</p> <p>Total no. = 1</p>	<p>16</p>	<p>17</p> <p>Ø120 mm Ø4.72"</p>
<p>18</p> <p>265 mm 10.44"</p>	<p>19</p> <p>Ø80 mm Ø3.15"</p> <p>Total no. = 1</p>	<p>23</p> <p>Ø114 mm Ø4.49"</p>	<p>24</p> <p> = Fibre</p> <p>Ø113.4 mm Ø4.46"</p> <p>Total no. = 1</p>		

* The spare part is included in the package but is not used for PML size 80.

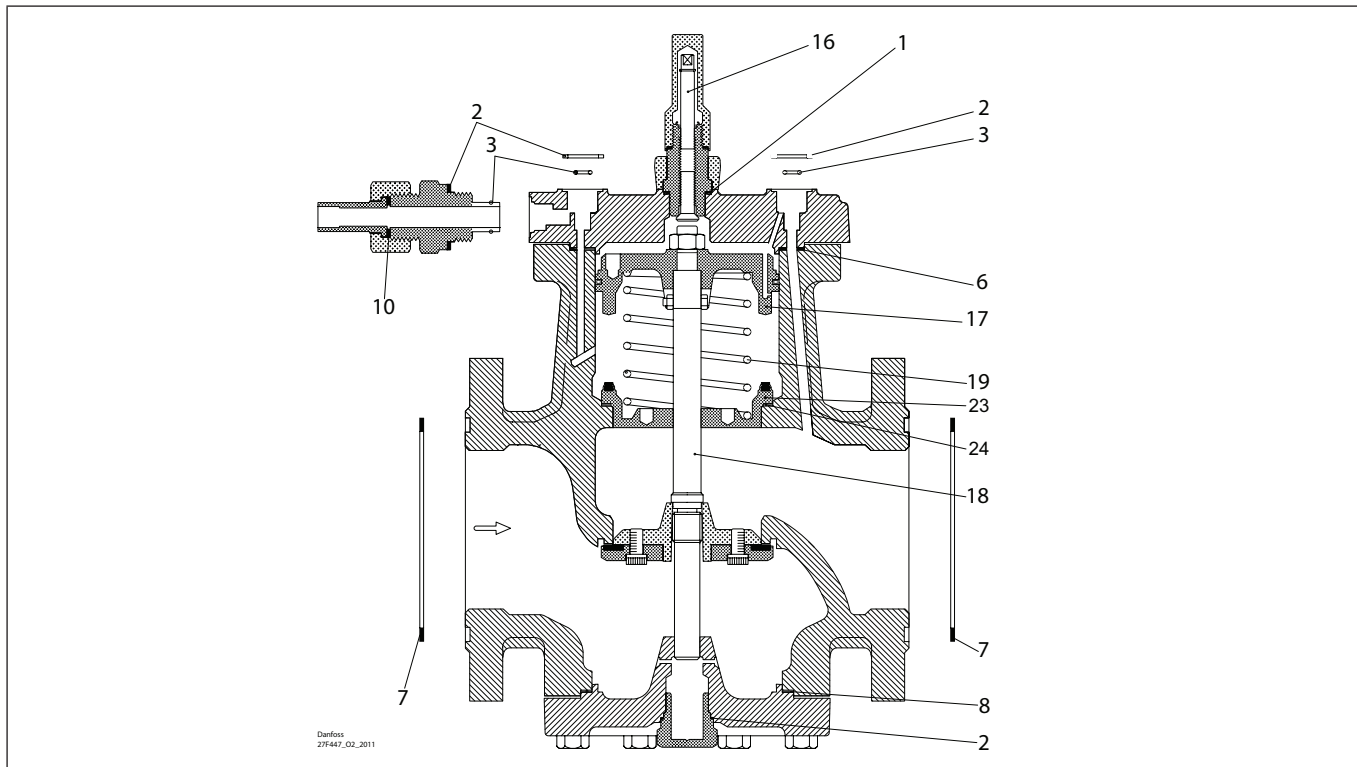
Overhaul kit | Code number 027F0561
PML, size 100



<p>1*</p> <p>▨ = Alu.</p> <p>Total no. = 1</p>	<p>2</p> <p>▨ = Fibre</p> <p>Total no. = 4</p>	<p>3</p> <p>Total no. = 3</p>	<p>4*</p> <p>▨ = Alu.</p> <p>Total no. = 1</p>	<p>5*</p> <p>▨ = Alu.</p> <p>Total no. = 1</p>	<p>6</p> <p>▨ = Fibre</p> <p>Total no. = 1</p>
<p>7</p> <p>▨ = Fibre</p> <p>Total no. = 2</p>	<p>8</p> <p>▨ = Fibre</p> <p>Total no. = 1</p>	<p>9*</p> <p>▨ = Alu.</p> <p>Total no. = 1</p>	<p>10</p> <p>▨ = Alu.</p> <p>Total no. = 1</p>	<p>16</p>	<p>17</p>
<p>18</p>	<p>19</p> <p>Total no. = 1</p>	<p>23</p>	<p>24</p> <p>▨ = Fibre</p> <p>Total no. = 1</p>		

* The spare part is included in the package but is not used for PML size 100.

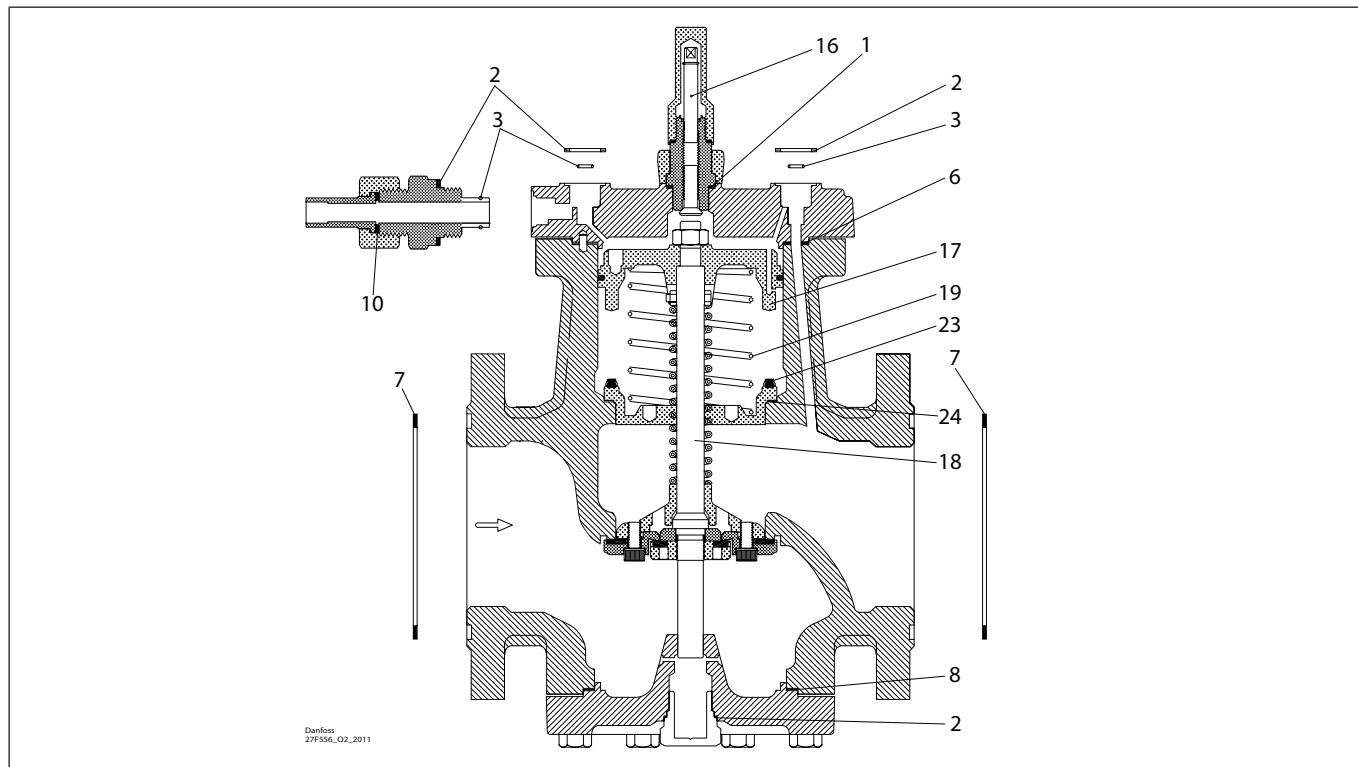
Overhaul kit | Code number 027F0562
PML, size 125



<p>1*</p> <p> = Alu.</p> <p>Ø26 mm Ø1.02"</p> <p>Total no. = 1</p>	<p>2</p> <p> = Fibre</p> <p>Ø33 mm Ø1.28"</p> <p>Total no. = 4</p>	<p>3</p> <p> = Alu.</p> <p>Ø9 mm Ø0.36"</p> <p>Total no. = 3</p>	<p>4*</p> <p> = Alu.</p> <p>Ø18 mm Ø0.70"</p> <p>Total no. = 1</p>	<p>5*</p> <p> = Alu.</p> <p>Ø14 mm Ø0.55"</p> <p>Total no. = 1</p>	<p>6</p> <p> = Fibre</p> <p>Ø221 mm Ø8.7"</p> <p>Total no. = 1</p>
<p>7</p> <p> = Fibre</p> <p>Ø203 mm Ø7.99"</p> <p>Total no. = 2</p>	<p>8</p> <p> = Fibre</p> <p>Ø196 mm Ø7.72"</p> <p>Total no. = 1</p>	<p>9*</p> <p> = Alu.</p> <p>Ø32 mm Ø1.26"</p> <p>Total no. = 1</p>	<p>10</p> <p> = Alu.</p> <p>Ø22 mm Ø0.87"</p> <p>Total no. = 1</p>	<p>16</p>	<p>17</p> <p>Ø175 mm Ø6.89"</p>
<p>18</p> <p>386 mm 15.21"</p>	<p>19</p> <p>Ø125 mm Ø4.92"</p> <p>Total no. = 1</p>	<p>23</p> <p>Ø160 mm Ø6.3"</p>	<p>24</p> <p> = Fibre</p> <p>Ø159.4 mm Ø6.27"</p> <p>Total no. = 1</p>		

* The spare part is included in the package but is not used for PML size 125.

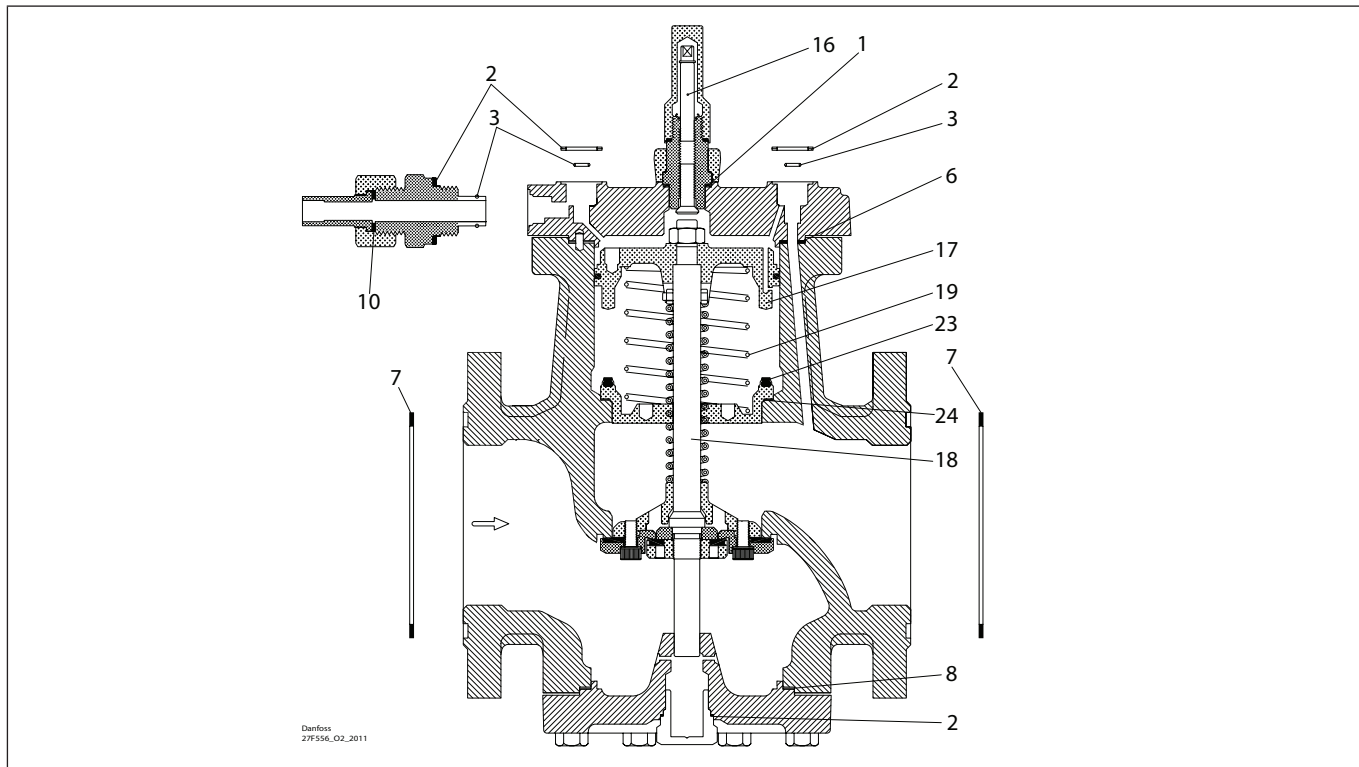
Overhaul kit | Code number 027F0571
PMLX, size 80



<p>1*</p> <p>Alu.</p> <p>Total no. = 1</p>	<p>2</p> <p>Fibre</p> <p>Total no. = 4</p>	<p>3</p> <p>Total no. = 3</p>	<p>4*</p> <p>Alu.</p> <p>Total no. = 1</p>	<p>5*</p> <p>Alu.</p> <p>Total no. = 1</p>	<p>6</p> <p>Fibre</p> <p>Total no. = 1</p>
<p>7</p> <p>Fibre</p> <p>Total no. = 2</p>	<p>8</p> <p>Fibre</p> <p>Total no. = 1</p>	<p>9*</p> <p>Alu.</p> <p>Total no. = 1</p>	<p>10</p> <p>Alu.</p> <p>Total no. = 1</p>	<p>16</p>	<p>17</p>
<p>18</p>	<p>19</p> <p>Total no. = 1</p>	<p>23</p>	<p>24</p> <p>Fibre</p> <p>Total no. = 1</p>		

* The spare part is included in the package but is not used for PMLX size 80.

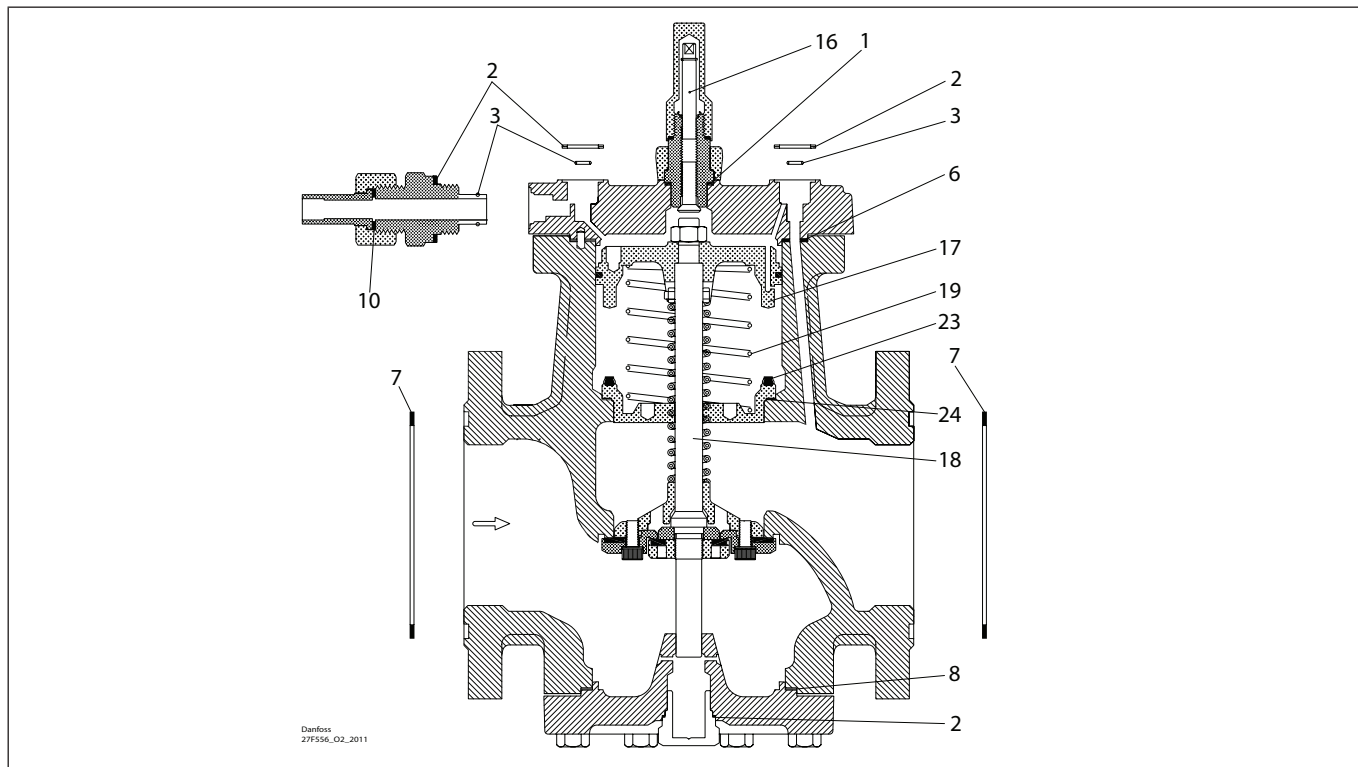
Overhaul kit | Code number 027F0572
PMLX, size 100



<p>1*</p> <p> = Alu.</p> <p>Total no. = 1</p>	<p>2</p> <p> = Fibre</p> <p>Total no. = 4</p>	<p>3</p> <p> = Alu.</p> <p>Total no. = 3</p>	<p>4*</p> <p> = Alu.</p> <p>Total no. = 1</p>	<p>5*</p> <p> = Alu.</p> <p>Total no. = 1</p>	<p>6</p> <p> = Fibre</p> <p>Total no. = 1</p>
<p>7</p> <p> = Fibre</p> <p>Total no. = 2</p>	<p>8</p> <p> = Fibre</p> <p>Total no. = 1</p>	<p>9*</p> <p> = Alu.</p> <p>Total no. = 1</p>	<p>10</p> <p> = Alu.</p> <p>Total no. = 1</p>	<p>16</p>	<p>17</p>
<p>18</p>	<p>19</p> <p>Total no. = 1</p>	<p>23</p>	<p>24</p> <p> = Fibre</p> <p>Total no. = 1</p>		

* The spare part is included in the package but is not used for PMLX size 100.

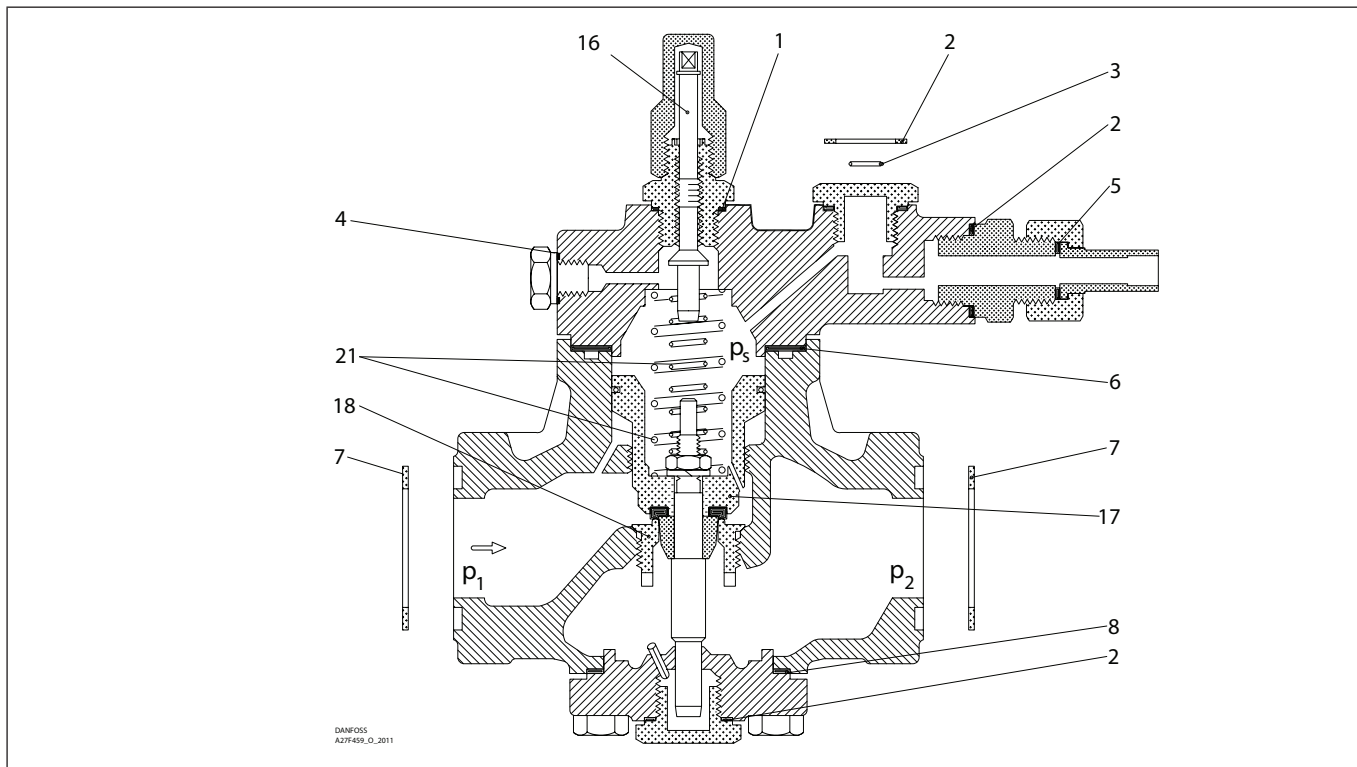
Overhaul kit | Code number 027F0573
PMLX, size 125



<p>1*</p> <p> = Alu.</p> <p></p> <p>Total no. = 1</p>	<p>2</p> <p> = Fibre</p> <p></p> <p>Total no. = 4</p>	<p>3</p> <p></p> <p></p> <p>Total no. = 3</p>	<p>4*</p> <p> = Alu.</p> <p></p> <p>Total no. = 1</p>	<p>5*</p> <p> = Alu.</p> <p></p> <p>Total no. = 1</p>	<p>6</p> <p> = Fibre</p> <p></p> <p>Total no. = 1</p>
<p>7</p> <p> = Fibre</p> <p></p> <p>Total no. = 2</p>	<p>8</p> <p> = Fibre</p> <p></p> <p>Total no. = 1</p>	<p>9*</p> <p> = Alu.</p> <p></p> <p>Total no. = 1</p>	<p>10</p> <p> = Alu.</p> <p></p> <p>Total no. = 1</p>	<p>16</p> <p></p>	<p>17</p> <p></p>
<p>18</p> <p></p>	<p>19</p> <p></p> <p>Total no. = 1</p>	<p>23</p> <p></p>	<p>24</p> <p> = Fibre</p> <p></p> <p>Total no. = 1</p>		

* The spare part is included in the package but is not used for PMLX size 125.

Overhaul kit | Code number 027F0611
PMFL, size 80-1

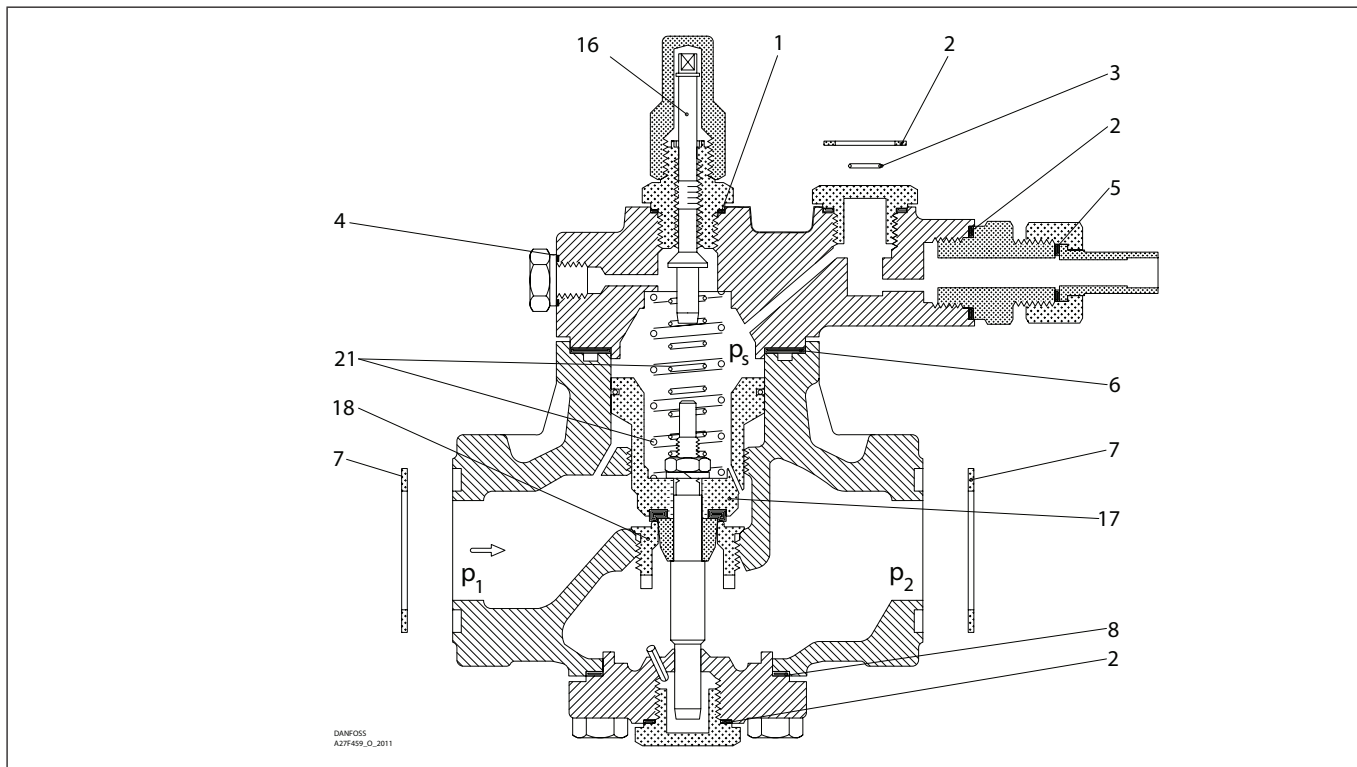


<p>1</p> <p>▨ = Alu.</p> <p>Ø26 mm Ø1.02"</p> <p>Total no. = 1</p>	<p>2</p> <p>▨ = Fibre</p> <p>Ø33 mm Ø1.28"</p> <p>Total no. = 4</p>	<p>3</p> <p>Ø9 mm Ø0.36"</p> <p>Total no. = 3</p>	<p>4</p> <p>▨ = Alu.</p> <p>Ø18 mm Ø0.70"</p> <p>Total no. = 1</p>	<p>5</p> <p>▨ = Alu.</p> <p>Ø14 mm Ø0.55"</p> <p>Total no. = 1</p>	<p>6</p> <p>▨ = Fibre</p> <p>Ø75 mm Ø2.95"</p> <p>Total no. = 1</p>
<p>7</p> <p>▨ = Fibre</p> <p>Ø39 mm Ø1.54"</p> <p>Total no. = 2</p>	<p>8</p> <p>▨ = Fibre</p> <p>Ø60 mm Ø2.36"</p> <p>Total no. = 1</p>	<p>9*</p> <p>▨ = Alu.</p> <p>Ø32 mm Ø1.26"</p> <p>Total no. = 1</p>	<p>10*</p> <p>▨ = Alu.</p> <p>Ø22 mm Ø0.87"</p> <p>Total no. = 1</p>	<p>16</p>	<p>17</p> <p>Ø80 mm Ø3.15"</p> <p>2</p>
<p>18</p> <p>Ø18 mm Ø0.71"</p>	<p>21 Standard</p> <p>Ø13 mm Ø0.51"</p> <p>Ø25 mm Ø0.98"</p> <p>1 set</p>				

* The spare part is included in the package but is not used for PMFL size 80-1.

For identification and installation of Weak and Strong spring sets please see Installation guide DKRCI.PI.GE1.C

Overhaul kit | Code number 027F0631
PMFL, size 80-2

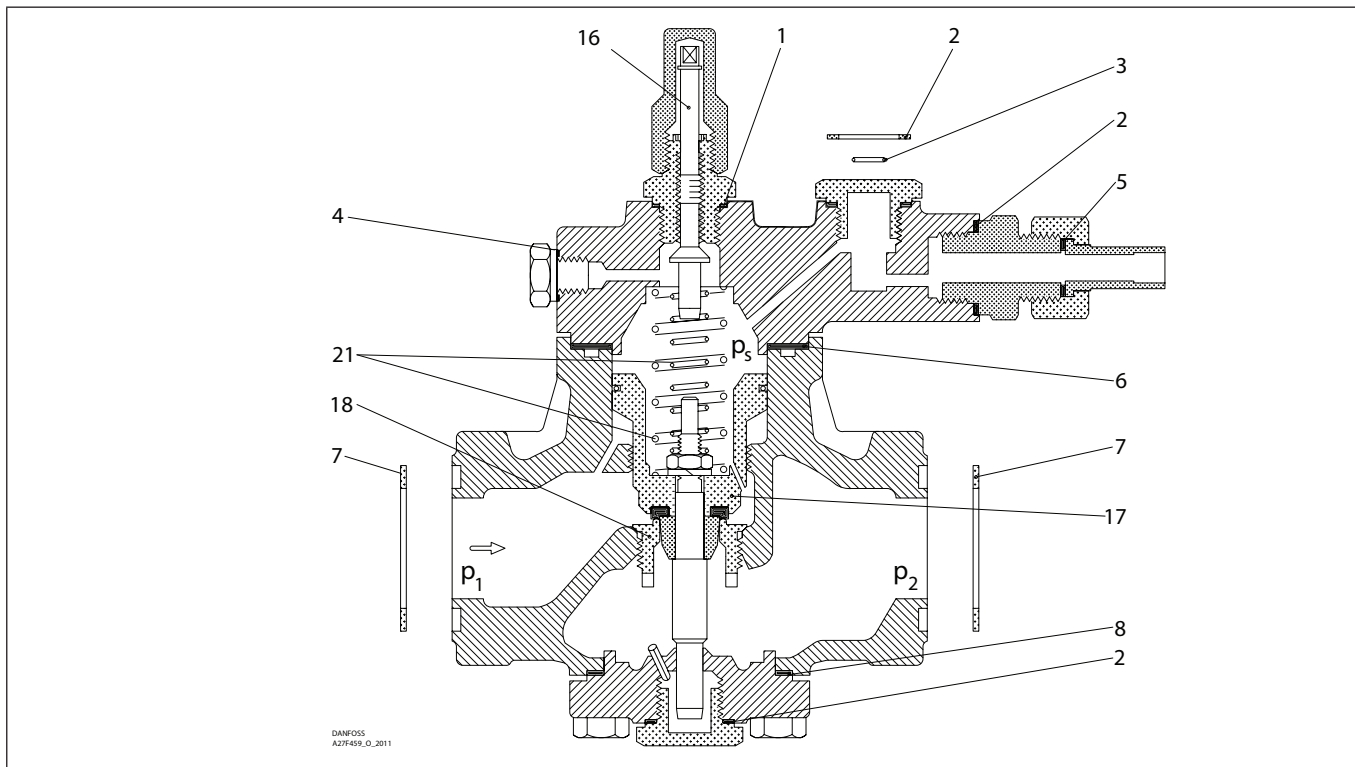


<p>1</p> <p> = Alu.</p> <p>Ø26 mm Ø1.02"</p> <p>Total no. = 1</p>	<p>2</p> <p> = Fibre</p> <p>Ø33 mm Ø1.28"</p> <p>Total no. = 4</p>	<p>3</p> <p> = Alu.</p> <p>Ø9 mm Ø0.36"</p> <p>Total no. = 3</p>	<p>4</p> <p> = Alu.</p> <p>Ø18 mm Ø0.70"</p> <p>Total no. = 1</p>	<p>5</p> <p> = Alu.</p> <p>Ø14 mm Ø0.55"</p> <p>Total no. = 1</p>	<p>6</p> <p> = Fibre</p> <p>Ø75 mm Ø2.95"</p> <p>Total no. = 1</p>
<p>7</p> <p> = Fibre</p> <p>Ø39 mm Ø1.54"</p> <p>Total no. = 2</p>	<p>8</p> <p> = Fibre</p> <p>Ø60 mm Ø2.36"</p> <p>Total no. = 1</p>	<p>9*</p> <p> = Alu.</p> <p>Ø32 mm Ø1.26"</p> <p>Total no. = 1</p>	<p>10*</p> <p> = Alu.</p> <p>Ø22 mm Ø0.87"</p> <p>Total no. = 1</p>	<p>16</p>	<p>17</p> <p>Ø80 mm Ø3.15"</p> <p>3</p>
<p>18</p> <p>Ø18 mm Ø0.71"</p>	<p>21 Standard</p> <p>Ø13 mm Ø0.51"</p> <p>Ø25 mm Ø0.98"</p> <p>1 set</p>				

* The spare part is included in the package but is not used for PMFL size 80-2.

For identification and installation of Weak and Strong spring sets please see Installation guide DKRCI.PLIGE1.C

Overhaul kit | Code number 027F0632
PMFL, size 80-3

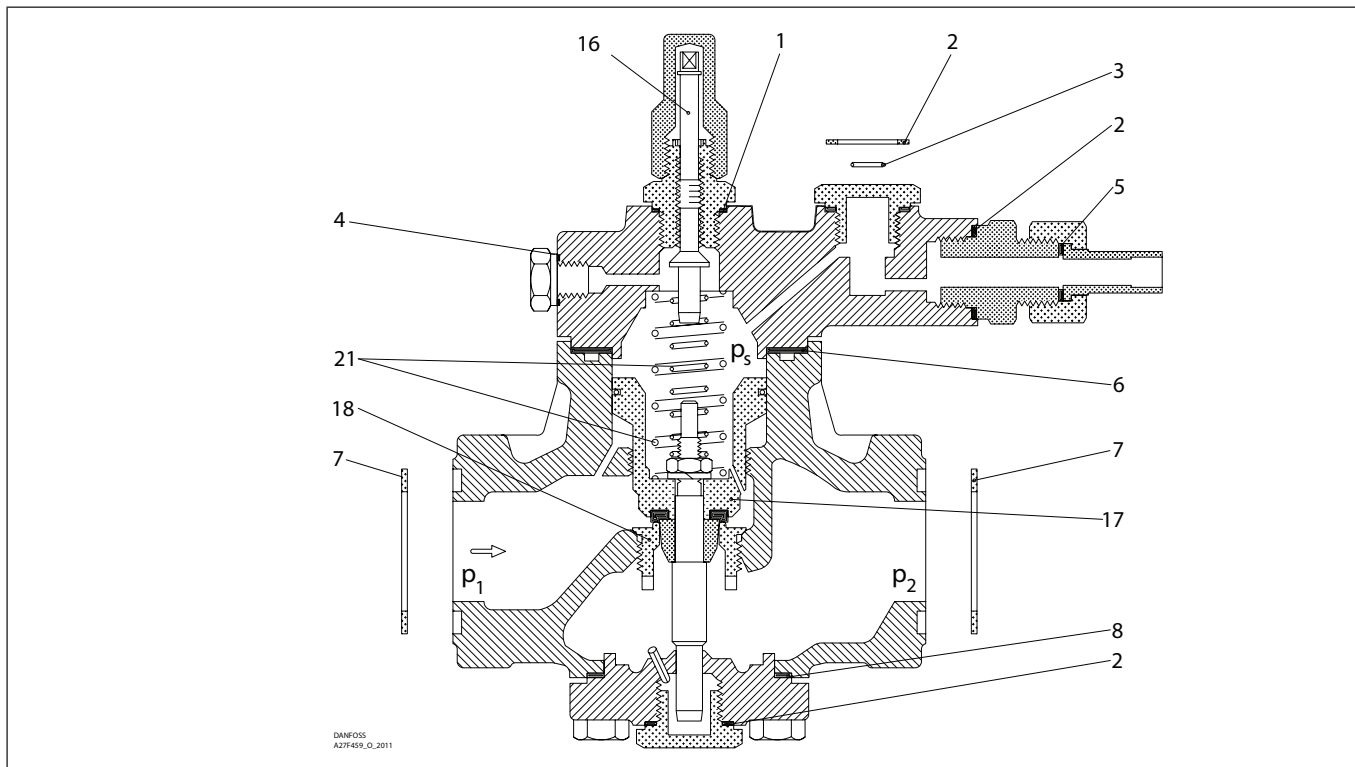


<p>1</p> <p> = Alu.</p> <p>Ø26 mm Ø1.02"</p> <p>Total no. = 1</p>	<p>2</p> <p> = Fibre</p> <p>Ø33 mm Ø1.28"</p> <p>Total no. = 4</p>	<p>3</p> <p> = Alu.</p> <p>Ø9 mm Ø0.36"</p> <p>Total no. = 3</p>	<p>4</p> <p> = Alu.</p> <p>Ø18 mm Ø0.70"</p> <p>Total no. = 1</p>	<p>5</p> <p> = Alu.</p> <p>Ø14 mm Ø0.55"</p> <p>Total no. = 1</p>	<p>6</p> <p> = Fibre</p> <p>Ø75 mm Ø2.95"</p> <p>Total no. = 1</p>
<p>7</p> <p> = Fibre</p> <p>Ø39 mm Ø1.54"</p> <p>Total no. = 2</p>	<p>8</p> <p> = Fibre</p> <p>Ø60 mm Ø2.36"</p> <p>Total no. = 1</p>	<p>9*</p> <p> = Alu.</p> <p>Ø32 mm Ø1.26"</p> <p>Total no. = 1</p>	<p>10*</p> <p> = Alu.</p> <p>Ø22 mm Ø0.87"</p> <p>Total no. = 1</p>	<p>16</p>	<p>17</p> <p>Ø80 mm Ø3.15"</p> <p>4</p>
<p>18</p> <p>Ø18 mm Ø0.71"</p>	<p>21 Standard</p> <p>Ø13 mm Ø0.51"</p> <p>Ø25 mm Ø0.98"</p> <p>1 set</p>				

* The spare part is included in the package but is not used for PMFL size 80-3.

For identification and installation of Weak and Strong spring sets please see Installation guide DKRCI.PI.GE1.C

Overhaul kit | Code number 027F0633
PMFL, size 80-4

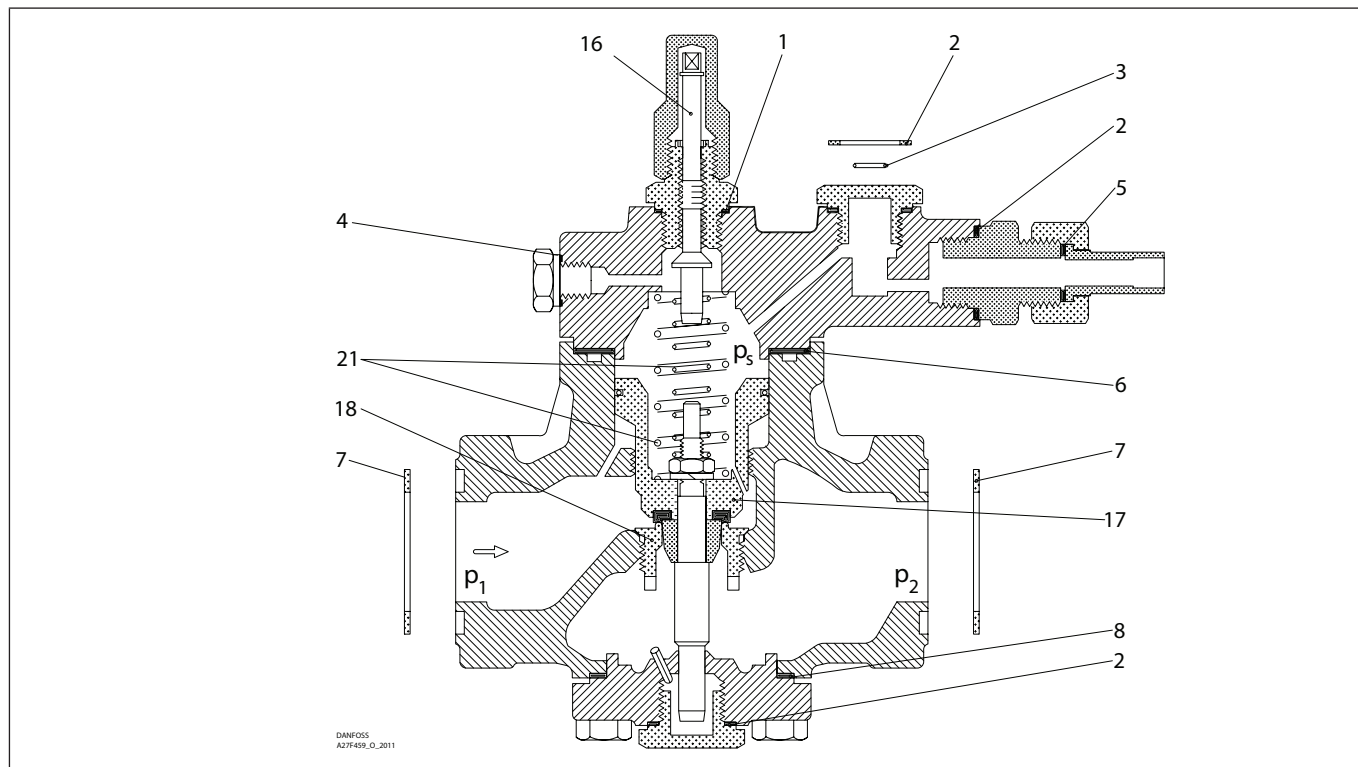


<p>1</p> <p>Alu.</p> <p>Total no. = 1</p>	<p>2</p> <p>Fibre</p> <p>Total no. = 4</p>	<p>3</p> <p>Total no. = 3</p>	<p>4</p> <p>Alu.</p> <p>Total no. = 1</p>	<p>5</p> <p>Alu.</p> <p>Total no. = 1</p>	<p>6</p> <p>Fibre</p> <p>Total no. = 1</p>
<p>7</p> <p>Fibre</p> <p>Total no. = 2</p>	<p>8</p> <p>Fibre</p> <p>Total no. = 1</p>	<p>9*</p> <p>Alu.</p> <p>Total no. = 1</p>	<p>10*</p> <p>Alu.</p> <p>Total no. = 1</p>	<p>16</p>	<p>17</p>
<p>18</p>	<p>21 Standard</p> <p>1 set</p>				

* The spare part is included in the package but is not used for PMFL size 80-4.

For identification and installation of Weak and Strong spring sets please see Installation guide DKRCLPIGE1.C

Overhaul kit | Code number 027F0634
PMFL, size 80-5

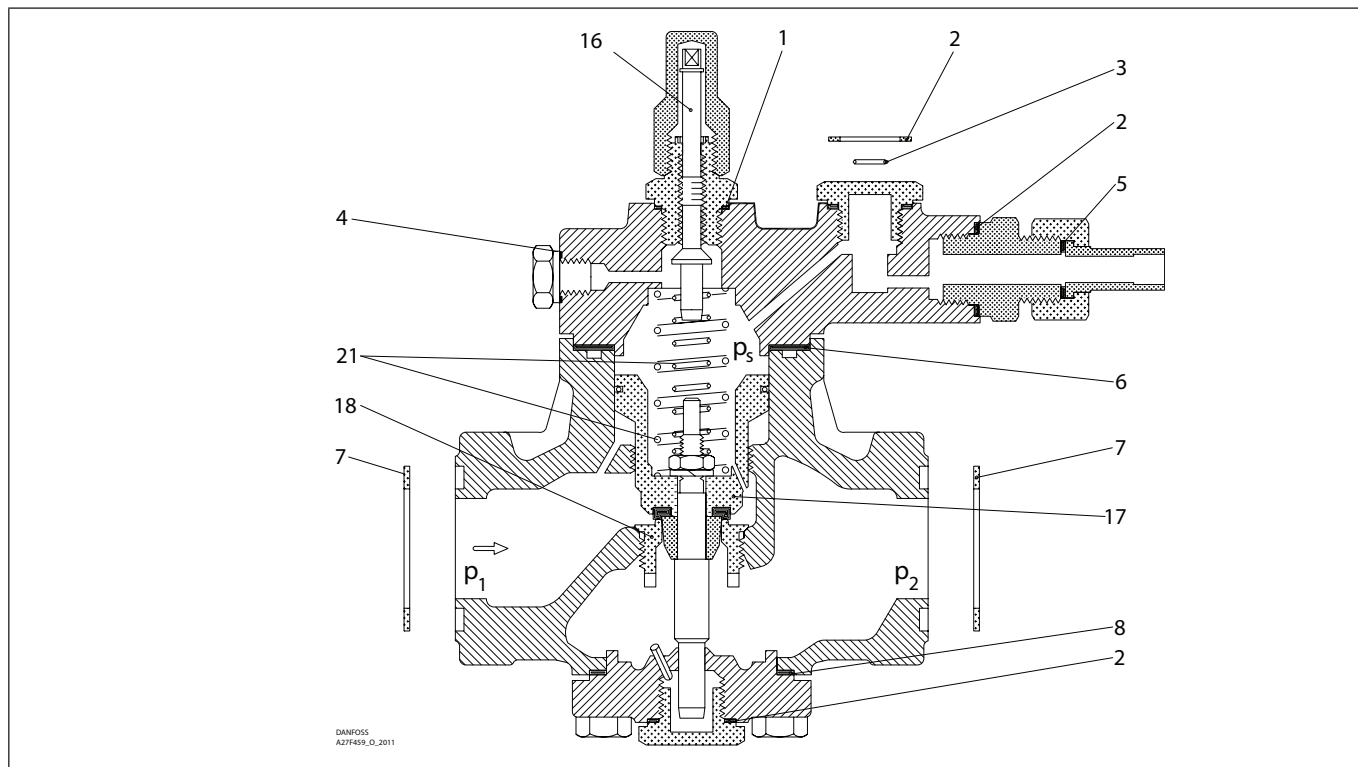


<p>1</p> <p> = Alu.</p> <p>Ø26 mm Ø1.02"</p> <p>Total no. = 1</p>	<p>2</p> <p> = Fibre</p> <p>Ø33 mm Ø1.28"</p> <p>Total no. = 4</p>	<p>3</p> <p> = Alu.</p> <p>Ø9 mm Ø0.36"</p> <p>Total no. = 3</p>	<p>4</p> <p> = Alu.</p> <p>Ø18 mm Ø0.70"</p> <p>Total no. = 1</p>	<p>5</p> <p> = Alu.</p> <p>Ø14 mm Ø0.55"</p> <p>Total no. = 1</p>	<p>6</p> <p> = Fibre</p> <p>Ø75 mm Ø2.95"</p> <p>Total no. = 1</p>
<p>7</p> <p> = Fibre</p> <p>Ø39 mm Ø1.54"</p> <p>Total no. = 2</p>	<p>8</p> <p> = Fibre</p> <p>Ø60 mm Ø2.36"</p> <p>Total no. = 1</p>	<p>9*</p> <p> = Alu.</p> <p>Ø32 mm Ø1.26"</p> <p>Total no. = 1</p>	<p>10*</p> <p> = Alu.</p> <p>Ø22 mm Ø0.87"</p> <p>Total no. = 1</p>	<p>16</p>	<p>17</p> <p>Ø80 mm Ø3.15"</p> <p>9</p>
<p>18</p> <p>Ø23 mm Ø0.91"</p>	<p>21 Standard</p> <p>Ø13 mm Ø0.51"</p> <p>Ø25 mm Ø0.98"</p> <p>1 set</p>				

* The spare part is included in the package but is not used for PMFL size 80-5.

For identification and installation of Weak and Strong spring sets please see Installation guide DKRCI.PI.GE1.C

Overhaul kit | Code number 027F0635
PMFL, size 80-6

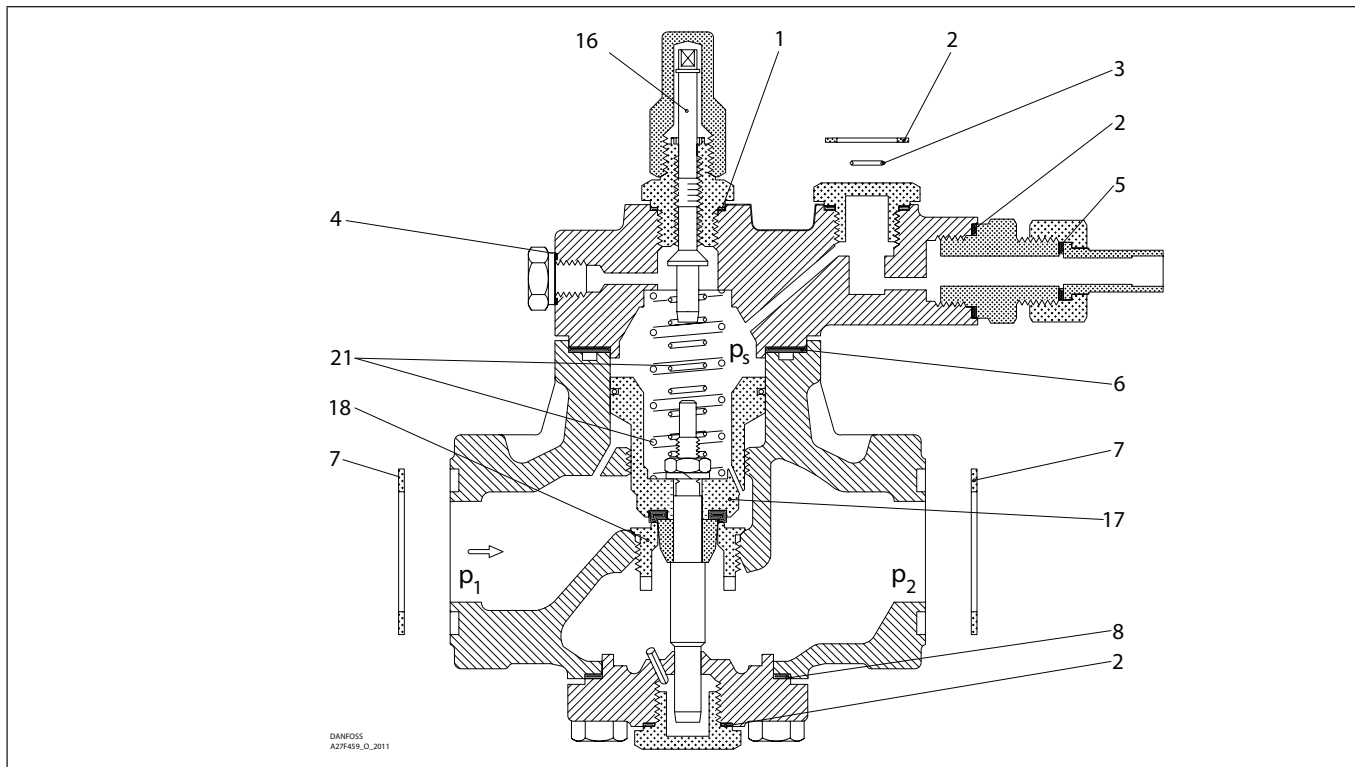


<p>1</p> <p>▨ = Alu.</p> <p>Total no. = 1</p>	<p>2</p> <p>▨ = Fibre</p> <p>Total no. = 4</p>	<p>3</p> <p>Total no. = 3</p>	<p>4</p> <p>▨ = Alu.</p> <p>Total no. = 1</p>	<p>5</p> <p>▨ = Alu.</p> <p>Total no. = 1</p>	<p>6</p> <p>▨ = Fibre</p> <p>Total no. = 1</p>
<p>7</p> <p>▨ = Fibre</p> <p>Total no. = 2</p>	<p>8</p> <p>▨ = Fibre</p> <p>Total no. = 1</p>	<p>9*</p> <p>▨ = Alu.</p> <p>Total no. = 1</p>	<p>10*</p> <p>▨ = Alu.</p> <p>Total no. = 1</p>	<p>16</p>	<p>17</p>
<p>18</p>	<p>21 Standard</p> <p>1 set</p>				

*The spare part is included in the package but is not used for PMFL size 80-6.

For identification and installation of Weak and Strong spring sets please see Installation guide DKRCI.PI.GE1.C

Overhaul kit | Code number 027F0636
PMFL, size 80-7

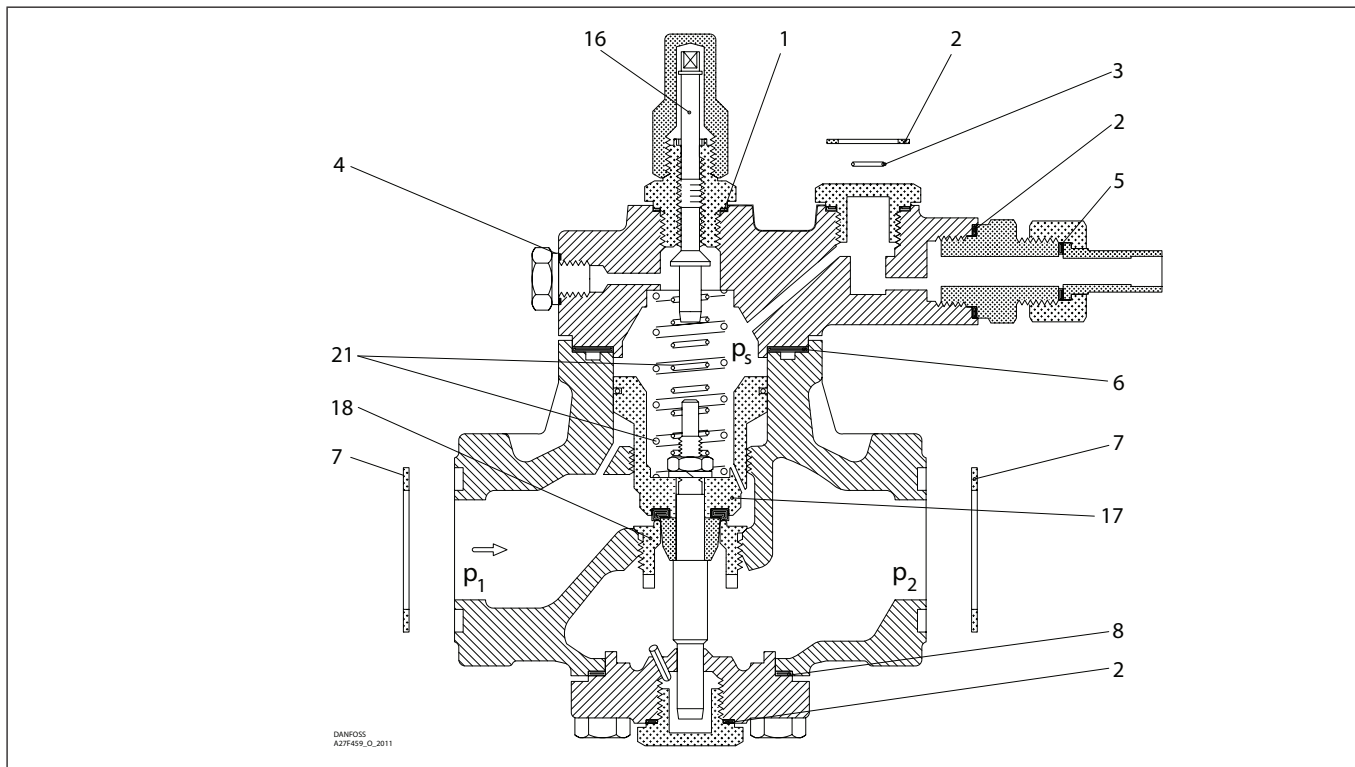


<p>1</p> <p> = Alu.</p> <p>Ø26 mm Ø1.02"</p> <p>Total no. = 1</p>	<p>2</p> <p> = Fibre</p> <p>Ø33 mm Ø1.28"</p> <p>Total no. = 4</p>	<p>3</p> <p> = Alu.</p> <p>Ø9 mm Ø0.36"</p> <p>Total no. = 3</p>	<p>4</p> <p> = Alu.</p> <p>Ø18 mm Ø0.70"</p> <p>Total no. = 1</p>	<p>5</p> <p> = Alu.</p> <p>Ø14 mm Ø0.55"</p> <p>Total no. = 1</p>	<p>6</p> <p> = Fibre</p> <p>Ø75 mm Ø2.95"</p> <p>Total no. = 1</p>
<p>7</p> <p> = Fibre</p> <p>Ø39 mm Ø1.54"</p> <p>Total no. = 2</p>	<p>8</p> <p> = Fibre</p> <p>Ø60 mm Ø2.36"</p> <p>Total no. = 1</p>	<p>9*</p> <p> = Alu.</p> <p>Ø32 mm Ø1.26"</p> <p>Total no. = 1</p>	<p>10*</p> <p> = Alu.</p> <p>Ø22 mm Ø0.87"</p> <p>Total no. = 1</p>	<p>16</p>	<p>17</p> <p>Ø80 mm Ø3.15"</p> <p>30</p>
<p>18</p> <p>Ø23 mm Ø0.91"</p>	<p>21 Standard</p> <p>Ø13 mm Ø0.51"</p> <p>Ø25 mm Ø0.98"</p> <p>1 set</p>				

* The spare part is included in the package but is not used for PMFL size 80-7.

For identification and installation of Weak and Strong spring sets please see Installation guide DKRCL.PIGE1.C

Overhaul kit | Code number 027F0637
PMFL, size 125

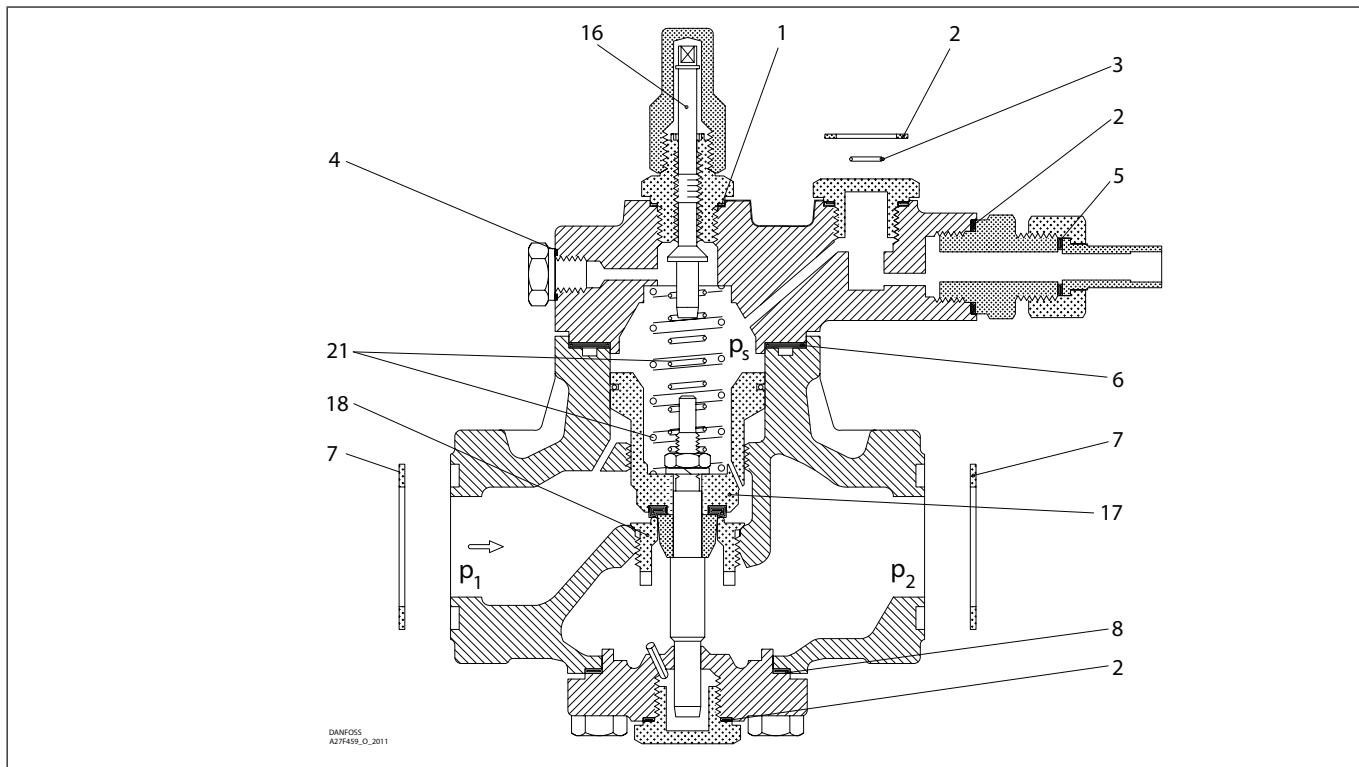


<p>1</p> <p> = Alu.</p> <p></p> <p>Total no. = 1</p>	<p>2</p> <p> = Fibre</p> <p></p> <p>Total no. = 4</p>	<p>3</p> <p></p> <p>Total no. = 3</p>	<p>4</p> <p></p> <p>Total no. = 1</p>	<p>5</p> <p></p> <p>Total no. = 1</p>	<p>6</p> <p></p> <p>Total no. = 1</p>
<p>7</p> <p></p> <p>Total no. = 2</p>	<p>8</p> <p></p> <p>Total no. = 1</p>	<p>9*</p> <p></p> <p>Total no. = 1</p>	<p>10*</p> <p></p> <p>Total no. = 1</p>	<p>16</p> <p></p>	<p>17</p> <p></p>
<p>18</p> <p></p>	<p>21 Standard</p> <p></p> <p>1 set</p>				

* The spare part is included in the package but is not used for PMFL size 125.

For identification and installation of Weak and Strong spring sets please see Installation guide DKRCI.PI.GE1.C

Overhaul kit | Code number 027F0638
PMFL, size 200

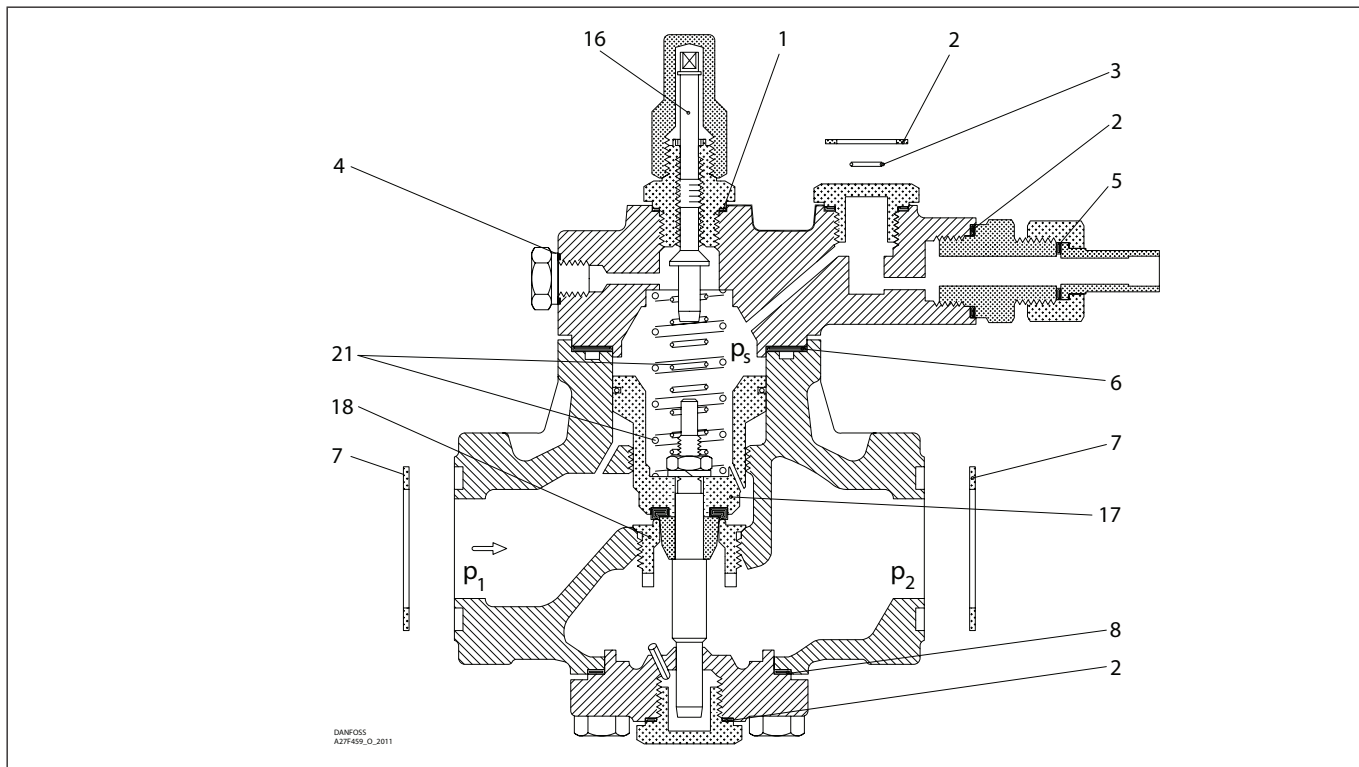


<p>1</p> <p> = Alu.</p> <p>Ø26 mm Ø1.02"</p> <p>Total no. = 1</p>	<p>2</p> <p> = Fibre</p> <p>Ø33 mm Ø1.28"</p> <p>Total no. = 4</p>	<p>3</p> <p> = Alu.</p> <p>Ø9 mm Ø0.36"</p> <p>Total no. = 3</p>	<p>4</p> <p> = Alu.</p> <p>Ø18 mm Ø0.70"</p> <p>Total no. = 1</p>	<p>5</p> <p> = Alu.</p> <p>Ø14 mm Ø0.55"</p> <p>Total no. = 1</p>	<p>6</p> <p> = Fibre</p> <p>Ø93 mm Ø3.66"</p> <p>Total no. = 1</p>
<p>7</p> <p> = Fibre</p> <p>Ø65 mm Ø2.56"</p> <p>Total no. = 2</p>	<p>8</p> <p> = Fibre</p> <p>Ø78 mm Ø3.07"</p> <p>Total no. = 1</p>	<p>9*</p> <p> = Alu.</p> <p>Ø32 mm Ø1.26"</p> <p>Total no. = 1</p>	<p>10*</p> <p> = Alu.</p> <p>Ø22 mm Ø0.87"</p> <p>Total no. = 1</p>	<p>16</p> <p>20 mm 0.79"</p>	<p>17</p> <p>Ø68 mm Ø2.68"</p>
<p>18</p> <p>Ø34 mm Ø1.34"</p>	<p>21 Standard</p> <p>Ø16 mm Ø0.63"</p> <p>Ø35 mm Ø1.38"</p> <p>1 set</p>				

* The spare part is included in the package but is not used for PMFL size 200.

For identification and installation of Weak and Strong spring sets please see Installation guide DKRCI.PI.GE1.C

Overhaul kit | Code number 027F0639
PMFL, size 300

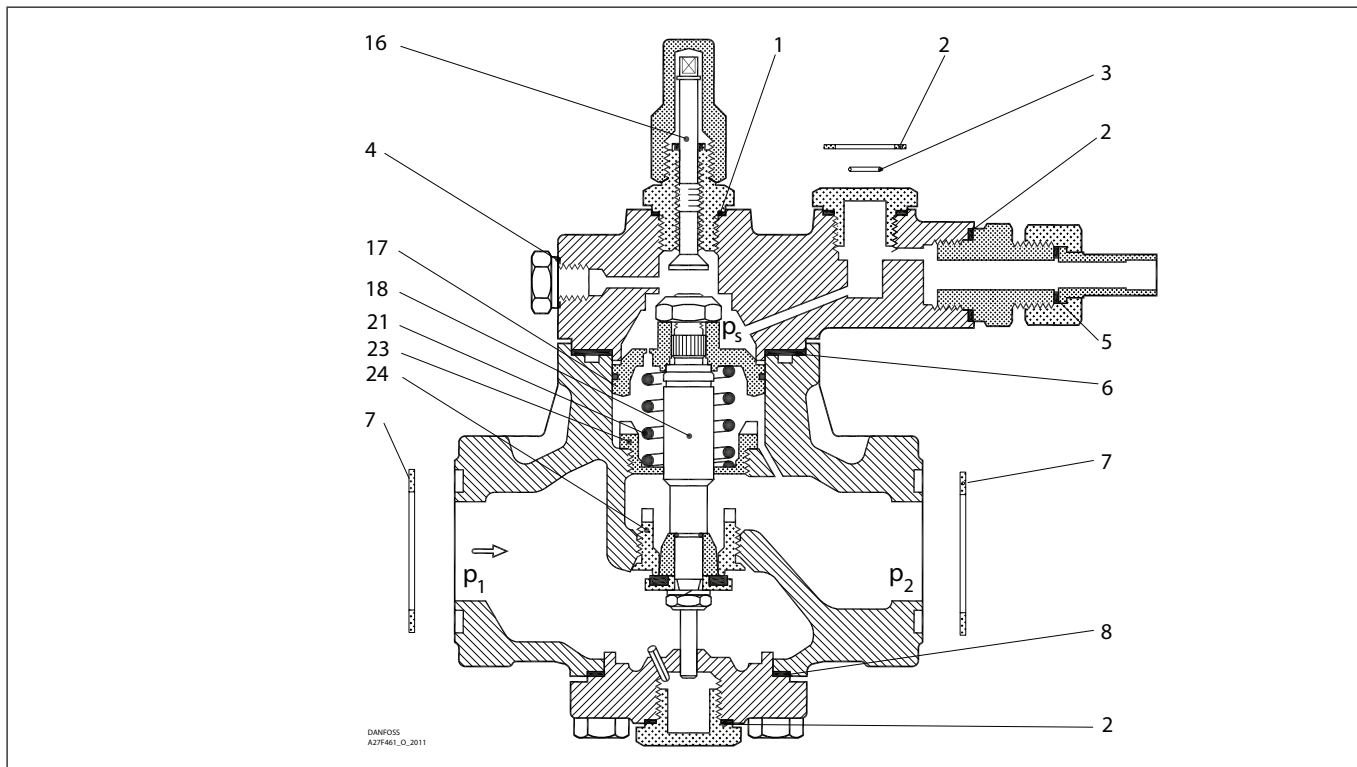


<p>1</p> <p>▨ = Alu.</p> <p>Total no. = 1</p>	<p>2</p> <p>▨ = Fibre</p> <p>Total no. = 4</p>	<p>3</p> <p>Total no. = 3</p>	<p>4</p> <p>▨ = Alu.</p> <p>Total no. = 1</p>	<p>5</p> <p>▨ = Alu.</p> <p>Total no. = 1</p>	<p>6</p> <p>▨ = Fibre</p> <p>Total no. = 1</p>
<p>7</p> <p>▨ = Fibre</p> <p>Total no. = 2</p>	<p>8</p> <p>▨ = Fibre</p> <p>Total no. = 1</p>	<p>9*</p> <p>▨ = Alu.</p> <p>Total no. = 1</p>	<p>10*</p> <p>▨ = Alu.</p> <p>Total no. = 1</p>	<p>16</p>	<p>17</p>
<p>18</p>	<p>21 Standard</p> <p>1 set</p>				

* The spare part is included in the package but is not used for PMFL size 300.

For identification and installation of Weak and Strong spring sets please see Installation guide DKRCI.PI.GE1.C

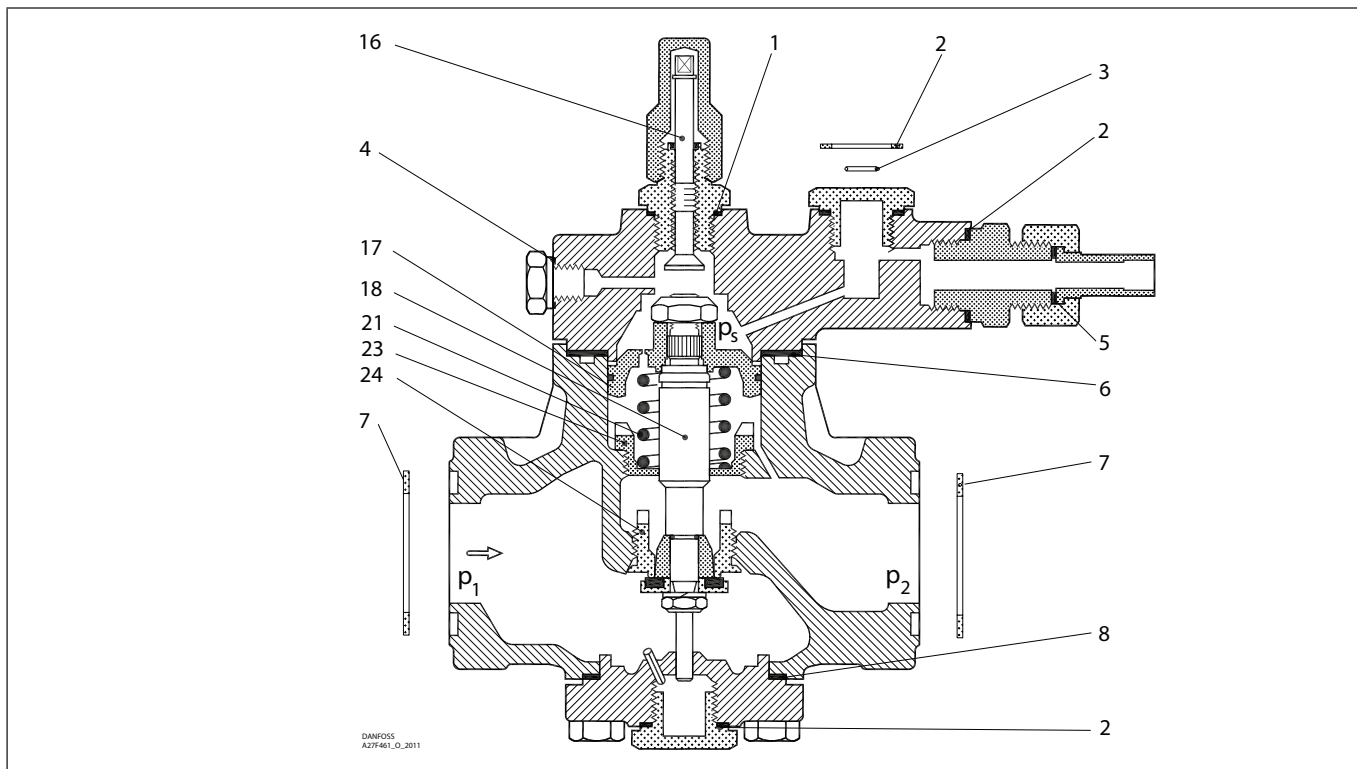
Overhaul kit | Code number 027F0663
PMFH, size 80-2



<p>1</p> <p>▨ = Alu.</p> <p>Ø26 mm Ø1.02"</p> <p>Total no. = 1</p>	<p>2</p> <p>▨ = Fibre</p> <p>Ø33 mm Ø1.28"</p> <p>Total no. = 4</p>	<p>3</p> <p>Ø9 mm Ø0.36"</p> <p>Total no. = 3</p>	<p>4</p> <p>▨ = Alu.</p> <p>Ø18 mm Ø0.70"</p> <p>Total no. = 1</p>	<p>5</p> <p>▨ = Alu.</p> <p>Ø14 mm Ø0.55"</p> <p>Total no. = 1</p>	<p>6</p> <p>▨ = Fibre</p> <p>Ø75 mm Ø2.95"</p> <p>Total no. = 1</p>
<p>7</p> <p>▨ = Fibre</p> <p>Ø39 mm Ø1.54"</p> <p>Total no. = 2</p>	<p>8</p> <p>▨ = Fibre</p> <p>Ø60 mm Ø2.36"</p> <p>Total no. = 1</p>	<p>9*</p> <p>▨ = Alu.</p> <p>Ø32 mm Ø1.26"</p> <p>Total no. = 1</p>	<p>10*</p> <p>▨ = Alu.</p> <p>Ø22 mm Ø0.87"</p> <p>Total no. = 1</p>	<p>16</p>	<p>17</p> <p>Ø50 mm Ø1.97"</p>
<p>18</p> <p>Ø18 mm Ø0.71"</p>	<p>21</p> <p>Standard</p> <p>Ø28 mm Ø1.10"</p> <p>Total no. = 1</p> <p>Weak</p> <p>Ø27 mm Ø1.06"</p> <p>Total no. = 1</p>	<p>23</p> <p>M39</p>	<p>24</p> <p>Ø23 mm Ø0.91"</p>		

* The spare part is included in the package but is not used for PMFH size 80-2.

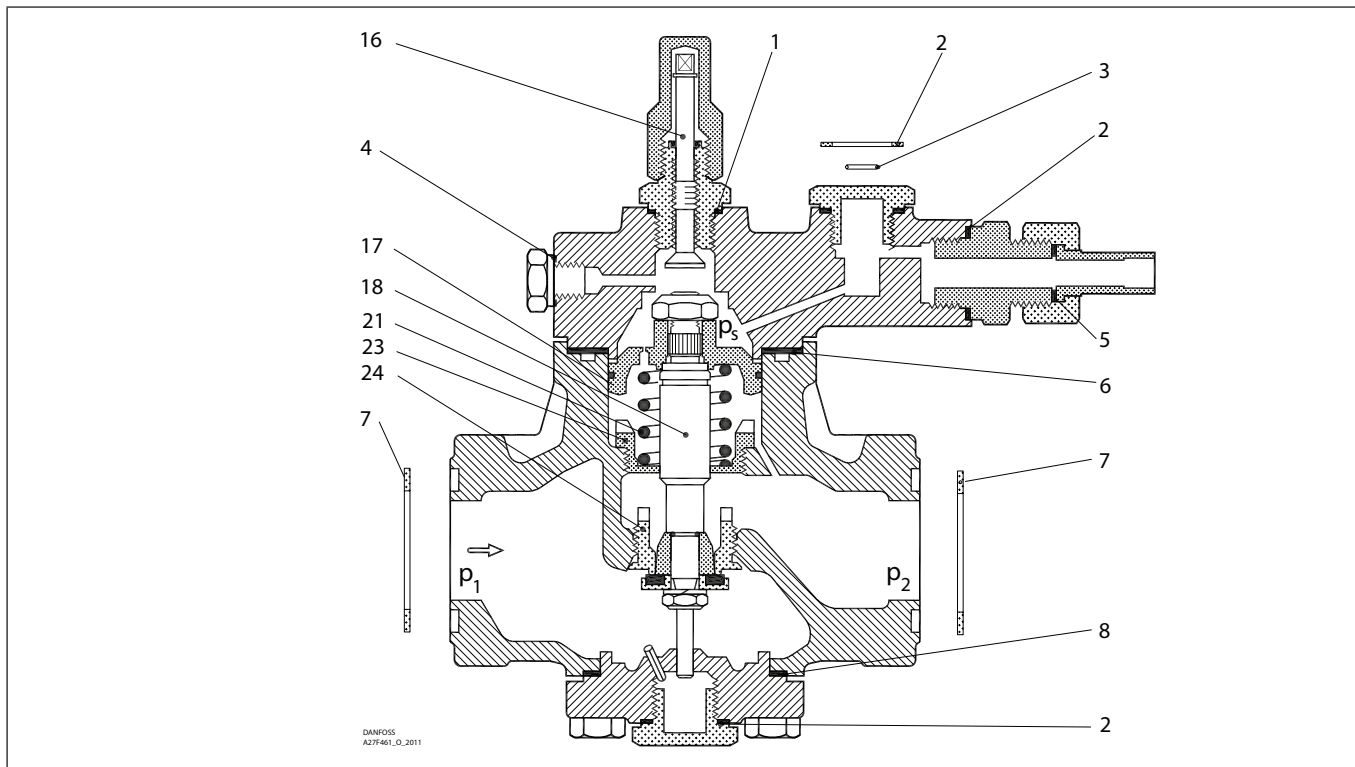
Overhaul kit | Code number 027F0669
PMFH, size 80-3



<p>1</p> <p>▨ = Alu.</p> <p>Total no. = 1</p>	<p>2</p> <p>▨ = Fibre</p> <p>Total no. = 4</p>	<p>3</p> <p>Total no. = 3</p>	<p>4</p> <p>▨ = Alu.</p> <p>Total no. = 1</p>	<p>5</p> <p>▨ = Alu.</p> <p>Total no. = 1</p>	<p>6</p> <p>▨ = Fibre</p> <p>Total no. = 1</p>
<p>7</p> <p>▨ = Fibre</p> <p>Total no. = 2</p>	<p>8</p> <p>▨ = Fibre</p> <p>Total no. = 1</p>	<p>9*</p> <p>▨ = Alu.</p> <p>Total no. = 1</p>	<p>10*</p> <p>▨ = Alu.</p> <p>Total no. = 1</p>	<p>16</p>	<p>17</p>
<p>18</p>	<p>21</p> <p>Standard</p> <p>Total no. = 1</p> <p>Weak</p> <p>Total no. = 1</p>	<p>23</p>	<p>24</p>		

* The spare part is included in the package but is not used for PMFH size 80-3.

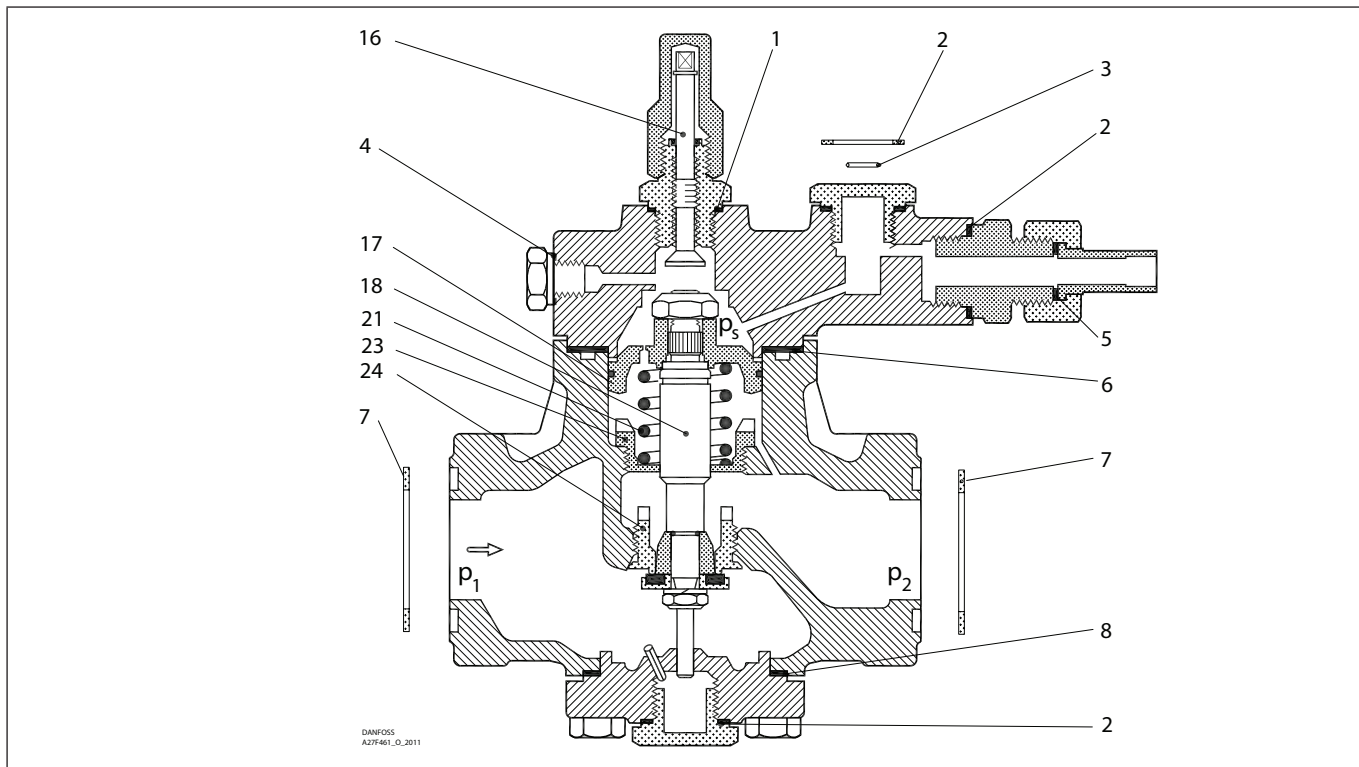
Overhaul kit | Code number 027F0676
PMFH, size 80-4



<p>1</p> <p> = Alu.</p> <p> = Fibre</p> <p>$\varnothing 26 \text{ mm}$ $\varnothing 1.02''$</p> <p>Total no. = 1</p>	<p>2</p> <p> = Alu.</p> <p> = Fibre</p> <p>$\varnothing 33 \text{ mm}$ $\varnothing 1.28''$</p> <p>Total no. = 4</p>	<p>3</p> <p> = Alu.</p> <p>$\varnothing 9 \text{ mm}$ $\varnothing 0.36''$</p> <p>Total no. = 3</p>	<p>4</p> <p> = Alu.</p> <p>$\varnothing 18 \text{ mm}$ $\varnothing 0.70''$</p> <p>Total no. = 1</p>	<p>5</p> <p> = Alu.</p> <p>$\varnothing 14 \text{ mm}$ $\varnothing 0.55''$</p> <p>Total no. = 1</p>	<p>6</p> <p> = Fibre</p> <p>$\varnothing 75 \text{ mm}$ $\varnothing 2.95''$</p> <p>Total no. = 1</p>
<p>7</p> <p> = Fibre</p> <p>$\varnothing 39 \text{ mm}$ $\varnothing 1.54''$</p> <p>Total no. = 2</p>	<p>8</p> <p> = Fibre</p> <p>$\varnothing 60 \text{ mm}$ $\varnothing 2.36''$</p> <p>Total no. = 1</p>	<p>9*</p> <p> = Alu.</p> <p>$\varnothing 32 \text{ mm}$ $\varnothing 1.26''$</p> <p>Total no. = 1</p>	<p>10*</p> <p> = Alu.</p> <p>$\varnothing 22 \text{ mm}$ $\varnothing 0.87''$</p> <p>Total no. = 1</p>	<p>16</p>	<p>17</p> <p>$\varnothing 50 \text{ mm}$ $\varnothing 1.97''$</p>
<p>18</p> <p>$\varnothing 18 \text{ mm}$ $\varnothing 0.71''$</p>	<p>21</p> <p>Standard</p> <p> $\varnothing 28 \text{ mm}$ $\varnothing 1.10''$</p> <p>Total no. = 1</p> <p>Weak</p> <p> $\varnothing 27 \text{ mm}$ $\varnothing 1.06''$</p> <p>Total no. = 1</p>	<p>23</p> <p>M39</p>	<p>24</p> <p>$\varnothing 23 \text{ mm}$ $\varnothing 0.91''$</p>		

* The spare part is included in the package but is not used for PMFH size 80-4.

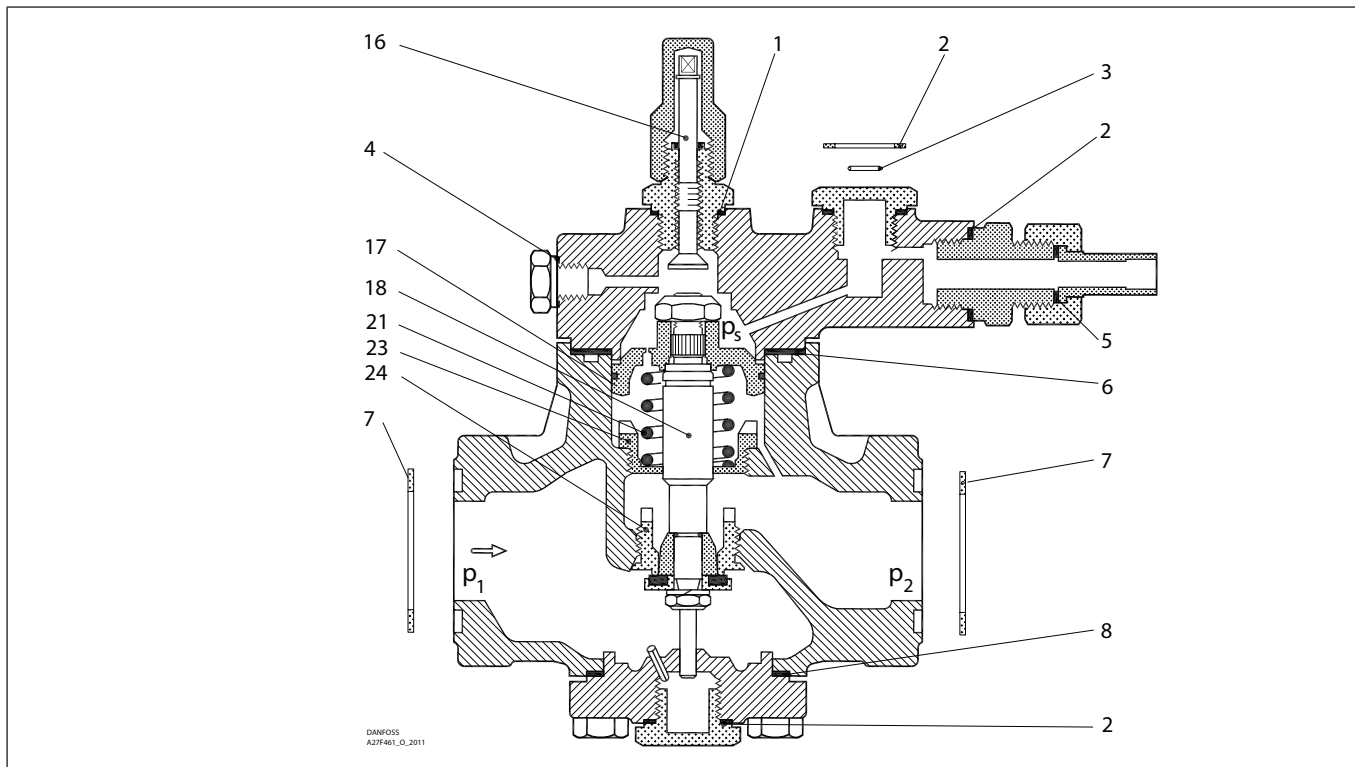
Overhaul kit | Code number 027F0677
PMFH, size 80-5



<p>1</p> <p> = Alu.</p> <p>$\varnothing 26 \text{ mm}$ $\varnothing 1.02''$</p> <p>Total no. = 1</p>	<p>2</p> <p> = Fibre</p> <p>$\varnothing 33 \text{ mm}$ $\varnothing 1.28''$</p> <p>Total no. = 4</p>	<p>3</p> <p> = Alu.</p> <p>$\varnothing 9 \text{ mm}$ $\varnothing 0.36''$</p> <p>Total no. = 3</p>	<p>4</p> <p> = Alu.</p> <p>$\varnothing 18 \text{ mm}$ $\varnothing 0.70''$</p> <p>Total no. = 1</p>	<p>5</p> <p> = Alu.</p> <p>$\varnothing 14 \text{ mm}$ $\varnothing 0.55''$</p> <p>Total no. = 1</p>	<p>6</p> <p> = Fibre</p> <p>$\varnothing 75 \text{ mm}$ $\varnothing 2.95''$</p> <p>Total no. = 1</p>
<p>7</p> <p> = Fibre</p> <p>$\varnothing 39 \text{ mm}$ $\varnothing 1.54''$</p> <p>Total no. = 2</p>	<p>8</p> <p> = Fibre</p> <p>$\varnothing 60 \text{ mm}$ $\varnothing 2.36''$</p> <p>Total no. = 1</p>	<p>9*</p> <p> = Alu.</p> <p>$\varnothing 32 \text{ mm}$ $\varnothing 1.26''$</p> <p>Total no. = 1</p>	<p>10*</p> <p> = Alu.</p> <p>$\varnothing 22 \text{ mm}$ $\varnothing 0.87''$</p> <p>Total no. = 1</p>	<p>16</p>	<p>17</p> <p>$\varnothing 50 \text{ mm}$ $\varnothing 1.97''$</p>
<p>18</p> <p>$\varnothing 18 \text{ mm}$ $\varnothing 0.71''$</p>	<p>21</p> <p>Standard</p> <p>$\varnothing 28 \text{ mm}$ $\varnothing 1.10''$</p> <p>Total no. = 1</p> <p>Weak</p> <p>$\varnothing 27 \text{ mm}$ $\varnothing 1.06''$</p> <p>Total no. = 1</p>	<p>23</p> <p>M39</p>	<p>24</p> <p>$\varnothing 23 \text{ mm}$ $\varnothing 0.91''$</p>		

* The spare part is included in the package but is not used for PMFH size 80-5.

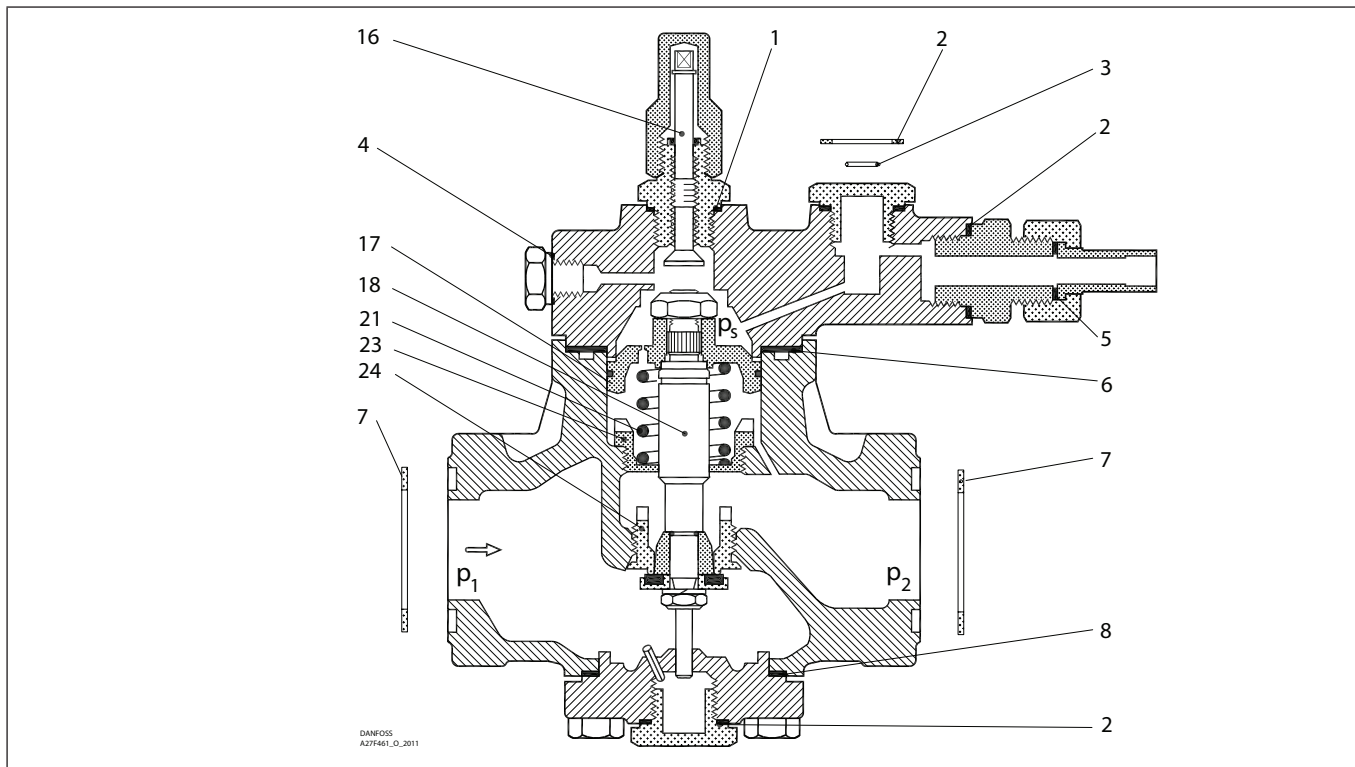
Overhaul kit | Code number 027F0678
PMFH, size 80-6



<p>1</p> <p> = Alu.</p> <p> = Fibre</p> <p></p> <p>Total no. = 1</p>	<p>2</p> <p> = Alu.</p> <p> = Fibre</p> <p></p> <p>Total no. = 4</p>	<p>3</p> <p> = Alu.</p> <p></p> <p>Total no. = 3</p>	<p>4</p> <p> = Alu.</p> <p></p> <p>Total no. = 1</p>	<p>5</p> <p> = Alu.</p> <p></p> <p>Total no. = 1</p>	<p>6</p> <p> = Fibre</p> <p></p> <p>Total no. = 1</p>
<p>7</p> <p> = Fibre</p> <p></p> <p>Total no. = 2</p>	<p>8</p> <p> = Fibre</p> <p></p> <p>Total no. = 1</p>	<p>9*</p> <p> = Alu.</p> <p></p> <p>Total no. = 1</p>	<p>10*</p> <p> = Alu.</p> <p></p> <p>Total no. = 1</p>	<p>16</p> <p></p>	<p>17</p> <p></p>
<p>18</p> <p></p>	<p>21</p> <p>Standard</p> <p></p> <p>Total no. = 1</p> <p>Weak</p> <p></p> <p>Total no. = 1</p>	<p>23</p> <p></p>	<p>24</p> <p></p>		

* The spare part is included in the package but is not used for PMFH size 80-6.

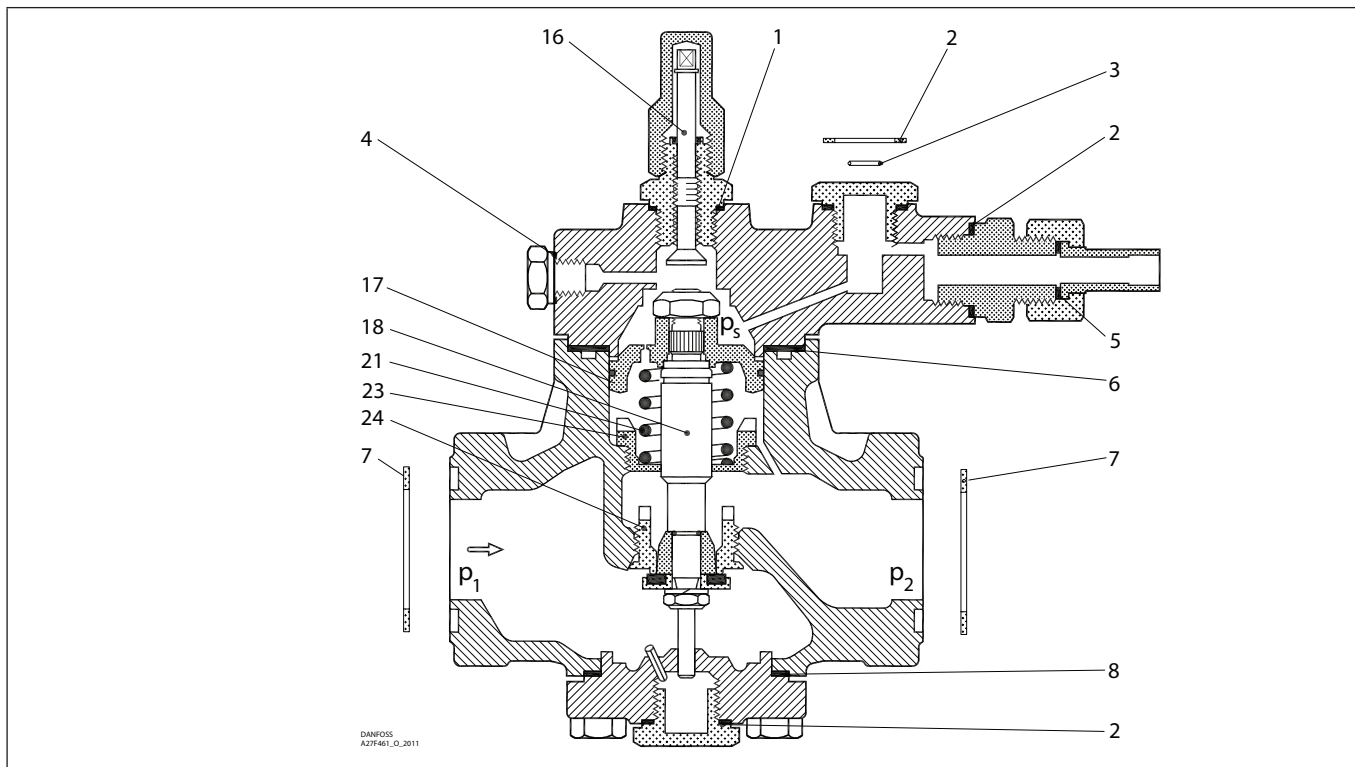
Overhaul kit | Code number 027F0700
PMFH, size 80-7



<p>1</p> <p>▨ = Alu.</p> <p>Ø26 mm Ø1.02"</p> <p>Total no. = 1</p>	<p>2</p> <p>▨ = Fibre</p> <p>Ø33 mm Ø1.28"</p> <p>Total no. = 4</p>	<p>3</p> <p>Ø9 mm Ø0.36"</p> <p>Total no. = 3</p>	<p>4</p> <p>▨ = Alu.</p> <p>Ø18 mm Ø0.70"</p> <p>Total no. = 1</p>	<p>5</p> <p>▨ = Alu.</p> <p>Ø14 mm Ø0.55"</p> <p>Total no. = 1</p>	<p>6</p> <p>▨ = Fibre</p> <p>Ø75 mm Ø2.95"</p> <p>Total no. = 1</p>
<p>7</p> <p>▨ = Fibre</p> <p>Ø39 mm Ø1.54"</p> <p>Total no. = 2</p>	<p>8</p> <p>▨ = Fibre</p> <p>Ø60 mm Ø2.36"</p> <p>Total no. = 1</p>	<p>9*</p> <p>▨ = Alu.</p> <p>Ø32 mm Ø1.26"</p> <p>Total no. = 1</p>	<p>10*</p> <p>▨ = Alu.</p> <p>Ø22 mm Ø0.87"</p> <p>Total no. = 1</p>	<p>16</p>	<p>17</p> <p>Ø50 mm Ø1.97"</p>
<p>18</p> <p>Ø18 mm Ø0.71"</p>	<p>21</p> <p>Standard</p> <p>Ø28 mm Ø1.10"</p> <p>Total no. = 1</p> <p>Weak</p> <p>Ø27 mm Ø1.06"</p> <p>Total no. = 1</p>	<p>23</p> <p>M39</p>	<p>24</p> <p>Ø23 mm Ø0.91"</p>		

* The spare part is included in the package but is not used for PMFH size 80-7.

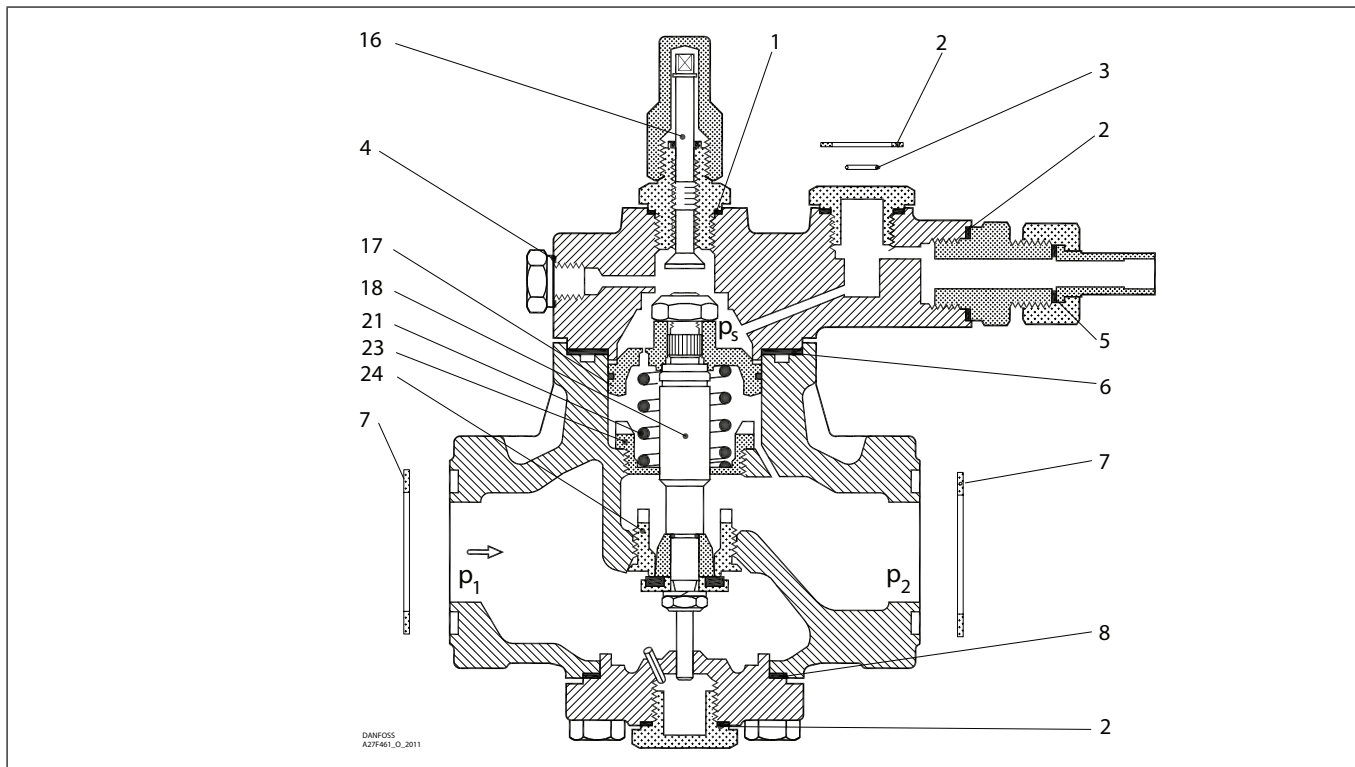
Overhaul kit | Code number 027F0704
PMFH, size 125



<p>1</p> <p>Alu.</p> <p>Ø26 mm Ø1.02"</p> <p>Total no. = 1</p>	<p>2</p> <p>Fibre</p> <p>Ø33 mm Ø1.28"</p> <p>Total no. = 4</p>	<p>3</p> <p>Ø9 mm Ø0.36"</p> <p>Total no. = 3</p>	<p>4</p> <p>Alu.</p> <p>Ø18 mm Ø0.70"</p> <p>Total no. = 1</p>	<p>5</p> <p>Alu.</p> <p>Ø22 mm Ø0.87"</p> <p>Total no. = 1</p>	<p>6</p> <p>Fibre</p> <p>Ø85 mm Ø3.35"</p> <p>Total no. = 1</p>
<p>7</p> <p>Fibre</p> <p>Ø58 mm Ø2.28"</p> <p>Total no. = 2</p>	<p>8</p> <p>Fibre</p> <p>Ø70 mm Ø2.76"</p> <p>Total no. = 1</p>	<p>9*</p> <p>Alu.</p> <p>Ø32 mm Ø1.26"</p> <p>Total no. = 1</p>	<p>10*</p> <p>Alu.</p> <p>Ø22 mm Ø0.87"</p> <p>Total no. = 1</p>	<p>16</p>	<p>17</p> <p>Ø60 mm Ø2.36"</p>
<p>18</p> <p>Ø21 mm Ø0.83"</p>	<p>21</p> <p>Standard</p> <p>Ø29 mm Ø1.14"</p> <p>Total no. = 1</p> <p>Weak</p> <p>Ø27 mm Ø1.06"</p> <p>Total no. = 1</p>	<p>23</p> <p>M48</p>	<p>24</p> <p>Ø26 mm Ø1.02"</p>		

* The spare part is included in the package but is not used for PMFH size 125.

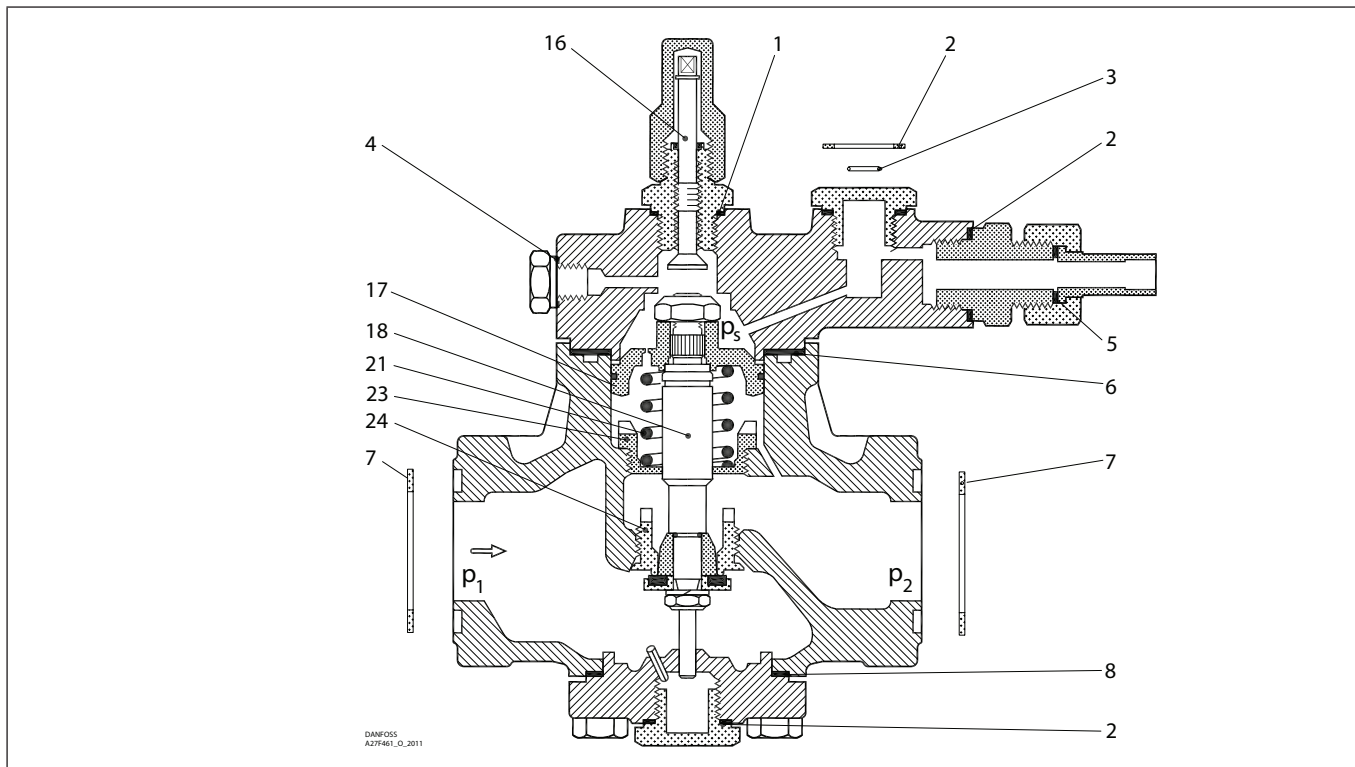
Overhaul kit | Code number 027F0705
PMFH, size 200



<p>1</p> <p>▨ = Alu.</p> <p>Ø26 mm Ø1.02"</p> <p>Total no. = 1</p>	<p>2</p> <p>▨ = Fibre</p> <p>Ø33 mm Ø1.28"</p> <p>Total no. = 4</p>	<p>3</p> <p>Ø9 mm Ø0.36"</p> <p>Total no. = 3</p>	<p>4</p> <p>▨ = Alu.</p> <p>Ø18 mm Ø0.70"</p> <p>Total no. = 1</p>	<p>5</p> <p>▨ = Alu.</p> <p>Ø14 mm Ø0.55"</p> <p>Total no. = 1</p>	<p>6</p> <p>▨ = Fibre</p> <p>Ø93 mm Ø3.66"</p> <p>Total no. = 1</p>
<p>7</p> <p>▨ = Fibre</p> <p>Ø65 mm Ø2.56"</p> <p>Total no. = 2</p>	<p>8</p> <p>▨ = Fibre</p> <p>Ø78 mm Ø3.07"</p> <p>Total no. = 1</p>	<p>9*</p> <p>▨ = Alu.</p> <p>Ø32 mm Ø1.26"</p> <p>Total no. = 1</p>	<p>10*</p> <p>▨ = Alu.</p> <p>Ø22 mm Ø0.87"</p> <p>Total no. = 1</p>	<p>16</p>	<p>17</p> <p>Ø68 mm Ø2.68"</p>
<p>18</p> <p>Ø26 mm Ø1.02"</p>	<p>21</p> <p>Standard</p> <p>Ø29 mm Ø1.14"</p> <p>Total no. = 1</p> <p>Weak</p> <p>Ø27 mm Ø1.06"</p> <p>Total no. = 1</p>	<p>23</p> <p>M52</p>	<p>24</p> <p>Ø34 mm Ø1.34"</p>		

* The spare part is included in the package but is not used for PMFH size 200.

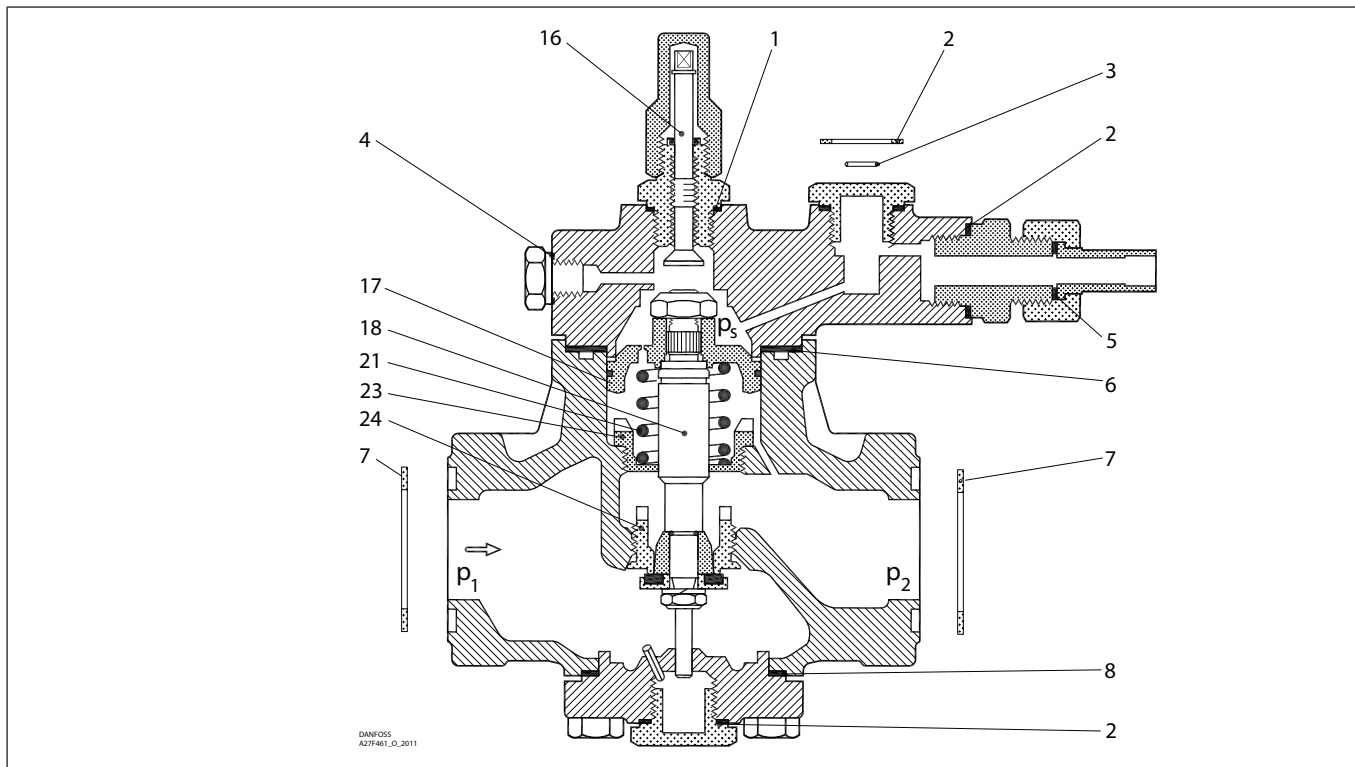
Overhaul kit | Code number 027F0709
PMFH, size 300



<p>1</p> <p> = Alu.</p> <p>Total no. = 1</p>	<p>2</p> <p> = Fibre</p> <p>Total no. = 4</p>	<p>3</p> <p> = Alu.</p> <p>Total no. = 3</p>	<p>4</p> <p> = Alu.</p> <p>Total no. = 1</p>	<p>5</p> <p> = Alu.</p> <p>Total no. = 1</p>	<p>6</p> <p> = Fibre</p> <p>Total no. = 1</p>
<p>7</p> <p> = Fibre</p> <p>Total no. = 2</p>	<p>8</p> <p> = Fibre</p> <p>Total no. = 1</p>	<p>9*</p> <p> = Alu.</p> <p>Total no. = 1</p>	<p>10*</p> <p> = Alu.</p> <p>Total no. = 1</p>	<p>16</p>	<p>17</p>
<p>18</p>	<p>21</p> <p>Standard</p> <p>Total no. = 1</p> <p>Weak</p> <p>Total no. = 1</p>	<p>23</p>	<p>24</p>		

* The spare part is included in the package but is not used for PMFH size 300.

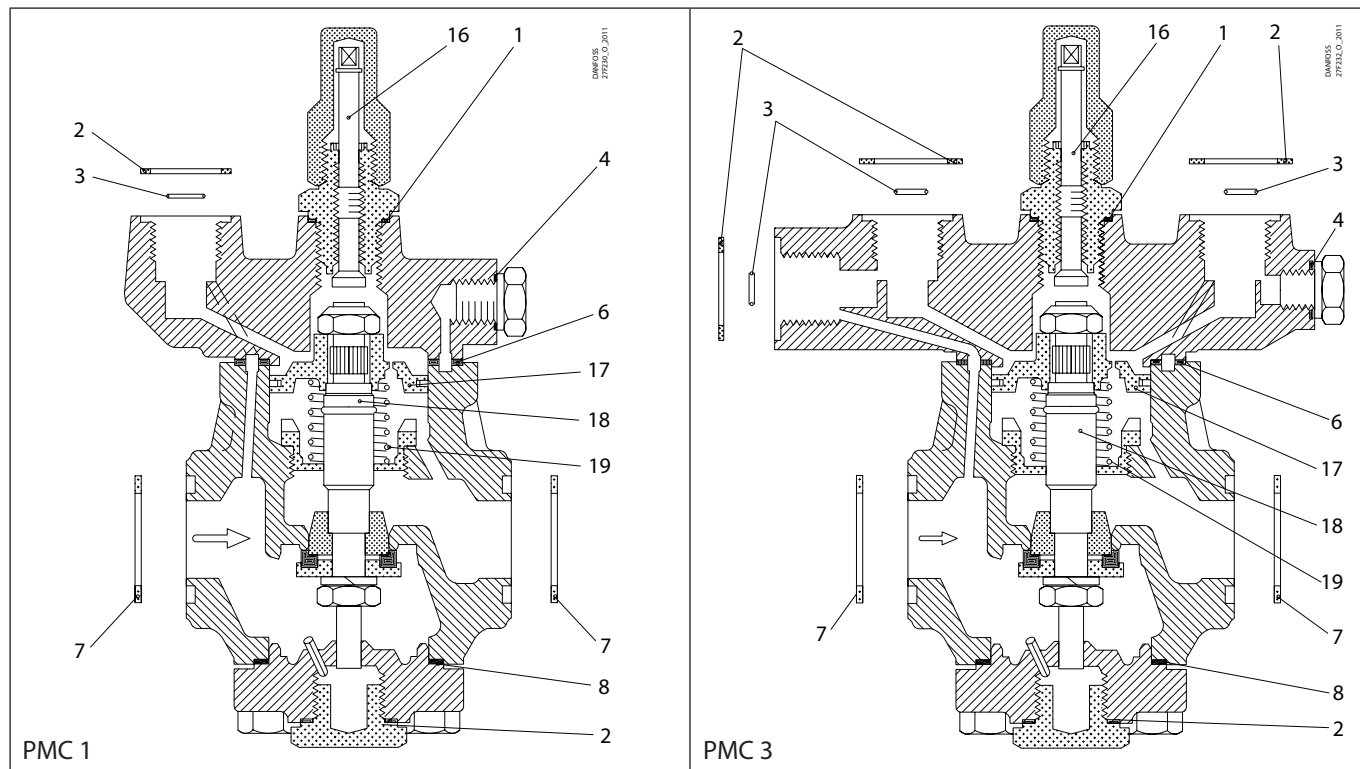
Overhaul kit | Code number 027F0710
PMFH, size 500



<p>1</p> <p>▨ = Alu.</p> <p>Ø26 mm Ø1.02"</p> <p>Total no. = 1</p>	<p>2</p> <p>▨ = Fibre</p> <p>Ø33 mm Ø1.28"</p> <p>Total no. = 4</p>	<p>3</p> <p>Ø9 mm Ø0.36"</p> <p>Total no. = 3</p>	<p>4</p> <p>▨ = Alu.</p> <p>Ø18 mm Ø0.70"</p> <p>Total no. = 1</p>	<p>5</p> <p>▨ = Alu.</p> <p>Ø14 mm Ø0.55"</p> <p>Total no. = 1</p>	<p>6</p> <p>▨ = Fibre</p> <p>Ø127 mm Ø5"</p> <p>Total no. = 1</p>
<p>7</p> <p>▨ = Fibre</p> <p>Ø87 mm Ø3.43"</p> <p>Total no. = 2</p>	<p>8</p> <p>▨ = Fibre</p> <p>Ø112 mm Ø4.41"</p> <p>Total no. = 1</p>	<p>9*</p> <p>▨ = Alu.</p> <p>Ø32 mm Ø1.26"</p> <p>Total no. = 1</p>	<p>10*</p> <p>▨ = Alu.</p> <p>Ø22 mm Ø0.87"</p> <p>Total no. = 1</p>	<p>16</p>	<p>17</p> <p>Ø100 mm Ø3.94"</p>
<p>18</p> <p>Ø42 mm Ø1.65"</p>	<p>21</p> <p>Standard</p> <p>Ø36 mm Ø1.42"</p> <p>Total no. = 1</p> <p>Weak</p> <p>Ø33 mm Ø1.30"</p> <p>Total no. = 1</p>	<p>23</p> <p>M80</p>	<p>24</p> <p>Ø50 mm Ø1.97"</p>		

* The spare part is included in the package but is not used for PMFH size 500.

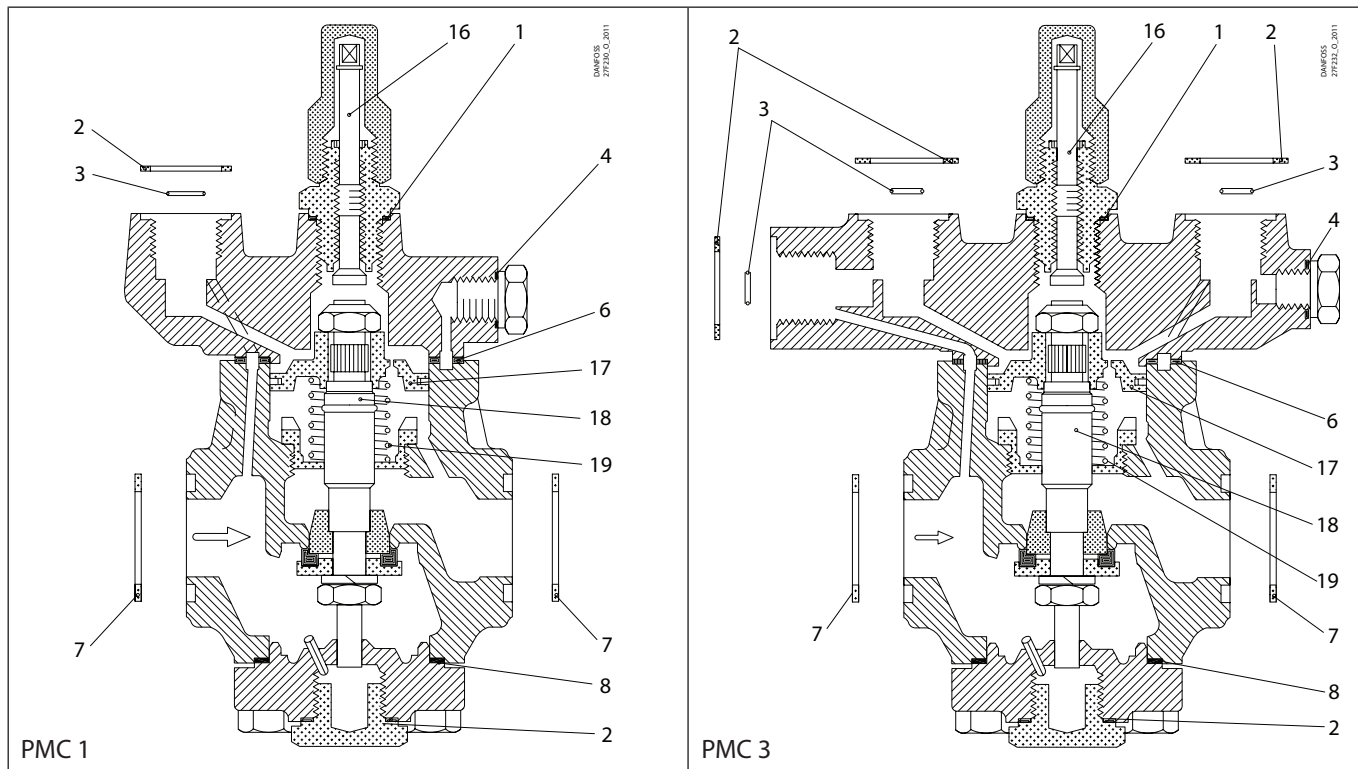
Overhaul kit | Code number 027F0770 PMC, size 5



<p>1</p> <p> = Alu.</p> <p>Total no. = 1</p>	<p>2</p> <p> = Fibre</p> <p>Total no. = 4</p>	<p>3</p> <p>Total no. = 3</p>	<p>4</p> <p> = Alu.</p> <p>Total no. = 1</p>	<p>5*</p> <p> = Alu.</p> <p>Total no. = 1</p>	<p>6</p> <p> = Fibre</p> <p>Total no. = 1</p>
<p>7</p> <p> = Fibre</p> <p>Total no. = 2</p>	<p>8</p> <p> = Fibre</p> <p>Total no. = 1</p>	<p>9*</p> <p> = Alu.</p> <p>Total no. = 1</p>	<p>10*</p> <p> = Alu.</p> <p>Total no. = 1</p>	<p>16</p>	<p>17</p>
<p>18</p>	<p>19</p> <p>Total no. = 1</p>				

* The spare part is included in the package but is not used for PMC 1 or PMC 3.

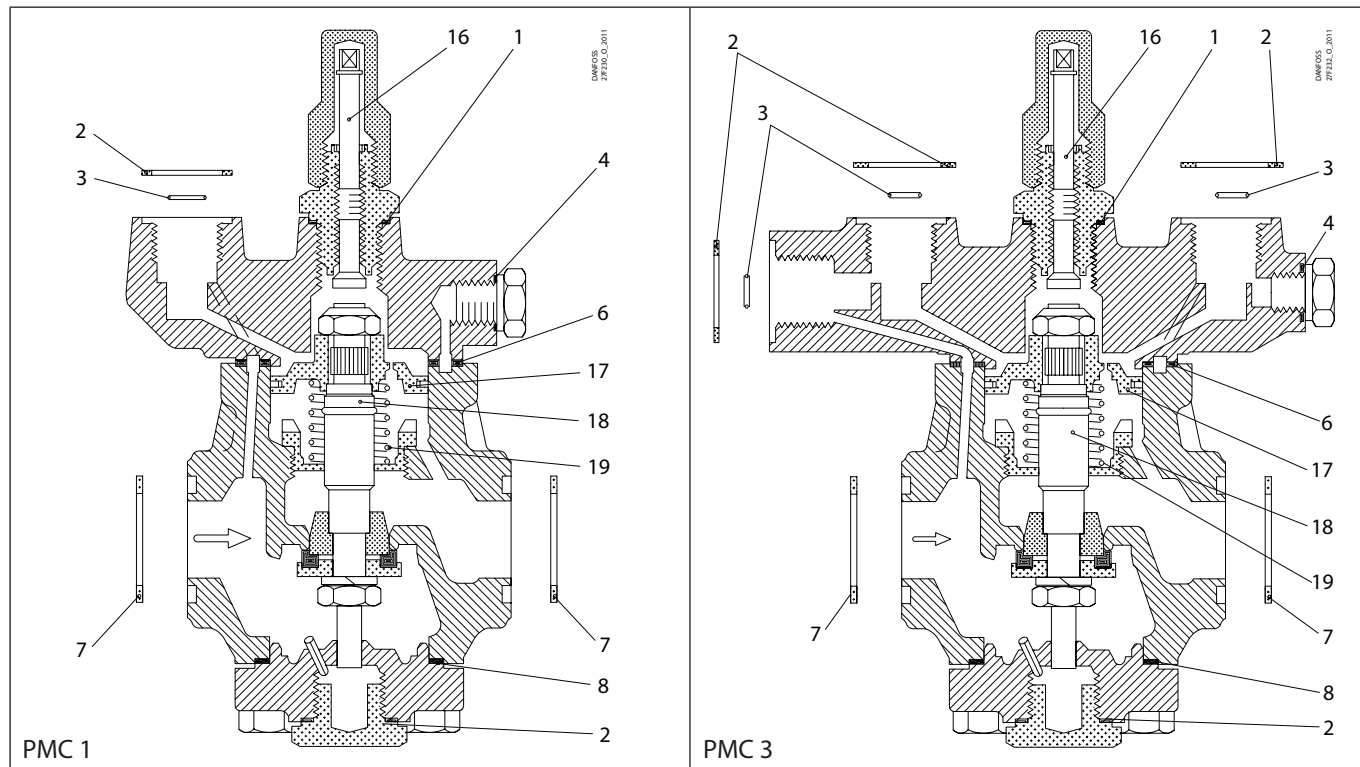
Overhaul kit | Code number 027F0754 PMC, size 8



<p>1</p> <p>▨ = Alu.</p> <p>Ø26 mm Ø1.02"</p> <p>Total no. = 1</p>	<p>2</p> <p>▨ = Fibre</p> <p>Ø33 mm Ø1.28"</p> <p>Total no. = 4</p>	<p>3</p> <p>Ø9 mm Ø0.36"</p> <p>Total no. = 3</p>	<p>4</p> <p>▨ = Alu.</p> <p>Ø18 mm Ø0.70"</p> <p>Total no. = 1</p>	<p>5*</p> <p>▨ = Alu.</p> <p>Ø14 mm Ø0.55"</p> <p>Total no. = 1</p>	<p>6</p> <p>▨ = Fibre</p> <p>Ø75 mm Ø2.95"</p> <p>Total no. = 1</p>
<p>7</p> <p>▨ = Fibre</p> <p>Ø39 mm Ø1.54"</p> <p>Total no. = 2</p>	<p>8</p> <p>▨ = Fibre</p> <p>Ø60 mm Ø2.36"</p> <p>Total no. = 1</p>	<p>9*</p> <p>▨ = Alu.</p> <p>Ø32 mm Ø1.26"</p> <p>Total no. = 1</p>	<p>10*</p> <p>▨ = Alu.</p> <p>Ø22 mm Ø0.87"</p> <p>Total no. = 1</p>	<p>16</p>	<p>17</p> <p>Ø50 mm Ø1.97"</p>
<p>18</p> <p>Ø26 mm Ø1.02"</p>	<p>19</p> <p>Ø26 mm Ø1.04"</p> <p>Total no. = 1</p>				

* The spare part is included in the package but is not used for PMC 1 or PMC 3.

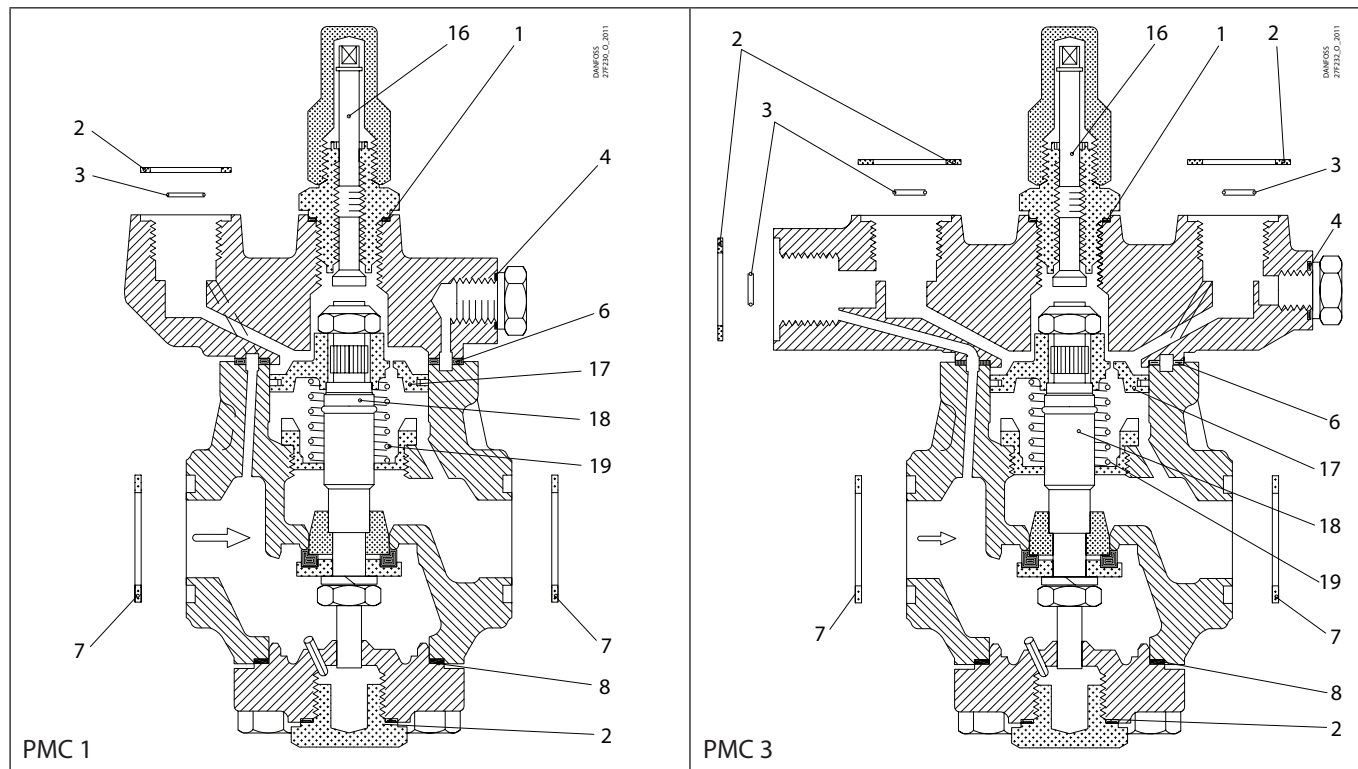
Overhaul kit | Code number 027F0755
PMC, size 12



<p>1</p> <p> = Alu.</p> <p> $\varnothing 26 \text{ mm}$ $\varnothing 1.02''$</p> <p>Total no. = 1</p>	<p>2</p> <p> = Fibre</p> <p> $\varnothing 33 \text{ mm}$ $\varnothing 1.28''$</p> <p>Total no. = 4</p>	<p>3</p> <p> = Alu.</p> <p> $\varnothing 9 \text{ mm}$ $\varnothing 0.36''$</p> <p>Total no. = 3</p>	<p>4</p> <p> = Alu.</p> <p> $\varnothing 18 \text{ mm}$ $\varnothing 0.70''$</p> <p>Total no. = 1</p>	<p>5*</p> <p> = Alu.</p> <p> $\varnothing 14 \text{ mm}$ $\varnothing 0.55''$</p> <p>Total no. = 1</p>	<p>6</p> <p> = Fibre</p> <p> $\varnothing 75 \text{ mm}$ $\varnothing 2.95''$</p> <p>Total no. = 1</p>
<p>7</p> <p> = Fibre</p> <p> $\varnothing 39 \text{ mm}$ $\varnothing 1.54''$</p> <p>Total no. = 2</p>	<p>8</p> <p> = Fibre</p> <p> $\varnothing 60 \text{ mm}$ $\varnothing 2.36''$</p> <p>Total no. = 1</p>	<p>9*</p> <p> = Alu.</p> <p> $\varnothing 32 \text{ mm}$ $\varnothing 1.26''$</p> <p>Total no. = 1</p>	<p>10*</p> <p> = Alu.</p> <p> $\varnothing 22 \text{ mm}$ $\varnothing 0.87''$</p> <p>Total no. = 1</p>	<p>16</p>	<p>17</p> $\varnothing 50 \text{ mm}$ $\varnothing 1.97''$
<p>18</p> $\varnothing 26 \text{ mm}$ $\varnothing 1.02''$	<p>19</p> $\varnothing 26 \text{ mm}$ $\varnothing 1.04''$				

* The spare part is included in the package but is not used for PMC 1 or PMC 3..

Overhaul kit | Code number 027F0756
PMC, size 20



<p>1</p> <p> = Alu.</p> <p>Total no. = 1</p>	<p>2</p> <p> = Fibre</p> <p>Total no. = 4</p>	<p>3</p> <p>Total no. = 3</p>	<p>4</p> <p> = Alu.</p> <p>Total no. = 1</p>	<p>5*</p> <p> = Alu.</p> <p>Total no. = 1</p>	<p>6</p> <p> = Fibre</p> <p>Total no. = 1</p>
<p>7</p> <p> = Fibre</p> <p>Total no. = 2</p>	<p>8</p> <p> = Fibre</p> <p>Total no. = 1</p>	<p>9*</p> <p> = Alu.</p> <p>Total no. = 1</p>	<p>10*</p> <p> = Alu.</p> <p>Total no. = 1</p>	<p>16</p>	<p>17</p>
<p>18</p>	<p>19</p> <p>Total no. = 1</p>				

* The spare part is included in the package but is not used for PMC 1 or PMC 3..

Accessories

ICV PM flanged valve housings

ICV PM flanged valve housings can replace the PM valves on already installed refrigeration systems.

Pressure range

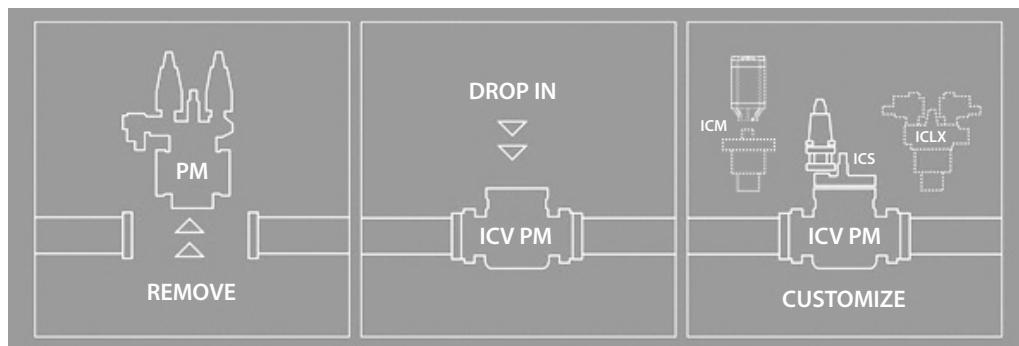
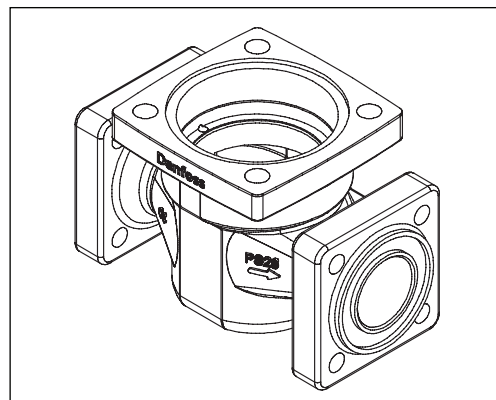
The ICV PM valve housing is designed for a max. working pressure of 28 bar g (406 psig) and therefore a suitable replacement for PM valves in the service market. They also offer the same drop-in dimensions as the PM valves.

Description	Code no.
ICV 25 PM Valve housing	027H2119 *)
ICV 32 PM Valve housing	027H3129 *)
ICV 40 PM Valve housing	027H4128 *)
ICV 50 PM Valve housing	027H5127 **)
ICV 65 PM Valve housing	027H6128 **)

*) Includes ICV PM valve housing, flange gaskets and flange bolts.

**) Includes ICV PM valve housing, flange gaskets, flange bolts and flange nuts.

Function modules and top covers must be ordered separately (see the section "Ordering").



ICV (H)A4A flanged valve housings

ICV (H)A4A flanged valve housings can replace the (H)A4A valves on already installed refrigeration systems.

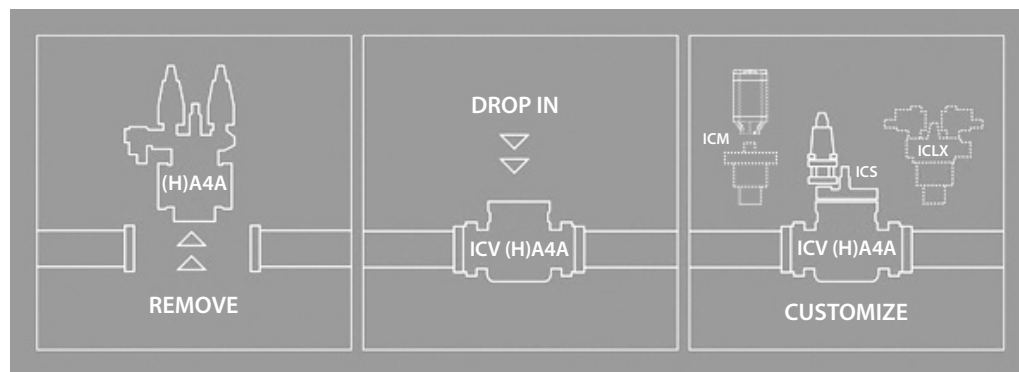
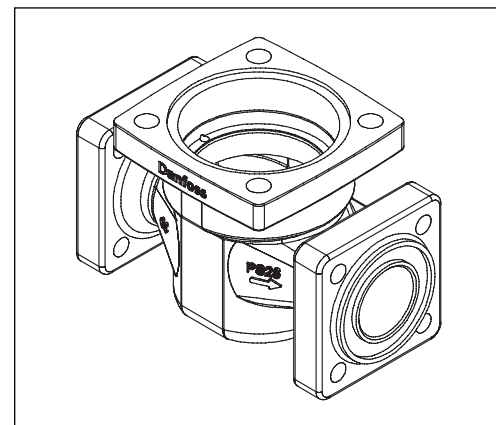
Pressure range

The ICV (H)A4A valve housing is designed for a max. working pressure of 28 bar g (406 psig) and therefore a suitable replacement for (H)A4A valves in the service market. They also offer the same drop-in dimensions as the (H)A4A valves.

Description	Code no.
ICV 25 (H)A4A Valve housing	027H2304 *)
ICV 32 A4A Valve housing	027H3130 *)
ICV 32 HA4A Valve housing	027H3131 *)
ICV 40 (H)A4A Valve housing	027H4129 *)
ICV 50 (H)A4A Valve housing	027H5128 *)
ICV 65 (H)A4A Valve housing	027H6129 *)

*) Includes ICV (H)A4A valve housing, flange gaskets, flange bolts and flange nuts.

Function modules and top covers must be ordered separately (see the section "Ordering").



Danfoss A/S

Climate Solutions • danfoss.com • +45 7488 2222

Any information, including, but not limited to information on selection of product, its application or use, product design, weight, dimensions, capacity or any other technical data in product manuals, catalogues descriptions, advertisements, etc. and whether made available in writing, orally, electronically, online or via download, shall be considered informative, and is only binding if and to the extent, explicit reference is made in a quotation or order confirmation. Danfoss cannot accept any responsibility for possible errors in catalogues, brochures, videos and other material. Danfoss reserves the right to alter its products without notice. This also applies to products ordered but not delivered provided that such alterations can be made without changes to form, fit or function of the product.
All trademarks in this material are property of Danfoss A/S or Danfoss group companies. Danfoss and the Danfoss logo are trademarks of Danfoss A/S. All rights reserved.