

Installation guide

Solenoid valve

Type EV221BW 10 - 22

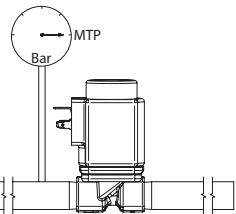
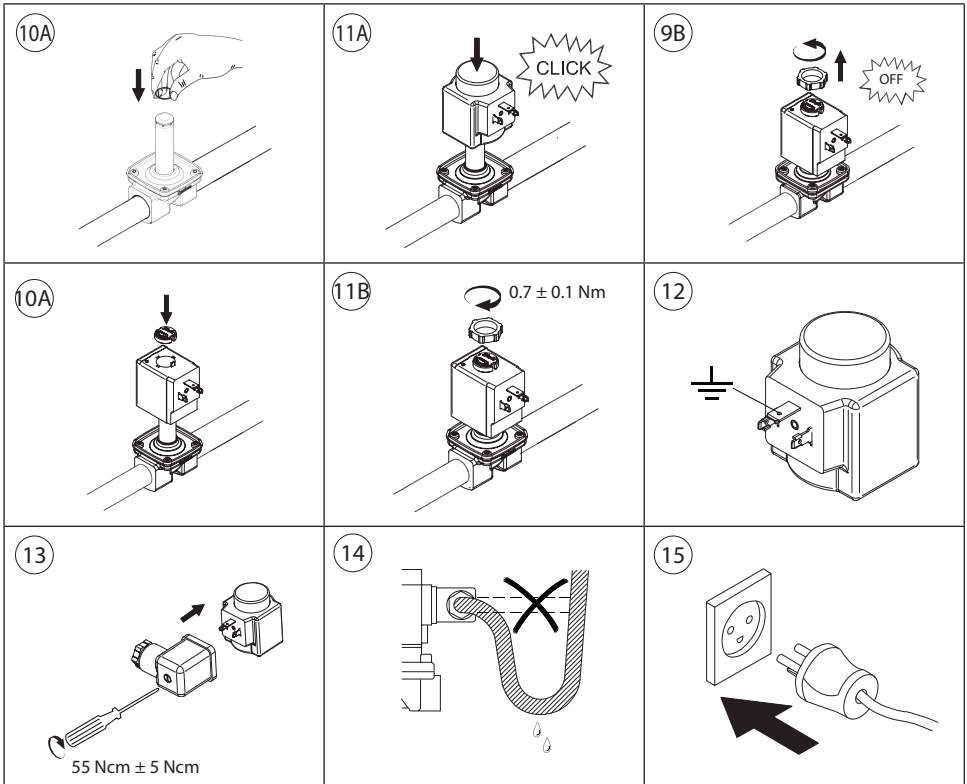
UK
CA

132R9013

132R9013

<p>A</p>	<p>B</p>	<p><input checked="" type="checkbox"/></p> <p>≥ 297 Microns</p> <p><input checked="" type="checkbox"/></p> <p>ON</p> <p>OFF</p> <p>24h</p>
<p>1</p>	<p>2</p>	<p>3</p>
<p>4</p>	<p>5</p>	<p>6</p>
<p>7</p>	<p>8</p>	<p>9A</p>

Info for UK customers only: Danfoss Ltd., 22 Wycombe End, HP9 1NB, GB



Drinking water approval			
		Valid in	Certificate no.
		DK, SE	SCO1555-18 *)
356 Inspected by DTI			
EV221BW 15-22 BE		DK, SE	SCO1555-18 *)
*) http://publiccert.extweb.sp.se/sv/Product/List/ Wetted parts in accordance with DVGW, 4MS, KTW and W270			

DN	Max. Working Pressure (MWP)	Max. Test pressure (PT)
	[bar]	[bar]
10 - 22	10	15
EN 60730-2-8		

Visit www.products.danfoss.com for further technical data
 Para más información, visite www.products.danfoss.es
 Rendez-vous sur le site www.products.danfoss.fr pour plus de données techniques

Any information, including, but not limited to information on selection of product, its application or use, product design, weight, dimensions, capacity or any other technical data in product manuals, catalogues descriptions, advertisements, etc. and whether made available in writing, orally, electronically, online or via download, shall be considered informative, and is only binding if and to the extent, explicit reference is made in a quotation or order confirmation. Danfoss cannot accept any responsibility for possible errors in catalogues, brochures, videos and other material. Danfoss reserves the right to alter its products without notice. This also applies to products ordered but not delivered provided that such alterations can be made without changes to form, fit or function of the product.
 All trademarks in this material are property of Danfoss A/S or Danfoss group companies. Danfoss and the Danfoss logo are trademarks of Danfoss A/S. All rights reserved.