

Data Sheet

PLUS+1[®] Connect CS100 Cellular Gateway



The PLUS+1[®] Connect CS100 Cellular Gateway offers machine owners and operators powerful and highly flexible data and position logging.

The CS100 provides high quality, plug and perform ease of installation, and cost effective solutions to fit the remote monitoring needs of today's mobile machines.

Product highlights

The CS100 includes LTE Cat M1 and 2G cellular communications, GNSS positioning, 2 multifunction I/O, Power Management Port and 2 CAN bus ports. The CS100 is configured and managed from the PLUS+1[®] Connect portal.

Remote machine monitoring

From the PLUS+1[®] Connect portal, the CS100 can be remotely configured to monitor the machine state, performance, and position. Both position and machine data are periodically transmitted and stored to the PLUS+1[®] Connect portal.

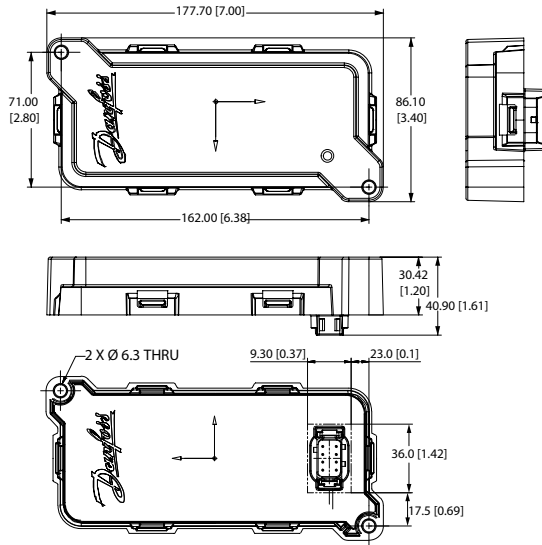
Features

- Easy to install enclosure
- Plug and perform solution
- LTE Cat M1 and 2G cellular
- PLUS+1[®] Connect portal to configure logging of machine and position data
- Firmware-over-the-air (FOTA) update
- Internal cellular and GNSS antennas
- Factory-installed SIM Card
- 2 CAN buses 2.0A/B
- IP67 (with connector mated)
- 2 multifunction I/O
- Power management driven by CL15 including low-power mode with cyclic configurable wake-up
- Flexible mounting options
- GNSS position tracking
- Factory-installed security certificate
- Internal non-volatile memory allows stored Data Logging for:
 - CAN messages
 - GNSS position
 - Internal variables

Comprehensive technical literature is online at www.danfoss.com



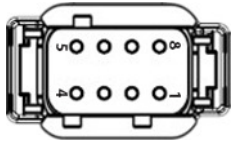
CS100 dimensions in mm [in]



Caution

Warranty will be voided if device is opened.
Device is not field serviceable. Do not open the device.

Power supply/ CAN bus/ I/O connector



Pin	Designation	Color	Description
1	Ground	Black	Power Supply
2	9 to 36 Vdc	Red	Power Supply
3	CAN 1 high	Yellow	CAN bus 1
4	CAN 1 low	Green	CAN bus 1
5	MFIO1/CL15	Brown	Multifunction IO/Ignition
6	MFIO2	Orange	Multifunction IO
7	CAN 2 high	Yellow/White	CAN bus 2
8	CAN 2 low	Green/White	CAN bus 2

Device variants and part numbers

Description	P/N	Applicability Region/Market
CS100 IoT Gateway	11230826	Europe (Including UK), USA, Canada, India
CS100-AUSG	11305497	Australia, Singapore
CS100-BR	11301180	Brazil

Related product and part numbers

DEUTSCH mating connector bag assembly	K29620 (16-20 AWG)
---------------------------------------	-----------------------

Electrical data

DC supply voltage	9 to 36 Vdc
Memory buffering capacity	16 MB
EMI/RFI rating	100 V/m

Mechanical data

Dimension L x W x D	177 x 86 x 41 mm
Housing	Tamper resistant
Color	Black
Operating temperature	-40 to 75°C [-40 to 167°F]
Storage temperature	-40 to 85°C [-40 to 185°F]
IP rating	IP67 (with connector mated) IP69k (when top mounted and with connector plugged in or suitably capped)
Weight	250 grams
Status LED	1 Multi-color

Interface/Protocol/Certification

CAN bus network	2 (ISO 11898-2 High Speed, 2.0A/B)
Multifunction Input/Output	2 (DIN/AIN/ResIN/FreqIN/CrntIN/CL15/DOU)
Radio Module	LTE Cat M1 and 2G cellular
Cat M1 Throughput (UL/DL)	Max 375 kbps / Max 375 kbps
2G-EGPRS Throughput (UL/DL)	Max 236.8 kbps / Max 296 kbps
Cat M1 LTE FDD Bands	B1/B2/B3/B4/B5/B8/B12/B13/B18/B19 /B20/B26/B28
2G - EGPRS Bands	850/900/1800/1900 MHz
GNSS Constellations	GPS, GLONASS, BeiDou, Galileo
Antennas	Cellular and GNSS (Internal)
SIM Card	Factory Installed
Certifications	PTCRB, RED, CE, E-Mark
Vibrations	IEC 60068-2-64
Shock	IEC 60068-2-27 test Ea

System tools

Software	PLUS+1 [®] Connect
----------	-----------------------------

Danfoss can accept no responsibility for possible errors in catalogues, brochures and other printed material. Danfoss reserves the right to alter its products without notice. This also applies to products already on order provided that such alterations can be made without subsequent changes being necessary in specifications already agreed. All trademarks in this material are property of the respective companies. Danfoss and the Danfoss logotype are trademarks of Danfoss A/S. All rights reserved.