

Data Sheet

Crankcase pressure regulator Type **KVL**

Ensures safe compressor operation



Crankcase pressure regulator type KVL is fitted in the suction line ahead of the compressor.

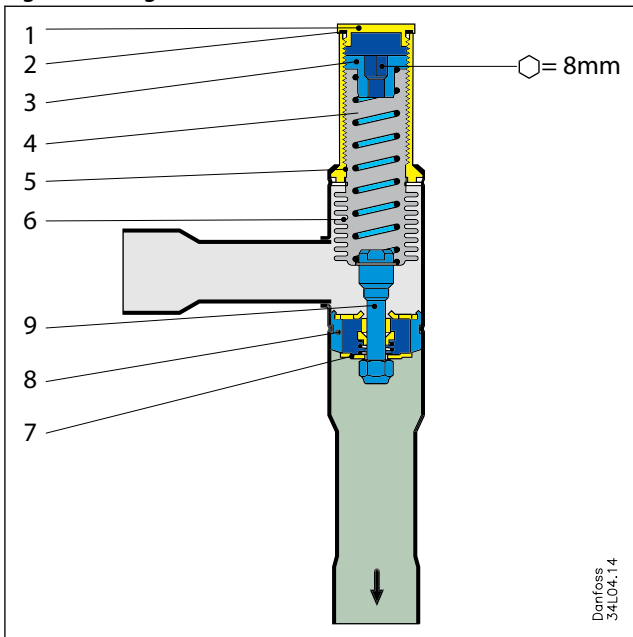
KVL protects the compressor motor against overload during start-up after long standstill periods or after defrost periods (high pressure in evaporator).

Features

- Accurate, adjustable pressure regulation
- Wide capacity and operating ranges
- Pulsation damping design
- Stainless steel bellows
- Compact angle design for easy installation in any position
- “Hermetic” brazed construction
- Available in a wide size range of flare and ODF solder types
- KVL 12 – KVL 22: may be used in the following EX range: Category 3 (Zone 2)

Functions

Figure 1: Design/Function for KVL



1	Protective cap
2	Gasket
3	Setting screw
4	Main spring
5	Valve body
6	Equalization bellows
7	Valve plate
8	Valve seat
9	Damping device

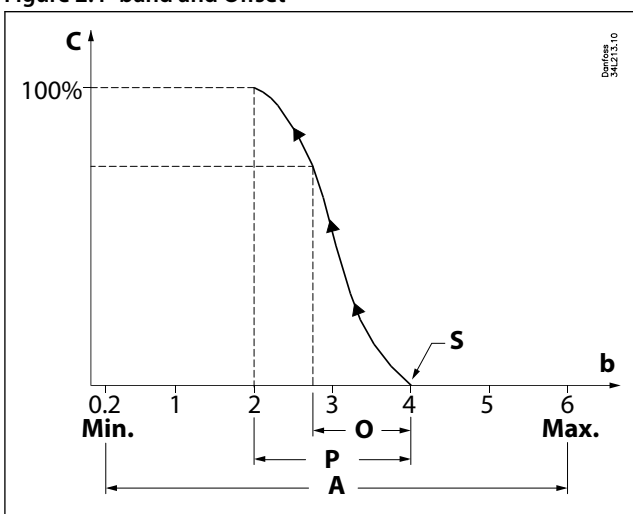
The Crankcase pressure regulator type KVL opens at pressure fall on the outlet side, i.e. when the suction pressure ahead of the compressor drops below the set value.

The KVL only regulates based on the outlet pressure. Pressure variations on the inlet side of the regulator do not affect the degree of opening since the KVL is equipped with an equalization bellows (6). This bellows has an effective area corresponding to that of the valve seat.

The regulator is also equipped with an effective damping device (9) against pulsations, which normally occur in a refrigeration plant.

The damping device helps to ensure long life of the regulator without impairing regulation accuracy.

Figure 2: P-band and Offset



C	Capacity
b	bar
S	Set point
O	offset
P	P- band
A	Adjustment range
Min.	Min. setting point
Max.	Max. setting point

Proportional band

The p-band is defined as the difference between the pressure at which the valve plate starts to open (set point) and the pressure at which the valve is completely open.

Example

If the valve is set to open at 4 bar and the valve p-band is 2 bar, the valve will give maximum capacity when the outlet pressure reaches 2 bar.

Offset

The offset is defined as the difference between the pressure at which the valve plate starts to open (set point) and the pressure at which the valve reaches the necessary opening for the actual load.

The offset is always a part of the p-band

Because optimal function of a refrigeration plant is best reached with fully open KVL, the term offset is normally not used in connection with the KVL valve.

Product specification

Technical data

Table 1: Technical data for KVL

Features	Description
Refrigerants	R22, R134a, R290 ⁽¹⁾ , R404A, R407A, R407C, R407F, R407H, R448A, R449A, R449B, R450A, R452A, R454A ⁽¹⁾ , R454C ⁽¹⁾ , R455A ⁽¹⁾ , R507, R513A, R515B, R516A, R600 ⁽¹⁾ , R600a ⁽¹⁾ , R1234ze(E) ⁽¹⁾ , R1234yf ⁽¹⁾ , R1270 ⁽¹⁾
Regulating range	0.2 – 6.0 bar Factory setting = 2 bar
Max. working pressure	PS/MWP PS = 18 bar
Max. test pressure	Pe = 19.8 bar
Medium temperature range	-60 – 130 °C
Maximum P-band	KVL 12 – 22 = 2 bar KVL 28 – 35 = 1.5 bar
K _v -value ⁽²⁾ with maximum P-band	KVL 12 – 22 = 3.2 m ³ / h KVL 28 – 35 = 8.0 m ³ / h

⁽¹⁾ KVL 12 – KVL 22 only.

⁽²⁾ The K_v value is the flow of water in [m³ / h] at a pressure drop across valve of 1 bar, ρ = 1000 kg / m³.

This product (KVL 12 – KVL 22) is evaluated for R290, R454A, R454C, R455A, R600, R600a, R1234ze(E), R1234yf, R2170 by ignition source assessment in accordance with standard EN ISO80079-36. Flare connections are only approved for A1 and A2L refrigerants.

For complete list of approved refrigerants, visit store.danfoss.com and search for individual code numbers, where refrigerants are listed as part of technical data.

Sizing

For optimum performance, it is important to select a KVL valve according to system conditions and applications.

The following data must be used when sizing a KVL valve:

- Refrigerant
- Evaporator capacity: Q_e in [kW]
- Liquid temperature ahead of expansion valve: t_l in [°C]
- Suction temperature ahead of compressor: t_s in [°C]
- Maximum suction pressure after the regulator: PS in [bar]
- Connection type: flare or solder
- Connection size in [in.] or [mm]

Valve selection

Example

When selecting the appropriate valve it may be necessary to convert the actual evaporator capacity using a correction factor. This is required when your system conditions are different than the table conditions. The selection is also dependant on the acceptable pressure drop across the valve.

The following example illustrates how this is done:

- Refrigerant: R404A
- Evaporator capacity: Q_e = 4.0 kW
- Liquid temperature ahead of expansion valve: 35 °C
- Suction temperature ahead of compressor: -25 °C
- Maximum suction pressure after the regulator: 3.8 bar ~ -7 °C
- Connection type: Solder
- Connection size: 5/8 in.

Step 1

Determine the correction factor for liquid temperature t_l ahead of expansion valve.

Crankcase pressure regulator, Type KVL

From the [Table 2: Correction factors for liquid temperature \$t_l\$](#) (see below) the correction factor for a liquid temperature at 35 °C (R404A) corresponds to a factor of 1.16.

Table 2: Correction factors for liquid temperature t_l

t_l [°C]	10	15	20	25	30	35	40	45	50
R134a	0.88	0.92	0.96	1.0	1.05	1.10	1.16	1.23	1.31
R22	0.9	0.93	0.96	1.0	1.05	1.10	1.13	1.18	1.24
R404A/R507	0.84	0.89	0.94	1.0	1.07	1.16	1.26	1.4	1.57
R407C	0.88	0.91	0.95	1.0	1.05	1.11	1.18	1.26	1.35

Step 2

Corrected evaporator capacity is: $Q_e = 4.0 \times 1.16 = 4.64$ kW

Step 3

Now select the capacity table for R404A and choose the column with a suction temperature of -25 °C.

Using the corrected replacement capacity, select a valve that provides an equivalent or greater capacity than required.

KVL 12 / KVL 15 / KVL 22 delivers a capacity of 4.6 kW at a pressure drop of 0.2 bar across the valve and 5.6 kW at a pressure drop of 0.3 bar across the valve. Based on the required connection size of 5/8 in. the KVL 15 valve is the proper selection for this example.

Step 4

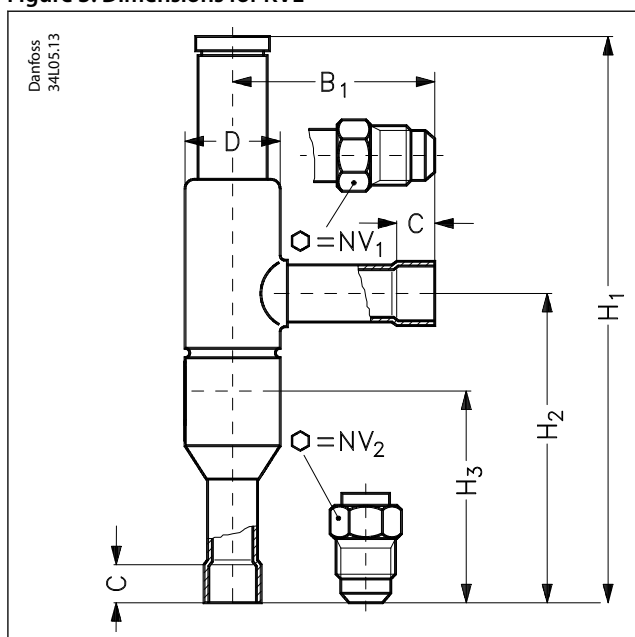
KVL 15, 5/8 in. solder connection: code no. 034L0049, see [Table 4: Ordering for type KVL](#).

Valve selection based on capacity calculation

As for extended capacity calculations and valve selection based on capacities and refrigerants, please refer to Coolselector®2. Rated and extended capacities are calculated with the Coolselector®2 calculation engine to ARI standards with the ASEREP equations based on laboratory measurements of selected valves.

Dimensions and Weight

Figure 3: Dimensions for KVL



Crankcase pressure regulator, Type KVL

Table 3: Dimensions and Weight for KVL

Type	Connection				H ₁	H ₂	B ₁	C	øD	Net weight
	Flare		Solder ODF							
	[in.]	[mm]	[in.]	[mm]	[mm]	[mm]	[mm]	[mm]	[mm]	[Kg]
KVL 12	½	12	½	12	179	99	64	10	30	0.4
KVL 15	5/8	16	5/8	16	179	99	64	12	30	0.4
KVL 22	-	-	7/8	22	179	99	64	17	30	0.4
KVL 28	-	-	1 1/8	28	259	151	105	20	43	1.0
KVL 35	-	-	1 3/8	35	259	151	105	25	43	1.0

Ordering

Figure 4: Flare connection Figure 5: Solder connection

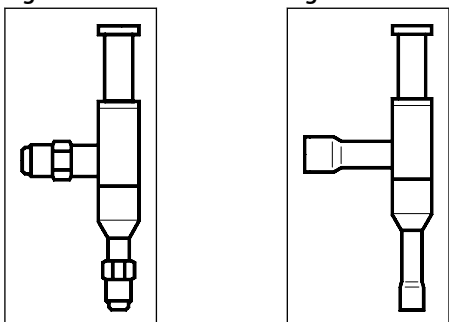


Table 4: Ordering for type KVL

Type	Rated capacity ⁽¹⁾ [kW]				Flare connection ⁽²⁾		Code no.	Solder connection		Code no.
	R22	R134a	R404A/R507	R407C	[in]	[mm]		[in]	[mm]	
KVL 12	7.1	5.3	6.3	6.4	1/2	12	034L0041	1/2	–	034L0043
	7.1	5.3	6.3	6.4	–	–	–	–	12	034L0048
KVL 15	7.1	5.3	6.3	6.4	5/8	16	034L0042	5/8	16	034L0049
KVL 22	7.1	5.3	6.3	6.4	–	–	–	7/8	22	034L0045
KVL 28	17.8	13.2	15.9	16.4	–	–	–	1 1/8	–	034L0046
	17.8	13.2	15.9	16.4	–	–	–	–	28	034L0051
KVL 35	17.8	13.2	15.9	16.4	–	–	–	1 3/8	35	034L0052

- ⁽¹⁾ Rated capacity is the regulator capacity at
- suction temperature $t_s = -10\text{ °C}$
 - condensing temperature $t_c = 25\text{ °C}$
 - pressure drop in regulator $\Delta p = 0.2\text{ bar offset} = 0.6\text{ bar}$

To select the product for other conditions or refrigerants, use Danfoss Coolselector*2

- ⁽²⁾ KVL supplied without flare nuts. Separate flare nuts can be supplied:
- 1/2 in / 12 mm, code no. 011L1103
 - 5/8 in / 16 mm, code no. 011L1167

The connection dimensions chosen must not be too small, as gas velocities in excess of 40 m / s at the inlet of the regulator can result in flow noise.

Certificates, declarations, and approvals

The list contains all certificates, declarations, and approvals for this product type. Individual code number may have some or all of these approvals, and certain local approvals may not appear on the list.

Some approvals may change over time. You can check the most current status at danfoss.com or contact your local Danfoss representative if you have any questions.

Table 5: Certificates, declarations, and approvals

Document name	Document type	Document topic	Approval authority
UL SA7200	Mechanical - Safety Certificate		UL
034R9541.AA	Manufacturers Declaration	China RoHS	Danfoss
034L9630.AA	Manufacturers Declaration	ATEX	Danfoss

Online support

Danfoss offers a wide range of support along with our products, including digital product information, software, mobile apps, and expert guidance. See the possibilities below.

The Danfoss Product Store



The Danfoss Product Store is your one-stop shop for everything product related—no matter where you are in the world or what area of the cooling industry you work in. Get quick access to essential information like product specs, code numbers, technical documentation, certifications, accessories, and more.

Start browsing at store.danfoss.com.

Find technical documentation



Find the technical documentation you need to get your project up and running. Get direct access to our official collection of data sheets, certificates and declarations, manuals and guides, 3D models and drawings, case stories, brochures, and much more.

Start searching now at www.danfoss.com/en/service-and-support/documentation.

Danfoss Learning



Danfoss Learning is a free online learning platform. It features courses and materials specifically designed to help engineers, installers, service technicians, and wholesalers better understand the products, applications, industry topics, and trends that will help you do your job better.

Create your Danfoss Learning account for free at www.danfoss.com/en/service-and-support/learning.

Get local information and support



Local Danfoss websites are the main sources for help and information about our company and products. Find product availability, get the latest regional news, or connect with a nearby expert—all in your own language.

Find your local Danfoss website here: www.danfoss.com/en/choose-region.

Coolselector®2 - find the best components for you HVAC/R system



Coolselector®2 makes it easy for engineers, consultants, and designers to find and order the best components for refrigeration and air conditioning systems. Run calculations based on your operating conditions and then choose the best setup for your system design.

Download Coolselector®2 for free at coolselector.danfoss.com.