

## Data Sheet

# Angle-seat externally operated valve Type **AV210A - AV210H**

For use in industrial applications



AV210 is an externally operated valve for use in demanding industrial applications.


The valve can operate at very high medium temperatures and viscosities, and is insensitive to dirt particles in the medium; thus, it is often called a “troubleshooter” valve. The valve is available in bronze and stainless steel.

**Features**

- For all fluids and gases
- Flow range: 0 – 234 m<sup>3</sup>/h / 0 – 275 USgal/min
- Unpressurized closed (NC) bidirectional versions and unpressurized opened (NO) version closing against the flow direction
- The valves can be used for rough vacuum
- Control connection G 1/8
- Valves comply with Pressure Equipment Directive 97/23/EC
- NC version: bi-directional, closing against or closing with the flow direction
- NO version: always closing against the flow direction

## 1 Portfolio overview

Table 1: Portfolio overview

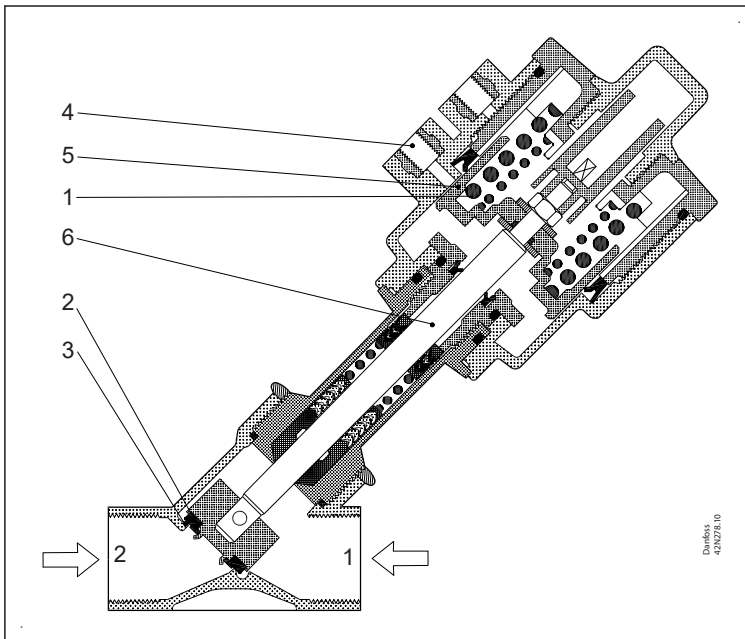
Features	AV210	
		
<b>Body material</b>	Brass	Stainless steel
<b>DN [mm]</b>	15-50	15-50
<b>Connection ISO</b>	G 3/8- G 2	G 1/2-G2
<b>Connection NPT (Only NC)</b>	1/2-2	1/2-2
<b>Sealing material</b>	PTFE	PTFE
<b>Function</b>	NC, NO	NC, NO
<b>Kv [m³/h]</b>	4.5-67	4.9-67
<b>Control head diameter [mm]</b>	40, 50, 63, 90, 110	50, 63, 90, 110
<b>Differential pressure range [bar]</b>	0-16	0-16
<b>Control pressure NC [bar]</b>	4-10	4-10
<b>Control pressure NO [bar]</b>	1.8-10	1.8-10
<b>Function NC</b>	Closing against and with the flow	Closing against and with the flow
<b>Function NO</b>	Only closing against the flow	Only closing against the flow
<b>Temperature range [°C]</b>	-30-180	-30-180

## 2 Functions

### 2.1 NC ISO / NPT Connection

AV210 unpressurized closed version (NC) bidirectional.

The valve is kept closed by the spring (1), which presses the seat gasket (2) against the valve seat (3). When the pressure is applied to the control connection (4), the control piston (5), the spindle (6) and thus the seat gasket (2) are raised, and the valve opens with or against the pressure of the medium.

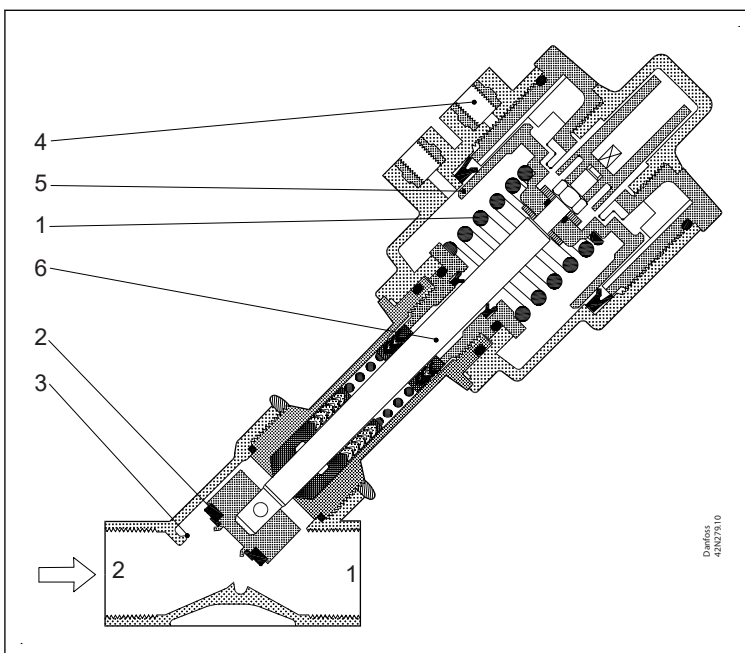


1	Spring
2	Seat gasket
3	Valve seat
4	Control connection
5	Control piston
6	Spindle

### 2.2 NO ISO Connection

AV210 unpressurized open version (NO):

The valve is kept open by the spring (1), which keeps the seat gasket (2) away from the valve seat (3). When pressure is applied to the control connection (4), the control piston (5), the spindle (6) and thus the seat gasket (2) are lowered, and the valve closes against the pressure of the medium.



1	Spring
2	Seat gasket
3	Valve seat
4	Control connection
5	Control piston
6	Spindle

### 3 Product specification

#### 3.1 Technical data

Table 2: Technical data

<b>Media</b>	Bronze	For water, oil and compressed air
	Stainless	For neutral, aggressive liquid and gaseous media
<b>Media temperature [°C] / [°F]</b>	PTFE	-30-180 °C / -22-356 °F
<b>Ambient temperature [°C] / [°F]</b>	-30-60 °C / -22-140 °F	
<b>Pressure</b>	Pressure range can be extended for use in rough vacuum, typically up to 99% vacuum (10 mbar), depending on the application	
<b>Kv value [m³/h]</b>	DN15	4.5-5.7 m³/h
	DN20	10 m³/h
	DN25	20 m³/h
	DN32	29 m³/h
	DN40	46 m³/h
	DN50	67 m³/h
<b>Min. Opening differential pressure [bar]</b>	0 bar	
<b>Max. Opening differential pressure [bar]</b>	Up to 30 bar	
<b>Max. working pressure [bar]</b>	Up to 30 bar	
<b>Max. test pressure [bar]</b>	DN1.5-4.5	52.5 bar
	DN6-10	37.5 bar
	DN15-25	24 bar
<b>Control medium</b>	Air	
<b>Tightness</b>	Internally / Externally:	Better than 0.4 mbar l/sec (25 ccm air per min.)
<b>Viscosity [cSt]</b>	Max. 600 cSt / 3000 SSU	

#### Differential pressure range for NC/NO

Table 3: Differential pressure NC, closing against the flow

Connection ISO228/1	Connection NPT	Orifice [mm]	Control head diameter [mm]	Max working pressure		Differential pressure, min. to max.		Control pressure <sup>(1)</sup> (Values for closing against the flow)	
				[bar]	[psi]	[bar]	[psi]	[bar]	[psi]
G 3/8		15	40	16	232	0-16	0-232	4.2-10	61-145
			50	16	232	0-16	0-232	4-10	58-145
G 1/2	1/2	15	40	16	232	0-16	0-232	4.2-10	61-145
			50	16	232	0-16	0-232	4-10	58-145
G 3/4	3/4	20	50	10	140	0-10	0-140	4-10	58-145
			63	16	232	0-16	0-232	4-10	58-145
G 1	1	25	63	11	160	0-11	0-160	4-10	58-145
			90	16	232	0-16	0-232	4-8	58-116
G 1 1/4	1 1/4	32	90	14	203	0-14	0-203	4-8	58-116
G 1 1/2	1 1/2	40	90	11	160	0-11	0-160	4-8	58-116
			110	16	232	0-16	0-232	4-8	58-116
G 2	2	50	110	10	140	0-10	0-140	4-8	58-116

<sup>(1)</sup> For NC, closing with the flow: See figure 2 - 5 / [Diagrams, NC for closing with the flow direction \(Port 1 to 2\)](#)

Table 4: Differential pressure NO, closing against the flow

Connection ISO228/1	Orifice [mm]	Control head diameter [mm]	Max working pressure [bar]	Differential pressure, min. to max. [bar]	Control pressure		
					Min. [bar]	Max. [bar]	
G½	15	50	See figure 7 - 10 / <a href="#">Diagrams, NO for closing against the flow direction (Port 2 to 1)</a>				10
G¾	20	50					10
G1	25	63					10
G1½	40	90					8

Angle-seat externally operated valve, type AV210A - AV210H

Diagrams, NC for closing with the flow direction (Port 1 to 2)

Recommended only for compressible media for extended pressure range

Figure 1: Valve connection

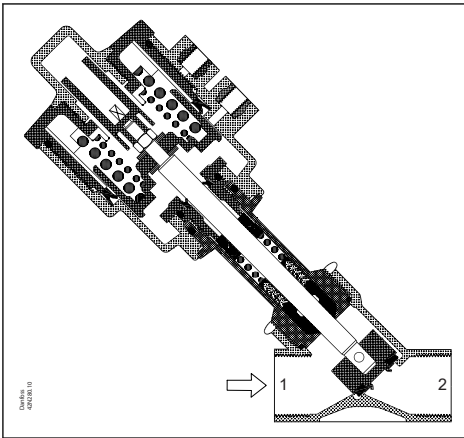


Figure 2: Control head  $\varnothing 40 - \varnothing 50$  mm / 2 in

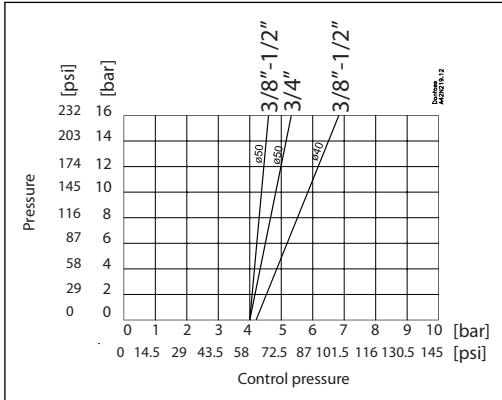


Figure 3: Control head  $\varnothing 63$  mm / 2 1/2 in

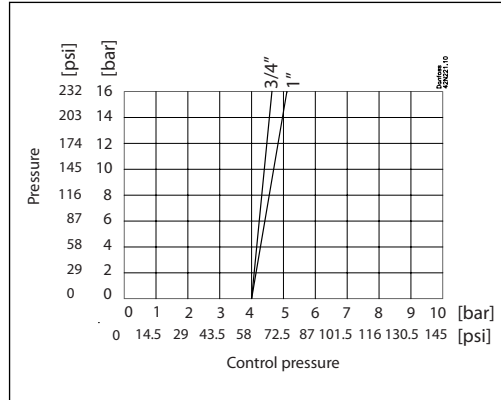


Figure 4: Control head  $\varnothing 90$  mm / 3 1/2 in

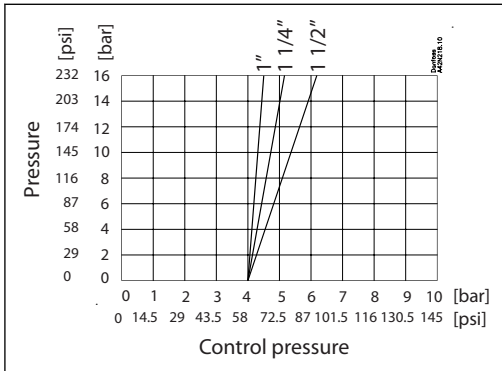
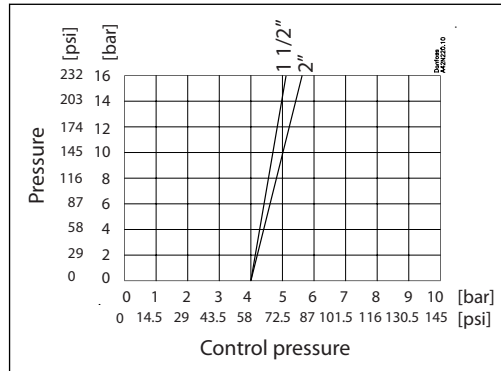


Figure 5: Control head  $\varnothing 110$  mm / 4 1/2 in



Diagrams, NO for closing against the flow direction (Port 2 to 1)

Figure 6: Valve connection

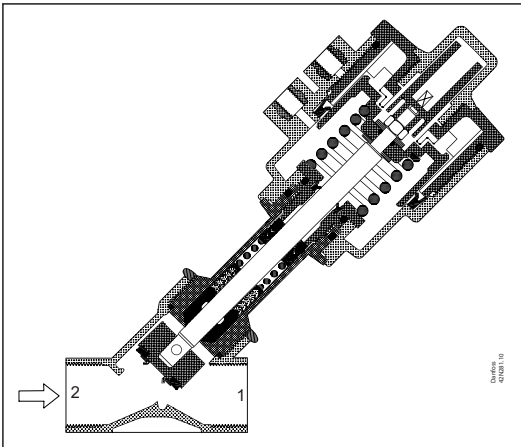


Figure 7: Control head ø50 mm

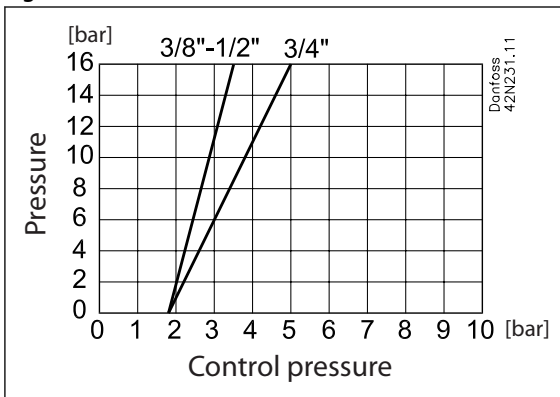


Figure 8: Control head ø63 mm

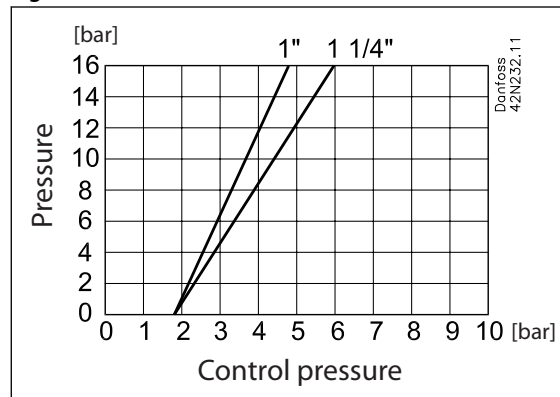


Figure 9: Control head ø90 mm

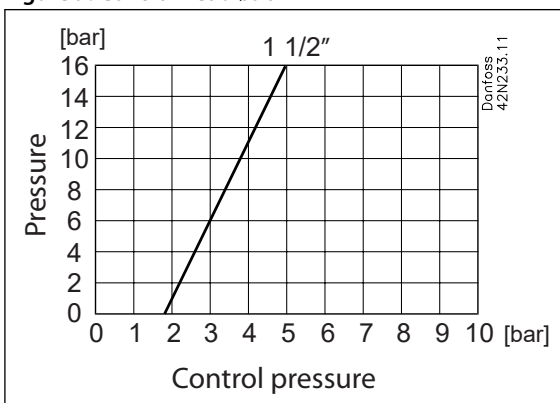
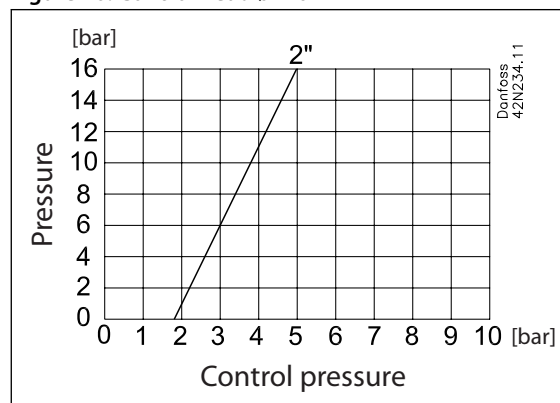
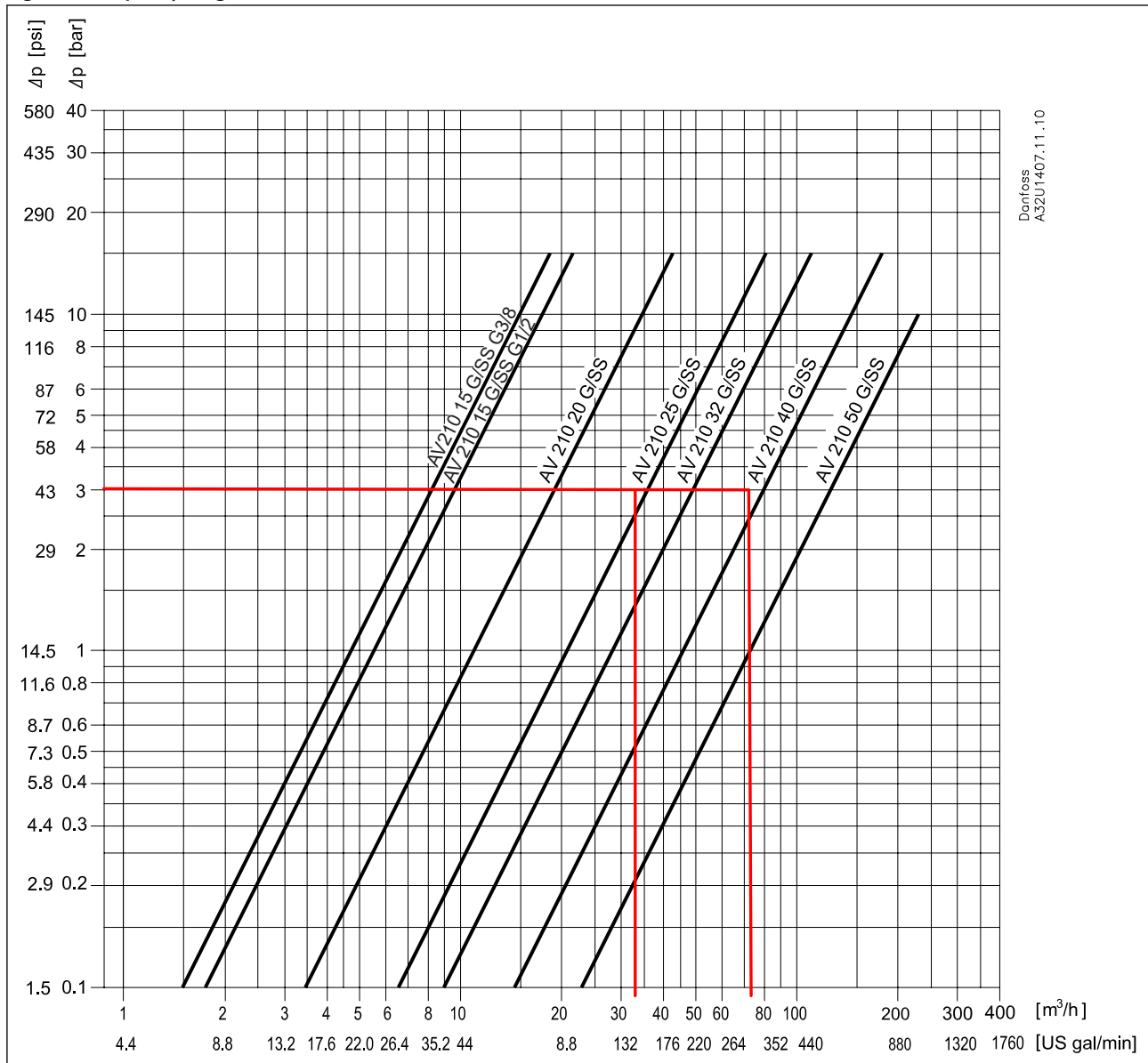


Figure 10: Control head ø110 mm



## Capacity diagram

Figure 11: Capacity diagram, Water



## Time to open/close

Table 5: Time to open/close

Main type	ø50 – 63 mm / 2 – 2 ½ in control head Closing with the flow direction	ø50 – 63 mm / 2 – 2 ½ in control head Closing against the flow direction	ø90 – 110 mm / 3 ½ – 4 ½ in control head Closing with the flow direction	ø90 – 110 mm / 3 ½ – 4 ½ in control head Closing against the flow direction
Time to open [ms] <sup>(1)</sup>	40 – 180	50 – 350	80 – 780	100 – 460
Time to close [ms] <sup>(1)</sup>	160 – 500	120 – 350	580 – 1270	360 – 790

<sup>(1)</sup> The times are indicative.

## Materials

Table 6: Materials

Components	Materials	Specifications
Valve body	Bronze	RG 5
	Stainless steel	AISI 316
Intermediate piece	Bronze	Brass W.no.2.0402
	Stainless steel	Stainless steel AISI 316
Seat control and nut:	Stainless steel	AISI 316
Spindle	Stainless steel	AISI 316
Spindle gasket	PTFE	
Gasket	Graphite	
Valve plate unit	PTFE	
Control head	PA66	

## 3.2 Dimension and weight

### Dimension and weight, bronze valve body

Table 7: ISO Connection

Connec- tion ISO 228/1	Orifice size	Control head di- ameter	A	B	C	D	D <sup>1</sup>	øE	F	H	ch.L	Weight
[in]	[mm]	[mm]	[mm]	[mm]	[mm]	[mm]	[mm]	[mm]	[mm]	[mm]	[mm]	[kg]
G 3/8	15	40	144	121	134	35	-	61	65	12	27	1.1
G 3/8	15	50	163	140	153	44	50.5	70	65	12	27	1.1
G 1/2	15	40	144	121	134	35	-	61	65	13	27	1.0
G 1/2	15	50	163	140	153	44	50.5	70	65	13	27	1.0
G 3/4	20	50	173	147	163	44	50.5	70	75	14.3	27.5	1.2
G 3/4	20	63	191	165	181	50.5	57	84.4	75	14.3	27.5	1.2
G 1	25	63	206	176	196	50.5	57	84.4	90	17.5	41	1.6
G 1	25	90	246	216	236	66.2	72.7	116.4	90	17.5	41	1.7
G 1 1/4	32	90	255	220	245	66.2	72.7	116.4	110	19	50	3.0
G 1 1/2	40	90	270	235	264	66.2	72.7	116.4	120	18	58	3.4
G 1 1/2	40	110	306	271	300	77.4	83.9	140.6	120	18	58	4.0
G 2	50	110	316	276	311	77.4	83.9	140.6	150	20	70	5.3

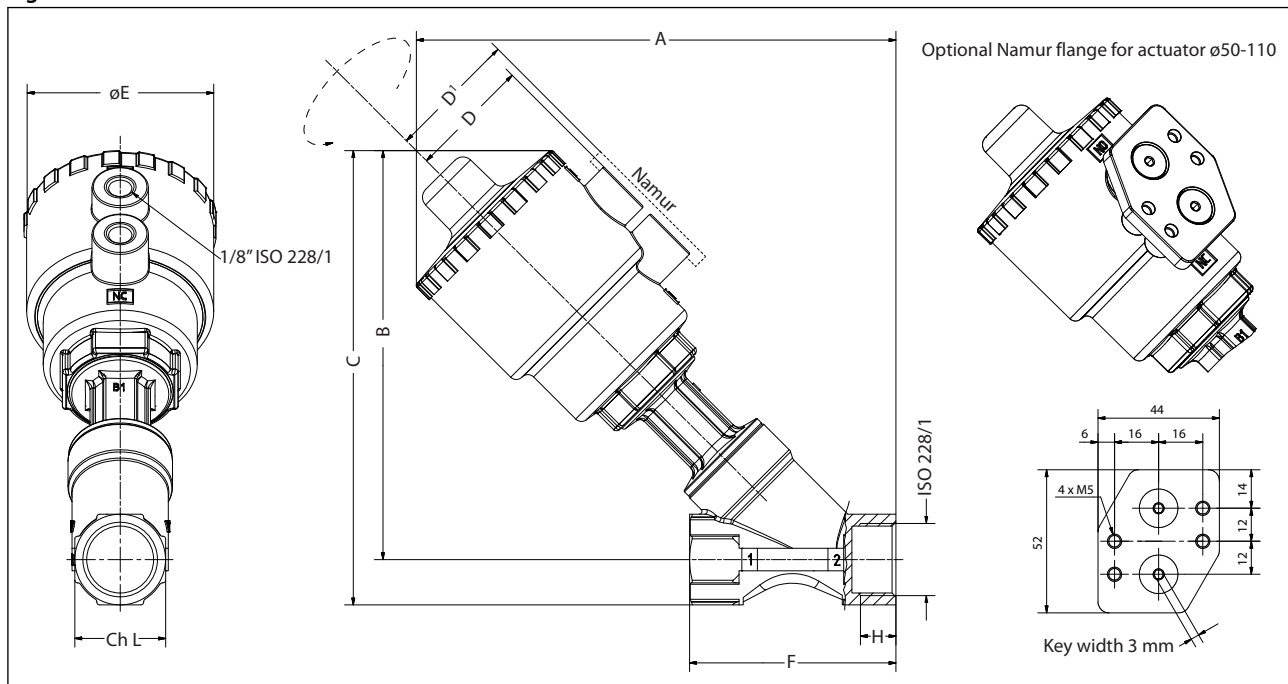
Table 8: NPT Connection

Conn NPT	Orifice size		Control head di- ameter			A		B		C		D		D <sup>1</sup>		øE		F		H		ch.L		Weight	
	[in]	[mm]	[in]	[mm]	[in]	[mm]	[in]	[mm]	[in]	[mm]	[in]	[mm]	[in]	[mm]	[in]	[mm]	[in]	[mm]	[in]	[mm]	[in]	[mm]	[in]	[kg]	[lbs]
1/2	15	1/2	50	2	163	6.4	140	5.5	153	6.0	44	1.7	50.5	1.99	70	2.8	65	2.6	13	0.5	27	1.1	1.0	2.2	
3/4	15	3/4	50	2	173	6.8	147	5.8	163	6.4	44	1.7	50.5	1.99	70	2.8	75	3.0	14.3	0.6	27.5	1.1	1.2	2.6	
1	25	1	63	2 1/2	206	8.1	176	6.9	196	7.7	50.5	2.0	57	2.24	84.4	3.3	90	3.5	17.5	0.7	41	1.6	1.6	3.5	
1 1/4	32	1 1/4	90	3 1/2	255	10.0	220	8.7	245	9.6	66.2	2.6	72.7	2.86	116.4	4.6	110	4.3	19	0.7	50	2.0	3.0	6.6	
1 1/2	40	1 1/2	90	3 1/2	270	10.6	235	9.3	264	10.4	66.2	2.6	72.7	2.86	116.4	4.6	120	4.7	18	0.7	58	2.3	3.4	7.5	
2	50	2	110	4 1/8	316	12.4	276	10.9	311	12.2	77.4	3.0	83.9	3.30	140.6	5.5	150	5.9	20	0.8	70	2.8	5.3	11.7	



## Angle-seat externally operated valve, type AV210A - AV210H

Figure 12: Dimension



### Dimension and weight, stainless steel valve body

Table 9: ISO Connection

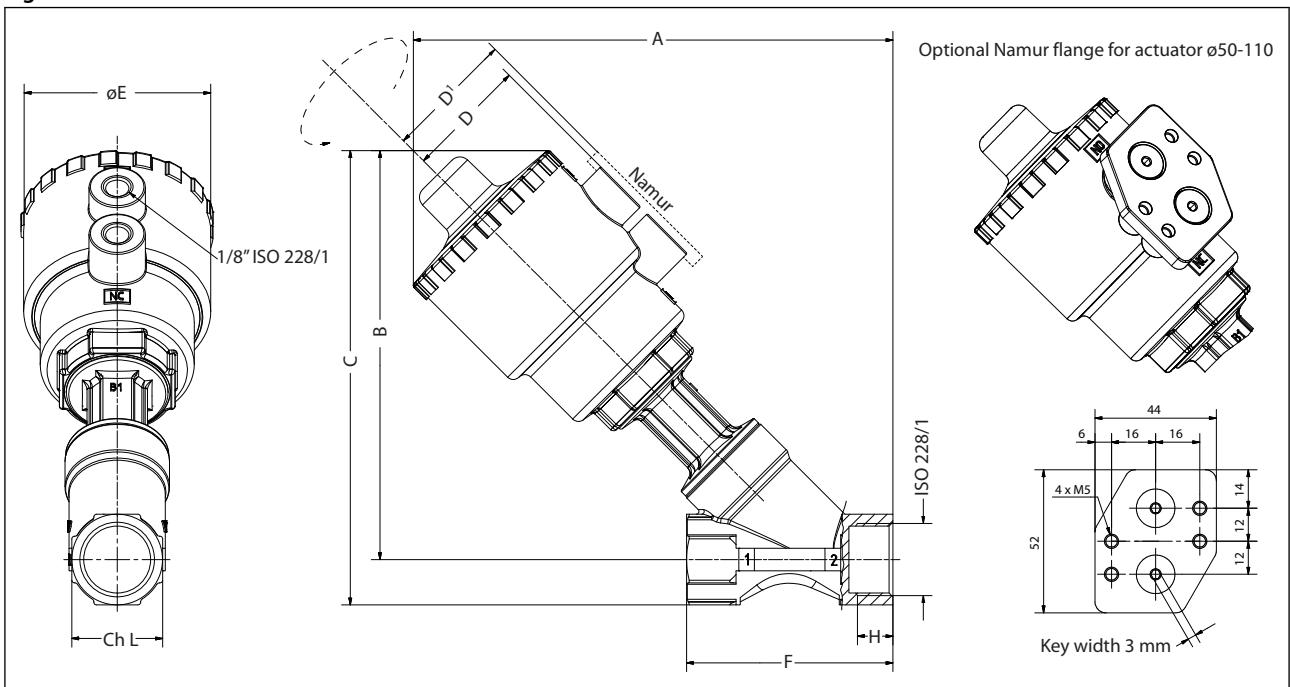
Conne- ction ISO 228/1	Orifice size	Control head di- ameter	A		B		C		D		D <sup>1</sup>		øE		F		H		ch.L		Weight
[in]	[mm]	[mm]	[mm]	[mm]	[mm]	[mm]	[mm]	[mm]	[mm]	[mm]	[mm]	[mm]	[mm]	[mm]	[mm]	[mm]	[mm]	[mm]	[mm]	[mm]	[kg]
G 3/8	15	40	190	156	169	44	-	70	85	12	25	1.1									
G 1/2	15	50	190	156	169	44	50.5	70	85	15	25	1.0									
G 3/4	20	50	195	160	176	44	50.5	70	95	16.3	31	1.2									
G 3/4	20	63	213	178	194.4	50.5	70	84.4	95	16.3	31	1.2									
G 1	25	63	219	182	202	50.5	70	84.4	105	19.5	38	1.6									
G 1	25	90	259	222	242	66.2	72.7	116.4	105	19.5	38	1.7									
G 1 1/4	32	90	266	226	249	66.2	72.7	116.4	120	19	47	3.0									
G 1 1/2	40	90	271	230	258	66.2	72.7	116.4	130	18	54	3.4									
G 1 1/2	40	110	307	266	294	77.4	83.9	140.6	130	18	54	4.0									
G 2	50	110	321	276	310	77.4	83.9	140.6	150	20	66	5.3									

Table 10: NPT Connection

Conn NPT	Orifice size		Control head di- ameter		A		B		C		D		D <sup>1</sup>		øE		F		H		ch.L		Weight	
[in]	[mm]	[in]	[mm]	[in]	[mm]	[in]	[mm]	[in]	[mm]	[in]	[mm]	[in]	[mm]	[in]	[mm]	[in]	[mm]	[in]	[mm]	[in]	[mm]	[in]	[kg]	[lbs]
1/2	15	1/2	50	2	190	7.5	156	6.1	169	6.7	44	1.7	50.5	1.99	70	2.8	85	3.3	15	0.6	25	1.0	1.0	2.2
3/4	15	3/4	50	2	195	7.7	160	6.3	176	6.9	44	1.7	50.5	1.99	70	2.8	95	3.7	16.3	0.6	31	1.2	1.2	2.6
3/4	15	3/4	63	2 1/2	213	8.4	178	7.0	194.4	7.7	50.5	2.0	57	2.24	84.4	3.3	95	3.7	16.3	0.6	31	1.2	1.2	2.6
1	25	1	63	2 1/2	219	8.6	182	7.2	202	8.0	50.5	2.0	57	2.24	84.4	3.3	105	4.1	19.5	0.8	38	1.5	1.6	3.5
1 1/4	32	1 1/4	90	3 1/2	266	10.5	226	8.9	249	9.8	66.2	2.6	72.7	2.86	116.4	4.6	120	4.7	19	0.7	47	1.9	3.0	6.6
1 1/2	40	1 1/2	90	3 1/2	271	10.7	230	9.1	258	10.2	66.2	2.6	72.7	2.86	116.4	4.6	130	5.1	18	0.7	54	2.1	3.4	7.5
2	50	2	110	4 1/2	321	12.6	276	10.9	310	12.2	77.4	3.0	83.9	3.30	140.6	5.5	150	5.9	20	0.8	66	2.6	5.3	11.7

Angle-seat externally operated valve, type AV210A - AV210H

Figure 13: Dimension



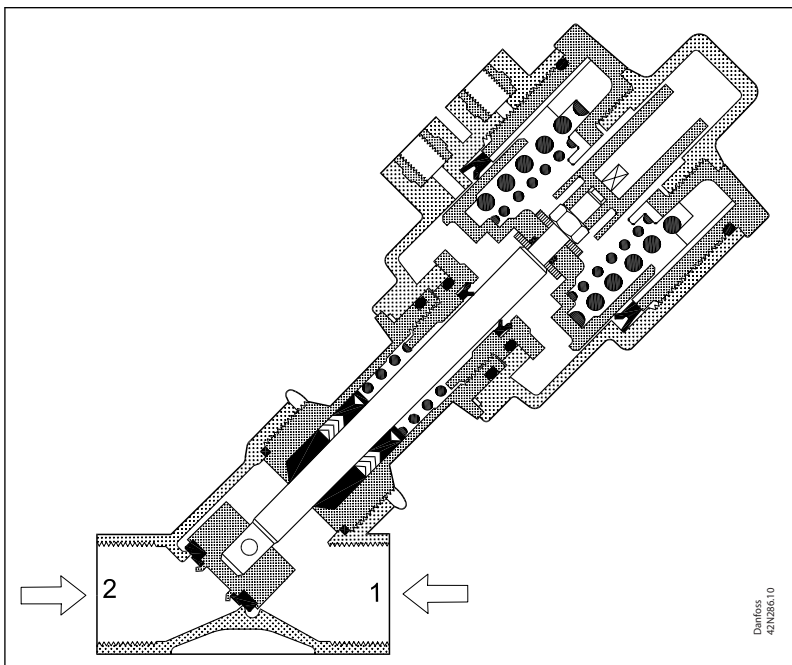
**3.3 Mounting**

NC

**Mounting: Bi-directional**

Closing against the flow (Port 2 to 1), recommended to avoid water hammer.

Closing with the flow direction (Port 1 to 2), recommended only for compressible fluids for extended pressure range.

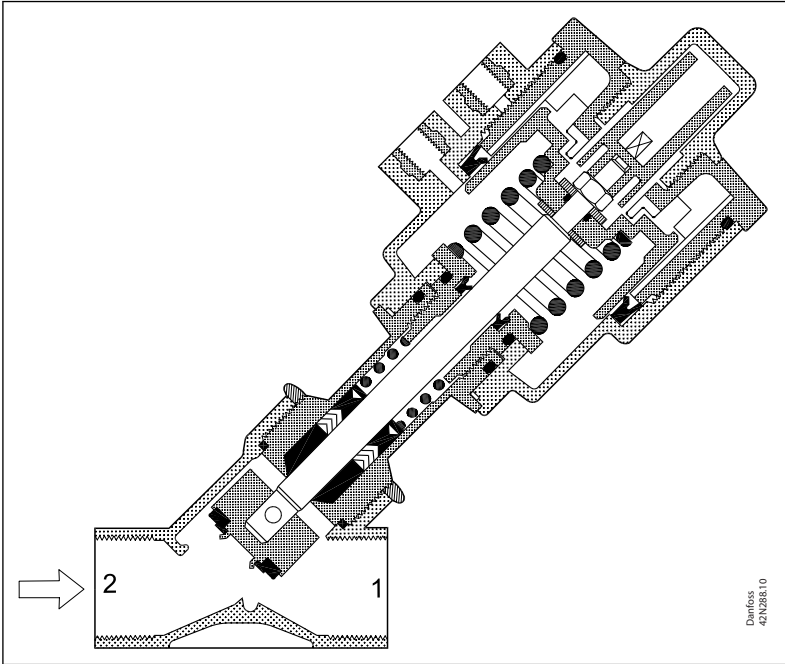


NO

**Mounting**

Closing against the flow (Port 2 to 1), recommended to avoid water hammer.

Angle-seat externally operated valve, type AV210A - AV210H



## 4 Ordering

### 4.1 Parts program

Table 11: Bronze/SS, AV210 with ISO thread connection NC/NO

Connection ISO228/1	Orifice [mm]	Kv value [m³/h]	Control head diameter [mm]	Sealing	Function			
					Bronze		SS	
					NC	NO	NC	NO
G 3/8	15	4.5	40	PTFE	042N4400			
		4.9	50		042N4401		042N4450	
G 1/2	15	5.3	40		042N4402			
		5.7	50		042N4403	042N4431	042N4451	042N4481
G 3/4	20	10	50		042N4404	042N4432	042N4452	042N4482
			63		042N4405		042N4453	
G 1	25	20	63		042N4406	042N4433	042N4454	042N4483
			90		042N4407		042N4455	
G 1 1/4	32	29	90		042N4408		042N4456	
			110		042N4409	042N4435	042N4457	042N4485
G 1 1/2	40	46	90		042N4410		042N4458	
			110		042N4411	042N4436	042N4459	042N4486
G 2	50	67	110					

Table 12: Bronze/SS, AV210 with NPT thread connection NC/NO

Connection NPT	Orifice [mm]	Flow value		Control head diameter [mm]	Sealing	Function	
		Kv [m³/h]	Cv [USgal/ min]			Bronze	SS
						NC	NC
1/2	15	5.7	6.5	50	PTFE	042N4503	042N4551
3/4	20	10	11.5	50		042N4504	042N4552
1	25	20	23	63		042N4506	042N4554
1 1/4	32	29	33	90		042N4508	
1 1/2	40	46	53	90		042N4509	042N4557
2	50	67	77	110		042N4511	042N4559

### 4.2 Accessories

#### Position indicator

Figure 14: Position indicator



#### Features

The control box to check the open/closed positions with two mechanical limit switches is suitable for assembling on the whole range of valves.

Level of protection : IP65

Ambient temperature: from -20 – 70 °C (-4 – 158 °F)

## Angle-seat externally operated valve, type AV210A - AV210H

Access lead nr.2 PG11

Body material: Polyamide (cap in Lexan/polycarbonate)

Figure 15: Valve

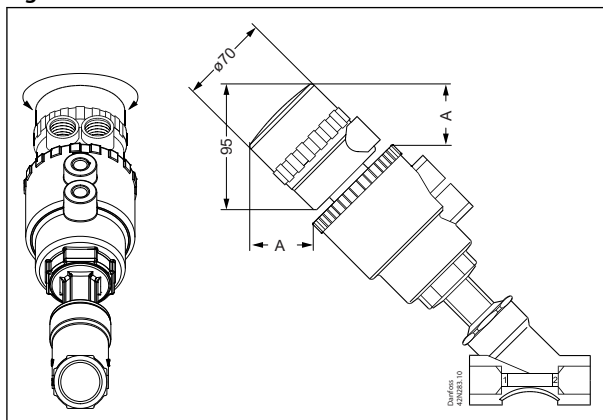
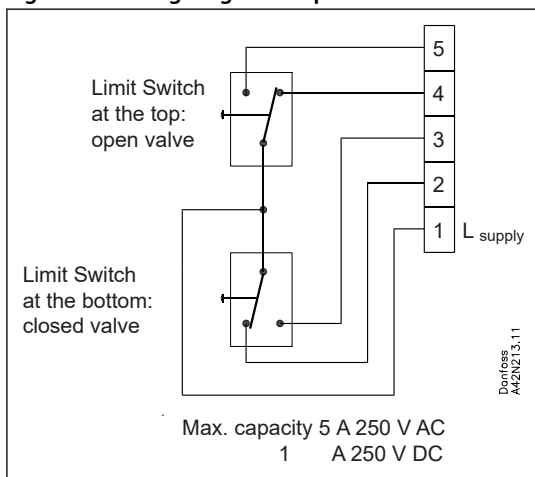


Table 13: Position indicator ordering

Actuator size		A		Code number
[mm]	[in]	[mm]	[in]	
ø50	2	52.1	2.1	042N4820
ø63	2½	47.5	1.9	042N4821
ø90	3½	37.7	1.5	042N4822
ø110	4½	29.5	1.2	042N4823

\* Limit Switch Box incl. 2 switches

Figure 16: Wiring diagram for position indicator



## Namur flange

### Namur flange for actuator ø50-110:

- for assembly of 3/2 solenoid valves
- according to EN 15714-3

Figure 17: Namur flange



## Angle-seat externally operated valve, type AV210A - AV210H

Table 14: Namur flange ordering

Actuator size	Code number
ø50-110	042N4811

### Repair kit

#### The repair kit contains :

1. Two gaskets (1) (On actuator size 40 (diameter control head) only one gasket included).
2. One complete valve plate unit (plug and pin) (2).

#### NOTE:

One gasket is for bronze, and one is for stainless steel.

Figure 18: Kit



Figure 19: Valve

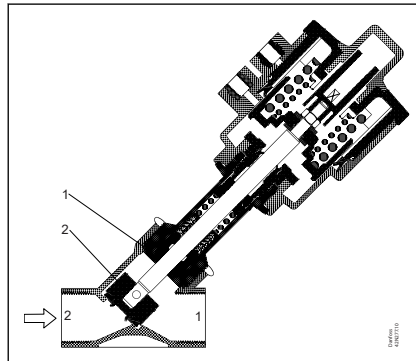


Table 15: Repair kit ordering, bronze/stainless steel

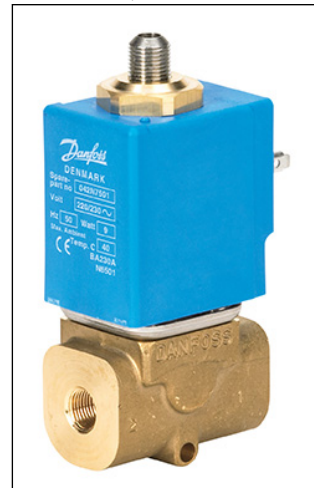
Connection		Control head diameter	Material		Code number
ISO 228/1 [in]	NPT [in]	[mm]	Valve plate unit	Gasket	
G 3/8		40	PTFE	Graphite	042N4800
G 3/8		50	PTFE	Graphite	042N4801
G 1/2		40	PTFE	Graphite	042N4802
G 1/2	1/2	50	PTFE	Graphite	042N4803
G 3/4	3/4	50 - 63	PTFE	Graphite	042N4804
G 1	1	63	PTFE	Graphite	042N4805
G 1		90	PTFE	Graphite	042N4806
G 1 1/4	1 1/4	90	PTFE	Graphite	042N4807
G 1 1/2	1 1/2	90 - 110	PTFE	Graphite	042N4808
G 2	2	110	PTFE	Graphite	042N4809

### Control valves, types EV310A and EV310B

Figure 20: Type EV310A



Figure 21: Type EV310B



## Angle-seat externally operated valve, type AV210A - AV210H

---

- Valves for industrial applications
- Available in de-energized closed and de-energized open versions
- Available with or without manual operation

See separate data sheets regarding code numbers, technical data and coil options for Danfoss EV310A and EV310B valves.

## 5 Online support

Danfoss offers a wide range of support along with our products, including digital product information, software, mobile apps, and expert guidance. See the possibilities below.

### The Danfoss Product Store



The Danfoss Product Store is your one-stop shop for everything product related—no matter where you are in the world or what area of the cooling industry you work in. Get quick access to essential information like product specs, code numbers, technical documentation, certifications, accessories, and more.

Start browsing at [store.danfoss.com](https://store.danfoss.com).

### Find technical documentation



Find the technical documentation you need to get your project up and running. Get direct access to our official collection of data sheets, certificates and declarations, manuals and guides, 3D models and drawings, case stories, brochures, and much more.

Start searching now at [www.danfoss.com/en/service-and-support/documentation](https://www.danfoss.com/en/service-and-support/documentation).

### Danfoss Learning



Danfoss Learning is a free online learning platform. It features courses and materials specifically designed to help engineers, installers, service technicians, and wholesalers better understand the products, applications, industry topics, and trends that will help you do your job better.

Create your Danfoss Learning account for free at [www.danfoss.com/en/service-and-support/learning](https://www.danfoss.com/en/service-and-support/learning).

### Get local information and support



Local Danfoss websites are the main sources for help and information about our company and products. Find product availability, get the latest regional news, or connect with a nearby expert—all in your own language.

Find your local Danfoss website here: [www.danfoss.com/en/choose-region](https://www.danfoss.com/en/choose-region).

### Spare Parts



Get access to the Danfoss spare parts and service kit catalog right from your smartphone. The app contains a wide range of components for air conditioning and refrigeration applications, such as valves, strainers, pressure switches, and sensors.

Download the Spare Parts app for free at [www.danfoss.com/en/service-and-support/downloads](https://www.danfoss.com/en/service-and-support/downloads).

Any information, including, but not limited to information on selection of product, its application or use, product design, weight, dimensions, capacity or any other technical data in product manuals, catalogues descriptions, advertisements, etc. and whether made available in writing, orally, electronically, online or via download, shall be considered informative, and is only binding if and to the extent, explicit reference is made in a quotation or order confirmation. Danfoss cannot accept any responsibility for possible errors in catalogues, brochures, videos and other material. Danfoss reserves the right to alter its products without notice. This also applies to products ordered but not delivered provided that such alterations can be made without changes to form, fit or function of the product. All trademarks in this material are property of Danfoss A/S or Danfoss group companies. Danfoss and the Danfoss logo are trademarks of Danfoss A/S. All rights reserved.