

Instructions / Vejledning / Anleitung / Instructions / Instrucciones / Istruzioni / Instruções / Instructies /
Ohjeet / Οδηγίες / Instruksjoner / Инструкции / Instrucțiuni / Pokyny / Instrukcje / Инструкция

Optyma™ Slim Pack

OP-LSQM / LSHM / MSXM / MSHM
MSGM / MSYM / MSBM

English / English	p. 2
Dansk / Danish	p. 7
Deutsch / German	p. 12
Français / French	p. 17
Español / Spanish	p. 22
Italiano / Italian	p. 27
Português / Portuguese	p. 32
Nederlands / Dutch	p. 37
Suomi / Finnish	p. 42
Ελληνικά / Greek	p. 47
Norsk / Norwegian	p. 52
български (Bălgarski) / Bulgarian	p. 57
Română / Romanian	p. 62
Čeština / Czech	p. 67
Polski / Polish	p. 72
Русский / Russian	p. 77

GA Drawings / GA-tegninger / GA-Zeichnungen / Schémas GA / Diagramas GA / Disegni d'assieme / Desenhos GA / GA-tekeningen / GA-piirustukset / Σχεδιαγράμματα / GA-tegninger / GA Чертежи / Diagrame AG / Vykresy / Rysunki GA / Компоновочные чертежи	p. 82
Wiring Diagram / El-diagram / Schaltplan / Schéma électrique / Diagrama eléctrico / Schema elettrico / Diagrama de ligações / El-diagram / Kytkentäkaavio / Διάγραμμα καλωδίωσης / Koblingsskjema / Диаграма на окабеляване / Diagramă de conexiuni / Schéma zapojení / Schemat elektryczny / Электрическая схема	p.84



Instructions

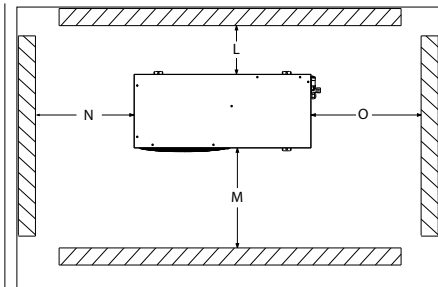
Optyma™ Slim Pack

OP-LSQM / LSHM / MSXM / MSHM /
MSGM / MSYM / MSBM

Name plate

A	OP-MSXM068MLW05E		
B	114X7068		
C	Application	MBP	IP 54
D	Refrigerant	(1) R404A R507 R448A/R449A R407A/R407F/R452A	(2) R134a R513A
E	M.W.P. HP	(1) 28 bar	(2) 23 bar
	M.W.P. LP	(1) 7 bar	(2) 5 bar
F	Voltage	230 V ~ 1N ~ 50Hz	Max Ref Qty 5.4 kg
	LRA	60 A	MCC 19 A
	OIL INSIDE	POE 46	RLA 8.3 A
G	Serial No.	064119CG1517	PS up 28 bar
	EAN No.	XXXXXXXXXXXXXXXXXX	

Danfoss Ltd., 22Wycombe End, HP9 1NE, GB
Wenstrup TOB s.r.l. / Danfoss TOB 04080, Kalle 80, n.c. 168, Vipiteno



Picture 1 : Minimum mounting distances

L [mm]	M [mm]	N [mm]	O [mm]
250	650	550	550

⚠ Installation and servicing of the condensing units by qualified personnel only. Follow these instructions and sound refrigeration engineering practice relating to installation, commissioning, maintenance and service.

⚠ The condensing unit must only be used for its designed purpose(s) and within its scope of application.

⚠ Under all circumstances, the EN378 (or other applicable local safety regulation) requirements must be fulfilled.

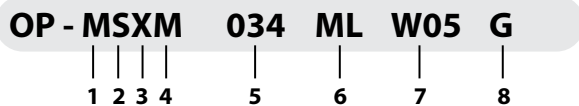
The condensing unit is delivered under nitrogen gas pressure (1 bar) and hence it cannot be connected as it is; refer to the «installation» section for further details.

The condensing unit must be handled with caution in the vertical position (maximum offset from the vertical : 15°)

* For exact values please refer name plate in unit

- A: Model
- B: Code number
- C: Application, Protection
- D: Refrigerant
- E: Housing Service Pressure (Maximum working pressure)
- F: Supply voltage, Locked Rotor Ampere, Maximum Continuous Current
- G: Serial Number and bar code

Designation system for the Optyma™ Slim Pack range

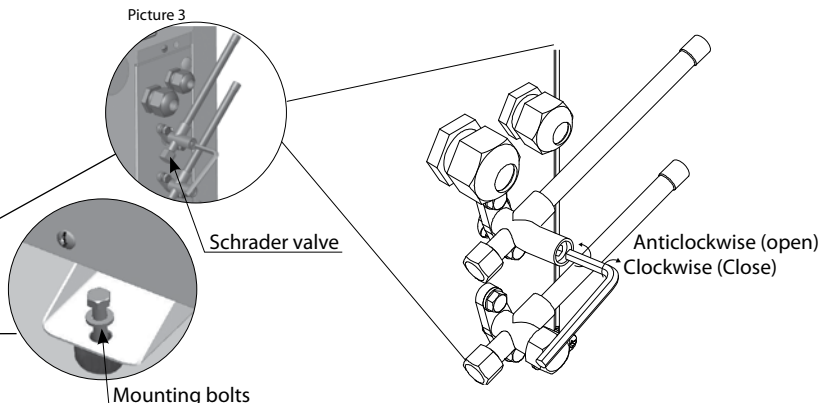
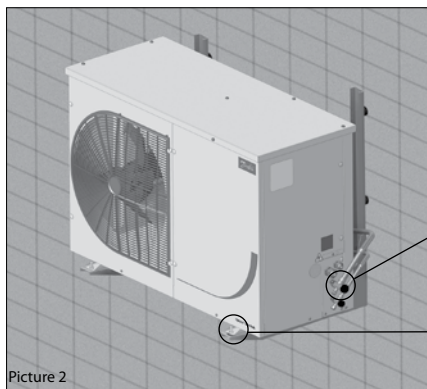


Version control

Optyma™ Slim Pack	W05	W09
IP level	IP54	
Compressor technology	Scroll/Reciprocating	
Control box (pre-wired E-panel)	yes	
Microchannel condenser	yes	
Fan speed controller	-	yes
Main switch (circuit breaker)	-	yes
Filter drier (flare connections)	yes	
Sight glass	yes	
Crankcase heater	yes	
HP/LP adjustable pressostat	Auto/Manual reset mode	
Discharge gas thermostat (provision)	yes*	
HP/LP Alarm (provision)	yes*	

1	Application M = MBP L = LBP
2	Package Condensing unit family: S = Slim Pack
3	Refrigerant H = R404A/R507 ; G = R134a, R513A ; Q = R452A, R404A/R507 X = R404A/R507, R134a, R407A, R407F, R448A, R513A, R449A, R452A ; Y = R404A/R507, R448A, R449A; B = R404A/R507, R449A, R452A; P = R448A/R449A, R407A/F, R404A/R507, O = R452A, R404A/R507, R448A, R449A
4	Condenser M = Microchannel heat condenser
5	Swept volume Displacement in cm ³ Example 034 = 34 cm ³
6	Compressor platform MLZ, LLZ = Scroll Compressor MTZ & NTZ = Reciprocating Compressor
7	Version W05/W09: Optyma™ Slim Pack
8	Voltage code G = 230V/1-phase compressor & 230V/1 phase fan E = 400V/3-phase compressor & 230V/1-phase fan

Instructions



1 – Introduction

These instructions pertain to Optyma™ Slim Pack condensing units OP-LSHM/MSHM/MSGM/LSQM/MSXM/MSYM/MSBM (R448A, R449A, R452A, R407A, R407F, R507, R404A, R134a, R513A) used for refrigeration systems. They provide necessary information regarding safety and proper usage of this product.

The condensing unit includes following:

- Scroll/reciprocating compressor
- Microchannel heat exchanger
- Dual pressure switches
- Service valves Suction/ liquid
- Weather proof housing
- Filter drier
- Crankcase heater for compressor
- Receiver with stop valve
- Sight glass
- Phase sequence relay (scroll compressors)
- Fully pre-wired electrical panel (including main switch, compressors contactor, overload relay)
- Fan speed controller and External main switch (W09 only)

2 – Handling and storage

- It is recommended not to open the packaging before the unit is at the final place for installation.
- Handle the unit with care. The packaging allows for the use of a forklift or pallet jack. Use appropriate and safe lifting equipment.
- Store and transport the unit in an upright position.
- Store the unit between -35°C and 50°C.
- Don't expose the packaging to rain or corrosive atmosphere.
- After unpacking, check that the unit is complete and undamaged.

3 – Installation precautions

- ⚠ Do not braze as long the condensing unit is under pressure.
- ⚠ Never place the unit in a flammable atmosphere
- ⚠ Place the unit in such a way that it is not blocking or hindering walking areas, doors, windows or similar.
- Ensure adequate space around the unit for air circulation and to open doors. Refer to picture 1 for minimal values of distance to walls.
- Avoid installing the unit in locations which are daily exposed to direct sunshine for longer periods.
- Avoid installing the unit in aggressive and dusty environments.
- Ensure a foundation with horizontal surface (less than 3° slope), strong and stable enough to carry the entire unit weight and to eliminate vibrations and interference.
- The unit ambient temperature may not exceed 50°C during off-cycle.

- Ensure that the power supply corresponds to the unit characteristics (see nameplate).
- When installing units for HFC or HFO refrigerants, use equipment specifically reserved for HFC or HFO refrigerants which was never used for CFC or HCFC refrigerants.
- Use clean and dehydrated refrigeration-grade copper tubes and silver alloy brazing material.
- Use clean and dehydrated system components.
- The suction piping connected to the compressor must be flexible in 3 dimensions to dampen vibrations. Furthermore piping has to be done in such a way that oil return for the compressor is ensured and the risk of liquid slug over in compressor is eliminated.

4 – Installation

- The installation in which the condensing unit is installed must comply to EEC Pressure directive (PED) no. 97/23/EC. The condensing unit itself is not a "unit" in the scope this directive.
- The unit must be securely installed on a stable and rigid support, and fixed from the beginning. See picture 2.
- **It is recommended to install the unit on rubber grommets or vibration dampers (not supplied).**
- Slowly release the nitrogen holding charge through the schrader port.
- Connect the unit to the system as soon as possible to avoid oil contamination from ambient moisture.
- Avoid material entering into the system while cutting tubes. Never drill holes where burrs cannot be removed.
- Braze with great care using state-of-the-art technique and vent piping with nitrogen gas flow.
- Connect the required safety and control devices. When the schrader port is used for this, remove the internal valve.
- It is recommended to insulate the suction pipe up to the compressor inlet with 19 mm thick insulation.

5 – Leak detection

- ⚠ Never pressurize the circuit with oxygen or dry air. This could cause fire or explosion.
- Do not use dye for leak detection.
- Perform a leak detection test on the complete system.
- The maximum test pressure is 31^{*} bar.
- When a leak is discovered, repair the leak and repeat the leak detection.

^{*} 25 bar for OP-.....AJ.... & OP-.....FH.... models

6 – Vacuum dehydration

- Never use the compressor to evacuate the system.
- Connect a vacuum pump to both the LP & HP sides.
- Pull down the system under a vacuum of 500 µm Hg (0.67 mbar) absolute.
- Do not use a megohmmeter nor apply power to the compressor while it is under vacuum as this may cause internal damage.

7 – Electrical connections

- Switch off and isolate the main power supply.
- Ensure that power supply can not be switched on during installation.
- All electrical components must be selected as per local standards and unit requirements.
- Refer to wiring diagram for electrical connections details.
- Ensure that the power supply corresponds to the unit characteristics and that the power supply is stable (nominal voltage ±10% and nominal frequency ±2,5 Hz).
- Dimension the power supply cables according to unit data for voltage and current.
- Protect the power supply and ensure correct earthing.
- Make the power supply according to local standards and legal requirements.
- The unit is equipped with high and low pressure switches, which directly cut the power supply to the compressor and provides 230V a.c. alarm signals (max. 50VA) in case of activation. Parameters for high and low pressure cut outs should be set by installer considering compressor model, refrigerant and application. Units with Danfoss MLZ and LLZ compressors are also equipped with phase sequence relay to protect the unit against phase loss/sequence/ asymmetry and under-/over-voltage. For units with a 3-phase scroll compressor, correct phase sequence for compressor rotation direction shall be observed.
- Determine the phase sequence by using a phase meter in order to establish the phase orders of line phases L1, L2 and L3.
- Connect line phases L1, L2 and L3 to main switch terminals T1, T2 and T3 respectively.

8 – Safety

Fusible Plug is not available in unit, it is replaced with adapter plug.

Unit has liquid receiver with an Adapter Plug with 3/8" NPT connection. installer/end user can select various options as mentioned in EN378-2 : 2016 Article § 6.2.2.3

- The unit/installation into which the condensing unit is mounted/integrated, must be in

Instructions

accordance with the PED.

- Beware of hot and extremely cold components.
- Beware of moving components. Power supply should be disconnected while servicing.

9 – Filling the system

- Wear protective stuff like goggles and protective gloves.
- Never start the compressor under vacuum. Keep the compressor switched off.
- Before charging the refrigerant, verify that the oil level is between $\frac{1}{4}$ and $\frac{3}{4}$ on the compressor oil sight glass. If additional oil is required please refer to the compressors label for type of oil.
- Use only the refrigerant for which the unit is designed for.
- Fill the refrigerant in liquid phase into the condenser or liquid receiver. Ensure a slow charging of the system to 4 – 5 bar for R404A / R507A/R407A/R407F/R448A/R449A or R452A and approx. 2 bar for R134a/R513A.
- Do not put liquid refrigerant through suction line.
- It is not allowed to mix additives with the oil and/or refrigerant
- The remaining charge is done until the installation has reached a level of stable nominal condition during operation.
- Never leave the filling cylinder connected to the circuit.

10 – Verification before commissioning

⚠ Use safety devices such as safety pressure switch and mechanical relief valve in compliance with both generally and locally applicable regulations and safety standards. Ensure that they are operational and properly set.

⚠ Check that the settings of high-pressure switches and relief valves don't exceed the maximum service pressure of any system component.

- Verify that all electrical connections are properly fastened and in compliance with local regulations.
- When a crankcase heater is required, it must be energized at least 12 hours before initial start-up and start-up after prolonged shut-down period.

11 – Start-up

- Never start the unit when no refrigerant is charged.
- All service valves must be in the open position. See picture 3.
- Check compliance between unit and power supply.
- Check that the crankcase heater is working.
- Check that the fan can rotate freely.
- Check that the protection sheet has been removed from the backside of condenser.
- Balance the HP/LP pressure.
- Energize the unit. It must start promptly. If the compressor does not start, check wiring conformity, voltage on terminals and sequence phase.
- Eventual reverse rotation of a 3-phase scroll compressor can be detected by following phenomena; unit is equipped with a phase-reversal relay and compressor doesn't start, the compressor doesn't build up pressure, it has abnormally high sound level and abnormally low power consumption. In such case, shut down the unit immediately and connect the phases to their proper terminals.
- If the rotation direction is correct the low pressure indication on the low pressure gauge shall show a declining pressure and the high pres-

sure indication on the high pressure gauge shall show an increasing pressure.

12 – Check with running unit

- Check the fan rotation direction. Air must flow from the condenser towards the fan.
- Check current draw and voltage.
- Check suction superheat to reduce risk of slugging.
- When a sight glass is provided observe the oil level at start and during operation to confirm that the oil level remains visible.
- Respect the operating limits.
- Check all tubes for abnormal vibration. Movements in excess of 1.5 mm require corrective measures such as tube brackets.
- When needed, additional refrigerant in liquid phase may be added in the low-pressure side as far away as possible from the compressor. The compressor must be operating during this process.
- Do not overcharge the system.
- Follow the local regulations for restoring the refrigerant from unit.
- Never release refrigerant to atmosphere.
- Before leaving the installation site, carry out a general installation inspection regarding cleanliness, noise and leak detection.
- Record type and amount of refrigerant charge as well as operating conditions as a reference for future inspections.

13 – Maintenance

⚠ Always switch off the unit at main switch before remove fan panel.

⚠ Internal pressure and surface temperature are dangerous and may cause permanent injury. Maintenance operators and installers require appropriate skills and tools. Tubing temperature may exceed 100°C and can cause severe burns.

⚠ Ensure that periodic service inspections to ensure system reliability and as required by local regulations are performed.

To prevent system related problems, following Periodic maintenance is recommended:

- Verify that safety devices are operational and properly set.
- Ensure that the system is leak tight.
- Check the compressor current draw.
- Confirm that the system is operating in a way consistent with previous maintenance records and ambient conditions.
- Check that all electrical connections are still adequately fastened.
- Keep the unit clean and verify the absence of rust and oxidation on the unit components, tubes and electrical connections.

The condenser must be checked at least once a year for clogging and be cleaned if deemed necessary. Access to the internal side of the condenser takes place through the fan panel. Microchannel coils tend to accumulate dirt on the surface rather than inside, which makes them easier to clean than fin-&-tube coils.

- Switch off the unit at main switch before remove any panel from the condensing unit.
- Remove surface dirt, leaves, fibres, etc. with a vacuum cleaner, equipped with a brush or other soft attachment. Alternatively, blow compressed air through the coil from the inside out, and brush with a soft bristle. Do not use a wire brush. Do not impact or scrape the coil with the vacuum tube or air nozzle.

If the refrigerant system has been opened, the

system has to be flushed with dry air or nitrogen to remove moisture and a new filter drier has to be installed. If evacuation of refrigerant has to be done, it shall be done in such a way that no refrigerant can escape to the environment.

Service panel removal procedure for W09 Version.



Step 1: Disconnect power supply. Make sure main switch is in off condition before servicing.



Step 2: Remove all top panel screws and then remove Top panel.



Step 3: Remove all side panel screws.



Step 4: Remove side panel on parallel to main switch.



Step 4: Remove side panel on parallel to main switch.

14 – Declaration of incorporation

• **Pressure Equipment Directive 2014/68/EU EN 378-2:2016** - Refrigerating systems and Heat Pumps - Safety and environmental requi-

Instructions

rements-Parts 2: Design, construction, testing, marking and documentation

Low Voltage Directive 2014/35/EU EN 60335-1:2012 + A11:2014- Household and similar electrical appliances-Safety-Part 1: General requirements-for all above mentioned condensing units

Eco-design DIRECTIVE 2009/125/ EC, establishing a framework for the setting of Eco-design requirements for energy-related products. REGULATION (EU) 2015/1095, implementing Eco-design Directive 2009/125/EC with regard to Eco-design requirements for professional refrigerated storage cabinets, blast cabinets, condensing units and process Chiller.

• Condensing unit measurements are made according to standard "EN 13771-2:2007" – Com-

pressor and condensing units for refrigeration-performance testing and test methods- part 2: Condensing units

15 - Warranty

Always transmit the model number and serial number with any claim filed regarding this product.

The product warranty may be void in following cases:

- Absence of nameplate.
- External modifications; in particular, drilling, welding, broken feet and shock marks.
- Compressor opened or returned unsealed.
- Rust, water or leak detection dye inside the compressor.


- Use of a refrigerant or lubricant not approved by Danfoss.
- Any deviation from recommended instructions pertaining to installation, application or maintenance.
- Use in mobile applications.
- Use in explosive atmospheric environment.
- No model number or serial number transmitted with the warranty claim.

16 – Disposal



Danfoss recommends that condensing units and oil should be recycled by a suitable company at its site.

17 - Fan speed controller setting for R134a/R513A refrigerant

FSC type	Fan speed Controller Spare part number	Refrigerant letter	For Refrigerant	Factory setting	Action required*
 XGE-2C	061H3144	G	R134a/R513A	8 bar	360°=1 turn = Approx 0.8 bar (Clockwise rotation = Increase pressure setting, Counter clockwise rotation = Decrease pressure setting)
		Q	R404A/R452A/R507	15 bar	
	H	R404A/R507	15 bar		
	X	R404A/R507/R134a/R513A/ R407A/ R407F/R448A/R449A/R452A	15 bar		
	Y	R404A/R507/R449A	15 bar		
	B	R404A/R507/R448A/R449A/R452A	15 bar		
	061H3248	X	If refrigerant used is R134a or R513A	15 bar	Rotate the screw by 9 turns in counter clockwise direction to reach 8 bar

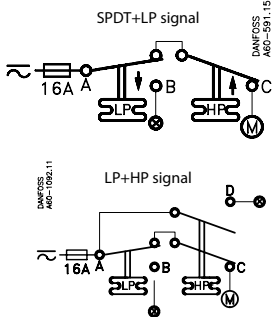
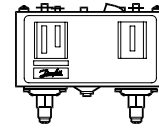
* Installer can set the required setting based on application.

18 - Dual Pressure switch factory settings

Refrigerants	High pressure settings (bar (g))		Low pressure settings (bar (g))	
	ON	OFF	ON	OFF
R404A/R507/R407A/R407F/R448A/R449A/R452A	23	27	2	1
R134a/R513A	13	17	2	1

Instructions

KP17WB



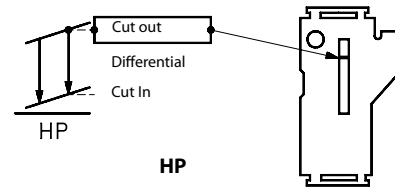
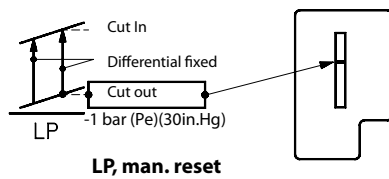
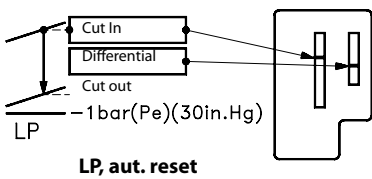
Listed refrigeration controller 61B5

Contacts	Voltage		FL A	LR A	Resist. Load	Pilot duty
	AC	DC				
A-B	240		8	48	8A	3A
A-C	120		16	96	16A	
A-D	240					12W
						50VA

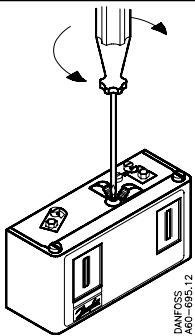
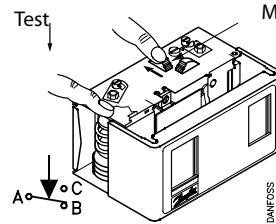
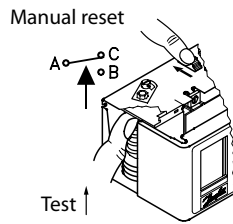
Use Copper wire only
Tightening torque 20lb.in.

When used acc. to UL regulations

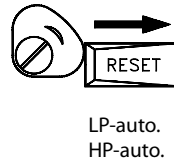
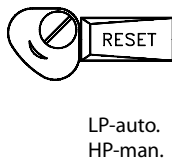
LR 112A	AC1 10A	400 V	DC 11
	AC3 10A		12 W
	AC11 10A		220 V



Manual test



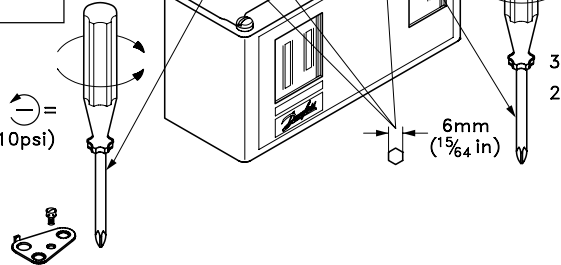
Convertible reset
KP 17B 060-539366, 060-539466



LP
360° ⊕ ⊖ =
0.7 bar(10psi)

LP diff.
360° ⊖ ⊕ =
0.15 bar(2psi)

HP
360° ⊕ ⊖ =
2.3 bar(33.5psi)



DANFOSS
A60-5393.16

Vejledning

Optyma™ Slim Pack

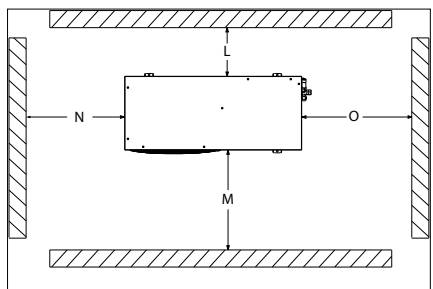
OP-LSQM / LSHM / MSXM / MSHM

MSGM / MSYM / MSBM

Typeskilt

A	OP-MSXM068MLW05E	
B	114X7068	MADE IN INDIA
C	Application MBP	IP 54
D	Refrigerant (1) R404A R507 R448A/R449A R407A/R407F/R452A	(2) R134a R513A
E	M.W.P. HP (1) 28 bar	(2) 23 bar
	M.W.P. LP (1) 7 bar	(2) 5 bar
F	Voltage 230 V ~ 1N ~ 50Hz	Max Ref Qty 5.4 kg
	LRA 60 A	MCC 19 A
	OIL INSIDE POE 46	RLA 8.3 A
		PS _{HP} 28 bar
G	Serial No. 064119CG1517	
	EAN No. XXXXXXXXXXXXXXX	

Danfoss Ltd., 22 Wycombe End, HP9 1NB, GB
Danfoss A/S, 6430 Nordborg, Denmark
118J0415



L [mm]	M [mm]	N [mm]	O [mm]
250	650	550	550

⚠ Kondenseringsaggregatet må kun monteres og serviceres af uddannet personale. Følg denne vejledning og almindelig køleteknisk praksis i forbindelse med montering, idriftsættelse, vedligeholdelse og servicering.

⚠ Kondenseringsaggregatet må kun anvendes til det/de formål, det er beregnet til, og inden for dets anvendelsesområde.

⚠ EN 378 (og andre gældende sikkerhedsbestemmelser) skal altid overholdes.

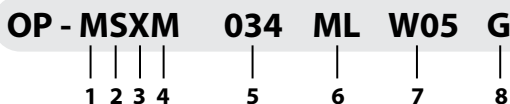
Kondenseringsaggregatet leveres med et nitrogengastryk (1 bar) og kan derfor ikke umiddelbart tilsluttes. Se afsnittet «Montering» for yderligere oplysninger.

Kondenseringsaggregatet skal stå opret og håndteres med forsigtighed (maks. hældningsvinkel fra vertikal: 15 °).

* Se de nøjagtige værdier på enhedens typeskilt

- A:** Model
- B:** Bestillingsnummer
- C:** Applikation, Beskyttelse
- D:** Kølemiddel
- E:** Arbejdsstryk område i huset (Maksimalt driftstryk)
- F:** Forsyningsspænding, LRA (Locked Rotor Ampere), MCC (maksimal optagen strøm)
- G:** Serienummer og strekcode

Betegnelsessystem til Optyma™ Slim Pack-produktprogrammet

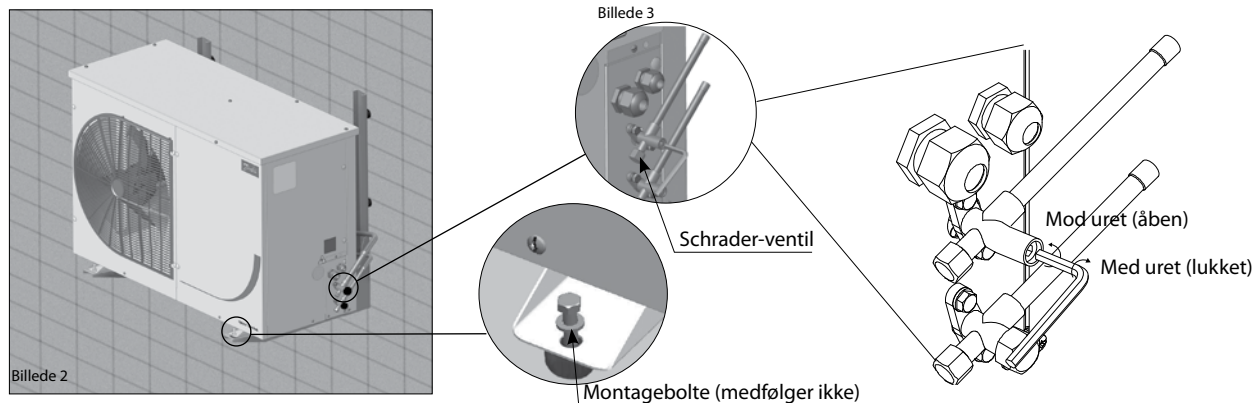


1	Applikation M = MBP L = LBP
2	Pakke Kondenseringsaggregatserie: S = Slim Pack
3	Kølemiddel H = R404A/R507 ; G = R134a, R513A ; Q = R452A, R404A/R507 X = R404A/R507, R134a, R407A, R407F, R448A, R513A, R449A, R452A ; Y = R404A/R507, R448A, R449A; B = R404A/R507, R449A, R452A; P = R448A/R449A, R407A/F, R404A/R507, O = R452A, R404A/R507, R448A, R449A
4	Kondensator M = Microchannel-varmekondensator
5	Slagvolumen Slagvolumen i cm ³ : Eksempel 034 = 34cm ³
6	Kompressorplatform MLZ, LLZ = Scroll-kompressor MTZ og NTZ = Stempelkompressor
7	Version W05/W09: Optyma™ Slim Pack
8	Spændingskode G = 230V/1-faset kompressor og 230 V/1-faset ventilator E = 400V/3-faset kompressor og 230 V/1-faset ventilator

Versionsstyring

Optyma™ Slim Pack	W05	W09
IP-niveau	IP54	
Kompressorsteknologi	Scroll/Stempel	
Eltavle (kabelført elektrisk panel)	ja	
Microchannel-kondensator	ja	
Ventilatorhastighedsregulator	-	ja
Hovedkontakt (maksimalafbryder)	-	ja
Tørrefilter (flarettilslutninger)	ja	
Skueglas	ja	
Krumtapvarme	ja	
HP/LP-justerbar pressostat	Auto/Manuel reset-tilstand	
Afgangsgastermostat (forsyning)	ja*	
HP/LP-alarm (forsyning)	ja*	

Vejledning



1 – Introduktion

Denne vejledning omhandler Optyma™ Slim Pack kondenseringsaggregaterne OP-LSHM/MSHM/MSGM/LSQM/MSXM/MSYM/MSBM (R448A, R449A, R452A, R407A, R407F, R507, R404A, R134a, R513A), der bruges til køleanlæg. Vejledningen indeholder oplysninger om sikkerhed og korrekt anvendelse af produktet.

Kondenseringsaggregatet indeholder følgende:

- Scroll-/stempelkompressor
- mikrokanal-kondensator
- dobbelte differentykspressostater
- serviceventiler, suge/væskeledninger
- robust, vejrbestandigt hus (IP 54)
- tørrefilter
- krumtaphusvarmelegeme til kompressor
- receiver med stopventil
- skueglas.
- Fasesekvensrelæ (Scrollkompressor)
- Fuldt fortrådet elektrisk panel (herunder hovedkontakt, kompressorkontaktor, overbelastningsrelæ)
- Ventilatorhastighedsregulator og ekstern hovedkontakt (kun W09)

2 – Håndtering og opbevaring

- Det anbefales ikke at åbne emballagen, før aggregatet er fremme ved dets endelige installationssted.
- Vær forsigtig ved håndtering af aggregatet. Emballagen muliggør anvendelse af gaffeltruck eller pallevogn. Anvend egnet og sikkert løftegrej.
- Kondenseringsaggregatet skal opbevares og transporteres i opret stilling.
- Kondenseringsaggregatet skal opbevares ved mellem -35 °C og 50 °C.
- Kondenseringsaggregatet og emballagen må ikke udsættes for regn eller korroderende atmosfærer.
- Efter udpakningen skal du kontrollere, at aggregatet er helt og ubeskadiget.

3 – Forholdsregler ved installationen

- ⚠ Undlad lodning, så længe kondenseringsaggregatet er under tryk.
- ⚠ Aggregatet må aldrig anvendes i en brandbar atmosfære.
- ⚠ Placér aggregatet, så det ikke blokerer trafikveje, døre, vinduer o.l.
- Sørg for, at der er tilstrækkelig plads omkring aggregatet, til at luften kan cirkulere og døre kan åbnes. Se billede 1 for minimumsafstanden til væggen.
- Installer ikke aggregatet på steder, der dagligt

udsættes for sollys i længere tidsrum.

- Installer ikke aggregatet i aggressive og støvede omgivelser.
- Installer aggregatet på et underlag med en vandret overflade (< 3° hældning), som er stærkt og stabilt nok til at bære aggregatets samlede vægt og eliminere vibration og forstyrrelser.
- Aggregatets omgivelsestemperatur må ikke overstige 50 °C, når det er slukket.
- Kontrollér, at strømforsyningen svarer til kondenseringsaggregatets specifikationer (se typeskiltet).
- Når aggregater til HFC eller HFO -kølemidler monteres, skal der anvendes udstyr, som er forbeholdt HFC eller HFO-kølemidler, og som aldrig har været anvendt til CFC- eller HCFC-kølemidler.
- Anvend rene og tørre kølemiddelegnede kobberør og slagloddemateriale med sølvlegering.
- Anvend rene og tørre anlægsdele.
- Sugeledningen, som er forbundet med kompressoren, skal være fleksibel i tre dimensioner for at kunne dæmpe vibrationerne. Derudover skal rørføringen sikre olieretur til kompressoren og eliminere væskeslag i kompressoren.

4 – Installation

- Den installation, som kondenseringsaggregatet monteres i, skal være i overensstemmelse med Trykudstyrsdirektivet (PED) nr. 97/23/EF. Kondenseringsaggregatet er ikke i sig selv omfattet af direktivet.
- Aggregatet skal være sikkert monteret i et stabilt og fast ophæng og fastgjort fra starten. Se billede 2.
- **Det anbefales at montere aggregatet på gumrifødder eller vibrationsdæmpere (medfølger ikke).**
- Tøm langsomt nitrogenfyldningen ud gennem schrader-porten.
- Slut aggregatet til anlægget så hurtigt som muligt for at undgå oliekontaminering fra fugtighed i omgivelserne.
- Sørg for, at der ikke kommer spåner eller lignende ind i anlægget, når der skæres rør. Bør aldrig huller, hvis graterne ikke kan fjernes.
- Vær meget forsigtig ved slaglodning. Anvend altid de sidste nye teknikker, og udluft rørene med en nitrogengasgennemstrømning.
- Tilslut de nødvendige sikkerheds- og styreanordninger. Når schrader-porten anvendes til dette formål, skal den indvendige ventil fjernes.

- Det anbefales at isolere sugerøret til kompressorens sugeside med 19 mm tyk isolering.

5 – Lækregistrering

- ⚠ Kredsløbet må aldrig tryksættes med oxygen eller tør luft. Dette kan medføre brand eller eksplosion.
- Anvend ikke farvestoffer til lækregistrering.
- Udfør en læk søgningstest på hele anlægget.
- Det maksimale testtryk er 31^{*)} bar.
- Hvis der opdages en læk, skal denne repareres, og læk søgningen skal gentages.

^{*) 25 bar for OP-.....AJ-.... & OP-.....FH-.... Modeller}

6 – Vakuuømørring

- Kompressoren må aldrig anvendes til tomsugning af anlægget.
- Slut en vakuumpumpe til både lavtryks- og højtrykssiden.
- Vakuumer anlægget til et absolut tryk på 500 µm Hg (0,67 mbar).
- Der må hverken anvendes et megohmmeter eller sluttet strøm til kompressoren, mens den er under vakuum, da dette kan forårsage indvendige skader.

7 – Elektriske tilslutninger

- Sluk og isoler hovedstrømforsyningen.
- Kontrollér, at strømforsyningen ikke kan tilsluttes under montagen.
- Alle elektriske komponenter skal vælges i overensstemmelse med lokale standarder og kondenseringsaggregatets krav.
- Se eldiagrammet for oplysninger om elektrisk tilslutning.
- Kontrollér, at forsyningsspændingen svarer til aggregatets specifikationer, og at forsyningsspændingen er stabil (mærkespænding ± 10 %, mærkefrekvens ± 2,5 Hz)
- Dimensionér forsyningskablerne efter aggregatets data for spænding og strøm.
- Beskyt strømforsyningen, og kontrollér, at den er korrekt jordet..
- Strømforsyningen skal etableres i overensstemmelse med lokale standarder og lovkrav.
- Aggregatet har høj- og lavtrykskontakter, der straks afbryder strømforsyningen til kompressoren og leverer 230 V AC alarmsignaler (maks. 50 V A), hvis de udløses. Parametre for afbrydelse ved højt og lavt tryk skal indstilles af installatøren under hensyntagen til kompressormodel, kølemiddel og anvendelse. Aggregater med Danfoss MLZ- og LLZ- kompressorer er også udstyret med et fasesekvensrelæ for at beskytte aggregatet mod fasetab/-sekvens-/asymmetri og under-

Vejledning

overspænding.

For aggregater med en trefaset scrollkompressor skal det kontrolleres, at fasesekvensen for kompressorens rotationsretning er korrekt.

- Påvis fasesekvensen ved hjælp af et fasemeter, som fastslår rækkefølgen for linjefase L1, L2 og L3.
- Slut linjefaserne L1, L2 and L3 til henholdsvis klemme T1, T2 og T3.

8 – Sikkerhed

Smeltesikringsstik er ikke tilgængeligt i enheden. Det er udsiftet med et blændprop. Enheden har væskereceiver med et blændprop med 3/8" NPT-tilslutning. Installatør/slutbruger kan vælge forskellige muligheder som nævnt i EN378-2: 2016 Artikel § 6.2.2.3

- Enheden/installationen, som kondenseringsaggregatet er monteret/integreret i, skal være i overensstemmelse med Trykudstyrsdirektivet (PED).
- Vær opmærksom på ekstremt varme og kolde komponenter.
- Vær opmærksom på bevægelige komponenter. Strømforsyning bør frakobles under service.

9 – Fyldning af anlægget

- Anvend personlige værnemidler som beskyttelsesbriller og -handsker.
- Start aldrig kompressoren under vakuum. Kompressoren skal være slukket.
- Inden påfyldning af kølemiddel skal det kontrolleres, at oliestanden er mellem 1/4 og 3/4 på kompressorens olieskueglas. Se kompressorens typeskilt for den korrekte olietype, hvis yderligere oliepåfyldning er nødvendig.
- Anvend kun det kølemiddel, som aggregatet er beregnet til.
- Fyld kølemiddel i væskefase i kondensatoren eller receiveren. Påfyld kølemidlet langsomt indtil 4-5 bar for R404A/R507A/R407A/R407F/R448A/R449A eller R452A og ca. 2 bar for R134a/R513A.
- Undgå at sende kølemiddelvæske gennem sugeledningen.
- Additiver må ikke iblandes olien og/eller kølemidlet.
- Den resterende påfyldning udføres, indtil installationen har nået en stabilt nominal tilstand under drift.
- Efterlad aldrig fyldningscylinderen sluttet til kredsløbet.

10 – Godkendelse inden idriftsættelse

⚠ Anvend sikkerhedsanordninger, som f.eks. sikkerhedspressostater og mekaniske sikkerhedsventiler, som både overholder generelle og lokale bestemmelser og sikkerhedsstandarder. Sørg for, at de fungerer og er indstillet korrekt.

⚠ Kontrollér, at indstillingerne på højtrykspresostaterne og sikkerhedsventilerne ikke overstiger det maksimale driftstryk på nogen af anlæggets dele.

- Kontrollér, at alle elektriske tilslutninger er korrekt fastgjorte og overholder de lokale bestemmelser.
- Når der anvendes et krumtaphusvarmelegeme, skal det strømføres mindst 12 timer før den første opstart og før opstart efter langvarige standsninger.

11 – Opstart

- Start aldrig aggregatet, hvis der ikke er påfyldt kølemiddel.
- Alle serviceventiler skal være åbne. Se billede 3.
- Kontrollér, at der overensstemmelse mellem aggregatet og forsyningsspændingen.
- Kontrollér, at krumtaphusvarmelegemet fungerer.
- Kontrollér, at blæseren kan rotere frit.
- Kontrollér, at beskyttelsespladen bag på kondensatoren er fjernet.
- Afbalancer højtrykket/lavtrykket.
- Slut strøm til kompressoren. Den skal starte med det samme. Hvis kompressoren ikke starter, skal ledningsføringen, klemmernes spænding og fasesekvensen kontrolleres.
- Eventuel omvendt rotation af en trefaset scrollkompressor kan påvises ved følgende driftsmønster: Aggregatet er udstyret med et faser-verseringsrelæ, og kompressoren starter ikke, kompressoren opbygger ikke tryk, dens lyd-niveau er unormalt højt, og strømforbruget er unormalt lavt. I dette tilfælde skal aggregatet slukkes med det samme, og faserne slutes til de korrekte klemmer.
- Hvis rotationsretningen er korrekt, skal lavtryksvisningen på lavtryksmanometeret angive et faldende tryk, og højtryksvisningen på højtryksmanometeret skal angive et stigende tryk.

12 – Kontrol med kørende aggregat

- Kontrollér blæserens rotationsretning. Der skal strømme luft fra kondensatoren mod blæseren.
- Kontrollér strømforbrug og spænding.
- Kontrollér sugeoverhedningen for at reducere risikoen for væskeslag.
- Hvis et olieskueglas er monteret, skal det ved start og under driften kontrolleres, at oliestanden forbliver synlig.
- Overhold driftsgrænserne.
- Kontrollér alle rør for unormale vibrationer. Hvis der er bevægelser på mere end 1,5 mm, skal der træffes korrigerende foranstaltninger, som f.eks. montering af rørstøtter.
- Hvis det er nødvendigt, kan der tilføjes et ekstra kølemiddel i væskefase i lavtrykssiden så langt væk som muligt fra kompressoren. Kompressoren skal køre under denne proces.
- Anlægget må ikke overfyldes.
- Følg de lokale bestemmelser for aftapning af kølemidler fra enhed.
- Slip aldrig kølemiddel ud i atmosfæren.
- Inden monteringsstedet forlades, udføres et generelt monteringseftersyn, hvor renlighed, støj og tæthed kontrolleres.
- Notér både kølemiddeltypen og -fyldningen foruden driftsbetingelserne. Dette anvendes som referencepunkt ved fremtidige eftersyn.

13 – Vedligeholdelse

- ⚠ Afbryd altid strømmen på hovedkontakten, før panelet til blæseren afmonteres.
- ⚠ Det indvendige tryk og overfladetemperaturen er farlige og kan forårsage permanente skader. Servicepersonale og installatører skal have de rette kvalifikationer og være i besiddelse af egnet værktøj. Temperaturen i rørene kan overstige 100 °C og kan forårsage alvorlige forbrændinger.
- ⚠ Foretag regelmæssige eftersyn for at sikre an-

læggets driftssikkerhed og som foreskrevet i lokale bestemmelser.

Følgende regelmæssige vedligeholdelse anbefales

for at forhindre anlægsrelaterede problemer

- Kontrollér, at sikkerhedsanordningerne fungerer og er indstillet korrekt.
- Sørg for, at anlægget er tæt.
- Kontrollér kompressorens strømforbrug.
- Kontrollér, at anlægget fungerer i overensstemmelse med tidligere vedligeholdelsesoptegnelser og omgivende forhold.
- Kontrollér, at alle elektriske tilslutninger stadig er ordentligt fastgjorte.
- Sørg for, at aggregatet er rent, og at der ikke er rust eller oxideringer på komponenter, rør eller elektriske tilslutninger.

Kondensatoren skal kontrolleres for tilstopning mindst én gang årligt og om nødvendigt rengøres. Adgang til kondensatorens indre sker gennem blæserens panel. Snavs på microchannel-coils akkumuleres som regel udvendigt og kun i mindre grad indvendigt, hvilket gør dem nemmere at rengøre end lamelcoils.

• Sluk aggregatet på hovedkontakten, før et panel afmonteres fra kondenseringsaggregatet.

- Fjern snavs på overfladen, blade, fibre mv. med en støvsuger, der er forsynet med en børste eller et andet blødt tilbehør. En anden mulighed er at blæse komprimeret luft gennem coilen indefra og ud og rengøre med en blød børste. Undlad at bruge en stålborste. Undgå at lave bule eller ridser i coilen med støvsugerrøret eller luftdysen.

Hvis kølemiddel anlægget har været åbnet, skal det blæses igennem med tør luft eller nitrogen for at fjerne eventuel fugt, samtidig med at et nyt tørrefilter

skal installeres. Hvis det bliver nødvendigt at tømme anlægget for kølemiddel, skal det ske på en sådan måde, at der ikke sker udledning af kølemiddel til miljøet.

Procedure for fjernelse af dæksel vedrørende W09 version.



Trin 1: Frakobl strømforsyning. Sørg for, at hovedkontakten er i slukket tilstand før servicering.



Trin 2: Fjern alle skruer i toppanelet, og fjern derefter toppanelet.

Vejledning



Trin 3: Fjern alle skruer i sidepanelet.



Trin 4: Fjern sidepanelet parallelt med hovedkontakten.

14 – Overensstemmelseserklæring

• **Trykregulativet (Pressure Equipment Directive) 2014/68/EU EN 378-2:2016** - Kølesystemer og varmepumper – Sikkerheds- og miljømæssige krav - Del 2: Design, konstruktion, tests, mærkning og dokumentation

• **Lavspændingsdirektivet 2014/35/EU** EN 60335-1:2012 + A11:2014- Elektriske apparater til husholdningsbrug o.l. – Sikkerhed – Del 1: Generelle krav for alle ovennævnte kondenseringsaggregater

• **Ecodesign-DIREKTIV 2009/125/EF** om rammerne for fastlæggelse af krav til miljøvenligt design af energirelaterede produkter. KOMMISSIONENS FORORDNING (EU) 2015/1095 om gennemførelse af Europa-Parlamentets og Rådets direktiv 2009/125/EF for så vidt angår krav til miljøvenligt design for professionelle lagerkøleskabe/lagerfryseskabe, blæstkølere/frysere, kondenseringsaggregater og væskkølere til proceskøling.

• Kondenseringsaggregatmålinger er udført i henhold til standarden EN 13771-2:2007 – Kompressorer og kondenserende enheder til køling – Ydeevneprøvning og prøvningsmetoder – Del 2: Condensing units

15 – Garanti

Indsend altid modelnummer og serienummer sammen med en evt. skadesanmeldelse for dette produkt.

Produktgarantien kan bortfalde i følgende tilfælde:

- Manglende typeskilt.
- Udvendige ændringer, i særdeleshed boring,

svejsning, ødelagte fødder og stødmærker.


- Kompressoren har været åbnet eller er returneret uden forsegling.
- Der er rust, vand eller farvestof til registrering af læk i kompressoren.
- Der er anvendt kølemiddel eller smøremiddel, som ikke er godkendt af Danfoss.
- Anvisningerne angående montering, anvendelse eller vedligeholdelse er ikke fulgt.
- Produktet er anvendt i mobile applikationer.
- Produktet er anvendt i et eksplosivt miljø.
- Der er ikke indsendt et modelnummer eller et serienummer sammen med garantianmeldelsen.

16 – Bortskaffelse



Danfoss anbefaler, at kondenseringsaggregater og kompressorolie genanvendes af en egnet virksomhed.

17 - Blæserhastighedsstyring, indstilling for R134a/R513A kølemiddel

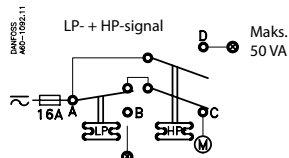
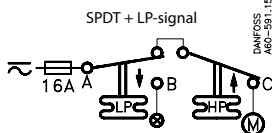
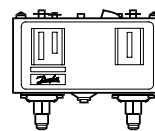
FSC type	Blæserhastighedsstyring Reservevedelsnummer	Kølemiddel bogstav	For kølemiddel	Fabriksindstilling	Handling påkrævet
 XGE-2C	061H3144	G	R134a/R513A	8 bar	360° = 1 omdrejning = Ca. 0,8 bar Drejning med uret = Øger trykindstillingen Drejning mod uret = Sænker trykindstillingen
		Q	R404A/R452A/R507	15 bar	
	H	R404A/R507	15 bar		
	X	R404A/R507/R134a/R513A/ R407A/R407F/R448A/R449A/R452A	15 bar		
	Y	R404A/R507/R449A	15 bar		
	B	R404A/R507/R448A/R449A/R452A	15 bar		
	061H3248	X	Hvis kølemiddel er R134a	15 bar	Drej skruen med 9 omdrejninger med uret for at nå 8 bar

* Installatøren kan foretage den påkrævede indstilling baseret på applikationen.

18 - Fabriksindstillinger for dobbelt pressostat

Kølemidler	Højtrykindstillinger (bar (g))		Lavtrykindstillinger (bar (g))	
	ON	OFF	ON	OFF
R404A/R507/R407A/R407F/R448A/R449A/R452A	23	27	2	1
R134a/R513A	13	17	2	1

KP17WB



Anført køleregulator

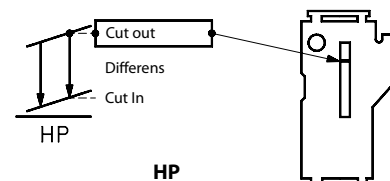
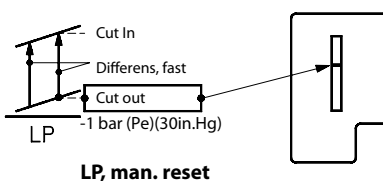
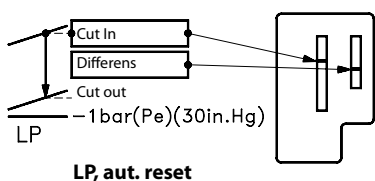
61B5

Kontakter	Spænding		FL A	LR A	Resist. Belastning	Styre- strøm
	AC	DC				
A-B	240		8	48	8A	3A
A-C	120		16	96	16A	
A-D	240					12W
						50VA

Brug kun kobberledning
Tilspændingsmoment 20 lb.in

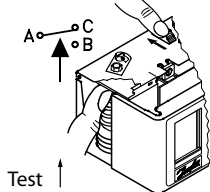
Ved brug i henhold til UL-bestemmelserne

LR 112A	AC1 10A	400 V	DC 11
	AC3 10A		12 W
	AC11 10A		220 V

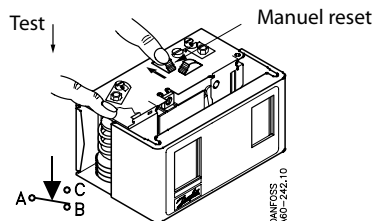


Manuel test

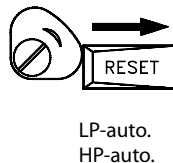
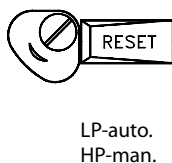
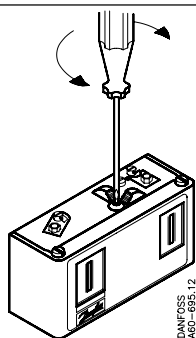
Manuel reset



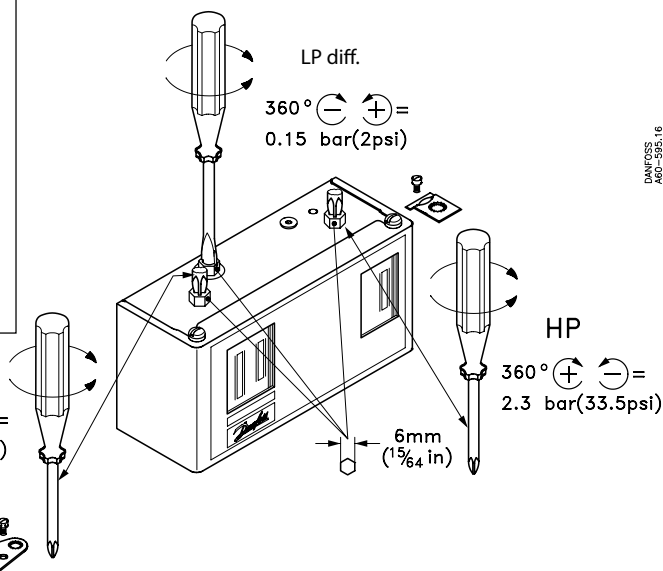
Test



Konvertibel reset
KP 17B 060-539366, 060-539466



LP
360° (+) (-) =
0.7 bar (10psi)



DANFOSS
A60-595.16

Anleitung

Optyma™ Slim Pack

OP-LSQM / LSHM / MSXM / MSHM

MSGM / MSYM / MSBM

Typenschild

A	OP-MSXM068MLW05E		 MADE IN INDIA
B	114X7068		
C	Application	MBP	IP 54
D	Refrigerant	(1) R404A R507 R448A/R449A R407A/R407F/R452A	(2) R134a R513A
E	M.W.P. HP	(1) 28 bar	(2) 23 bar
	M.W.P. LP	(1) 7 bar	(2) 5 bar
F	Voltage	230 V ~ 1N ~ 50Hz	Max Ref Qty 5.4 kg
	LRA	60 A	MCC 19 A
	OIL INSIDE	POE 46	RLA 8.3 A
G	Serial No.	064119CG1517	PS _{HP} 28 bar
	EAN No.	XXXXXXXXXXXXXXX	

Danfoss Ltd., 23 Mycumbro End, HPS 9 INB, GB
Импортер: ТОО «Данфосс ТОО» 04080, Казань 80, п/с 168, Уфа, Россия

Danfoss A/S, 6430 Nordborg, Denmark

* Genaue Werte siehe Typenschild in der Einheit

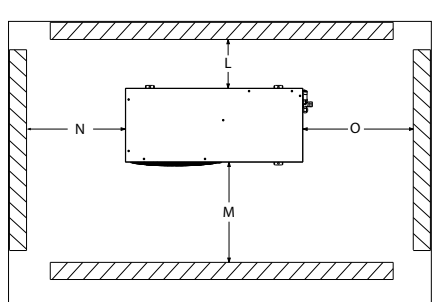


Bild 1: Mindestmontageabstände

L [mm]	M [mm]	N [mm]	O [mm]
250	650	550	550

⚠ **Montage und Wartung der Verflüssigungssätze sollten ausschließlich qualifiziertem Fachpersonal überlassen werden. Befolgen Sie diese Anleitung sowie die allgemein anerkannten Regeln für Einbau, Inbetriebnahme, Wartung und Instandhaltung von Kältetechnischen Anlagen.**

⚠ Der Verflüssigungssatz darf nur für den vorgesehenen Zweck und im entsprechenden Anwendungsbereich eingesetzt werden.

⚠ Die Bestimmungen gemäß EN378 (und alle anderen in Ihrem Land geltenden Sicherheitsvorschriften) müssen unbedingt eingehalten werden.

Bei Lieferung ist der Verflüssigungssatz mit gasförmigem Stickstoff gefüllt, der unter einem Druck von 1 bar steht. In diesem Zustand darf der Verflüssigungssatz nicht angeschlossen und betrieben werden. Näheres hierzu erfahren Sie im Abschnitt „Montage“.

Der Verflüssigungssatz muss in vertikaler Position montiert gebracht werden (maximale Abweichung von der Senkrechten: 15 °)

- A:** Typ
- B:** Bestellnummer
- C:** Anwendung
- D:** Kältemittel
- E:** Zulässiger Betriebsüberdruck
- F:** Versorgungsspannung, Anlaufstrom, maximaler Betriebsstrom
- G:** Seriennummer und Barcode

Bezeichnungssystem für das Produktprogramm Optyma™ Slim Pack

OP - MSXM 034 ML W05 G

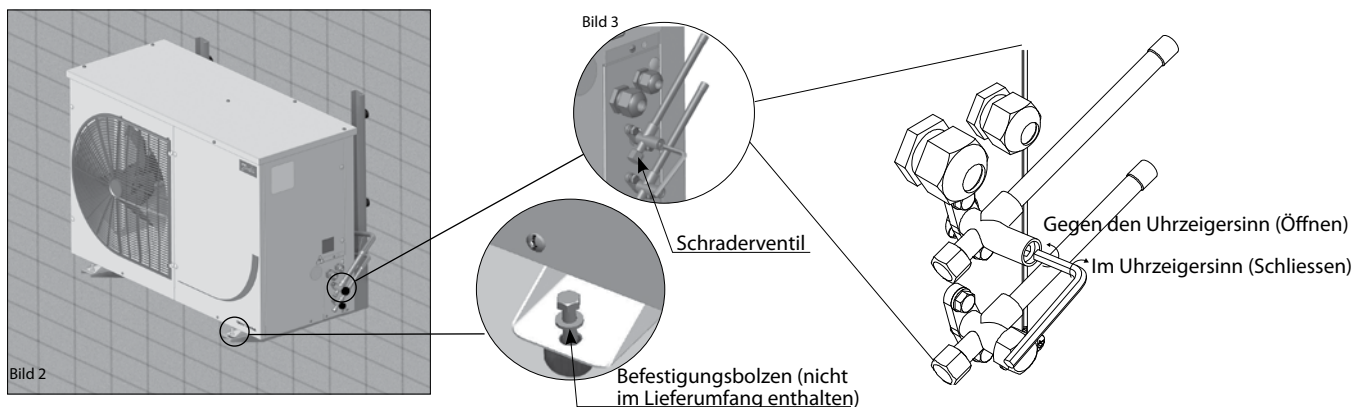
1 2 3 4 5 6 7 8

1	Anwendung M = MBP L = LBP
2	Verbund Verflüssigungssatzbaureihe: S = Slim Pack
3	Kältemittel H = R404A/R507 ; G = R134a, R513A ; Q = R452A, R404A/R507 X = R404A/R507, R134a, R407A, R407F, R448A, R513A, R449A, R452A ; Y = R404A/R507, R448A, R449A; B = R404A/R507, R449A, R452A; P = R448A/R449A, R407A/F, R404A/R507, O = R452A, R404A/R507, R448A, R449A
4	Verflüssiger M = Microchannel-Verflüssiger
5	Hubvolumen Hubvolumen in cm ³ : Beispiel 034 = 34 cm ³
6	Verdichterplattform MLZ, LLZ = Scrollverdichter MTZ & NTZ = Hubkolbenverdichter
7	Version W05/W09: Optyma™ Slim Pack
8	Spannungscodes G = 230V/1-Phasen-Verdichter und 230 V/1-Phasen-Lüfter E = 400V/3-Phasen-Verdichter und 230 V/1-Phasen-Lüfter

Ausstattungsunterschiede

Optyma™ Slim Pack	W05	W09
IP-Schutzart	IP54	
Verdichtertechnologie	Scrollverdichter/ Hubkolbenverdichter	
Integrierter elektrischer Schaltkasten	Ja	
Microchannel-Verflüssiger	Ja	
Lüfterdrehzahlregler	-	Ja
Hauptschalter (Leistungsschalter)	-	Ja
Filtertrockner (Bördelanschlüsse)	Ja	
Schauglas	Ja	
Kurbelgehäuseheizung	Ja	
Einstellbarer HD-/ND-Druckschalter	Auto/Manueller Resetmodus	
Heißgasthermostat (möglich)	Ja*	
HD/ND-Alarm (möglich)	Ja*	

Anleitung



1. Einleitung

Diese Anleitung bezieht sich auf die Verflüssigungssätze der Produktreihe Optyma™ Slim Pack OP-LSHM/MSHM/MSGM/LSQM/MSXM/MSYM/MSBM (R448A, R449A, R452A, R407A, R407F, R507, R404A, R134a, R513A) für Kälteanlagen. Sie enthält die erforderlichen Angaben für eine sichere und ordnungsgemäße Nutzung dieser Produkte.

Der Verflüssigungssatz enthält Folgendes:

- Scroll-/Hubkolbenverdichter
- Microchannel-Wärmeübertrager
- Doppeldruckschalter
- Serviceventile Saug-/Flüssigkeit
- Robustes, wetterfestes Gehäuse (IP 54)
- Filtertrockner
- Kurbelwannenheizung für Verdichter
- Sammler mit Absperrventil
- Schauglas
- Phasenfolgerelay (Scrollverdichter)
- Vollständig vorverdrahtete Schalttafel (einschließlich Hauptschalter, Verdichterschütz, Überlastrelais)
- Lüfterdrehzahlregler und externer Hauptschalter (nur W09)

2. Handhabung und Lagerung

- Es wird empfohlen, die Verpackung erst am endgültigen Montageort zu öffnen.
- Handhaben Sie das Gerät pfleglich. Die Verpackung gestattet den Einsatz eines Gabelstaplers oder -hubwagens. Verwenden Sie ausschließlich geeignete und sichere Hebezeuge.
- Der Verflüssigungssatz darf nur aufrecht stehend transportiert und gelagert werden.
- Zulässige Lagertemperatur: -35 °C bis 50 °C.
- Die Verpackung darf weder Regen, noch ätzenden Atmosphären ausgesetzt werden.
- Vergewissern Sie sich nach dem Auspacken, dass der Verflüssigungssatz vollständig und unbeschädigt ist.

3. Sicherheitsvorkehrungen bei der Installation

- ⚠ Nicht löten, solange die Verflüssigereinheit unter Druck steht.
- ⚠ Stellen Sie den Verflüssigungssatz niemals in einer explosionsfähigen Atmosphäre auf.
- ⚠ Achten Sie bei der Positionierung des Verflüssigungssatzes darauf, dass keine Durchgänge, Türen, Fenster oder Ähnliches blockiert werden.
- Achten Sie darauf, dass ausreichend Platz um den Verflüssigungssatz gelassen wird, damit die Luft zirkulieren kann und sich sämtliche Türen öffnen lassen. Die Mindestabstände zu den Wänden entnehmen Sie Bild 1.
- Installieren Sie den Verflüssigungssatz NICHT an Orten, die täglich längerer Sonneneinstrahlung ausgesetzt sind.

- Installieren Sie den Verflüssigungssatz NICHT in aggressiven oder staubigen Umgebungen.
- Stellen Sie den Verflüssigungssatz auf einer horizontalen Fläche (mit weniger als 3 Grad Neigung) auf. Der Boden sollte eine ausreichende Tragfähigkeit besitzen, um das Gewicht des gesamten Verflüssigungssatzes tragen zu können, und stabil genug sein, um Vibrationen und Interferenzen zu eliminieren.
- Im Aus-Zustand darf die Umgebungstemperatur des Verflüssigungssatzes 50 °C nicht überschreiten.
- Vergewissern Sie sich, dass die Versorgungsspannung den Motoreigenschaften des Verflüssigungssatzes entspricht (siehe Typenschild).
- Verwenden Sie bei der Installation der Verflüssigungssätze für HFKW-Kältemittel oder HFO nur Teile, die speziell für HFKW-Kältemittel oder HFO vorgesehen sind und die zuvor nicht in Anlagen mit FCKW- oder HFCKW-Kältemitteln eingesetzt wurden.
- Verwenden Sie saubere und trockene für Kältemittel geeignete Kupferrohre und Silberlot.
- Benutzen Sie saubere und trockene Anlagenbauteile.
- Die an den Verdichter angeschlossenen Saugleitungen müssen in alle 3 Dimensionen flexibel sein, um Vibrationen zu dämpfen. Darüber hinaus muss die Verrohrung so erfolgen, dass der Ölrücklauf zum Verdichter sichergestellt ist und dass das Risiko von Flüssigkeitsschlägen im Verdichter ausgeschlossen ist.

4. Installation

- Die Anlage, in die der Verflüssigungssatz eingebaut wird, muss der Druckgeräterichtlinie (DGRL) Nr. 97/23/EG entsprechen. Der Verflüssigungssatz selbst ist kein „Gerät“ im Sinne dieser Richtlinie.
- Die Einheit muss von Beginn an sicher installiert sein und auf festem Boden stehen. Siehe Abb. 2
- **Es wird empfohlen, den Verflüssigungssatz auf Montagegummis oder Schwingungsdämpfern (nicht im Lieferumfang enthalten) zu montieren.**
- Lassen Sie die Stickstoff-Füllung langsam durch den Schraderanschluss ab.
- Schließen Sie den Verflüssigungssatz möglichst schnell an die Anlage an, um eine Kontamination des Öls mit Umgebungfeuchtigkeit zu vermeiden.
- Verhindern Sie, dass beim Zuschneiden der Rohrleitungen Fremdkörper in die Anlage eindringen. Bohren Sie niemals Löcher, deren Grat nicht entfernt werden können.
- Lassen Sie beim Löten größte Vorsicht walten. Verwenden Sie nur modernste Lötverfahren

- und lüften Sie die Rohrleitungen mit gasförmigem Stickstoff.
- Schließen Sie die erforderlichen Sicherheits- und Steuergeräte an. Falls der Schraderanschluss verwendet wird, entfernen Sie das interne Ventil.
- Es wird empfohlen, die Saugleitung bis zum Verdichtereintritt mit einer 19 mm dicken Isolierung zu dämmen.

5. Lecksuche

- ⚠ Setzen Sie den Kreislauf niemals mit Sauerstoff oder trockener Luft unter Druck. Das könnte einen Brand oder eine Explosion verursachen.
- Benutzen Sie für die Lecksuche keinen Farbstoff.
- Überprüfen Sie die gesamte Anlage auf Dichtheit.
- Der maximale Prüfdruck beträgt 31* bar.
- Reparieren Sie entdeckte Lecks und wiederholen Sie dann die Lecksuche.

* 25 bar für OP-.....AJ.... & OP-.....FH.... Modelle

6. Evakuieren

- Benutzen Sie niemals den Verdichter zur Evakuierung der Anlage.
- Schließen Sie sowohl an die Nieder- als auch an die Hochdruckseite eine Vakuumpumpe an.
- Evakuieren Sie die Anlage bis auf einen Absolutwert von 500 µm Hg (0,67 mbar).
- Verwenden Sie während der Evakuierung kein Megohmmeter und legen Sie auch keine Spannung an den Verdichter an, um eine Beschädigung des Verdichters zu vermeiden.

7. Elektrische Anschlüsse

- Schalten Sie die Spannungsversorgung ab und trennen Sie den Verflüssigungssatz vom Netz.
- Stellen Sie sicher, dass die Spannungsversorgung während der Installation nicht eingeschaltet werden kann.
- Die Auswahl aller elektrischen Bauteile muss gemäß den landesspezifischen Normen und Vorschriften für Verflüssigungssätze erfolgen.
- Näheres zu den elektrischen Anschlüssen entnehmen Sie dem Schaltplan.
- Stellen Sie sicher, dass die Versorgungsspannung den Eigenschaften des Verflüssigungssatzes entspricht und stabil anliegt (Nennspannung ±10 % und Nennfrequenz = ±2,5 Hz)
- Dimensionieren Sie die Spannungsversorgungskabel gemäß der für den Verflüssigungssatz vorgegebene Spannung und Stromstärke.
- Schützen Sie die Spannungsversorgung und stellen Sie deren ordnungsgemäße Erdung sicher.
- Die Spannungsversorgung muss den Normen und gesetzlichen Bestimmungen Ihres Landes entsprechen.

Anleitung

• Die Einheit ist mit Hoch- und Niederdruckschaltern ausgestattet, die bei Aktivierung die Versorgungsspannung des Verdichters direkt unterbrechen und 230-V-Wechselstrom-Alarmsignale ausgeben (max. 50 VA). Parameter für Hoch- und Niederdruckbegrenzungen müssen durch den Installateur vorgenommen werden, unter Berücksichtigung von Verdichtermodell, Kältemittel und Anwendungsbereich. Produkte mit Danfoss MLZ- und LLZ- Verdichtern sind auch mit Phasenfolgerelais ausgestattet, um das Produkt gegen Phasenverlust/falsche Phasenfolge/Asymmetrie und Über-/Unterspannung zu schützen.

Bei Anlagen mit einem 3-Phasen-Scrollverdichter (OP-SMLZxxxxxxxE) muss die korrekte Phasensequenz für die Drehrichtung des Verdichters beachtet werden.

- Ermitteln Sie die Phasensequenz mit einem Phasenmesser, um die Phasenreihenfolge der Leitungsphasen L1, L2 und L3 festzustellen.
- Schließen Sie die Leitungsphasen L1, L2 und L3 an die entsprechenden Hauptschalterklemmen T1, T2 und T3 an.

8 – Sicherheit

Ein Sicherungsstecker ist in der Einheit nicht verfügbar, an seiner Stelle befindet sich ein Adapterstecker.

Die Einheit verfügt über einen Flüssigkeitssammler mit Adapterstecker mit 3/8" NPT-Anschluss. Installateure/Endverbraucher können verschiedene Optionen auswählen gemäß EN 378-2: 2016 Artikel § 6.2.2.3

- Die Kälteanlage, in die der Verflüssigungssatz integriert wird, muss der Druckgeräterichtlinie entsprechen.
- Vorsicht vor heißen und kalten Oberflächen.
- Achten Sie auf bewegliche Komponenten. Während der Wartung muss die Versorgungsspannung getrennt sein.

9. Füllen der Anlage

- Tragen Sie Schutzkleidung wie z. B. eine Schutzbrille und Schutzhandschuhe.
- Nehmen Sie den Verdichter niemals unter Vakuum in Betrieb. Sorgen Sie dafür, dass der Verdichter ausgeschaltet ist und nicht plötzlich auspringt.
- Vor dem Auswechseln des Kältemittels muss sichergestellt sein, dass das Ölniveau im Schauglas des Verdichters zwischen $\frac{1}{4}$ und $\frac{3}{4}$ liegt. Sollte zusätzlich Öl benötigt werden, entnehmen Sie die nötigen Informationen über das erforderliche Öl bitte dem Tapenschild des Verdichters.
- Verwenden Sie ausschließlich das Kältemittel, auf das der Verflüssigungssatz ausgelegt ist.
- Füllen Sie das flüssige Kältemittel in den Verflüssiger oder Sammler. Stellen Sie sicher, dass die Anlage langsam befüllt wird (auf 4 bis 5 bar bei R404A/R507A/R407A/R407F/R448A/R449A / R452A und auf ca. 2 bar bei R134a/R513A).
- Das Kältemittel darf nicht in die Saugleitung gelangen.
- Dem Öl/Kältemittel dürfen keine Zusätze beige-mischt werden.
- Die Anlage wird dann weiter befüllt, bis die Installation beim Betrieb einen stabilen Nennzustand erreicht hat.
- Lassen Sie den Einfüllstutzen niemals an den Kreislauf angeschlossen.

10. Abschließende Prüfung vor der Inbetriebnahme

△ Verwenden Sie gemäß den allgemeinen und landesspezifischen Sicherheitsnormen und -vorschriften Sicherheitsvorrichtungen wie Sicherheitsdruckschalter und mechanische Überdruckventile. Vergewissern Sie sich, dass diese

Sicherheitsvorrichtungen funktionstüchtig und ordnungsgemäß eingestellt sind.

△ Überprüfen Sie, dass die Einstellungen für die Hochdruckschalter und Überdruckventile den maximalen Betriebsdruck jeglicher Bauteile der Anlage nicht überschreiten.

- Vergewissern Sie sich, dass sämtliche elektrischen Anschlüsse ordnungsgemäß befestigt sind und den Vorschriften Ihres Landes entsprechen.
- Wenn eine Kurbelwannenheizung erforderlich ist, muss diese mindestens 12 Stunden vor der ersten Inbetriebnahme der Anlage eingeschaltet werden. Dies gilt auch vor einer erneuten Inbetriebnahme nach einer längeren Stillstandszeit.

11. Inbetriebnahme

- Die Anlage darf keinesfalls ohne Kältemittel gestartet oder betrieben werden.
- Alle Serviceventile müssen geöffnet sein. Siehe Abb. 3.
- Überprüfen Sie, ob die vorhandene Versorgungsspannung mit dem erforderlichen Wert für den Verflüssigungssatz übereinstimmt.
- Überprüfen Sie, ob die Kurbelwannenheizung funktioniert.
- Überprüfen Sie, ob sich der Lüfter frei drehen kann.
- Überprüfen Sie, ob die Schutzfolie auf der Rückseite des Verflüssigers entfernt wurde.
- Nehmen Sie einen Ausgleich zwischen Hoch- und Niederdruckseite vor.
- Schalten Sie den Verflüssigungssatz ein. Der Verflüssigungssatz muss sofort anlaufen. Falls der Verdichter nicht anläuft, überprüfen Sie die Verdrahtung und die Spannung an den Klemmen.
- Ob sich ein 3-Phasen-Scrollverdichter in die Gegenrichtung dreht, lässt sich an folgenden Phänomenen erkennen: Der Verdichter ist mit einem Phasenumkehr-Relais ausgestattet, läuft nicht an und baut keinen Druck auf. Der Verdichter arbeitet mit einem ungewöhnlichen hohen Geräuschpegel. Die Leistungsaufnahme des Verdichters ist ungewöhnlich gering. Bei falscher Drehrichtung des Verdichters muss der Verdichter sofort abgeschaltet werden, um die Leitungsphasen an die korrekten Klemmen anzuschließen.
- Bei korrekter Drehrichtung ist an der Niederdruckanzeige bzw. am Niederdruckmanometer ein sinkender Druck abzulesen – und an der Hochdruckanzeige bzw. am Hochdruckmanometer ein steigender Druck.

12. Überprüfung bei laufendem Verflüssigungssatz

- Überprüfen Sie die Drehrichtung des Lüfters. Die Luft muss vom Verflüssiger zum Lüfter strömen.
- Überprüfen Sie Stromaufnahme und Spannung.
- Überprüfen Sie die Überhitzung der Saugleitung, um das Risiko von Flüssigkeitsschlägen zu vermindern.
- Sofern ein Schauglas vorhanden ist, beobachten Sie den Ölstand beim Anlaufen und während des Betriebs, um sicherzustellen, dass der Ölstand sichtbar bleibt.
- Beachten Sie die Betriebsgrenzen.
- Überprüfen Sie alle Leitungen auf übermäßige Vibrationen. Bewegungen von mehr als 1,5 mm erfordern Korrekturmaßnahmen wie z. B. die Verwendung von Rohralterungen.
- Ggf. kann auf der Niederdruckseite in größtmöglichem Abstand zum Verdichter flüssiges Kältemittel nachgefüllt werden. Während dieses Nachfüllvorgangs muss der Verdichter in Betrieb sein.
- Überfüllen Sie die Anlage nicht.
- Beachten Sie die in Ihrem Land geltenden Vor-

schriften zum Recycling des Kältemittels aus dem Gerät.

- Lassen Sie niemals Kältemittel in die Atmosphäre entweichen.
- Führen Sie eine allgemeine Inspektion der Installation hinsichtlich Sauberkeit, Geräuschpegel und Lecks durch, bevor Sie den Installationsort verlassen.
- Dokumentieren Sie die Art und Menge des Kältemittels sowie die Betriebsbedingungen als Referenz für künftige Inspektionen.

13. Wartung

△ Schalten Sie den Verflüssigungssatz immer mit dem Hauptschalter aus, bevor Sie die Lüftertür öffnen.

△ Der in der Anlage herrschende Druck und die Oberflächentemperatur können dauerhafte körperliche Schäden verursachen.

Die Bediener, Installateure und Wartungstechniker müssen dementsprechend geschult und ausgerüstet sein. Die Temperatur der Rohrleitungen kann 100 °C überschreiten und schwere Verbrennungen verursachen.

△ Stellen Sie sicher, dass regelmäßig Serviceinspektionen gemäß den Vorschriften Ihres Landes durchgeführt werden, um einen zuverlässigen Betrieb der Anlage zu gewährleisten.

Um systembedingte Probleme zu vermeiden, werden

die folgenden regelmäßigen Wartungsarbeiten empfohlen:

- Vergewissern Sie sich, dass die Sicherheitsvorrichtungen funktionstüchtig und ordnungsgemäß eingestellt sind.
- Stellen Sie sicher, dass keine Lecks in der Anlage vorhanden sind.
- Überprüfen Sie die Stromaufnahme des Verdichters.
- Vergewissern Sie sich anhand der Wartungsunterlagen, dass die Anlage entsprechend den bisherigen Werten und Betriebsbedingungen läuft.
- Überprüfen Sie, ob sämtliche elektrischen Anschlüsse noch ordnungsgemäß befestigt sind.
- Sorgen Sie dafür, dass der Verflüssigungssatz sauber ist und bleibt, und vergewissern Sie sich, dass die Bauteile des Verflüssigungssatzes, die Rohre und die elektrischen Anschlüsse frei von Rost und Oxidation sind.

Der Verflüssiger muss mindestens einmal im Jahr auf Verschmutzungen überprüft und ggf. gereinigt werden. Ins Innere des Verflüssigers gelangen Sie über die Lüftertür. Bei Microchannel-Wärmeübertragern lagert sich der Schmutz eher auf als im Verflüssiger. Deshalb sind sie leichter zu reinigen als Kupferrohr-Lamellenverflüssiger.

- Schalten Sie den Verflüssigungssatz mit dem Hauptschalter aus, bevor Sie ein Panel der Einheit entfernen.
- Entfernen Sie oberflächlichen Schmutz, Blätter, Fasern usw. mit einem Staubsauger mit Bürstenaufsatz bzw. mit einem anderen weichen Aufsatz. Alternativ hierzu können Sie auch Druckluft von innen nach außen durch das Register blasen und mit einer weichen Bürste abbürsten. Verwenden Sie keine Drahtbürste. Stoßen Sie nicht mit dem Rohr oder der Düse des Staubsaugers gegen die Spule und vermeiden Sie Kratzer.

Falls der Kältemittelkreislauf geöffnet wurde, muss die Anlage mit trockener Luft oder Stickstoff „gespült“ werden, um jegliche Feuchtigkeit zu entfernen. Zudem muss ein neuer Filtertrockner eingebaut werden. Falls eine Evakuierung des Kältemittels erforderlich sein sollte, muss diese so vorgenommen werden, dass kein Kältemittel in die Umwelt entweicht.

Entnahme des Anschlusskastens der Version W09.

Anleitung



Schritt 1: Trennen Sie die Versorgungsspannung. Vergewissern Sie sich, dass sich der Hauptschalter in der AUS-Position befindet, bevor Sie mit der Wartung beginnen.



Schritt 2: Entfernen Sie alle Schrauben der Deckplatte und dann die Deckplatte.



Schritt 3: Entfernen Sie alle Schrauben der Seitenplatte.



Step 4: Entfernen Sie die Seitenplatte zusammen mit dem Hauptschalter.

14. Konformitätserklärung

• **PED Druckgeräterichtlinie 2014/68/EU EN 378-2:2016** - Kälteanlagen und Wärmepumpen – Sicherheitstechnische und umweltrelevante Anforderungen – Teil 2: Konstruktion, Herstellung, Prüfung, Kennzeichnung und Dokumentation
Niederspannungsrichtlinie 2014/35/EU EN 60335-1:2012 + A11:2014 - Sicherheit elektrischer Geräte für den Hausgebrauch und ähnliche Zwecke – Teil 1: Allgemeine Anforderungen – für alle oben genannten Verflüssigungssätze
Ökodesign-Richtlinie 2009/125/EG zur Schaffung eines Rahmens für die Festlegung von Anforderungen an die umweltgerechte Gestaltung

energieverbrauchsrelevanter Produkte. VERORDNUNG (EU) 2015/1095 zur Durchführung der Richtlinie 2009/125/EG im Hinblick auf die Festlegung von Anforderungen an die umweltgerechte Gestaltung von gewerblichen Kühltage-schränken, Schnellkühlern/-froster, Verflüssigungssätzen und Prozesskühlern.

• Verflüssigungssatzmessungen erfolgen gemäß der Norm „EN 13771-2:2007“ – Kältemittel-Verdichter und Verflüssigungssätze für die Kälteanwendung – Leistungsprüfung und Prüfverfahren – Teil 2: Verflüssigungssätze

15. Garantie

Zur Geltendmachung eines Garantiespruchs müssen stets die Typenbezeichnungen- und Seriennummer des Produkts übermittelt werden.

Unter Umständen erlischt die Produktgarantie in folgenden Fällen:

- Fehlen des Typenschildes.
- Äußere Modifikationen, vor allem durch Bohren, Schweißen, gebrochene Füße und Stoßspuren.
- Öffnung des Verdichters/Rückgabe eines unversiegelten Verdichters.
- Rost, Wasser oder Farbstoff zur Lecksuche im Inneren des Verdichters.
- Verwendung eines von Danfoss nicht zugelassenen Kältemittels oder Schmierstoffes.
- Jegliche Abweichung von den Hinweisen zur Installation, Anwendung oder Wartung.
- Benutzung in mobilen Anwendungen.
- Benutzung in einer explosionsfähigen Atmosphäre.
- Keine Angabe der Modell- oder Seriennummer bei der Geltendmachung des Garantiespruchs.

16. Entsorgung

Danfoss empfiehlt die Entsorgung der Verflüssigungssätze und des Öls durch ein entsprechend qualifiziertes Unternehmen am Standort der Anlage.



17. Einstellung des Drehzahlreglers für das Kältemittel R134a/R513A.

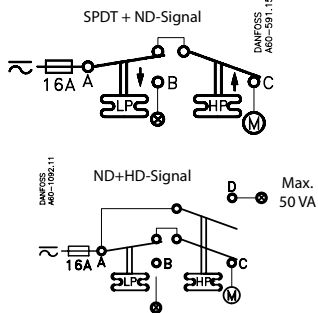
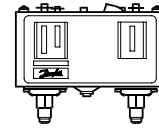
DZR Typ	Drehzahlregler Ersatzteilnummer	Kältemittelgruppe	Für das Kältemittel	Werkseinstellung	Erforderliche Einstellung
 XGE-2C	061H3144	G	R134a/R513A	8 bar	360° = 1 Umdrehung = ca.0,8 bar (Änderung im Uhrzeigersinn = Anhebung der Druckeinstellung, Änderung gegen den Uhrzeigersinn = Verringerung der Druckeinstellung)
		Q	R404A/R452A/R507	15 bar	
		H	R404A/R507	15 bar	
	061H3248	X	R404A/R507/R134a/R513A/ R407A/ R407F/R448A/R449A/R452A	15 bar	
		Y	R404A/R507/R449A	15 bar	
		B	R404A/R507/R448A/R449A/R452A	15 bar	
		X	Bei Verwendung von R134a	15 bar	Änderung um 9 Umdrehungen gegen den Uhrzeigersinn um 8 bar einzustellen

* Der Inbetriebnahmemonteur sollte die erforderlichen Einstellungen entsprechend der Anwendung vornehmen.

18 - Werkseinstellungen Doppeldruckschalter

Kältemittel	Hochdruckeinstellungen (bar (g))		Niederdruckeinstellungen (bar (g))	
	EIN	AUS	EIN	AUS
R404A/R507/R407A/R407F/R448A/R449A/R452A	23	27	2	1
R134a/R513A	13	17	2	1

KP17WB



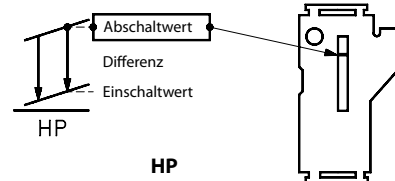
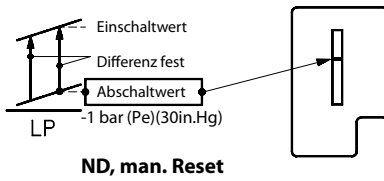
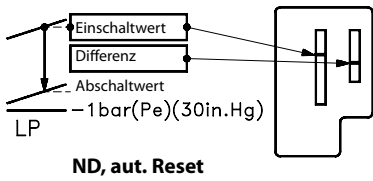
Gelistete Kühlstellenregler
61B5

Kontakte	Spannung		FL	LR	Ohm'sche Last	Pilotanwendung
	AC	DC	A	A		
A-B	240		8	48	8A	3A
A-C	120		16	96	16A	12W
A-D	240					50VA

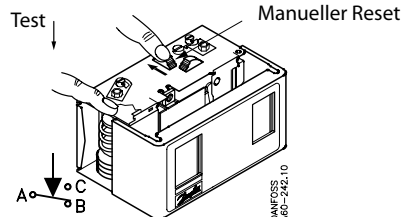
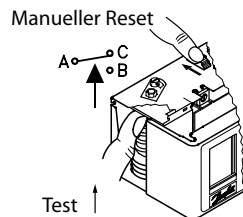
Nur Kupferdraht verwenden
Anzugsdrehmoment 2,2597 Nm.

Bei Verwendung gemäß UL-Vorschriften

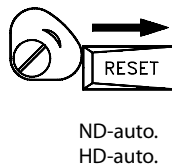
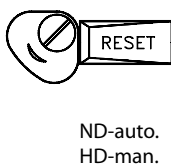
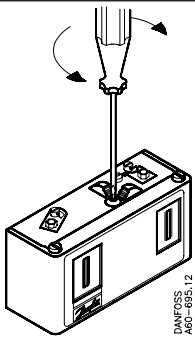
LR 112A	AC1 10A	400 V	DC 11
	AC3 10A		12 W
	AC11 10A		220 V



Manueller Test



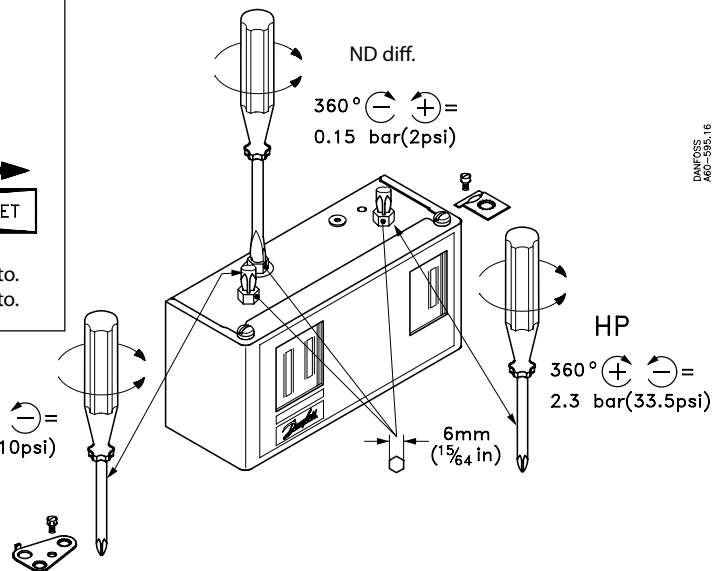
Umstellbarer Reset
KP 17B 060-539366, 060-539466



LP
360° ⊕ ⊖ =
0.7 bar (10psi)

ND diff.
360° ⊖ ⊕ =
0.15 bar (2psi)

HP
360° ⊕ ⊖ =
2.3 bar (33.5psi)



Instructions

Optyma™ Slim Pack

OP-LSQM / LSHM / MSXM / MSHM /
MSGM / MSYM / MSBM

Plaque signalétique

A	OP-MSXM068MLW05E		 MADE IN INDIA
B	114X7068		
C	Application	MBP	IP 54
D	Refrigerant	(1) R404A R507 R448A/R449A R407A/R407F/R452A	(2) R134a R513A
E	M.W.P. HP	(1) 28 bar	(2) 23 bar
	M.W.P. LP	(1) 7 bar	(2) 5 bar
F	Voltage	230 V ~ 1N ~ 50Hz	Max Ref Qty 5.4 kg
	LRA	60 A	MCC 19 A
	OIL INSIDE	POE 46	RLA 8.3 A
			PS _{HP} 28 bar
G	Serial No.	064119CG1517	
	EAN No.	XXXXXXXXXXXXXXX	

Danfoss Ltd., 22 Wycombe End, HP9 1NB, GB
Информация: ТОВ «Данфосс ТОВ» 04080, Катіа 80, н/с 168, Україна
Danfoss A/S, 6430 Nordborg, Denmark

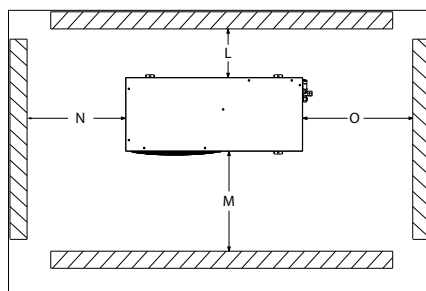


Illustration 1 : Distances de montage minimum

L (mm)	M [mm]	N [mm]	O [mm]
250	650	550	550

⚠ L'installation et l'entretien des groupes de condensation doivent être effectués uniquement par du personnel qualifié. Respectez ces instructions et de bonnes pratiques d'ingénierie de la réfrigération pour l'installation, la mise en service, la maintenance et l'entretien.

⚠ Le groupe de condensation doit être utilisé uniquement dans le ou les buts pour lesquels il a été conçu et en respectant sa plage d'utilisation.

⚠ En toutes circonstances, la directive EN378 (ou une autre réglementation de sécurité locale applicable) doit être respectée.

Le groupe de condensation est livré à une pression d'azote de 1 bar et ne doit donc pas être raccordé en l'état ; reportez-vous à la section « installation » pour plus de détails.

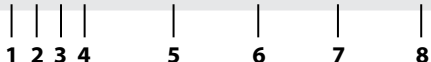
Le groupe de condensation doit être manipulé avec précaution et en position verticale (inclinaison maximale : 15°)

* Pour connaître les valeurs exactes, reportez-vous à la plaque signalétique de l'unité

- A : Modèle
- B : Référence - Code
- C : Application, Protection
- D : Réfrigérant
- E : Pression de service (Pression de service maximale)
- F : Tension d'alimentation, Intensité en rotor bloqué, Courant continu maximum
- G : N° de série et code EAN

Système de désignation pour la gamme Optyma™ Slim Pack

OP - MSXM 034 ML W05 G

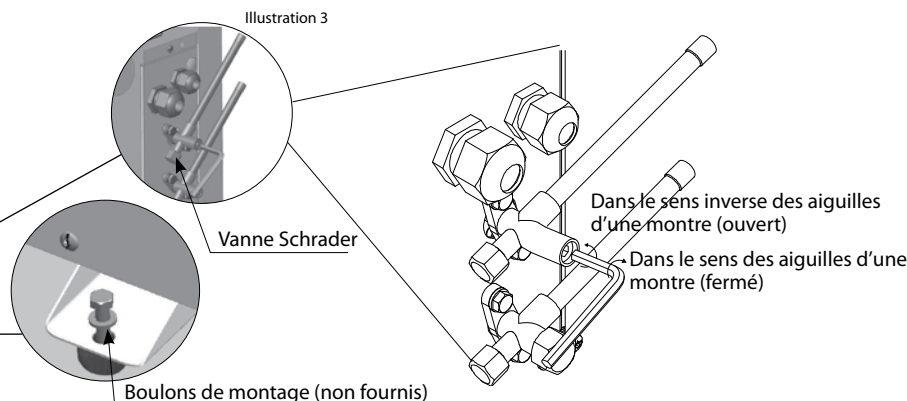
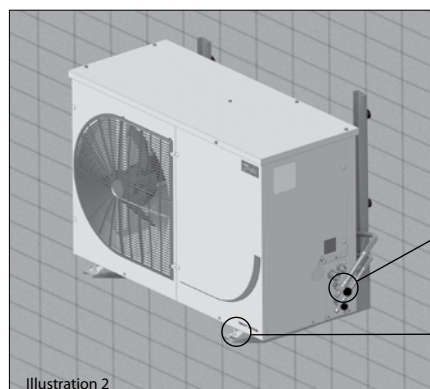


1	Application M = MBP L = LBP
2	Ensemble Gamme de groupe de condensation : S = Slim Pack
3	Réfrigérant H = R404A/R507 ; G = R134a, R513A ; Q = R452A, R404A/R507 X = R404A/R507, R134a, R407A, R407F, R448A, R513A, R449A, R452A ; Y = R404A/R507, R448A, R449A ; B = R404A/R507, R449A, R452A ; P = R448A/R449A, R407A/F, R404A/R507, O = R452A, R404A/R507, R448A, R449A
4	Condenseur M = Condenseur de chaleur à microcanaux
5	Volume balayé Déplacement en cm ³ : Exemple 034 = 34 cm ³
6	Plateforme de compresseur MLZ, LLZ = Compresseur scroll MTZ et NTZ = Compresseur à piston
7	Version W05/W09: Optyma™ Slim Pack
8	Code de tension G = compresseur 1-phasé/230 V et ventilateur monophasé/230 V E = compresseur 3-phasé/400 V et ventilateur monophasé/230 V

Contrôle de version

Optyma™ Slim Pack	W05	W09
Niveau IP	IP54	
Technologie du compresseur	Scroll/À piston	
Boîtier de commande (panneau électrique précâblé)	oui	
Condenseur à microcanaux	oui	
Variateur de vitesse du ventilateur	-	oui
Sectionneur principal (coupe-circuit)	-	oui
Filtre déshydrateur (raccords flare)	oui	
Voyant liquide	oui	
Résistance de carter	oui	
Pressostat ajustable HP/BP	Mode de réarmement Auto/manuel	
Thermostat du gaz de refoulement (fourniture)	oui*	
Alarme HP/BP (fourniture)	oui*	

Instructions



1 – Introduction

Ces instructions concernent les groupes de condensation Optyma™ Slim Pack OP-LSHM/MSHM/MSGM/LSQM/MSXM/MSYM/MSBM (R448A, R449A, R452A, R407A, R407F, R507, R404A, R134a, R513A) utilisés pour les systèmes de réfrigération. Elles fournissent les informations nécessaires pour la sécurité et l'utilisation appropriée de ce produit.

Le groupe de condensation comprend les éléments suivants :

- Compresseur piston/scroll
- Échangeur de chaleur à microcanaux
- Pressostats haute/basse pression
- Vannes de service, aspiration/liquide
- Capot résistant aux intempéries (IP 54)
- Filtre déshydrateur
- Résistance de carter pour le compresseur
- Réservoir avec vanne d'arrêt
- Voyant liquide
- Contacteur de phase (compresseurs scroll)
- Panneau électrique entièrement pré-câblé (y compris sectionneur principal, contacteur de compresseur, relais de surcharge)
- Variateur de vitesse du ventilateur et Interrupteur Général externe (W09 uniquement)

2 – Manipulation et stockage

- Il est recommandé de ne pas ouvrir l'emballage avant d'avoir positionné le groupe à son emplacement d'installation.
- Manipulez le groupe avec soin. L'emballage permet l'utilisation d'un chariot élévateur ou d'un transpalette. Utilisez un équipement de levage approprié et sûr.
- Stockez et transportez le groupe en position verticale.
- Stockez le groupe à une température comprise entre -35 °C et 50 °C.
- N'exposez pas l'emballage à la pluie ou à une atmosphère corrosive.
- Après le déballage, vérifiez que le groupe est complet et qu'il n'est pas endommagé.

3 – Précautions d'installation

- ⚠ Ne pas braser tant que le groupe de condensation est sous pression.
- ⚠ Ne placez jamais le groupe dans une atmosphère inflammable.
- ⚠ Placez le groupe de manière à ne pas bloquer ou gêner le passage, les portes, les accès, etc.
- Assurez-vous de laisser un espace adéquat autour du groupe, afin de permettre la circulation de l'air et l'ouverture des portes. Référez-vous à l'illustration 1 pour obtenir les distances minimales à respecter entre le groupe et les murs.
- Évitez d'installer le groupe à un emplacement exposé quotidiennement au rayonnement direct du soleil pendant de longues périodes.
- Évitez d'installer le groupe dans un environne-

ment agressif et poussiéreux.

- Assurez-vous de disposer d'une fondation horizontale (inclinaison inférieure à 3°), suffisamment stable et résistante pour pouvoir supporter l'intégralité du poids du groupe et éliminer les vibrations et les interférences.
- La température ambiante d'utilisation du groupe ne doit pas dépasser 50 °C lors du cycle d'arrêt.
- Assurez-vous que l'alimentation électrique correspond aux caractéristiques du groupe (voir la plaque signalétique).
- Lors de l'installation de groupes pour réfrigérants HFC ou HFO, utilisez l'équipement spécialement réservé aux réfrigérants HFC ou HFO n'ayant jamais été utilisé pour des réfrigérants CFC ou HCFC.
- Utilisez des tubes en cuivre pour réfrigération, propres et déshydratés, et un matériau de brasure présentant un pourcentage d'argent.
- Utilisez des composants de système propres et déshydratés.
- La tuyauterie d'aspiration raccordée au compresseur doit être flexible dans les 3 dimensions, afin d'amortir les vibrations. En outre, la tuyauterie doit être installée de manière à assurer le retour d'huile du compresseur et à éviter tout risque d'accumulation de liquide dans le compresseur.

4 – Installation

- L'installation dans laquelle le groupe de condensation est installé doit être conforme à la directive EEC relative aux systèmes sous pression n° 97/23/EC. Le groupe de condensation en lui-même ne constitue pas un « groupe » au sens de cette directive.
- Le groupe doit être installé sur un support stable et rigide et fixé dès le départ. Voir illustration 2.
- **Il est recommandé d'installer le groupe sur des silent blocs ou des amortisseurs de vibrations (non fournis).**
- Libérez lentement la charge d'azote d'attente, par l'orifice schrader.
- Raccordez le groupe au système dès que possible, pour éviter toute contamination de l'huile par l'humidité ambiante.
- Évitez toute entrée de matériau dans le système lors de la coupe des tubes. Ne percez jamais de trous à des emplacements où les copeaux ne peuvent être éliminés.
- Brasez très soigneusement, en utilisant les techniques les plus récentes et pointues, et dégazez les tuyauteries au moyen d'un flux d'azote.
- Raccordez les dispositifs de sécurité et de contrôle requis. En cas d'utilisation de l'orifice schrader à cet effet, retirez la valve interne.
- Il est recommandé d'isoler le tube d'aspiration

jusqu'à l'entrée du compresseur avec une isolation de 19 mm d'épaisseur.

5 – Détection de fuites

- ⚠ N'utilisez jamais d'oxygène ou d'air sec pour mettre le circuit sous pression. Vous pourriez causer un incendie ou une explosion.
 - N'utilisez pas de traceur pour la détection de fuites.
 - Effectuez un test de détection de fuites sur le système complet.
 - La pression de test maximum est de 31^{*)} bar.
 - Si vous détectez une fuite, réparez-la et répétez la détection de fuites.
- ^{*) 25 bar pour les modèles OP-.....AJ.... & OP-.....FH....}

6 – Déshydratation sous vide

- N'utilisez jamais le compresseur pour faire le vide dans le système.
- Raccordez une pompe à vide aux côtés BP et HP.
- Faites le vide dans le système, à une pression absolue de 500 µm Hg (0,67 mbar).
- N'utilisez pas de mégohmmètre et ne mettez pas le compresseur sous tension lorsqu'il se trouve sous vide, car cela peut entraîner des dommages internes.

7 – Raccordements électriques

- Coupez et isolez l'alimentation électrique secteur.
- Assurez-vous qu'il est impossible de mettre l'alimentation sous tension lors de l'installation.
- Tous les composants électriques doivent être sélectionnés conformément aux normes locales et aux exigences du groupe.
- Référez-vous au schéma de raccordement électrique pour plus de détails.
- Assurez-vous que l'alimentation électrique correspond aux caractéristiques du groupe et qu'elle est stable (tension nominale ± 10 % et fréquence nominale ± 2,5 Hz)
- Dimensionnez les câbles de l'alimentation conformément aux données du groupe relatives à la tension et au courant.
- Protégez l'alimentation et assurez-vous de sa bonne mise à la terre.
- Assurez-vous que l'alimentation est conforme aux normes locales et aux exigences légales.
- L'unité est équipée de contacts haute et basse pression, qui coupent directement l'alimentation électrique du compresseur et envoient des signaux d'alarme de 230 V CA (max. 50 VA) en cas d'activation. Les paramètres des coupures basse pression et haute pression doivent être définis par l'installateur en tenant compte du modèle de compresseur, du fluide frigorigène et de l'application. Les groupes munis de compresseurs Danfoss MLZ et LLZ sont aussi équipés d'un contacteur de phase pour protéger le

Instructions

groupe contre la perte, les défauts d'ordre et l'asymétrie des phases ainsi que la sous-tension ou la surtension. Pour les groupes équipés d'un compresseur Scroll triphasé, il est impératif de respecter l'ordre des phases adéquat pour le sens de rotation du compresseur.

- Déterminez l'ordre des phases à l'aide d'un phasemètre, afin d'établir l'ordre des phases des lignes L1, L2 et L3.
- Raccordez les phases des lignes L1, L2 et L3 aux bornes de l'interrupteur principal T1, T2 et T3 respectivement.

8 – Sécurité

Le bouchon fusible n'est pas disponible sur l'unité, il est remplacé par le bouchon adaptateur.

L'unité est dotée d'un réservoir de liquide avec un bouchon adaptateur comportant un raccord 3/8" NPT. L'installateur/utilisateur final peut choisir différentes options comme indiqué dans la norme EN378-2 : 2016 Article § 6.2.2.3

- L'unité/installation dans laquelle le groupe de condensation est monté/intégré doit être conforme à la directive PED.
- Attention aux composants extrêmement froids et chauds.
- Attention aux composants mobiles. L'alimentation électrique doit être déconnectée pendant l'entretien.

9 – Remplissage du système

- Portez des équipements de protection tels que des gants et des lunettes de protection.
- Ne démarrez jamais le compresseur lorsqu'il se trouve sous vide. Maintenez le compresseur hors tension.
- Avant la charge de réfrigérant, vérifiez que le niveau d'huile se situe entre $\frac{1}{4}$ et $\frac{3}{4}$ du voyant liquide d'huile du compresseur. Si un supplément d'huile est nécessaire, consultez l'étiquette du compresseur pour connaître le type d'huile.
- Utilisez uniquement un réfrigérant pour lequel le groupe est conçu.
- Chargez le réfrigérant en phase liquide dans le condenseur ou le réservoir de liquide. Laissez le système se charger lentement jusqu'à 4 à 5 bars pour le réfrigérant R404A/R507A/R407A/R407F/R448A/R449A ou R452A et jusqu'à environ 2 bars pour le réfrigérant R134a/R513A.
- Ne chargez pas de réfrigérant liquide par la conduite d'aspiration.
- L'huile et/ou le réfrigérant ne doivent pas être mélangés à des additifs.
- La charge restante est effectuée une fois que l'installation a atteint des conditions de fonctionnement nominales stables.
- Ne laissez jamais le cylindre de remplissage raccordé au circuit.

10 – Vérification avant mise en service

⚠ Utilisez des dispositifs tels que des pressostats de sécurité et des soupapes de sécurité mécaniques, conformément aux normes de sécurité et aux réglementations générales et locales applicables. Veillez au bon fonctionnement et au réglage correct de ces dispositifs.

⚠ Vérifiez que les réglages des pressostats haute pression et des soupapes de sécurité ne dépassent pas la pression de service maximale de chaque composant du système.

- Vérifiez que tous les raccords électriques sont bien serrés et respectent les réglementations locales.
- Lorsqu'il est nécessaire d'utiliser une résistance carter, celle-ci doit être mise sous tension au moins 12 heures avant le démarrage initial et avant un démarrage suivant une période de

mise à l'arrêt prolongée.

11 – Démarrage

- Ne démarrez jamais le groupe si le réfrigérant n'est pas chargé.
- Toutes les vannes de service doivent être ouvertes. Voir l'illustration 3.
- Assurez-vous que l'alimentation est compatible avec le groupe.
- Assurez-vous que la résistance de carter fonctionne.
- Assurez-vous que le ventilateur tourne librement.
- Assurez-vous que la protection a été retirée de l'arrière du condenseur.
- Équilibrez les pressions HP/BP.
- Alimentez le groupe. Celui-ci doit démarrer rapidement. S'il ne démarre pas, vérifiez la conformité des câblages, la tension aux bornes et l'ordre des phases.
- Il est possible de déterminer si le sens de rotation d'un compresseur triphasé est inversé. Si c'est le cas, les phénomènes suivants sont observés : le groupe ne démarre pas, la pression du compresseur n'augmente pas, le compresseur génère un niveau de bruit anormalement élevé et sa consommation électrique est anormalement basse. Dans ce cas, arrêtez immédiatement le groupe et raccordez les phases aux bornes appropriées.
- Si le sens de rotation est correct, l'indicateur basse pression du manomètre basse pression doit indiquer une baisse de la pression et l'indicateur haute pression du manomètre haute pression doit indiquer une augmentation de la pression.

12 – Vérifications en cours de fonctionnement

- Vérifier le sens de rotation du ventilateur. L'air doit circuler depuis le condenseur vers le ventilateur.
- Vérifiez l'intensité et la tension.
- Vérifiez la surchauffe à l'aspiration pour réduire le risque de liquide.
- Si un témoin de niveau d'huile est présent, vérifiez le niveau d'huile au démarrage et pendant le fonctionnement, afin de vous assurer que le niveau d'huile reste bien visible.
- Respectez les limites de fonctionnement.
- Vérifiez l'absence de vibrations anormales au niveau de tous les tubes. En cas de mouvements dépassant 1,5 mm, vous devez prendre des mesures correctives telles que la mise en place de supports de tubes.
- Si nécessaire, vous pouvez rajouter du réfrigérant en phase liquide, côté basse pression, aussi loin que possible du compresseur. Le compresseur doit fonctionner pendant cette opération.
- Ne surchargez pas le système.
- Se conformer aux règlements locaux pour la restauration du réfrigérant de l'unité.
- Ne libérez jamais de réfrigérant dans l'atmosphère.
- Avant de quitter le site d'installation, effectuez une inspection générale de l'installation en termes de propreté, de niveau sonore et de détection des fuites.
- Notez le type et la quantité de charge de réfrigérant, ainsi que les conditions de fonctionnement, comme référence pour les inspections ultérieures.

13 – Maintenance

⚠ Arrêtez toujours le groupe à l'aide de l'interrupteur principal avant de retirer le panneau du ventilateur.

⚠ La pression interne et la température de surface sont dangereuses et peuvent causer des blessures

irréversibles.

Les opérateurs chargés de la maintenance et les installateurs doivent posséder les compétences et les outils appropriés. La température de la tuyauterie peut dépasser 100 °C et causer des brûlures graves.

⚠ Veillez à effectuer les inspections de service périodiques, tant pour assurer la fiabilité du système que pour respecter les réglementations locales.

Pour éviter tout problème lié au système, la maintenance périodique suivante est recommandée :

- Vérifiez que les dispositifs de sécurité fonctionnent et sont bien réglés.
- Vérifiez que le système ne présente aucune fuite.
- Vérifiez l'intensité du compresseur.
- Confirmez que le système fonctionne conformément aux archives de maintenance antérieure et aux conditions ambiantes.
- Vérifiez que tous les raccords électriques restent bien serrés.
- Préservez la propreté du groupe et vérifiez l'absence de rouille et d'oxydation sur les composants du groupe, les tubes et les raccords électriques.

Le condenseur doit faire l'objet d'au moins une vérification de l'encrassement par an et doit être nettoyé si cela s'avère nécessaire. L'accès à la face interne du condenseur se fait par le panneau du ventilateur. La poussière a tendance à se déposer en surface et non à l'intérieur des échangeurs microcanaux, ce qui rend ces derniers plus faciles à nettoyer que les échangeurs à tubes ailettes.

- Arrêtez le groupe à l'aide de l'interrupteur principal avant de retirer tout panneau du groupe.
- Retirez la poussière, les feuilles, les fibres, etc. qui se trouvent en surface à l'aide d'un aspirateur équipé d'une brosse ou de tout autre embout souple. Vous pouvez également souffler de l'air comprimé depuis l'intérieur de l'échangeur et évacuer la saleté à l'aide d'une brosse à poils souples. N'utilisez pas de brosse métallique. Veillez à ne pas endommager ou rayer l'échangeur avec le tube de l'aspirateur ou l'embout du compresseur à air.

Si le circuit de réfrigération a été ouvert, il doit être nettoyé à l'azote sec afin d'éliminer toute trace d'humidité. En outre, un nouveau filtre déshydrateur doit être installé. S'il s'avère nécessaire d'évacuer le réfrigérant, il ne doit en aucun cas être libéré dans l'environnement.

Procédure de démontage de la carrosserie. (W09 Version)



Étape 1: déconnectez l'alimentation électrique. Assurez-vous que le sectionneur principal est en position arrêté avant de procéder à l'entretien.

Instructions



Étape 2: Retirez toutes les vis du panneau supérieur, puis le panneau supérieur.



Étape 3: Retirez toutes les vis du panneau latéral.



Étape 4: Déposez le panneau latéral parallèle au sectionneur principal.

14 – Déclaration d'incorporation

• **Directive relative aux équipements sous pression 2014/68/UE EN 378-2:2016** - Systèmes de réfrigération et pompes à chaleur - Exigences de sécurité et environnementales- Partie 2 : conception, construction, test, marquage et documentation

Directive basse tension 2014/35/UE EN 60335-1:2012 + A11:2014 - Appareils électrodomestiques et analogues - Sécurité - Partie 1 : Exigences générales - pour tous les groupes de condensation mentionnés ci-dessus

DIRECTIVE écoconception 2009/125/CE établissant un cadre d'exigences en matière d'écoconception applicables aux produits liés à l'énergie. RÈGLEMENT (UE) 2015/1095 portant application de la directive écoconception 2009/125/CE en ce qui concerne les exigences d'écoconception applicables aux armoires frigorifiques professionnelles, aux cellules de refroidissement et de congélation rapides, aux groupes de condensation et aux refroidisseurs industriels.

• Les mesures des groupes de condensation

sont effectuées conformément à la norme « EN 13771-2:2007 » – Compresseurs et unités de condensation pour la réfrigération - Tests de performances et méthodes d'essai - Partie 2 : Groupes de condensation

15 - Garantie

En cas de réclamation relative au produit, signalez toujours la référence du modèle et le numéro de série.

La garantie du produit peut être annulée dans les cas suivants :


- Absence de plaque signalétique.
- Modifications externes, en particulier perçage, soudage, impacts et pieds endommagés.
- Compresseur ouvert ou retourné non scellé.
- Présence de rouille, d'eau ou de traceur de détection de fuites à l'intérieur du compresseur.
- Utilisation d'un réfrigérant ou d'un lubrifiant non approuvé par Danfoss.
- Tout non-respect des instructions recommandées relatives à l'installation, l'utilisation ou la maintenance.
- Utilisation mobile.
- Utilisation sous atmosphère explosive.
- Référence du modèle ou de série non fourni avec la demande en garantie.

16 – Mise au rebut



Danfoss recommande que les groupes de condensation et leur huile soient recyclés par une société appropriée, sur le site de celle-ci.

17 - Réglage du variateur de vitesse du ventilateur pour le fluide frigorigène R134a/R513A

Type FSC	Variateur de vitesse Numéro de pièce détachée	Lettre réfrigérant	Pour réfrigérant	Réglage usine	Action nécessaire
 XGE-2C	061H3248	G	R134a/R513A	8 bar	«360° = 1 tour = environ 0.8bar (Visser : augmentation de la pression de réglage, dévisser: diminution de la pression de réglage)
		Q	R404A/R452A/R507	15 bar	
		H	R404A/R507	15 bar	
		X	R404A/R507/R134a/R513A/ R407A/ R407F/R448A/R449A/R452A	15 bar	
		Y	R404A/R507/R449A	15 bar	
		B	R404A/R507/R448A/R449A/R452A	15 bar	
	X	Si le R134a est utilisé	15 bar	Dévisser de 9 tours la vis de réglage pour atteindre 8 bar	

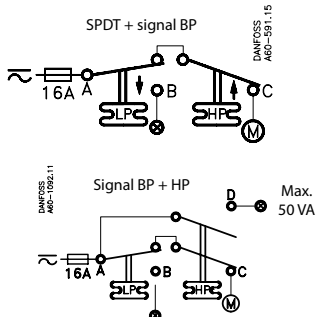
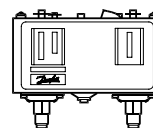
* L'installateur peut établir le réglage requis en fonction de l'application.

18 - Réglages d'usine de pressostat double

Réfrigérants	Paramètres de haute pression (bar (g))		Paramètres de basse pression (bar (g))	
	MARCHE	ARRÊT	MARCHE	ARRÊT
R404A/R507/R407A/R407F/R448A/R449A/R452A	23	27	2	1
R134a/R513A	13	17	2	1

Instructions

KP17WB



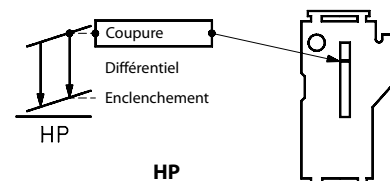
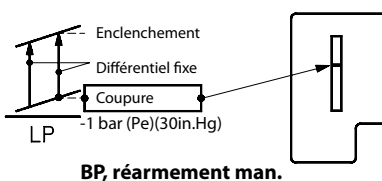
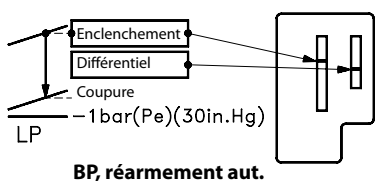
Régulateur d'évaporateur répertorié 61B5

Contacts	Tension		FL A	LR A	Charge de résistance	Régime de fonctionnement asservi
	CA	CC				
A-B	240		8	48	8A	3A
A-C	120		16	96	16A	
A-D	240					12W
						50VA

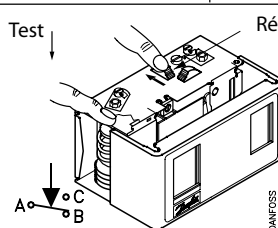
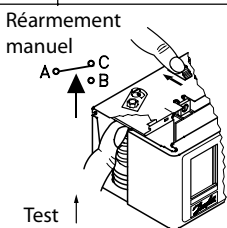
Utiliser uniquement le fil en cuivre
Couple de serrage de 2,25 Nm

Pour une utilisation conforme aux réglementations UL

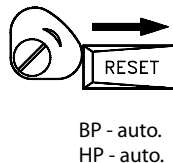
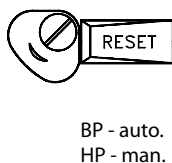
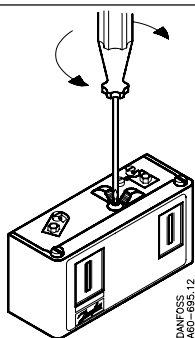
LR 112A	AC1 10A	400 V	DC 11
	AC3 10A		12 W
	AC11 10A		220 V



Test manuel

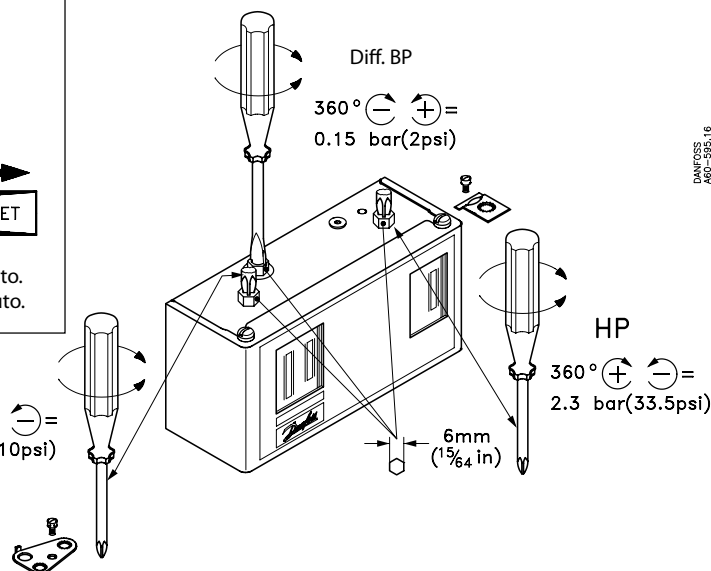


Réarmement convertible
KP 17B 060-539366, 060-539466



LP
360° ⊕ ⊖ =
0.7 bar (10psi)

Diff. BP
360° ⊖ ⊕ =
0.15 bar (2psi)



Instrucciones

Optyma™ Slim Pack

OP-LSQM / LSHM / MSXM / MSHM

MSGM / MSYM / MSBM

Placa de identificación

A	OP-MSXM068MLW05E	
B	114X7068	
C	Application MBP	IP 54
D	Refrigerant (1) R404A R507 R448A/R449A R407A/R407F/R452A	(2) R134a R513A
E	M.W.P. HP (1) 28 bar	(2) 23 bar
F	M.W.P. LP (1) 7 bar	(2) 5 bar
F	Voltage 230 V ~ 1N ~ 50Hz	Max Ref Qty 5.4 kg
	LRA 60 A	MCC 19 A
	OIL INSIDE POE 46	RLA 8.3 A
		PS _{HP} 28 bar
G	Serial No. 064119CG1517	
	EAN No. xxxxxxxxxx	

Danfoss Ltd., 22Wyncombe End, HP9 1NB, GB
danfoss TOB s.r.l. "Danfoss TOB" 04080, Km6 B0, n.c. 166, Ypsala
Danfoss A/S, 6430 Nordborg, Denmark

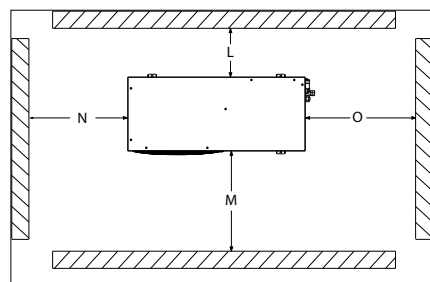


Ilustración 1: Distancias de montaje mínimas

L [mm]	M [mm]	N [mm]	O [mm]
250	650	550	550

⚠ La instalación y el mantenimiento de la unidad condensadora deben ser llevados a cabo exclusivamente por personal cualificado. Siga estas instrucciones y las prácticas recomendadas en materia de ingeniería de refrigeración durante las actividades de instalación, puesta en servicio, mantenimiento y servicio técnico.

⚠ El uso de la unidad condensadora sólo debe llevarse a cabo para los fines para los que ha sido diseñada y dentro de su campo de aplicación.

⚠ En cualquier circunstancia, han de cumplirse los requisitos establecidos por la norma EN 378 (o cualquier otro reglamento local vigente en materia de seguridad).

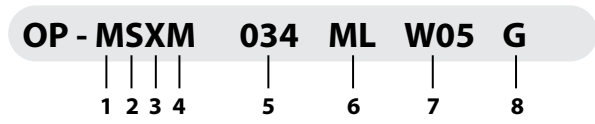
Esta unidad condensadora se suministra con gas nitrógeno a presión (1 bar) y, por lo tanto, no puede conectarse tal cual; consulte la sección "Instalación" para obtener más información.

Manipule la unidad condensadora con precaución y en posición vertical (desviación máxima respecto a la vertical: 15°).

* Para obtener los valores exactos, consulte la placa de características de la unidad

- A: Modelo.
- B: Código.
- C: Aplicación e índice de protección.
- D: Refrigerante.
- E: Presión de servicio de la carcasa. (Presión de trabajo máxima)
- F: Tensión de alimentación, intensidad a rotor bloqueado (LRA) y Intensidad de corriente cont. máx. (MCC).
- G: Número de serie y código de barras.

Nomenclatura de la gama Optyma™ Slim Pack



1	Aplicación M = MBP L = LBP
2	Paquete Familia de unidades condensadoras: S = Slim Pack
3	Refrigerante H = R404A/R507 ; G = R134a, R513A ; Q = R452A, R404A/R507 X = R404A/R507, R134a, R407A, R407F, R448A, R513A, R449A, R452A ; Y = R404A/R507, R448A, R449A; B = R404A/R507, R449A, R452A; P = R448A/R449A, R407A/F, R404A/R507, O = R452A, R404A/R507, R448A, R449A
4	Condensador M = Condensador térmico de microcanales
5	Volumen desplazado Desplazamiento en cm ³ : Ejemplo 034 = 34 cm ³
6	Plataforma de compresores MLZ, LLZ = Compresor scroll MTZ & NTZ = Compresor alternativo
7	Versión W05/W09: Optyma™ Slim Pack
8	Código de tensión G = Compresor de 230 V/1-fásico y ventilador de 230 V/monofásico E = Compresor de 400 V/3-fásico y ventilador de 230 V/monofásico

Control de versión

Optyma™ Slim Pack	W05	W09
Nivel IP	IP54	
Tecnología del compresor	Scroll/Alternativo	
Caja de control (panel eléctrico precableado)	sí	
Condensador de microcanales	sí	
Controlador de velocidad para ventilador	-	sí
Interruptor principal (disyuntor)	-	sí
Secador del filtro (conexiones roscadas)	sí	
Visor de líquido	sí	
Resistencia de cárter	sí	
Presostato ajustable de AP/BP	Auto/Modo de rearme manual	
Termostato de gas de descarga (suministro)	sí*	
Alarma de AP/BP (suministro)	sí*	

Instrucciones

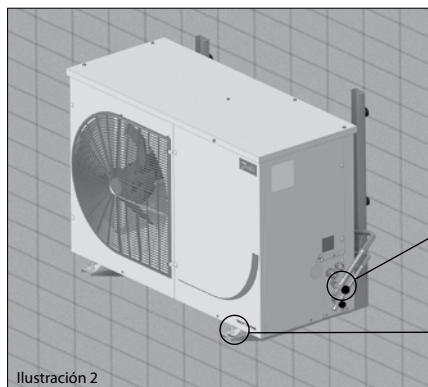


Ilustración 2

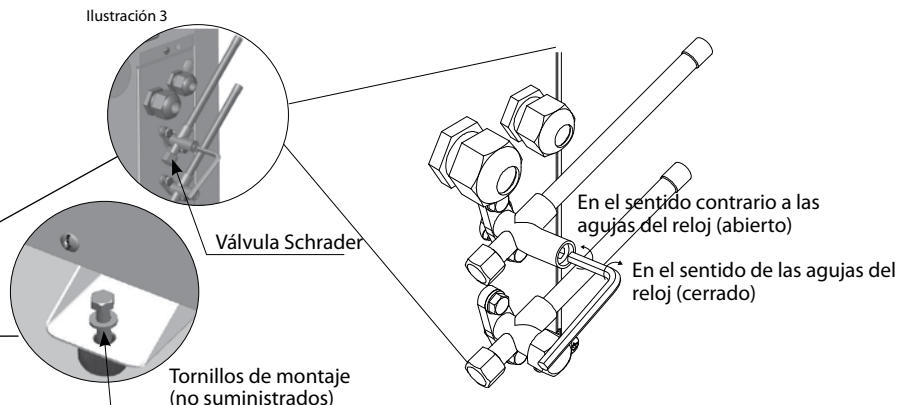


Ilustración 3

Válvula Schrader

Tornillos de montaje
(no suministrados)

1 – Introducción

Estas instrucciones pertenecen a las unidades condensadoras Optyma™ Slim Pack OP-LSHM/MSHM/MSGM/LSQM/MSXM/MSYM/MSBM (para refrigerantes R448A, R449A, R452A, R407A, R407F, R507A, R404A, R134a y R513A), diseñadas para sistemas de refrigeración. Incluyen la información necesaria para garantizar la seguridad y el uso correcto del producto.

Estas unidades condensadoras incluyen los siguientes componentes:

- Compresor scroll/alternativo.
- Intercambiador de calor de microcanales.
- Presostatos dobles.
- Válvulas de servicio (líneas de aspiración y líquido).
- Carcasa hermética (IP 54).
- Filtro secador.
- Resistencia de cárter para el compresor.
- Recipiente con válvula de cierre.
- Visor de líquido.
- Relé de secuencia de fases (compresor scroll).
- Panel eléctrico totalmente precableado (incluye interruptor principal, contactor para compresor y relé de sobrecarga).
- Controlador de velocidad para ventilador e interruptor principal externo (solo W09)

2 – Manipulación y almacenamiento

- Se recomienda no abrir el embalaje hasta que la unidad se encuentre en el lugar en el que se vaya a proceder a su instalación.
- Manipule la unidad con cuidado. El embalaje admite el uso de una carretilla elevadora o una transpaleta para su manipulación. Use siempre equipos de elevación adecuados y seguros.
- Almacene y transporte la unidad en posición vertical.
- Almacene la unidad a temperaturas comprendidas entre -35 °C y 50 °C.
- No exponga el embalaje a la lluvia o a atmósferas de carácter corrosivo.
- Tras desembalar la unidad, compruebe que no falte ningún componente y que no presente daños.

3 – Medidas a adoptar de cara a la instalación

⚠ No realice ningún tipo de soldadura mientras la unidad condensadora se encuentre presurizada.

⚠ No coloque nunca la unidad en una atmósfera de carácter inflamable.

⚠ Coloque la unidad de forma que no obstruya u obstaculice vías de paso, puertas, ventanas u otros elementos similares.

- Asegúrese de que exista espacio suficiente alrededor de la unidad para permitir la circulación del aire y la apertura de las puertas. Consulte la ilustración 1 para conocer las distancias mínimas con respecto a las paredes.

• No instale la unidad en ubicaciones en las que se vea expuesta a la luz solar directa a diario durante períodos prolongados.

• No instale la unidad en atmósferas de carácter agresivo o polvoriento.

• Disponga una superficie de cimentación horizontal (con una pendiente inferior a 3°), robusta y estable que sirva para soportar el peso del conjunto de la unidad y eliminar las vibraciones e interferencias.

• La temperatura ambiente de la unidad no debe superar los 50 °C durante el ciclo de apagado.

• Asegúrese de que la fuente de alimentación sea compatible con los requisitos de la unidad (consulte la placa de características).

• La instalación de unidades destinadas al uso con refrigerantes HFC o HFO requiere del empleo de equipos diseñados específicamente para tales refrigerantes y que no hayan permanecido en contacto con refrigerantes CFC o HCFC.

• Use tubos de cobre para refrigeración limpios y deshidratados y aleaciones de plata como material de soldadura.

• Use componentes de sistema limpios y deshidratados.

• La tubería de aspiración conectada al compresor debe ser flexible en las 3 dimensiones para amortiguar las vibraciones. Además, la tubería debe disponerse de tal forma que el retorno de aceite hacia el compresor esté garantizado y que el riesgo de que se produzcan golpes de líquido en el compresor se elimine.

4 – Instalación

• La instalación en la que se coloque la unidad condensadora debe cumplir los requisitos de la Directiva 97/23/CE de equipos a presión (DEP). En sí, la unidad condensadora no tiene la consideración de "unidad" en el campo de aplicación de dicha directiva.

• La unidad se debe instalar de forma segura en un soporte estable y rígido al que se deberá fijar desde un principio. Consulte la ilustración 2.

• **Se recomienda instalar la unidad sobre arandelas de caucho o elementos que amortigüen las vibraciones (no se incluyen entre los componentes suministrados).**

• Libere paulatinamente la carga de nitrógeno a través del puerto Schraeder.

• Conecte la unidad al sistema lo antes posible para evitar que el aceite sufra contaminación como resultado de la humedad ambiental.

• Evite que penetren materiales extraños en el sistema durante el corte de los tubos. No practique orificios en lugares en los que no sea posible eliminar las rebabas.

• Lleve a cabo las soldaduras con cuidado, empleando técnicas modernas; purgue los conductos haciendo circular gas nitrógeno.

• Conecte los dispositivos de seguridad y control necesarios. Retire la válvula interna cuando use el puerto Schraeder a este efecto.

• Se recomienda aislar la tubería de aspiración hasta la entrada del compresor empleando material aislante con un espesor de 19 mm.

5 – Detección de fugas

⚠ No presurice el circuito con oxígeno o aire seco. Esto podría dar lugar a incendios o explosiones.

• No use tintes para la detección de fugas.

• Lleve a cabo una prueba de detección de fugas en todo el sistema.

• La presión de prueba máxima es de 31^{*)} bar.

• Si detecta una fuga, repárela y lleve a cabo una nueva prueba de detección de fugas.

^{*) 25 bar para modelos OP-.....AJ.... y OP-.....FH....}

6 – Deshidratación por vacío

• No use el compresor para vaciar el sistema.

• Conecte una bomba de vacío a los lados LP y HP.

• Vacíe el sistema a una presión absoluta de 500 μm Hg (0,67 mbar).

• No use un ohmímetro ni conecte la alimentación al compresor mientras este se encuentre sometido a vacío; ello podría causar daños internos.

7 – Conexiones eléctricas

• Apague el sistema y aisle la fuente de alimentación principal.

• Asegúrese de que la fuente de alimentación no pueda encenderse durante la instalación.

• La elección de los componentes eléctricos debe llevarse a cabo de acuerdo con las normas locales y los requisitos de la unidad.

• Consulte el esquema eléctrico para obtener más información sobre las conexiones eléctricas.

• Compruebe que la fuente de alimentación sea compatible con las características de la unidad y que ofrezca un suministro estable (tensión nominal ±10 % y frecuencia nominal ±2,5 Hz).

• Calcule las dimensiones de los cables de la fuente de alimentación en función de la tensión y la corriente de la unidad.

• Proteja la fuente de alimentación y asegúrese de que disponga de una conexión a tierra adecuada.

• Conecte la fuente de alimentación de acuerdo con las normas locales y los requisitos legales vigentes.

• La unidad está equipada con interruptores de alta y baja presión que interrumpen directamente la fuente de alimentación del compresor y emite señales de alarma de 230 V CA (máx. 50 VA) en caso de activación. Los parámetros de desconexión por alta y baja presión deben ser ajustados por el instalador considerando el modelo del compresor, el refrigerante y la aplicación. Las unidades con compresores MLZ y LLZ de Danfoss también

Instrucciones

están equipadas con relé de secuencia de fases como medida de protección contra la pérdida, el error de secuencia y la asimetría de fases, así como frente a efectos de subtensión y sobretensión.

En el caso de las unidades con compresor *scroll* trifásico, se deberá respetar la secuencia de fases correcta a fin de que el compresor gire en el sentido apropiado.

- Emplee un medidor de fases para establecer el orden de las fases de línea (L1, L2 y L3).
- Conecte las fases de línea L1, L2 y L3 a los terminales T1, T2 y T3 del interruptor principal, respectivamente.

8 – Seguridad

El tapón fusible no está disponible de forma individual; se sustituye junto con el conector adaptador.

La unidad cuenta con un colector de líquido con un conector adaptador con una conexión NPT de 3/8". El instalador / usuario final puede seleccionar diferentes opciones, tal como se menciona en la norma EN 378-2: 2016, artículo § 6.2.2.3.

- La unidad/instalación en la que está montada/integrada la unidad condensadora debe satisfacer los requisitos establecidos por la PED.
- Tenga cuidado con los componentes extremadamente calientes y fríos.
- Tenga cuidado con los componentes móviles. La fuente de alimentación se debe desconectar durante las tareas de reparación y mantenimiento.

9 – Llenado del sistema

- Utilice los equipos de protección oportunos, como gafas y guantes de seguridad.
- No ponga en marcha el compresor en condiciones de vacío. Mantenga el compresor apagado.
- Antes de cargar el refrigerante, compruebe que el nivel de aceite se encuentre entre las marcas "1/4" y "3/4" del visor de aceite del compresor. Si es necesario añadir aceite, consulte la etiqueta del compresor para conocer el tipo de aceite que debe emplearse.
- Utilice exclusivamente el refrigerante para el que se haya diseñado la unidad.
- Llene el condensador o el recipiente de líquido con refrigerante líquido. Asegúrese de que la carga del sistema tenga lugar paulatinamente hasta alcanzar una presión de 4-5 bar (en el caso de los refrigerantes R404A/R507A/R407A/R407F/R448A/R449A y R452A) o aprox. 2 bar (en el caso del refrigerante R134a/R513A).
- No introduzca refrigerante líquido a través de la línea de aspiración.
- Se prohíbe la mezcla de aditivos con el aceite y/o el refrigerante.
- La carga restante se efectuará hasta que la instalación alcance las condiciones de funcionamiento nominales y estas se mantengan estables.
- No deje la botella de carga conectada al circuito.

10 – Verificación previa a la puesta en servicio

⚠ Emplee dispositivos de seguridad (como presostatos de seguridad o válvulas mecánicas de alivio) que satisfagan los requisitos de las normas de ámbito general y local vigentes, así como las normas de seguridad aplicables. Asegúrese de que los dispositivos funcionen y su ajuste sea correcto.

⚠ Compruebe que los niveles de los presostatos de alta presión y las válvulas de alivio no superen la presión de servicio máxima de los componentes del sistema.

- Compruebe que todas las conexiones eléctricas se encuentren bien fijadas y cumplan las normas locales.
- Si es preciso el uso de una resistencia de cárter, esta deberá energizarse, al menos, 12 horas antes

de la puesta en marcha inicial y cualquier puesta en marcha que tenga lugar tras un periodo prolongado de inactividad.

11 – Arranque

- No arranque la unidad sin haber cargado antes el refrigerante.
- Todas las válvulas de servicio deben estar en posición de apertura. Consulte la ilustración 3.
- Compruebe que la unidad y la fuente de alimentación sean compatibles.
- Compruebe que la resistencia de cárter se encuentre en funcionamiento.
- Compruebe que el ventilador pueda girar libremente.
- Compruebe que se haya retirado la chapa de protección de la parte posterior del condensador.
- Equilibre las presiones de los lados HP y LP.
- Ponga en marcha la unidad. Debe arrancar de inmediato. Si el compresor no se pone en marcha, compruebe que los cables sean adecuados, así como la tensión en los terminales y la secuencia de fases.
- El giro en sentido inverso de un compresor *scroll* trifásico se puede detectar a través de los siguientes síntomas: la unidad está equipada con un relé de fase inversa y el compresor no se pone en marcha, no se acumula presión en el compresor, el nivel de ruido es anormalmente alto o el consumo de potencia es anormalmente bajo. Si detecta alguno de dichos síntomas, detenga la unidad de manera inmediata y conecte correctamente las fases a sus terminales correspondientes.
- Si la dirección de rotación es correcta, el manómetro de baja presión deberá indicar una disminución de la presión y el manómetro de alta presión deberá indicar un aumento de presión.

12 – Comprobaciones con la unidad en funcionamiento

- Compruebe el sentido de giro del ventilador. Debe circular aire desde el condensador hacia el ventilador.
- Compruebe el consumo de corriente y la tensión.
- Compruebe el recalentamiento en el lado de aspiración para reducir el riesgo de generación de golpes de líquido.
- Si la unidad incorpora un visor de líquido, controle el nivel de aceite durante la puesta en marcha y el funcionamiento para confirmar que permanece dentro del rango visible.
- Respete los límites de funcionamiento.
- Compruebe si los tubos sufren alguna vibración anormal. Los movimientos superiores a 1,5 mm exigirán la implantación de medidas correctoras (como la instalación de abrazaderas).
- Si es necesario, se puede agregar refrigerante líquido a través del lado de baja presión (tan lejos del compresor como sea posible). El compresor debe permanecer en funcionamiento durante este proceso.
- No sobrecargue el sistema.
- Siga las normativas locales para restaurar el refrigerante de la unidad.
- No libere refrigerante a la atmósfera.
- Antes de abandonar el lugar de instalación, lleve a cabo una inspección general de la misma en cuanto a limpieza, ruido y detección de fugas.
- Anote el tipo y la cantidad de refrigerante cargado, así como las condiciones de funcionamiento, como referencia para la ejecución de futuras inspecciones.

13 – Mantenimiento

⚠ Desconecte siempre la unidad utilizando el interruptor principal antes de desmontar el panel del ventilador.

⚠ Las presiones internas y las temperaturas superficiales de la unidad son peligrosas y pueden dar lugar a lesiones permanentes.

Los técnicos de mantenimiento y los instaladores deben disponer de la formación y las herramientas apropiadas. La temperatura de los tubos puede superar los 100 °C, como resultado de lo cual podrían producirse quemaduras de carácter grave.

⚠ Asegúrese de que se realicen las inspecciones de servicio periódicas necesarias para garantizar la fiabilidad del sistema, de acuerdo con lo dispuesto en la legislación local vigente.

Para evitar que se produzcan problemas en el sistema, se recomienda

llevar a cabo periódicamente las siguientes operaciones de mantenimiento:

- Comprobar que los dispositivos de seguridad funcionen y su ajuste sea correcto.
- Garantizar la ausencia de fugas en el sistema.
- Comprobar el consumo de corriente del compresor.
- Confirmar que el sistema funcione de modo coherente con los registros de mantenimiento anteriores y las condiciones ambientales.
- Comprobar que todas las conexiones eléctricas se encuentren correctamente fijadas.
- Mantener limpia la unidad y comprobar la ausencia de óxido y herrumbre en los componentes, los tubos y las conexiones eléctricas de la misma.

El condensador se debe revisar al menos una vez al año para detectar posibles obstrucciones y proceder a su limpieza, si es necesario. Se puede acceder a la parte interna del condensador a través del panel del ventilador. La suciedad tiende a acumularse en la superficie de los serpentines de los microcanales en lugar de en su interior, lo que facilita su limpieza en comparación con los serpentines de tubo y aletas.

• Desconecte la unidad condensadora utilizando el interruptor principal antes de desmontar cualquier panel de la misma.

• Elimine la suciedad, las hojas, las fibras, etc., de las superficies empleando una aspiradora a la que se haya acoplado un cepillo de cerdas suaves. También puede realizar un soplado con aire comprimido a través del serpentín (desde su parte interior hacia su parte exterior) y cepillarlo con un cepillo de cerdas blandas. No use cepillos de alambre. No golpee ni raye el serpentín con el tubo de vacío o la boquilla de aire.

Si se ha abierto el sistema de refrigerante, este deberá recorrerse con aire seco o nitrógeno para eliminar la humedad; asimismo, se deberá instalar un nuevo filtro secador. Si es necesario evacuar el refrigerante, esta operación se deberá evaluar de manera que ninguna fracción de aquel pueda escapar a la atmósfera.

Procedimiento de extracción del panel de servicio para la versión W09.



Paso 1: Desconecte la fuente de alimentación. Asegúrese de que el interruptor principal esté en la posición OFF antes de realizar las tareas de reparación y mantenimiento.

Instrucciones



Paso 2: Retire todos los tornillos del panel superior y, a continuación, extraiga el panel superior.



Paso 3: Retire todos los tornillos del panel lateral.



Paso 4: Extraiga el panel lateral paralelamente al interruptor principal.

14 – Declaración de incorporación

• **Directiva de Equipos a Presión 2014/68/UE EN 378-2:2016** - Sistemas de refrigeración y bombas de calor - Requisitos de seguridad y ambientales, parte 2: Diseño, construcción, ensayos, marcado y documentación

Directiva de Baja Tensión 2014/35/UE EN 60335-1:2012 + A11:2014: Seguridad en electrodomésticos y equipos similares, parte 1: Requisitos generales para todas las unidades condensadoras mencionadas anteriormente

DIRECTIVA sobre Eco-diseño 2009/125/CE que establece un marco para determinar los requisitos de Eco-diseño para productos relacionados con la energía.

REGULACIÓN (UE) 2015/1095 que implementa la Directiva sobre Eco-diseño 2009/125/CE en relación con los requisitos de Eco-diseño para armarios profesionales de almacenamiento refrigerado, expositores de enfriamiento rápido, unidades condensadoras y enfriadores de proceso.

• Las mediciones de la unidad condensadora se realizan de acuerdo con la norma «EN 13771-2:2007»: Compresores y unidades condensadoras para pruebas de rendimiento de refrigeración y métodos de prueba, parte 2: Unidades condensadoras

15 – Garantía

En cualquier reclamación que presente al respecto de este producto, indique siempre el número de modelo y el número de serie.

La garantía del producto puede quedar anulada por los siguientes motivos:

- Ausencia de placa de características.
- Modificaciones externas; en particular, perforaciones, soldaduras, patas rotas y marcas de impactos.
- Apertura del compresor o devolución del mismo sin los precintos correspondientes.
- Presencia de óxido, agua o tinte de detección de fugas en el interior del compresor.
- Uso de un refrigerante o lubricante no homologado por Danfoss.
- Cualquier divergencia en relación con las instrucciones recomendadas para su instalación, aplicación o mantenimiento.
- Uso como parte de aplicaciones móviles.
- Uso en atmósferas de carácter explosivo.
- Omisión del número de modelo o el número de serie en la reclamación bajo garantía.

16 – Eliminación



Danfoss recomienda que las unidades condensadoras y el aceite empleado para su funcionamiento sean reciclados por una empresa gestora autorizada y en sus instalaciones.

17 - Ajuste del regulador de velocidad del ventilador para R134a/R513A

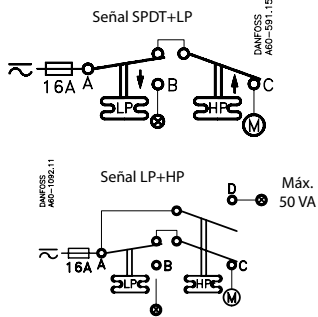
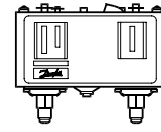
Tipo FSC	Regulador de velocidad del ventilador Número de repuesto	Carta de refrigerante	Para refrigerante	Ajuste de fábrica	Acción requerida
 XGE-2C	061H3248	G	R134a/R513A	8 bar	360° = una vuelta = aproximadamente 0,8 bar (Rotación en sentido horario = aumento del ajuste de presión, Rotación en sentido antihorario = disminución del ajuste de presión)
		Q	R404A/R452A/R507	15 bar	
		H	R404A/R507	15 bar	
		X	R404A/R507/R134a/R513A/ R407A/R407F/R448A/R449A/R452A	15 bar	
		Y	R404A/R507/R449A	15 bar	
		B	R404A/R507/R448A/R449A/R452A	15 bar	
X	Si el refrigerante usado es R-134a	15 bar	Gire el tornillo 9 vueltas en sentido antihorario para alcanzar el ajuste de 8 bar		

* El instalador puede modificar los ajustes requeridos en función de la aplicación.

18 - Ajustes de fábrica del presostato doble

Refrigerantes	Ajustes de alta presión (bar (g))		Ajustes de baja presión (bar (g))	
	ON	OFF	ON	OFF
R404A/R507/R407A/R407F/R448A/R449A/R452A	23	27	2	1
R134a/R513A	13	17	2	1

KP17WB



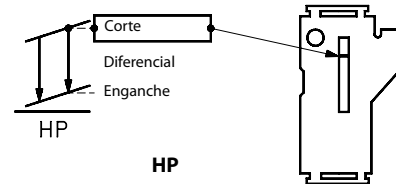
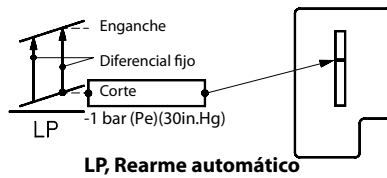
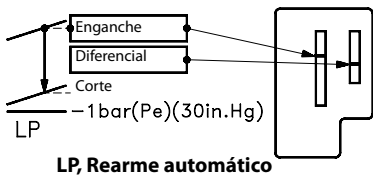
Controlador de refrigeración listado 61B5

Contactos	Tensión		FL A	LR A	Carga de resistenci	Ciclo de trabajo piloto
	CA	CC				
A-B	240		8	48	8A	3A
A-C	120		16	96	16A	
A-D	240					12W
						50VA

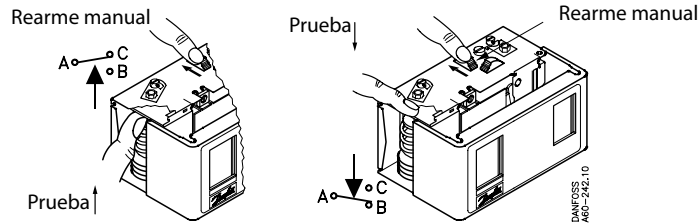
Utilice únicamente cable de cobre
Par de apriete de 20 lb.in

Para el uso de conformidad con la normativa UL

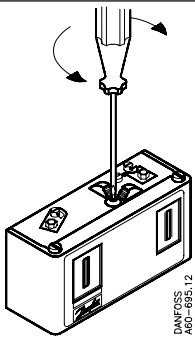
LR 112A	AC1 10A	400 V	DC 11
	AC3 10A		12 W
	AC11 10A		220 V



Prueba manual



Rearme convertible
KP 17B 060-539366, 060-539466

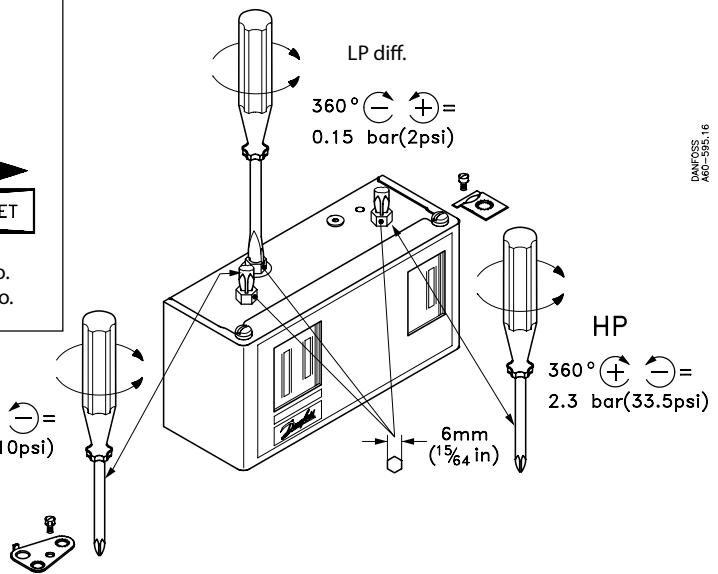


LP-auto.
HP-man.



LP-auto.
HP-auto.

LP
360° ⊕ ⊖ =
0.7 bar (10psi)



Istruzioni

Optyma™ Slim Pack

OP-LSQM / LSHM / MSXM / MSHM
MSGM / MSYM / MSBM

Targhetta

A	OP-MSXM068MLW05E		
B	114X7068		
C	Application MBP	IP 54	MADE IN INDIA
D	Refrigerant (1) R404A R507 R448A/R449A R407A/R407F/R452A	(2) R134a R513A	
E	M.W.P. HP (1) 28 bar	(2) 23 bar	11803415
	M.W.P. LP (1) 7 bar	(2) 5 bar	
F	Voltage 230 V ~ 1N ~ 50Hz	Max Ref Qty 5.4 kg	
	LRA 60 A	MCC 19 A	
	OIL INSIDE POE 46	RLA 8.3 A	
G	Serial No. 064119CG1517	PS _{HP} 28 bar	
	EAN No. XXXXXXXXXXXXX		

Danfoss Ltd., 22Wymcombe End, HP9 1NB, GB
Importatore TOB s.r.l. "Danfoss TOB" 04080, Viale 80, n. 168, Vercelli

* Per i valori esatti, fare riferimento alla targhetta affissa sull'unità

- A: Modello
- B: Numero di codice
- C: Applicazione, Protezione
- D: Refrigerante
- E: Pressione di esercizio alloggiamento (Pressione d'esercizio massima)
- F: Tensione di alimentazione, ampere rotore bloccato, Massima corrente continua
- G: Numero di serie e codice a barre

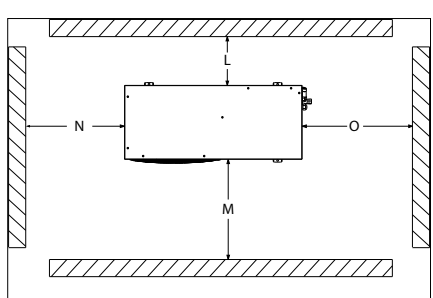


Figura 1: Distanze di montaggio minime

L [mm]	M [mm]	N [mm]	O [mm]
250	650	550	550

⚠ **Installazione e manutenzione dell'unità di condensazione solo da parte di personale qualificato. Attenersi a queste istruzioni e alle buone pratiche tecniche di refrigerazione relative all'installazione, la messa in servizio, la manutenzione e l'assistenza.**

⚠ L'unità di condensazione deve essere utilizzata solo per lo scopo previsto e nel suo ambito di applicazione.

⚠ In ogni circostanza, i requisiti di EN378 (o altra normativa di sicurezza locale applicabile) devono essere rispettati..

Il compressore viene consegnato pressurizzato con azoto (1 bar) e quindi non può essere allacciato in queste condizioni; vedere la sezione «Installazione» per ulteriori dettagli.

L'unità di condensazione deve essere maneggiata con cautela in posizione verticale (massima inclinazione rispetto alla verticale: 15°)

Nomenclatura per la gamma Optyma™ Slim Pack

OP - MSXM 034 ML W05 G

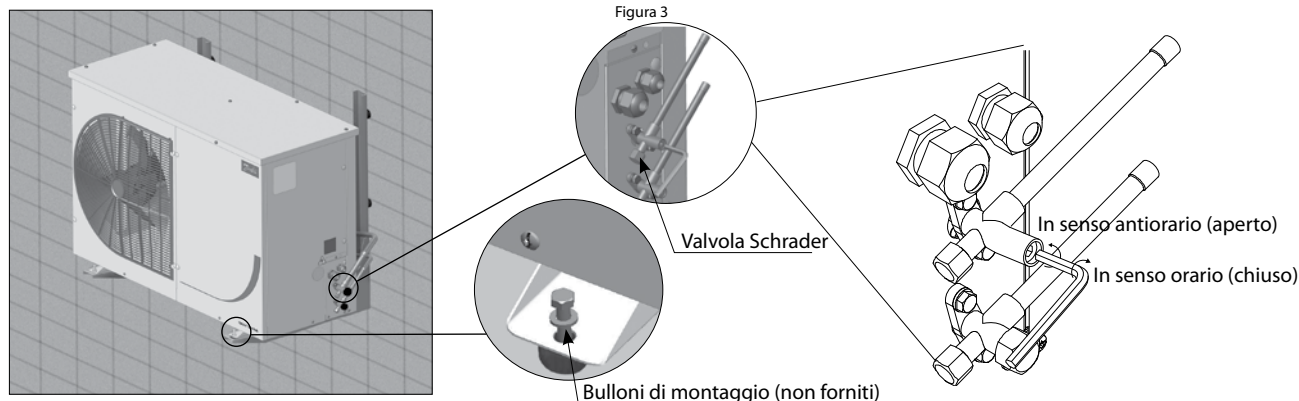
1 2 3 4 5 6 7 8

1 Applicazione	M = MBP L = LBP
2 Gruppo	Famiglia di unità condensatrici: S = Slim Pack
3 Refrigerante	H = R404A/R507 ; G = R134a, R513A ; Q = R452A, R404A/R507 X = R404A/R507, R134a, R407A, R407F, R448A, R513A, R449A, R452A ; Y = R404A/R507, R448A, R449A; B = R404A/R507, R449A, R452A; P = R448A/R449A, R407A/F, R404A/R507, O = R452A, R404A/R507, R448A, R449A
4 Condensatore	M = Condensatore di calore a microcanali
5 Volume di iniezione	Cilindrata in cm ³ : Esempio 034 = 34 cm ³
6 Tipo di compressore	MLZ, LLZ = Compressore scroll MTZ & NTZ = Compressore alternativo
7 Versione	W05/W09: Optyma™ Slim Pack
8 Codice di tensione	G = 230 V/compressore 1-fase e 230 V/ventilatore monofase E = 400 V/compressore 3-fase e 230 V/ventilatore monofase

Controllo versione

Optyma™ Slim Pack	W05	W09
Protezione IP:	IP54	
Tecnologia compressore	Scroll/Alternativo	
Centralina (pannello E pre-cablato)	sí	
Condensatore a microcanali	sí	
Regolatore velocità ventilatori	-	sí
Interruttore principale (interruttore automatico)	-	sí
Filtro essiccatore (connessioni a cartella)	sí	
Spia del liquido	sí	
Resistenza carter	sí	
Pressostato regolabile AP/BP	Modalità di reset auto/manuale	
Termostato gas di mandata (predisposizione)	sí*	
Allarme AP/BP (predisposizione)	sí*	

Istruzioni



1 - Introduzione

Queste istruzioni riguardano le unità condensatrici Optyma™ Slim Pack OP-LSHM/MSHM/MSGM/LSQM/MSXM/MSYM/MSBM (R448A, R449A, R452A, R407A, R407F, R507, R404A, R134a, R513A) utilizzate negli impianti di refrigerazione. Contengono le informazioni necessarie in materia di sicurezza e uso corretto del prodotto.

L'unità di condensazione include i seguenti componenti:

- Compressori scroll/alternativi
- Scambiatore di calore a microcanali
- Pressostati doppi
- Valvole di servizio Aspirazione/liquido
- Involucro impermeabile (IP 54)
- Filtro deidratatore
- Resistenza carter per compressore
- Ricevitore con valvola di arresto
- Spia del liquido
- Relè sequenza di fase (compressori scroll)
- Quadro elettrico completamente pre-cablato (compreso interruttore principale, contattore compressori e relè di sovraccarico)
- Regolatore velocità ventilatori e interruttore principale esterno (solo W09)

2 - Movimentazione e stoccaggio

- Si consiglia di non aprire l'imballaggio prima di aver trasportato l'unità sul posto d'installazione.
- Prestare particolare attenzione quando si movimentano l'unità. L'imballaggio consente l'utilizzo di un carrello elevatore o di un carrello trasportatore. Utilizzare apparecchiature di sollevamento adeguate e sicure.
- Magazzinare e trasportare l'unità in posizione verticale.
- Magazzinare l'unità tra -35 °C e 50 °C.
- Non esporre l'imballaggio a pioggia o ad atmosfere corrosive.
- Dopo il disimballaggio, controllare che l'unità sia completa e priva di danni.

3 - Precauzioni per l'installazione

- ⚠ Non brasare se l'unità di condensazione è sotto pressione.
- ⚠ Non usare mai l'unità in atmosfere infiammabili.
- ⚠ Posizionare l'unità in modo che non blocchi o sia di intralcio in zone di transito, davanti a porte, finestre, ecc.
- Assicurarsi che intorno all'unità vi sia spazio sufficiente per la circolazione dell'aria e l'apertura di porte e finestre. Fare riferimento alla Figura 1 per i valori minimi di distanza dalle pareti.
- Evitare di installare l'unità in luoghi quotidianamente esposti alla luce solare diretta per lunghi

periodi.

- Evitare di installare l'unità in ambienti aggressivi e polverosi.
- Assicurarsi che l'unità sia installata su una superficie orizzontale (inclinazione inferiore a 3°), sufficientemente solida e stabile da supportare il peso dell'intera unità, prevenendo vibrazioni e altre interferenze.
- La temperatura ambiente dell'unità non deve superare i 50 °C durante il ciclo di inattività.
- Verificare che l'alimentazione corrisponda alle caratteristiche dell'unità (vedere targhetta).
- Se si installa l'unità per l'uso con refrigeranti HFC o HFO, utilizzare attrezzature specifiche per i refrigeranti HFC o HFO, che non siano state mai utilizzate per i refrigeranti CFC o HCFC.
- Utilizzare tubazioni di rame pulite e deidratate, di qualità specifica per la refrigerazione, e materiale per la brasatura in lega d'argento.
- Utilizzare componenti di sistema puliti e deidratati.
- Le tubazioni collegate al compressore devono essere flessibili in 3 dimensioni per smorzare le vibrazioni. Il sistema delle tubazioni deve essere inoltre configurato in modo che il ritorno dell'olio per il compressore sia garantito e il rischio di formazione di morchia nel compressore sia eliminato.

4 - Installazione

- L'impianto in cui l'unità di condensazione viene installata deve essere conforme ai requisiti della direttiva sugli apparecchi a pressione EEC (PED) n. 97/23/EC. L'unità di condensazione di per sé non è considerata un'"unità" nel campo di applicazione della direttiva.
- L'unità deve essere installata fin dall'inizio in modo sicuro su un supporto stabile, rigido e fisso. Vedere la Figura 2
- **Si consiglia di installare l'apparecchiatura su gommini antivibrazione o smorzatori di vibrazioni (non forniti).**
- Rilasciare lentamente la carica di azoto attraverso la porta Schrader.
- Collegare l'unità all'impianto il più presto possibile per evitare la contaminazione dell'olio da parte dell'umidità ambientale.
- Prevenire l'ingresso di contaminanti nell'impianto quando si tagliano i tubi. Non praticare mai fori nei punti in cui le bave non possono essere rimosse.
- Brasare con grande attenzione utilizzando le migliori tecniche e sfatare le tubazioni con il flusso d'azoto.
- Collegare tutti i dispositivi di sicurezza e controllo. Quando la porta Schrader è utilizzata a questo scopo, rimuovere la valvola interna.
- Si raccomanda di isolare il tubo di aspirazione sull'ingresso del compressore con materiale isolante di 19 mm di spessore.

5 - Rilevazione delle perdite

- ⚠ Non pressurizzare mai il circuito con ossigeno o aria secca. Ciò potrebbe causare incendi o esplosioni.
 - Non utilizzare coloranti per il rilevamento delle perdite.
 - Eseguire un test di tenuta su tutto l'impianto.
 - Pressione di test massima: 31^{*)} bar.
 - Se si rileva una perdita, riparare la perdita e ripetere il test di tenuta.
- *) 25 bar per modelli OP-.....AJ.... e OP-.....FH....

6 - Deidratazione sotto vuoto

- Non usare mai il compressore per evacuare l'impianto.
- Collegare una pompa a vuoto sia sul lato LP sia sul lato HP.
- Svuotare l'impianto in condizioni di vuoto assoluto pari a 500 µm Hg (0,67 mbar).
- Non utilizzare un megaohmetro né ricollegare l'alimentazione elettrica al compressore mentre è sotto vuoto, in quanto ciò può causare danni interni.

7 - Collegamenti elettrici

- Scollegare e isolare l'alimentazione di rete.
- Assicurarsi che l'alimentazione elettrica non possa essere attivata durante l'installazione.
- Tutti i componenti elettrici devono essere selezionati conformemente alle norme locali e ai requisiti dell'unità.
- Consultare lo schema elettrico per i dettagli relativi ai collegamenti elettrici.
- Assicurarsi che l'alimentazione corrisponda alle caratteristiche dell'unità e che l'alimentazione sia stabile (tensione nominale ± 10% e frequenza nominale ± 2,5 Hz).
- Il dimensionamento dei cavi dell'alimentazione deve essere basato sui dati dell'unità relativi a tensione e corrente.
- Proteggere l'alimentatore e assicurarsi che l'unità sia messa a terra correttamente.
- Effettuare il collegamento all'alimentazione elettrica in base agli standard locali e ai requisiti legali.
- L'unità è equipaggiata con pressostati di alta e bassa pressione, i quali interrompono l'alimentazione elettrica al compressore e lanciano segnali di allarme di 230V c.a. (max. 50VA) in caso di attivazione. I parametri per i disinserimenti dell'alta e della bassa pressione devono essere impostati dall'installatore in base al modello di compressore, refrigerante e applicazione. Le unità con i compressori Danfoss MLZ e LLZ sono inoltre dotate di relè di sequenza di fase per proteggerle contro la perdita di fase/sequenza/asimmetria e sotto/sovratensione.

Per unità con un compressore scroll a tre fasi, è ne-

Istruzioni

cessario osservare la sequenza di fase corretta per la direzione di rotazione del compressore.

- Determinare la sequenza delle fasi utilizzando un misuratore di fase e stabilire l'ordine delle fasi di linea L1, L2 e L3.
- Collegare le fasi linea L1, L2 e L3 ai terminali dell'interruttore principale, rispettivamente T1, T2 e T3.

8 – Sicurezza

Sull'unità non è presente un tappo fusibile, sostituito da un tappo adattatore.

Sull'unità è presente un ricevitore liquido con tappo fusibile provvisto di attacco NPT 3/8». L'installatore/utente finale può scegliere tra le diverse opzioni menzionate nella norma EN378-2 : 2016 Articolo § 6.2.2.3

- L'unità/impianto su cui è integrata/montata l'unità condensatrice deve essere conforme alla direttiva sulle apparecchiature a pressione (PED).
- Prestare attenzione ai componenti estremamente caldi o freddi.
- Prestare attenzione ai componenti in movimento. Scollegare l'alimentazione elettrica durante la manutenzione.

9 – Riempimento dell'impianto

- Indossare equipaggiamento di protezione, come occhiali e guanti.
- Non avviare mai il compressore sotto vuoto. Il compressore deve essere spento.
- Prima di caricare il refrigerante, verificare che il livello dell'olio sia fra $\frac{1}{4}$ e $\frac{3}{4}$ nella spia del liquido del compressore. Se olio aggiuntivo è necessario, fare riferimento alla targhetta del compressore per il tipo d'olio.
- Utilizzare solo refrigeranti per i quali l'unità è stata progettata.
- Immettere il refrigerante in fase liquida nel condensatore o nel ricevitore di liquido. Assicurare un caricamento lento del sistema, a 4 - 5 bar per R404A/R507A/R407A/R407F/R448A/R449A o R452A e circa 2 bar per l'R134a/R513A.
- Non immettere refrigerante liquido nella linea di aspirazione.
- Non è consentito aggiungere additivi all'olio e/o refrigerante
- Portare a termine la carica solo quando l'impianto ha raggiunto un livello di condizione nominale stabile durante il funzionamento.
- Non lasciare mai il cilindro in corso di riempimento collegato al circuito.

10 – Verifiche prima della messa in esercizio

⚠ Utilizzare dispositivi di sicurezza, come un pressostato di sicurezza e una valvola di sicurezza meccanica, conformemente alle norme locali applicabili e agli standard di sicurezza. Assicurarsi che siano funzionanti e correttamente settati.

⚠ Verificare che i settaggi dei pressostati alta pressione e delle valvole di sicurezza non superino la pressione massima di esercizio di qualsiasi componente dell'impianto.

- Verificare che tutti i collegamenti elettrici siano correttamente allacciati e nel rispetto delle normative locali.
- Se una resistenza del carter è stata installata, questa deve essere messa sotto tensione almeno 12 ore prima della messa in servizio iniziale e prima dell'avviamento dopo un arresto prolungato.

11 – Avviamento

- Non avviare l'unità priva di carica refrigerante.
- Tutte le valvole di servizio devono essere in posizione aperta. Vedere la Figura 3.
- Verificare la conformità tra l'unità e l'alimenta-

tore.

- Verificare che la resistenza del carter funzioni.
- Verificare che la ventola ruoti liberamente.
- Verificare che la protezione sia stata rimossa dalla parte posteriore del condensatore.
- Bilanciare la pressione HP/LP.
- Mettere in tensione l'unità. Deve avviarsi immediatamente. Se il compressore non si avvia, controllare la conformità del cablaggio, la tensione sui terminali e la fase di sequenza.
- Una possibile rotazione inversa di un compressore trifase può essere rilevata se si osserva uno dei seguenti fenomeni: l'unità è dotata di un relè di inversione di fase e il compressore non si avvia, non è in grado di pressurizzarsi sufficientemente, il livello di rumorosità è eccessivamente elevato e il consumo energetico è eccessivamente basso. In tal caso, spegnere immediatamente l'unità e collegare le fasi ai terminali corretti.
- Se il senso di rotazione è corretto, l'indicatore della bassa pressione sul manometro di bassa pressione deve visualizzare un calo di pressione e l'indicatore di alta pressione sul manometro di alta pressione deve indicare una pressione crescente.

12 – Controlli l'unità in funzione

- Controllare il senso di rotazione della ventola. L'aria deve fluire dal condensatore verso il ventilatore.
- Controllare l'assorbimento di corrente e la tensione.
- Controllare il surriscaldamento di aspirazione per ridurre il rischio di colpi di liquido.
- Se una finestra di livello è presente, osservare il livello dell'olio all'avviamento e durante il funzionamento per confermare che il livello dell'olio rimanga visibile.
- Rispettare i limiti di funzionamento.
- Controllare tutti i tubi per vibrazioni anomale. Movimenti superiori a 1,5 mm richiedono misure correttive, come il montaggio di apposite staffe per i tubi.
- Se necessario, è possibile aggiungere ulteriore refrigerante nella fase liquida sul lato bassa pressione, il più lontano possibile dal compressore. Il compressore deve essere in funzione durante questo processo.
- Non immettere una quantità eccessiva di liquido nell'impianto.
- Seguire le norme locali per ripristinare il refrigerante nell'unità.
- Non rilasciare mai il refrigerante nell'atmosfera.
- Prima di lasciare il luogo di installazione, effettuare un controllo generale dell'installazione in termini di pulizia, rumore e rilevamento delle perdite.
- Annotare il tipo e la quantità della carica del refrigerante e le condizioni di funzionamento come riferimento per future ispezioni.

13 – Manutenzione

⚠ Spegnere sempre l'unità tramite l'interruttore principale prima di aprire lo sportello della ventola.

⚠ La pressione interna e la temperatura superficiale sono pericolose e possono causare lesioni permanenti.

Gli operatori della manutenzione e gli installatori devono avere competenze e attrezzature adeguate. La temperatura nei tubi può superare i 100 °C e causare gravi ustioni.

⚠ Assicurarsi che ispezioni di servizio periodiche, per garantire l'affidabilità dell'impianto come richiesto dalle normative locali, siano eseguite.

Per prevenire problemi all'impianto, attenersi al seguente programma di manutenzione perio-

dica:

- Verificare che i dispositivi di sicurezza siano in funzione e correttamente settati.
 - Assicurarsi che l'impianto sia a tenuta.
 - Controllare l'assorbimento elettrico del compressore.
 - Verificare che l'impianto funzioni in modo coerente con i record di manutenzione precedenti e le condizioni ambientali.
 - Controllare che tutti i collegamenti elettrici siano adeguatamente allacciati.
 - Mantenere l'unità pulita e verificare l'assenza di ruggine e ossidazione sui componenti dell'unità, i tubi e i collegamenti elettrici.
- Il condensatore deve essere controllato almeno una volta all'anno per rilevare possibili intasamenti ed essere pulito, se necessario. L'accesso all'interno del condensatore è tramite il pannello della ventola. La sporcizia tende ad accumularsi sulla superficie delle bobine dei microcanali e non all'interno e sono quindi più facili da pulire rispetto ai modelli convenzionali (ad alette e tubi).

- Spegnere sempre l'unità tramite l'interruttore principale prima di rimuovere un pannello dall'unità di condensazione.
- Rimuovere lo sporco superficiale, foglie, fibre, ecc., con un aspirapolvere dotato di una spazzola morbida o altro elemento morbido idoneo. In alternativa, soffiare aria compressa attraverso la bobina dall'interno verso l'esterno e pulire con un pennello a setole morbide. Non usare una spazzola metallica. Non colpire o raschiare la bobina con il tubo o l'ugello dell'aria.

Se il sistema refrigerante è stato aperto, deve essere pulito con aria secca o azoto per eliminare l'umidità e un nuovo filtro deidratatore deve essere installato. Se il refrigerante deve essere spurgato, adottare una procedura che prevenga il rilascio del refrigerante nell'ambiente.

Procedura di rimozione del pannello di servizio per la versione W09.



Passo 1: scollegare l'alimentazione elettrica. Assicurarsi che l'interruttore principale sia spento prima di effettuare la manutenzione.



Passo 2: Rimuovere tutte le viti del pannello superiore e il pannello stesso.

Istruzioni



Passo 3: Rimuovere tutte le viti del pannello laterale.



Passo 4: Rimuovere il pannello laterale in parallelo all'interruttore principale.

14 – Dichiarazione di incorporazione

• **Direttiva sulle apparecchiature a pressione 2014/68/UE EN 378-2:2016** - Impianti di refrigerazione e pompe di calore - Requisiti di sicurezza e ambientali - Parte 2: Progettazione, costruzione, collaudo, marcatura e documentazione

Direttiva sulla bassa tensione 2014/35/UE EN 60335-1:2012 + A11:2014 - Sicurezza degli apparecchi elettrici d'uso domestico e similare - Parte 1: Requisiti generali per tutte le unità condensatrici sopra menzionate

DIRETTIVA Ecodesign 2009/125/ CE relativa all'istituzione di un quadro per l'elaborazione di requisiti per la progettazione ecocompatibile dei prodotti connessi all'energia.

REGOLAMENTO (UE) 2015/1095, recante misure di esecuzione della direttiva Ecodesign 2009/125/CE in merito ai requisiti di progettazione ecocompatibile degli armadi refrigerati professionali, degli abbattitori, delle unità condensatrici e dei chiller di processo.

• Le misure dell'unità condensatrice sono eseguite in base alla norma «EN 13771-2: 2007» - Compressori e unità condensatrici per la refrigerazione - Verifica delle prestazioni e metodi di prova - parte 2: Unità condensatrici

15 – Garanzia

Comunicare sempre il numero di modello e il numero di serie con qualsiasi reclamo presentato per questo prodotto.

La garanzia del prodotto può essere nulla nei seguenti casi:

- Assenza di targhetta.
- Modifiche esterne, in particolare forature, saldature, piedini rotti e segni di urti.
- Compressore aperto o restituito non sigillato.
- Ruggine, presenza di colorante per il rilevamen-

to di perdite all'interno del compressore.

- Uso di un refrigerante o lubrificante non approvati da Danfoss.
- Qualsiasi deviazione dalle istruzioni raccomandate relative a installazione, applicazione o manutenzione.
- Utilizzo in applicazioni mobili.
- Utilizzo in atmosfere esplosive.
- Numero di modello o numero di serie non inclusi con la richiesta di garanzia.

16 – Smaltimento



Danfoss raccomanda che le unità di condensazione e l'olio vengano riciclati da una società specializzata presso il proprio sito.

17 - Impostazioni del controllore di velocità per le macchine a R134a/R513A

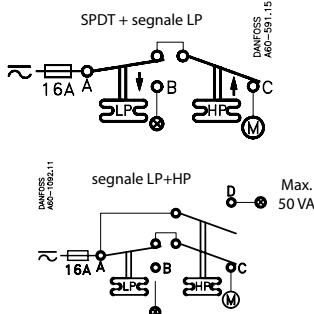
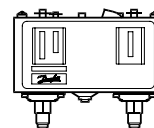
Modello del controllore di velocità delle ventole	Controllore delle velocità delle ventole N° parte di ricambio	Lettera corrispondente della serie di refrigeranti	Refrigeranti	Impostazioni della pressione (di fabbrica)	Azione richiesta
 XGE-2C	061H3248	G	R134a/R513A	8 bar	360°=1 giro =indicativamente 0,8 barG (rotazione oraria = aumento del set-point di pressione) (rotazione anti-oraria = riduzione del set point di pressione)
		Q	R404A/R452A/R507	15 bar	
		H	R404A/R507	15 bar	
		X	R404A/R507/R134a/R513A/ R407A/R407F/R448A/R449A/R452A	15 bar	
		Y	R404A/R507/R449A	15 bar	
		B	R404A/R507/R448A/R449A/R452A	15 bar	
	X	Se il fluido refrigerante è R134a	15 bar	Ruotare la vite di 9 giri in senso orario, per impostare a 8 bar	

* L'installatore può definire l'impostazione necessaria in base all'applicazione.

18 - Impostazioni di fabbrica dei pressostati doppi

Refrigeranti	Impostazione alta pressione (bar (g))		Impostazione bassa pressione (bar (g))	
	ON	OFF	ON	OFF
R404A/R507/R407A/R407F/R448A/R449A/R452A	23	27	2	1
R134a/R513A	13	17	2	1

KP17WB



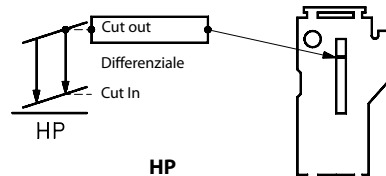
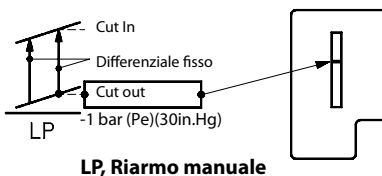
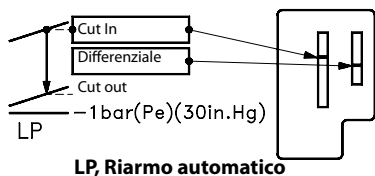
Regolatore di refrigerazione classificato 61B5

Contatti	Voltaggio		FL	LR	Carico di resistenza	Carico pilota
	CA	CC	A	A		
A-B	240		8	48	8A	3A
A-C	120		16	96	16A	
A-D	240					12W
						50VA

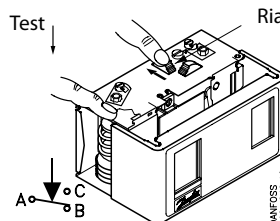
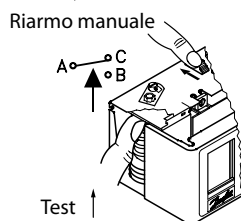
Usare esclusivamente filo di rame
Coppia di serraggio 2,5 Nm (20lb.in).

In caso di utilizzo in conformità con i regolamenti UL

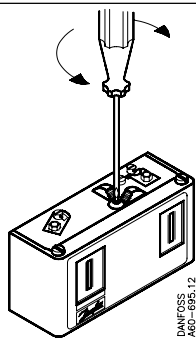
LR 112A	AC1 10A	400 V	DC 11
	AC3 10A		12 W
	AC11 10A		220 V



Prova manuale



Resettaggio convertibile
KP 17B 060-539366, 060-539466



LP-auto.
HP-man.

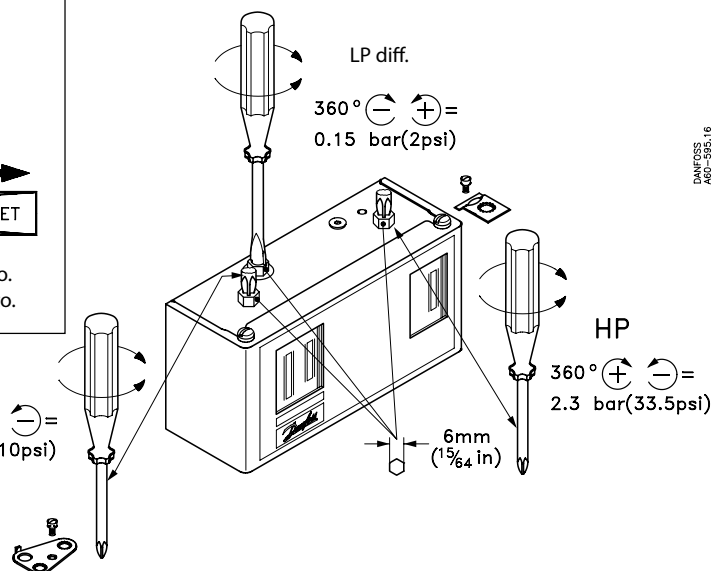


LP-auto.
HP-auto.

LP
360° (+) (-) =
0.7 bar (10psi)

LP diff.
360° (-) (+) =
0.15 bar (2psi)

HP
360° (+) (-) =
2.3 bar (33.5psi)



DANFOSS
A60-595.16

Instruções

Optyma™ Slim Pack

OP-LSQM / LSHM / MSXM / MSHM

MSGM / MSYM / MSBM

Placa de identificação

A	OP-MSXM068MLW05E	
B	114X7068	MADE IN INDIA
C	Application MBP	IP 54
D	Refrigerant (1) R404A R507 R448A/R449A R407A/R407F/R452A	(2) R134a R513A
E	M.W.P. HP (1) 28 bar (2) 23 bar	(2) 5 bar
F	M.W.P. LP (1) 7 bar	(2) 5 bar
F	Voltage 230 V ~ 1N ~ 50Hz	Max Ref Qty 5.4 kg
	LRA 60 A	MCC 19 A
	OIL INSIDE POE 46	RLA 8.3 A
G	Serial No. 064119CG1517	PS _{HP} 28 bar
	EAN No. xxxxxxxxxxxxxxxx	

Danfoss Ltd., 22Wyncombe End, HP9 1NB, GB
Importador TOB e II "Danfoss TOB" 04080, Kulu 80, n.º 166, Vipalpa

Danfoss A/S, 6480 Nordborg, Denmark

* Para obter os valores exatos, consulte a placa de identificação na unidade

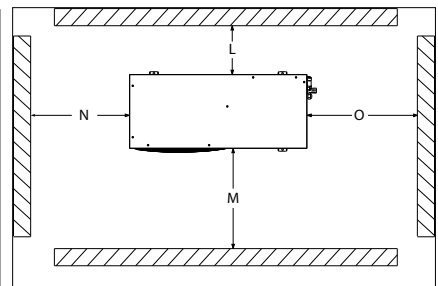


Imagem 1 : Distâncias mínimas de montagem

L [mm]	M [mm]	N [mm]	O [mm]
250	650	550	550

⚠ **Instalação e manutenção das unidades de condensação, apenas por pessoal qualificado. Siga estas instruções e uma sensata prática na engenharia da refrigeração, relativamente à montagem, comissionamento, manutenção e serviço.**

⚠ A unidade de condensação apenas deverá ser utilizada para o(s) fim(ns) previsto(s) e dentro do seu âmbito de aplicação.

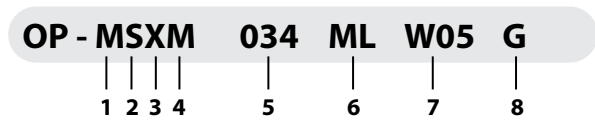
⚠ Em qualquer circunstância, os requisitos EN378 (ou outros regulamentos locais de segurança aplicáveis) terão de ser cumpridos.

A unidade de condensação é entregue sob pressão de gás nitrogénio (1 bar) e como tal não pode ser ligada tal como está; consulte a secção "Montagem" para obter mais pormenores.

A unidade de condensação deve ser manuseada com cuidado na posição vertical (desvio máximo da posição vertical : 15°)

- A: Modelo
- B: Código número
- C: Aplicação, Protecção
- D: Refrigerante
- E: Pressão de serviço da caixa (Pressão máxima de funcionamento)
- F: Tensão de alimentação, amperagem do rotor bloqueado, Corrente contínua máxima
- G: Número de série e código de barras

Sistema de designação para a gama Optyma™ Slim Pack



1	Aplicação M = MBP L = LBP
2	Embalagem Família da unidade de condensação: S = Slim Pack
3	Refrigerante H = R404A/R507 ; G = R134a, R513A ; Q = R452A, R404A/R507 X = R404A/R507, R134a, R407A, R407F, R448A, R513A, R449A, R452A ; Y = R404A/R507, R448A, R449A; B = R404A/R507, R449A, R452A; P = R448A/R449A, R407A/F, R404A/R507, O = R452A, R404A/R507, R448A, R449A
4	Condensador M = Condensador de calor por microcanais
5	Cilindrada Deslocamento em cm ³ : Exemplo 034 = 34 cm ³
6	Plataforma de compressor MLZ, LLZ = Compressor Scroll MTZ e NTZ = Compressor alternativo
7	Versão W05/W09: Optyma™ Slim Pack
8	Código de tensão G = 230V/compressor 1-fásico e 230V/ventilador monofásico E = 400V/compressor 3-fásico e 230V/ventilador monofásico

Controlo da versão

Optyma™ Slim Pack	W05	W09
Nível IP	IP54	
Tecnologia do compressor	Scroll/Alternativo	
Caixa de controlo (painel E pré-ligado)	sim	
Condensador por microcanais	sim	
Controlador da velocidade do ventilador	-	sim
Interruptor principal (disjuntor)	-	sim
Secador de filtro (ligações de rosca)	sim	
Janela de controlo	sim	
Aquecedor de cárter	sim	
Pressóstato regulável de AP/BP	Auto/Modo de reposição manual	
Termóstato de gás de descarga (provisão)	sim*	
Alarme AP/BP (provisão)	sim*	

Instruções

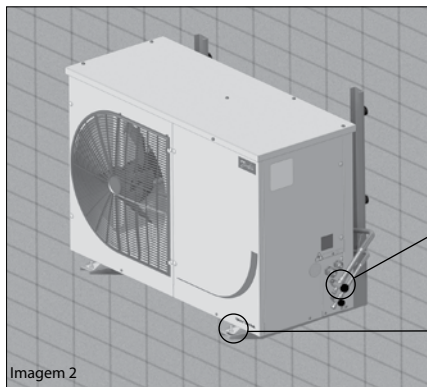
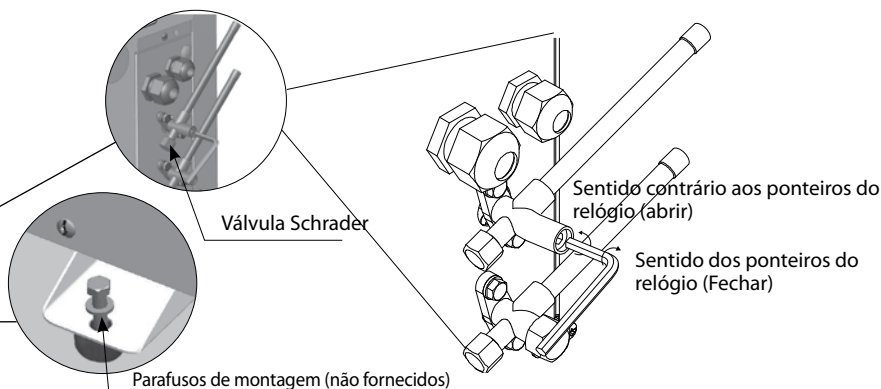


Imagem 3



1 – Introdução

Estas instruções pertencem às unidades de condensação Optyma™ Slim Pack OP-LSHM/MSHM/MSGM/LSQM/MSXM/MSYM/MSBM (R448A, R449A, R452A, R407A, R407F, R507, R404A, R134a, R513A) utilizadas em sistemas de refrigeração. Fornecem a informação necessária relativa à segurança e utilização correcta deste produto.

A unidade de condensação inclui o seguinte:

- Compressor scroll/recíproco
- Permutador de calor por microcanais
- Interruptores de pressão dupla
- Válvulas de assistência de aspiração/líquidos
- Caixa robusta e estanque (IP 54)
- Filtro secador
- Resistência do cárter para compressor
- Receptor com válvula de segurança
- Janela de controlo
- Relé de sequência de fases (compressor scroll)
- Painel eléctrico totalmente pré-ligado (incluindo interruptor principal, contactor dos compressores, relé de sobrecarga)
- Controlador de velocidade da ventoinha e interruptor principal externo (apenas W09)

2 – Manuseamento e armazenamento

- É recomendado que não abra a embalagem antes de a unidade estar no local de montagem final.
- Manuseie a unidade com cuidado. A embalagem permite que o utilizador utilize uma empilhadora ou um porta-paletes. Utilize equipamento de elevação seguro e adequado.
- Armazene e transporte a unidade numa posição vertical.
- Armazene a unidade a uma temperatura entre os -35 °C e 50 °C.
- Não exponha a embalagem à chuva ou a uma atmosfera corrosiva.
- Após desembalar, verifique se a unidade está completa e não está danificada.

3 – Instalação e precauções

- ⚠ Não solde enquanto a unidade de condensação estiver sob pressão.
- ⚠ Nunca utilize a unidade numa atmosfera inflamável.
- ⚠ Coloque a unidade de forma a que esta não bloqueie nem impeça as áreas de passagem, portas, janelas ou outros.
- Certifique-se de que há espaço suficiente à volta da unidade para circulação de ar e abertura de portas. Consulte a imagem 1 para conhecer os valores mínimos da distância em relação à parede.
- Evite montar a unidade em locais que estejam diariamente expostos a luz solar directa durante longos períodos.

- Evite montar a unidade em ambientes agressivos e poeirentos.
- Certifique-se de que tem uma fundação com superfície horizontal (com menos de 3° de inclinação), suficientemente forte e estável para transportar todo o peso da unidade e para eliminar vibrações e interferências.
- A temperatura ambiente da unidade não deverá exceder os 50 °C durante o repouso.
- Certifique-se de que a fonte de alimentação corresponde às características da unidade (consulte a placa de nome).
- Ao instalar unidades para refrigerantes HFC ou HFO, utilize equipamento especialmente reservado para os mesmos, que nunca tenha sido utilizado para refrigerantes CFC ou HCFC.
- Utilize tubos de cobre para refrigeração, limpos e desidratados e ainda material de soldadura com liga de prata.
- Utilize componentes de sistema limpos e desidratados.
- A tubagem de aspiração ligada ao compressor deverá ser flexível em 3 dimensões para amortecer as vibrações. Além disso, deve ser construída de uma forma que garanta o retorno do óleo ao compressor e que elimine o risco de golpe de líquido no compressor.

4 – Montagem

- A instalação na qual a unidade de condensação é montada deve estar em conformidade com a directiva de pressão CEE (PED) n.º 97/23/EC. A própria unidade de condensação não é uma "unidade" no âmbito desta directiva.
- A unidade deve ser firmemente instalada num suporte rígido e estável e deve estar fixo desde o início. Ver imagem 2
- **Recomendamos que monte a unidade em apoios de borracha ou amortecedores de vibrações (não fornecidos).**
- Liberte lentamente a carga de sustentação do nitrogénio através da válvula schrader.
- Assim que possível, ligue a unidade ao sistema, para evitar a contaminação do óleo pela humidade ambiente.
- Evite a entrada de material no sistema enquanto corta os tubos. Nunca perfure em locais onde as brocas não possam ser removidas.
- Solde com extremo cuidado, utilizando a mais recente tecnologia e tubagem de ventilação em conjunto com o fluxo de gás de nitrogénio.
- Ligue os dispositivos de controlo e segurança necessários. Quando a válvula schrader é utilizada para este fim, retire a válvula interna.
- Recomendamos que isole o tubo de aspiração até à entrada do compressor, com isolamento com 19 mm de espessura.

5 – Detecção de fugas

- ⚠ Nunca pressurize o circuito com oxigénio ou ar seco. Isto poderá provocar fogo ou explosão.
- Não utilize tinta para detecção de fugas.
- Execute um ensaio de detecção de fugas na totalidade do sistema.
- A pressão máxima de teste é de 31^{*)} bar.
- Quando for detectada uma fuga, repare-a e repita a detecção da fuga.

^{*)} 25 bar para os modelos OP-.....AJ... & OP-.....FH....

6 – Desidratação de vácuo

- Nunca utilize o compressor para evacuar o sistema.
- Ligue uma bomba de vácuo quer ao lado de Baixa Pressão, quer ao de Alta Pressão.
- Baixe o sistema sob um vácuo de 500 µm Hg (0,67 mbar) absolutos.
- Não utilize um megaohmímetro, nem aplique potência no compressor enquanto este se encontrar sob vácuo, já que tal poderá provocar danos internos.

7 – Ligações eléctricas

- Desligue e isole a fonte de alimentação principal.
- Certifique-se de que a fonte de alimentação não pode ser ligada durante a montagem.
- Todos os componentes eléctricos deverão ser seleccionados segundo os padrões locais e os requisitos do compressor.
- Consulte o diagrama de cablagem para saber detalhes das ligações eléctricas.
- Certifique-se de que a fonte de alimentação corresponde às características da unidade e de que a fonte de alimentação é estável (tensão nominal ±10% e frequência nominal ±2,5 Hz).
- Dimensione os cabos da fonte de alimentação segundo os dados de corrente e tensão da unidade.
- Proteja a fonte de alimentação e garanta uma ligação à terra correcta.
- Estabeleça a alimentação segundo os padrões locais e os requisitos legais.
- A unidade está equipada com pressóstatos de alta e baixa pressão, que cortam directamente a alimentação ao compressor e fornecem sinais de alarme de 230 V CA (máx. 50 V A) caso sejam ativados. Os parâmetros relativos a cortes de alta e baixa pressão devem ser definidos pelo instalador tendo em consideração o modelo do compressor, o refrigerante e a aplicação. As unidades com compressores MLZ e LLZ da Danfoss estão também equipadas com um relé de sequência de fases para proteger a unidade contra a assimetria de fase/perda/sequência e sub/sobretensão.

Instruções

Para unidades com um compressor scroll trifásico, deve ser cumprida a sequência de fase para a direcção de rotação do compressor.

- Determine a sequência de fase utilizando um medidor de fase, para estabelecer a ordem das fases das fases de linha L1, L2 e L3.
- Ligue as fase de linha L1, L2 e L3 aos terminais T1, T2 e T3 do interruptor principal, respectivamente.

8 – Segurança

A ficha de fusível não está disponível na unidade, foi substituída por uma ficha de adaptador.

A unidade possui um recetor de líquidos com uma Ficha de adaptador com ligação NPT de 3/8". O instalador/utilizador final pode seleccionar várias opções, como mencionado em EN378-2: 2016 Artigo § 6.2.2.3

- A unidade/instalação em que a unidade de condensação está montada/integrada deve estar em conformidade com a PED.
- Preste atenção a componentes extremamente quentes e frios.
- Preste atenção a componentes em movimento. A alimentação eléctrica deverá ser desligada durante a assistência.

9 – Enchimento do sistema

- Use equipamento de protecção, como óculos e luvas de protecção.
- Nunca inicie o compressor sob vácuo. Mantenha o compressor desligado.
- Antes de carregar com refrigerante, verifique se o nível do óleo está entre $\frac{1}{4}$ e $\frac{3}{4}$ na janela de controlo do óleo do compressor. Se for necessário mais óleo, consulte a etiqueta do compressor para saber qual o tipo de óleo.
- Utilize apenas o refrigerante para o qual a unidade foi concebida.
- Encha o condensador ou o receptor líquido com refrigerante em estado líquido. Certifique-se de que carrega lentamente o sistema a 4 – 5 bar para R404A/R507A/R407A/R407F/R448A/R449A ou R452A e aprox. 2 bar para R134a/R513A.
- Não coloque refrigerante líquido através da linha de aspiração.
- Não é permitido misturar aditivos com o óleo e/ou com o refrigerante
- Carregue o resto até a instalação ter atingido um nível de condição nominal estável, durante a operação.
- Nunca deixe o cilindro de enchimento ligado ao circuito.

10 – Verificação antes do comissionamento

⚠ Utilize dispositivos de segurança, tal como o interruptor de pressão de segurança e a válvula mecânica de alívio, em conformidade com os regulamentos e padrões de segurança geralmente e localmente aplicáveis. Certifique-se de que estão operacionais e correctamente definidos.

⚠ Verifique se as configurações dos interruptores de alta pressão e das válvulas de alívio não excedem a pressão de serviço máxima de qualquer componente de sistema.

- Verifique se todas as ligações eléctricas estão correctamente apertadas e em conformidade com os regulamentos locais.
- Quando for necessária uma resistência de cárter, este deverá ser alimentado pelo menos 12 horas antes do arranque inicial ou do arranque após uma paragem prolongada.

11 – Arranque

- Nunca inicie a unidade quando não está

carregado qualquer refrigerante.

- Todas as válvulas de assistência deverão estar na posição aberta. Consulte a imagem 3.
- Verifique a conformidade entre a unidade e a fonte de alimentação.
- Verifique se a resistência do cárter está a funcionar.
- Verifique se a ventoinha pode rodar livremente.
- Verifique se a placa de protecção foi removida da parte posterior do condensador.
- Equilibre a pressão HP/LP.
- Alimente a unidade. Deverá iniciar prontamente. Se o compressor não iniciar, verifique a conformidade dos fios, a tensão nos terminais e a fase de sequência.
- Uma eventual rotação inversa do compressor trifásico pode ser detectado através dos seguintes fenómenos: a unidade não arranca, o compressor não acumula pressão, tem um nível de som estranhamento alto e um consumo de energia estranhamente baixo. Nesse caso, desligue imediatamente a unidade e ligue as fases aos terminais adequados.
- Se a direcção de rotação estiver correcta, a indicação de pressão no controlador (ou no indicador de pressão baixa) deve mostrar uma pressão descendente e a indicação de pressão alta (ou o indicador de pressão alta) deve mostrar uma pressão ascendente.

12 – Verificar no compressor em funcionamento

- Verifique a direcção de rotação da ventoinha. Deve haver fluxo de ar do condensador em direcção à ventoinha.
- Verificar a tomada de corrente e a tensão.
- Verifique o sobreaquecimento da aspiração para reduzir o risco de arrastamento.
- Quando existe uma janela de controlo, observe o nível do óleo no início e durante a operação, para confirmar se o nível do óleo se mantém visível.
- Respeite os limites de funcionamento.
- Verifique todos os tubos quanto a vibração anormal. Movimentos que excedam 1,5 mm necessitam de medidas de correcção, tal como suportes de tubos.
- Quando necessário, poderá ser adicionado algum refrigerante extra em estado líquido no lado de baixa pressão, o mais longe possível do compressor. O compressor deverá estar em funcionamento durante este processo.
- Não sobrecarregue o sistema.
- Siga os regulamentos locais para recolher o refrigerante da unidade.
- Nunca liberte refrigerante na atmosfera.
- Antes de abandonar o local da instalação, leve a cabo uma inspecção geral da instalação com incidência na limpeza, ruído e detecção de fugas.
- Registe o tipo e a quantidade de carga de refrigerante, assim como as condições de funcionamento, como referência para futuras inspecções.

13 – Manutenção

⚠ Desligue sempre a unidade no interruptor principal, antes de remover o painel da ventoinha.

⚠ A pressão interna e a temperatura da superfície são perigosas e podem provocar lesões permanentes.

Os operadores de manutenção e os instaladores necessitam de aptidões e ferramentas adequadas. A temperatura das tubagens poderá exceder os 100 °C e provocar queimaduras severas.

⚠ Certifique-se de que são executadas inspecções de manutenção periódicas, para assegurar a fiabilidade do sistema, conforme

exigido pelos regulamentos locais.

Para evitar problemas relacionados com o sistema, são recomendadas as seguintes manutenções periódicas:

- Verifique se os dispositivos de segurança se encontram operacionais e correctamente configurados.
- Certifique-se de que o sistema se encontra estanque.
- Verifique a tomada de corrente do compressor.
- Confirme se o sistema está a funcionar de uma forma consistente com registos de manutenção e condições ambiente anteriores.
- Verifique se todas as ligações eléctricas ainda se encontram correctamente apertadas.
- Mantenha a unidade limpa e constate a ausência de ferrugem e oxidação nos componentes da unidade, nos tubos e nas ligações eléctricas.

O condensador deve ser verificado pelo menos uma vez por ano quanto a entupimento e deve ser limpo se considerar necessário. Para aceder ao lado interno do condensador, faça-o através do painel da ventoinha. As bobinas de microcanais tende a acumular sujidade na superfície e não no interior, o que as torna mais fácil de limpar do que bobinas de tubos finos.

•Desligue a unidade no interruptor principal antes de remover qualquer painel da unidade de condensação.

•Remova da superfície a sujidade, folhas, fibras, etc. com um aspirador equipado com uma escova ou outro acessório suave. Em alternativa, pulverize ar comprimido através da bobina de dentro para fora e escove com uma escova suave. Não utilize uma escova metálica. Não provoque impacto nem arranhe a bobina com o tubo de vácuo nem com o bocal de ar.

Se o sistema de refrigerante tiver sido aberto, o sistema tem de ser injectado com ar seco ou com nitrogénio, para remover a humidade e deve ser instalado um novo filtro secador. Se tiver de retirar o refrigerante, isso deve ser efectuado de forma a que não escape qualquer refrigerante para o ambiente.

Procedimento de remoção do painel de serviço para a Versão W09.



Passo 1: Desligue a alimentação eléctrica. Certifique-se de que o interruptor principal está desligado antes de iniciar a assistência.



Passo 2: Retire todos os parafusos do painel superior e, em seguida, retire o painel superior.

Instruções



Passo 3: Retire todos os parafusos do painel lateral.



Passo 4: Retire o painel lateral paralelo ao interruptor principal.



14 – Declaração de incorporação

•**Diretiva sobre equipamentos sob pressão 2014/68/EU EN 378-2:2012** - Sistemas de refrigeração e bombas térmicas - Requisitos de segurança e ambientais-Partes 2: Projeto, construção, testes, marcação e documentação

Diretiva sobre material elétrico de baixa tensão 2014/35/EU EN 60335-1:2012 + A11:2014- Aparelhos elétricos domésticos e similares -Parte 1: Requisitos gerais-para todas as unidades de condensação supra mencionadas Diretiva sobre **eco-design 2009/125/ EC**, estabelecimento de um enquadramento para a definição dos requisitos de eco-design para produtos relacionados com energia.

REGULAMENTO (UE) 2015/1095, que implementa a Diretiva sobre eco-design 2009/125/EC relativamente aos requisitos de eco-design para compartimentos de armazenamento refrigerado profissionais, compartimentos de jateamento, unidades condensadoras e refrigeradores de líquido aplicados em processos de produção.

• As medições das unidades condensadoras são realizadas de acordo com a norma «EN 13771-2:2007» – Compressores e unidades condensadoras para testes de desempenho da refrigeração e métodos de testes- parte 2: Unidades condensadoras

15 - Garantia

Transmita sempre o número do modelo e o número de série com qualquer reclamação preenchida relativamente a este produto.

A garantia do produto poderá ser anulada nos seguintes casos:

- Ausência da placa de nome.
- Modificações externas, em particular,

perfuração, soldadura, pés partidos e marcas de choques.

- Compressor aberto ou devolvido com o selo violado.
- Presença de ferrugem, água ou tinta de deteção de fugas no interior do compressor.
- A utilização de um refrigerante ou lubrificante não aprovado pela Danfoss.
- Qualquer desvio em relação às instruções recomendadas relativas à instalação, aplicação ou manutenção.
- Utilização em aplicações móveis.
- Utilização num ambiente atmosférico explosivo.
- Nenhum número de modelo ou número de série transmitido com o pedido de garantia.

16 – Eliminação



A Danfoss recomenda que as unidades de condensação e o óleo sejam reciclados por uma empresa adequada nas suas instalações.

17 - Controlador de velocidade do ventilador definido para refrigerante R134a/R513A

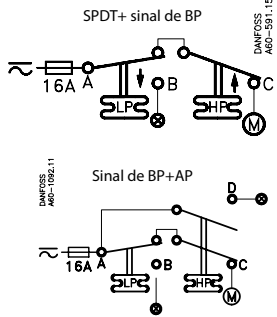
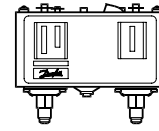
Tipo de FSC	Controlador de velocidade do ventilador Número da peça de reposição	Identificação do Refrigerante	Para o refrigerante	Configuração de fábrica	Ação necessária
 XGE-2C	061H3248	G	R134a/R513A	8 bar	360° = 1 volta = aprox. 0,8 bar (Rotação no sentido horário = aumento na pressão de configuração Rotação no sentido anti-horário = diminuição na pressão de configuração)
		Q	R404A/R452A/R507	15 bar	
		H	R404A/R507	15 bar	
		X	R404A/R507/R134a/R513A/ R407A/R407F/R448A/R449A/R452A	15 bar	
		Y	R404A/R507/R449A	15 bar	
		B	R404A/R507/R448A/R449A/R452A	15 bar	
	X	Se o refrigerante utilizado for o R134a	15 bar	Gire o parafuso 9 voltas no sentido horário para alcançar 8 bar	

* O instalador pode configurar a definição pretendida com base na aplicação.

18 - Definições de fábrica do interruptor de pressão dupla

Refrigerantes	Definições de alta pressão (bar (g))		Definições de baixa pressão (bar (g))	
	Ligado	Desligado	Ligado	Desligado
R404A/R507/R407A/R407F/R448A/R449A/R452A	23	27	2	1
R134a/R513A	13	17	2	1

KP17WB



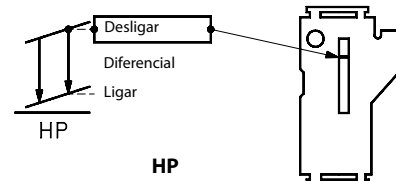
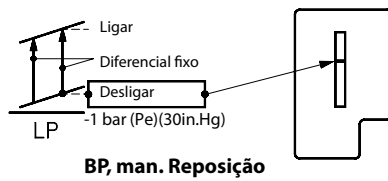
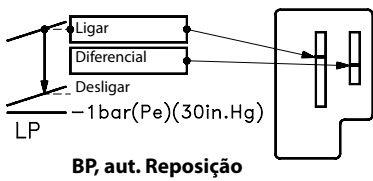
Controlador de refrigeração listado

Contactos	Tensão		FL A	LR A	Resist. Carga	Funcionamento piloto
	AC	DC				
A-B	240		8	48	8A	3A
	120		16	96	16A	
A-C		240				12W
A-D	240					50VA

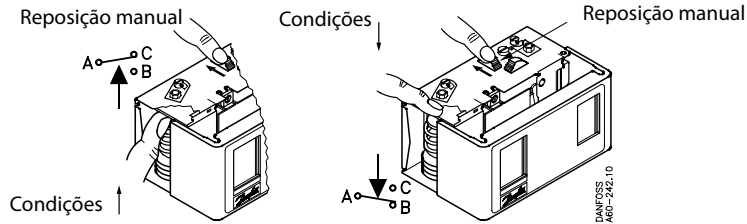
Use apenas fio de cobre
Torque de aperto 20 lb.pol.

Quando usado de acordo com os regulamentos UL

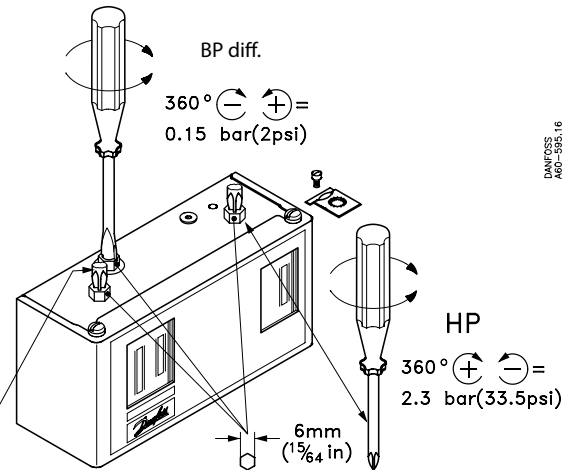
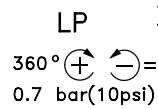
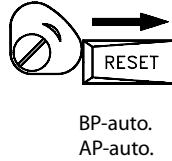
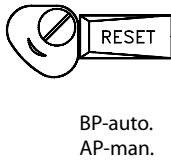
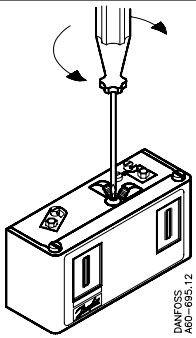
LR 112A	AC1 10A AC3 10A AC11 10A	400 V	DC 11 12 W 220 V
---------	--------------------------------	-------	------------------------



Teste manual



Reposição convertível
KP 17B 060-539366, 060-539466



Instructies

Optyma™ Slim Pack

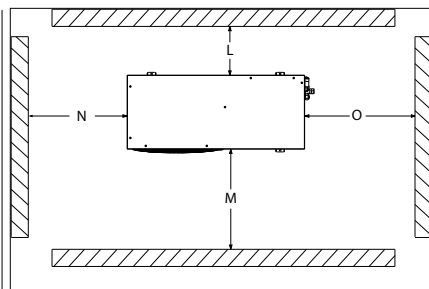
OP-LSQM / LSHM / MSXM / MSHM

MSGM / MSYM / MSBM

Typeplaatje

A	OP-MSXM068MLW05E			MADE IN INDIA
B	114X7068			
C	Application	MBP	IP 54	
D	Refrigerant	(1) R404A R507 R448A/R449A R407A/R407F/R452A	(2) R134a R513A	
E	M.W.P. HP	(1) 28 bar	(2) 23 bar	
	M.W.P. LP	(1) 7 bar	(2) 5 bar	
F	Voltage	230 V ~ 1N ~ 50Hz	Max Ref Qty 5.4 kg	
	LRA	60 A	MCC 19 A	
	OIL INSIDE	POE 46	RLA 8.3 A	
G	Serial No.	064119CG1517	PS _{HP} 28 bar	
	EAN No.	XXXXXXXXXXXXXXX		

Danfoss Ltd., 221 Mycumbro End, HPS 1NE, GB
Danfoss A/S, 6430 Nordborg, Denmark
Danfoss TOB s.r.l. Danfoss TOB 04080, Viale 80, n.c. 168, Spina



Afbeelding 1: Minimale montageafstanden

L [mm]	M [mm]	N [mm]	O [mm]
250	650	550	550

⚠ **Installatie en onderhoud van de koelgroep mag alleen worden uitgevoerd door deskundig personeel. Volg deze instructies en erkende koelpraktijken met betrekking tot installatie, ingebruikname, onderhoud en bediening.**

⚠ De koelgroep mag uitsluitend worden gebruikt waarvoor hij is ontworpen en binnen het toepassingsbereik.

⚠ De voorwaarden van EN378 (of andere geldende lokale veiligheidsvoorschriften) moeten onder alle omstandigheden worden nageleefd.

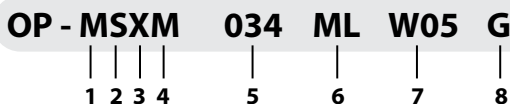
De koelgroep wordt geleverd met stikstofgas onder druk (1 bar) en mag daarom niet meteen worden aangesloten; raadpleeg het deel "Installatie" voor meer informatie.

Ga steeds voorzichtig om met de koelgroep in verticale positie (maximale uitwijking van de verticale positie: 15°)

* Kijk voor exacte waarden op het typeplaatje van de unit

- A: Model
- B: Codenummer
- C: Toepassing, Beschermingsgraad
- D: Koelmiddel
- E: Maximale werkdruk (Maximale bedrijfsdruk)
- F: Voedingsspanning, stroom bij geblokkeerde motor, maximaal optagen strøm
- G: Serienummer en barcode

Banaming voor de Optyma™ Slim Pack producten

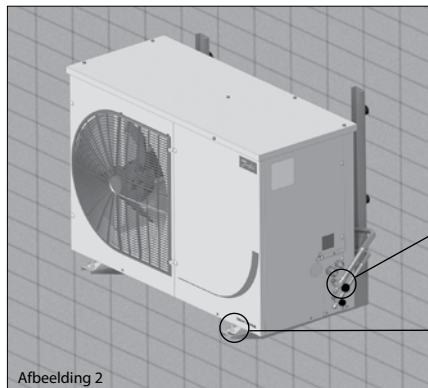


1	Toepassing M = MBP L = LBP
2	Pakket Condensorunitfamilie: S = Slim Pack
3	Koelmiddel H = R404A/R507 ; G = R134a, R513A ; Q = R452A, R404A/R507 X = R404A/R507, R134a, R407A, R407F, R448A, R513A, R449A, R452A ; Y = R404A/R507, R448A, R449A; B = R404A/R507, R449A, R452A; P = R448A/R449A, R407A/F, R404A/R507, O = R452A, R404A/R507, R448A, R449A
4	Condensor M = Warmtecondensor met microkanalen
5	Slagvolume Volume in cm ³ : Voorbeeld 034 = 34 cm ³
6	Compressorplatform MLZ, LLZ = Scrollcompressor MTZ & NTZ = Zuigercompressor
7	Versie W05/W09: Optyma™ Slim Pack
8	Spanningscode G = 230V/1-fase compressor & 230V/1-fase ventilator E = 230V/3-fase compressor & 230V/1-fase ventilator

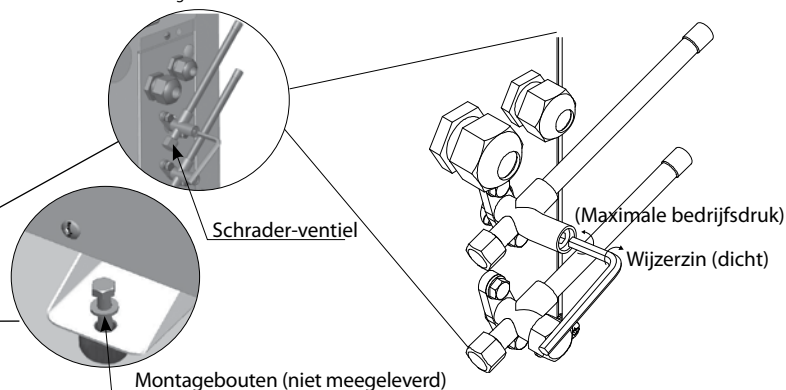
Versiecontrole

Optyma™ Slim Pack	W05	W09
IP-niveau	IP54	
Compressortechnologie	Scroll/Zuiger	
Schakelkast (voorbedraad elektrisch paneel)	Ja	
Condensor met microkanalen	Ja	
Ventilatorsnelheidsregelaar	-	Ja
Hoofdschakelaar	-	Ja
Filterdroger (flareaansluitingen)	Ja	
Kijkglas	Ja	
Carterverwarming	Ja	
Instelbare hogedruk/lagedrukpressostaat	Auto/Handmatige resetmodus	
Persgasthermostaat (voorziening)	Ja*	
HD/LD-alarm (voorziening)	Ja*	

Instructies



Afbeelding 3



1 – Inleiding

Deze instructies hebben betrekking op Optyma™ Slim Pack koelgroepen OP-LSHM/MSHM/MSGM/LSQM/MSXM/MSYM/MSBM (R448A, R449A, R452A, R407A, R407F, R507, R404A, R134a, R513A) welke worden gebruikt voor koeltechnische systemen. Ze bevatten de nodige informatie over de veiligheid en het correct gebruik van dit product.

De koelgroep bevat de volgende onderdelen:

- Scroll/zuigercompressor
- Warmtewisselaar met microkanalen
- Dubbele pressostataten
- Serviceventielen zuigzijde/vloeistofzijde
- Weersbestendige behuizing (IP 54)
- Filterdroger
- Carterverwarming voor compressor
- Vloeistofvat met afsluitventiel
- Kijkglas
- Fasesequentie relais (scrollcompressor)
- Volledig voorbedraad elektrisch paneel (inclusief hoofdschakelaar, compressoren, contactor, overbelastingrelais)
- Ventilatorsnelheidscontrole en externe hoofdschakelaar (alleen W09)

2 – Hanteren en opbergen

- Wij raden u aan de verpakking pas te openen als het apparaat zich in de ruimte bevindt waar u het wilt installeren.
- Ga voorzichtig om met het apparaat. Door de verpakking is het mogelijk een vorkheftruck of palletwagen te gebruiken. Gebruik geschikte en veilige hefapparatuur.
- Bewaar en transporteer het apparaat rechtopstaand.
- Bewaar het apparaat tussen -35 °C en 50 °C.
- Stel de verpakking niet bloot aan regen of een bijtende omgeving.
- Controleer na het uitpakken of het apparaat volledig en intact is.

3 – Voorzorgsmaatregelen bij de installatie

- ⚠ Soldeer niet zolang de koelgroep onder druk staat.
- ⚠ Gebruik het apparaat nooit in een ontvlambare atmosfeer.
- ⚠ Plaats het apparaat zodat het geen wandelzones, deuren ramen en dergelijke blokkeert of hindert.
- Zorg voor voldoende ruimte rond het apparaat voor luchtcirculatie en om deuren te kunnen openen. Zie afbeelding 1 voor de minimale afstanden tussen het apparaat en een muur.
- Vermijd installatie van het apparaat op een locatie waar het dagelijks langdurig wordt blootgesteld aan direct zonlicht.
- Vermijd installatie van het apparaat in corrosieve en stoffige omgevingen.

- Zorg voor een vlakke ondergrond (helling van minder dan 3 graden) die sterk en stabiel genoeg is om het gewicht van het apparaat te dragen en trillingen en storingen te elimineren.
- De omgevingstemperatuur rond het apparaat mag nooit meer dan 50 °C bedragen tijdens de uit-cyclus.
- Zorg ervoor dat de voeding overeenkomt met de eigenschappen van het apparaat (zie naamplaatje).
- Gebruik bij de installatie van de apparatuur voor HFK- of HFO-koelmiddelen uitsluitend apparatuur die geschikt is voor koelmiddelen en die nog nooit werd gebruikt voor CFK- of HCFC-koelmiddelen
- Gebruik schone en droge koperbuizen en soldeer materiaal van zilverlegering die geschikt zijn voor gebruik in koelsystemen.
- Gebruik schone en droge systeemonderdelen.
- De zuigleiding die wordt aangesloten op de compressor moet flexibel zijn in 3 richtingen om trillingen te dempen. Verder moeten de leidingen zo verlegd worden dat de olietrouw voor de compressor verzekerd is en het risico op vloeistofslag in de compressor geëlimineerd wordt

4 – Installatie

- De installatie waarin de koelgroep wordt geplaatst moet beantwoorden aan de EEG-richtlijn voor drukapparatuur (PED) nr. 97/23/EG. De koelgroep zelf is geen apparaat in de betekenis van deze richtlijn.
- Het apparaat moet goed worden geïnstalleerd op een stabiele en stevige basis, en van in het begin goed vaststaan. Zie afbeelding 2
- **Het wordt aanbevolen het apparaat op rubberen steunen of trillingsdempers te installeren (niet meegeleverd).**
- Laat langzaam de stikstofvulling vrij via het schraderventiel.
- Sluit het apparaat zo snel mogelijk aan op het systeem om vervuiling van de olie door vocht in de lucht te voorkomen.
- Zorg er bij het snijden van de buizen voor dat er geen materiaal in het systeem komt. Boor nooit gaten op plaatsen waar de bramen niet kunnen worden verwijderd.
- Soldeer voorzichtig, gebruik makende van de modernste technieken en ventileer de leidingen met stikstofgas.
- Sluit de vereiste veiligheids- en controleapparatuur aan. Als hiervoor het schraderventiel wordt gebruikt, verwijder dan het interne ventiel.
- Het wordt aanbevolen de zuigleiding tot aan de compressorinlaat te isoleren met 19 mm dikke isolatie.

5 – Lekdetectie

- ⚠ Zet het circuit nooit onder druk met zuurstof of

droge lucht. Dat kan brand of een ontploffing veroorzaken.

- Gebruik geen kleurstof voor lekdetectie.
- Voer een lekdetectietest uit op het volledige systeem.
- De maximale testdruk is 31*) bar.
- Als er een lek wordt ontdekt, moet dat lek worden hersteld en moet de lekdetectie worden herhaald.

*) 25 bar voor OP-.....AJ... en OP-.....FH... Modellen

6 – Vacuümdroging

- Gebruik de compressor nooit om het systeem leeg te maken.
- Sluit een vacuümpomp aan op zowel de LP- als de HP-zijde.
- Laat de druk van het systeem zakken tot een vacuüm van 500 µm Hg (0,67 mbar) absoluut.
- Gebruik geen MegOhmmeter en zet de compressor niet onder stroom terwijl hij vacuüm staat aangezien dat interne schade kan veroorzaken.

7 – Elektrische aansluitingen

- Schakel de hoofdvoeding uit en koppel haar volledig los.
- Zorg ervoor dat de voeding niet ingeschakeld kan worden tijdens de installatie.
- Alle elektrische onderdelen moeten worden gekozen op basis van de lokale normen en apparaatvereisten.
- Raadpleeg het elektrisch schema voor de details over de elektrische aansluitingen.
- Zorg ervoor dat de voeding overeenkomt met de eigenschappen van het apparaat en dat de voeding stabiel is (nominale spanning ±10% en nominale frequentie ±2,5 Hz).
- Dimensioneer de voedingskabels overeenkomstig de gegevens van het apparaat voor spanning en stroom.
- Beveilig de voeding en zorg voor een correcte aarding.
- Zorg ervoor dat de voeding afgestemd is op de lokale normen en wettelijke vereisten.
- Het apparaat is uitgerust met hoge- en lagedrukpressostataten, die de stroomtoevoer naar de compressor onmiddellijk afsluiten en geeft 230 V a.c. alarmsignalen (max. 50 VA) in geval van activering. Parameters voor hoge- en lagedrukuitschakeling moeten worden ingesteld door de installateur, rekening houdend met het compressormodel, koelmiddel en toepassing. Units met Danfoss MLZ en LLZ compressoren zijn ook uitgerust met fase-sequentie relais om de unit te beveiligen tegen faseverlies/sequentie/asymmetrie en onder-/overspanning.

Voor apparaten met een driefasige scrollcompressor moet de correcte fasevolgorde worden gerespecteerd om een juiste draairichting van

Instructies

de compressor te verkrijgen.

- Bepaal de fasevolgorde door een fasemeter te gebruiken om zo de fasevolgorde van de lijnfasen L1, L2 en L3 vast te stellen.
- Sluit de lijnfasen L1, L2 en L3 respectievelijk aan op de terminals T1, T2 en T3 van de voedingschakelaar.

8 – Beveiliging

Smeltveiligheid niet aanwezig in eenheid; vervangen door adapterplug.

Eenheid heeft vloeistofvat met adapterplug met 3/8» NPT aansluiting. Installateur/eindgebruiker kan kiezen uit meerdere opties zoals vermeld in EN378-2: 2016 Artikel § 6.2.2.3

- De unit/installatie waarin de unit is gemonteerd/geïntegreerd, moet aan de PED voldoen.
- Let op voor extreem hete en koude componenten.
- Let op voor bewegende componenten. Stroomtoevoer moet worden afgeschakeld tijdens onderhoud.

9 – Het systeem vullen

- Draag persoonlijke beschermingsmiddelen zoals een veiligheidsbril en werkhandschoenen.
- Start de compressor nooit onder een vacuüm. Laat de compressor uitgeschakeld.
- Controleer of het oliepeil tussen ¼ en ¾ van het compressoroliekielglas staat vooraleer koelmiddel te vullen. Als er meer olie nodig is, raadpleeg dan het compressorlabel voor het type olie.
- Gebruik enkel het koelmiddel waarvoor het apparaat is ontworpen.
- Vul het koelmiddel in vloeibare fase in de condensor- of vloeistofopening. Zorg ervoor dat het systeem traag wordt gevuld tot 4 – 5 bar voor R404A/R507A/R407A/R407F/R448A/R449A of R452A, en ong. 2 bar voor R134a/R513A.
- Vul geen vloeibaar koelmiddel bij via de zuigleiding.
- Het is niet toegelaten additieven bij de olie en/of het koelmiddel te mengen.
- De resterende vulling wordt pas toegevoegd wanneer de installatie een stabiel nominaal niveau heeft bereikt tijdens de werking.
- Laat de vulcilinder nooit zitten op het circuit.

10 – Controle voor ingebruikname

⚠ Gebruik veiligheidsapparatuur zoals een presostaat en een mechanische ontlastklep in overeenstemming met de geldende algemene en plaatselijke voorschriften en veiligheidsnormen. Zorg ervoor dat ze actief zijn en correct zijn ingesteld.

⚠ Controleer of de instellingen van hogedrukpressostaten en ontlastkleppen niet hoger zijn dan de maximale werkdruk van de systeemonderdelen.

- Controleer of alle elektrische verbindingen correct zijn aangesloten en voldoen aan de plaatselijke regelgeving.
- Als er een carterverwarming moet worden gebruikt, dan moet deze tenminste 12 uur voor de eerste opstart ingeschakeld worden en bij opstart na langdurige perioden van stilstand.

11 – Opstarten

- Start het apparaat nooit wanneer er geen koelmiddel gevuld is.
- Alle serviceventielen moeten in de open positie staan. Zie afbeelding 3.
- Controleer de overeenkomst tussen het apparaat en voeding.
- Controleer of de carterverwarming werkt.
- Controleer of de ventilator vrij kan draaien.
- Controleer of de beschermfolie van de achterkant van de condensor werd verwijderd.

- Brenge de HP/LP-druk in evenwicht.
- Bij het aanzetten van het apparaat moet deze meteen starten. Als de compressor niet start, controleer dan de bedrading, de spanning op de aansluitingen en de fasevolgorde.
- Mogelijke omgekeerde draairichting van een 3-fasige compressor kan worden gedetecteerd door de volgende kenmerken: de eenheid is uitgerust met een fase-omkerend relais en de compressor start niet, de compressor bouwt geen druk op, hij produceert abnormaal veel lawaai en verbruikt abnormaal weinig stroom. Schakel het apparaat in een dergelijk geval onmiddellijk uit en sluit de fases aan op de correcte aansluitklemmen.
- Wanneer de draairichting juist is, zal de lagedrukaanduiding op de regelaar (of lagedrukmeter) een afnemende druk aangeven en zal de hogedrukaanduiding (of hogedrukmeter) een toenemende druk aangeven.

12 – Controle met ingeschakeld apparaat

- Controleer de draairichting van de ventilator. De lucht moet van de condensor in de richting van de ventilator stromen.
- Controleer het stroomverbruik en de spanning.
- Controleer de oververhitting van de afzuiging om het risico op vloeistofslag te verminderen.
- Als er een kijkglas aanwezig is, observeer dan het oliepeil bij de start en tijdens de werking om te controleren of het oliepeil zichtbaar blijft.
- Respecteer de werkingslimieten.
- Controleer alle leidingen op abnormale trillingen. Bewegingen van meer dan 1,5 mm moeten worden gecorrigeerd, bijvoorbeeld met leidingbeugels.
- Voeg indien nodig extra koelmiddel in vloeibare fase toe aan de lagedrukszijde, zo ver weg van de compressor als mogelijk. De compressor moet draaien tijdens dit proces.
- Overlaad het systeem niet.
- Volg de lokale voorschriften voor het terugwinnen van het koudemiddel uit de unit.
- Laat nooit koelmiddel ontsnappen in de atmosfeer.
- Voer een algemene inspectie uit van de installatie voordat u de locatie verlaat en controleer op netheid, lawaai en lekken.
- Noteer het type en de hoeveelheid koelmiddel en ook de werkomstandigheden als referentie voor toekomstige inspecties.

13 – Onderhoud

⚠ Schakel het apparaat altijd uit met de hoofdschakelaar vooraleer het ventilatorpaneel te verwijderen.

⚠ De interne druk en de oppervlaktemperatuur zijn gevaarlijk en kunnen permanent letsel veroorzaken.

Onderhoudspersoneel en installateurs moeten over de nodige vaardigheden en het geschikte gereedschap beschikken. De leidingtemperatuur kan meer dan 100 °C bedragen en ernstige brandwonden veroorzaken.

⚠ Zorg voor periodieke onderhoudsinspecties om de betrouwbaarheid van het systeem te garanderen en te voldoen aan de plaatselijke voorschriften.

Om systeemgerelateerde problemen te voorkomen wordt het volgende periodieke onderhoud aanbevolen:

- Controleer van veiligheidsapparaten werken en correct zijn ingesteld.
- Het systeem controleren op lekken.
- Het stroomverbruik van de compressor controleren.
- Controleer of het systeem werkt op een manier die vergelijkbaar is met vorige onderhoudsverlagen en de omgevingsomstandigheden.

- Controleer of alle elektrische aansluitingen goed vastzitten.
- Het apparaat schoon houden en controleren of er geen roest en oxidatie aanwezig is op de onderdelen van de eenheid, de leidingen en de elektrische verbindingen.

De condensor moet ten minste één keer per jaar worden gecontroleerd op verstopping en indien nodig worden gereinigd. Toegang tot de binnenkant van de condensor gebeurt via het ventilatorpaneel. Microkanaalwarmtewisselaars hebben de neiging eerder vuil te verzamelen op hun oppervlak dan binnenin, waardoor ze gemakkelijker gereinigd kunnen worden dan warmtewisselaars bestaande uit koelvinnen en leidingen.

- Schakel het apparaat uit met de hoofdschakelaar vooraleer panelen van de koelgroep te verwijderen.
- Verwijder oppervlaktevuil, bladeren, vezels enz. met een stofzuiger uitgerust met een borstel of ander zacht opzetstuk. Als alternatief kunt u van binnen naar buiten perslucht door de warmtewisselaar blazen en die met een zachte borstel afborstelen. Gebruik geen metaalborstel. Stoot niet tegen de warmtewisselaar met de buis van de stofzuiger of met het opzetstuk, en schuur er niet tegen.

Wanneer het koelsysteem werd geopend moet het gespoeld worden met droge lucht of stikstof om het vocht te verwijderen en moet er een nieuwe filterdroger geïnstalleerd worden. Als er koelmiddel moet worden afgelaten, moet dit zo gebeuren dat het koelmiddel niet in de atmosfeer kan ontsnappen. Procedure verwijderen service paneel bij een W09 versie.



Stap 1: Schakel stroomtoevoer af. Zorg dat hoofdschakelaar op UIT staat voor het starten van het onderhoud.



Stap 2: Verwijder het bovenpaneel nadat u de schroeven ervan hebt losgedraaid.



Stap 3: Draai alle schroeven van het zijpaneel los.

Instructies



Stap 4: Verwijder het zijpaneel door het naar rechts te schuiven.

14 – Inbouwverklaring

• **Richtlijn drukapparatuur 2014/68/EU EN 378-2:2016** - Koelssystemen en warmtepompen

pen
- Veiligheids- en milieueisen-Deel 2: Ontwerp, constructie, testen, markering en documentatie Laagspanningsrichtlijn 2014/35/EU EN 60335-1:2012 + A11:2014- Huishoudelijke en gelijksoortige elektrische apparaten-Veiligheid-Deel 1: Algemene vereisten voor alle hierboven vermelde koelgroepen

Ecodesign-richtlijn 2009/125/EG obetreffende de totstandbrenging van een kader voor het vaststellen van eisen inzake ecologisch ontwerp voor energiegerelateerde producten. VERORDENING (EU) 2015/1095, tot uitvoering van Richtlijn 2009/125/EG inzake ecologisch ontwerp voor professionele koelbewaarkasten, snelkoelers/vriezers, koelgroepen en proceschillers.

• Prestatiemetingen van koelgroepen zijn uitgevoerd volgens de norm EN 13771-2:2007 – Compressoren voor koelmiddelen en koelgroepen
- Prestatiebeproeving en beproevingsmethoden
- Deel 2: Koelgroepen

15 - Waarborg

Vermeld altijd het modelnummer en serienummer bij het indienen van een claim over dit product.

De productwaarborg kan in de volgende gevallen vervallen:

- Afwezigheid van het naamplaatje.
- Externe wijzigingen; meer bepaald boren, lassen, gebroken steunvoet en schokmarkeringen.

- Compressor werd geopend of onverzegeld teruggestuurd.
- Roest, water of lekdetectiekleurstof in de compressor.
- Het gebruik van een koelmiddel of smeermiddel dat niet is goedgekeurd door Danfoss.
- Afwijkingen van de aanbevolen installatie-, toepassings- of onderhoudsinstructies.
- Het gebruik in mobiele toepassingen.
- Het gebruik in een omgeving met een explosieve atmosfeer.
- Geen modelnummer of serienummer vermeld op de waarborgclaim.

16 – Verwijderen



Danfoss raadt aan dat koelgroepen en olie worden gerecycled in en door een erkend bedrijf.

17 - Instelling ventilatortoerenregelaar voor R134a/R513A-koudemiddel

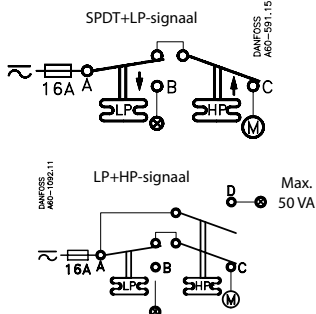
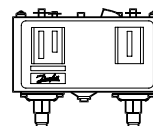
FSC-type	Ventilatortoerenregelaar Reserveonderdeelnummer	Letter koudemiddel	Voor koudemiddel	Fabrieksinstelling	Vereiste actie
 XGE-2C	061H3144	G	R134a/R513A	8 bar	360°=1 slag = ca. 0,8 bar (rechtsom draaien = drukinstelling verhogen, linksom draaien = drukinstelling verlagen)
	061H3248	Q	R404A/R452A/R507	15 bar	
		H	R404A/R507	15 bar	
		X	R404A/R507/R134a/R513A/ R407A/ R407F/R448A/R449A/R452A	15 bar	
		Y	R404A/R507/R449A	15 bar	
		B	R404A/R507/R448A/R449A/R452A	15 bar	
X	Bij gebruik van R134a als koudemiddel	15 bar	Draai de schroef 9 slagen linksom om 8 bar te bereiken		

* Installateur kan de vereiste instelling configureren in functie van de toepassing.

18 - Fabrieksinstellingen duopressostaat

Koelmiddelen	Hogedrukinstellingen (bar (g))		Lagedrukinstellingen (bar (g))	
	AAN	UIT	AAN	UIT
R404A/R507/R407A/R407F/R448A/R449A/R452A	23	27	2	1
R134a/R513A	13	17	2	1

KP17WB



Genoemde koelregelaar

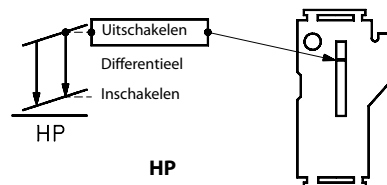
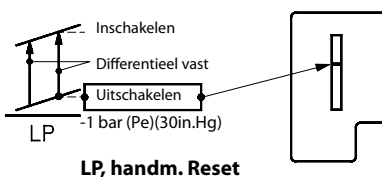
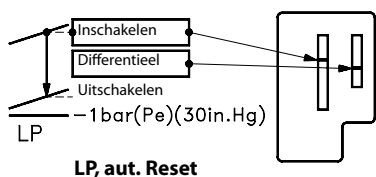
UL US 61B5

Contacten	Spanning		FL A	LR A	Weerstand. Belasting	Bewak- ingsrelais
	AC	DC				
A-B	240		8	48	8A	3A
A-C	120		16	96	16A	
A-D	240					12W
						50VA

Gebruik alleen koperdraad
Aandraaimoment 20 lb.in.

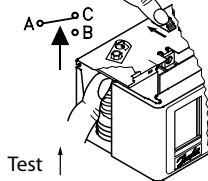
Bij gebruik volgens UL-regelgeving

LR 112A	AC1 10A	400 V	DC 11
	AC3 10A		12 W
	AC11 10A		220 V



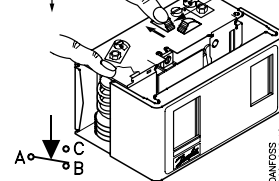
Handmatige test

Handmatige reset



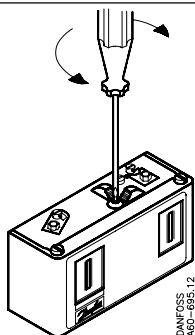
Test ↓

Handmatige reset



Instelbare reset

KP 17B 060-539366, 060-539466



LP diff.

360° ⊖ ⊕ =
0.15 bar (2psi)

LP
360° ⊕ ⊖ =
0.7 bar (10psi)

HP

360° ⊕ ⊖ =
2.3 bar (33.5psi)

6mm
(15/64 in)

DANFOSS AGO-595.16

Ohjeet

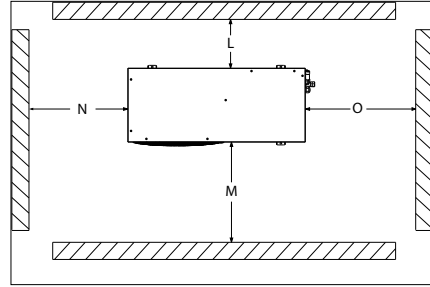
Optyma™ Slim Pack

OP-LSQM / LSHM / MSXM / MSHM
MSGM / MSYM / MSBM

Nimikilpi

A	OP-MSXM068MLW05E	
B	114X7068	MADE IN INDIA
C	Application MBP	IP 54
D	Refrigerant (1) R404A R507 R448A/R449A R407A/R407F/R452A	(2) R134a R513A
E	M.W.P. HP (1) 28 bar	(2) 23 bar
	M.W.P. LP (1) 7 bar	(2) 5 bar
F	Voltage 230 V ~ 1N ~ 50Hz	Max Ref Qty 5.4 kg
	LRA 60 A	MCC 19 A
	OIL INSIDE POE 46	RLA 8.3 A
		PS _{HP} 28 bar
G	Serial No. 064119CG1517	
	EAN No. xxxxxxxxxx	

Danfoss Ltd., 2279ycmbe Snd, 979 116, GB
Danfoss A/S, 6430 Nordborg, Denmark
langensvej 106 s 11 "Danfoss" 04090, Kalle 90, n/c 166, Ypälä



Kuva 1: Pienimmät asennusetäisyydet

L	M	N	O
[mm]	[mm]	[mm]	[mm]
250	650	550	550

⚠ Koneikkoja saavat asentaa ja huoltaa vain valtuutetut ammattilaiset. Noudata näitä ohjeita ja jäähdytystekniikkaa koskevia ammattikäytäntöjä tuotteen asennuksessa, käyttöönnotossa, kunnossapidossa ja huollossa.

⚠ Koneikkoa saa käyttää vain sille suunnitelluissa käyttökohteissa ja sallituissa käyttöolosuhteissa.

⚠ Kaikissa olosuhteissa on noudatettava SFS-EN 378 -standardin vaatimuksia tai muita voimassa olevia paikallisia turvallisuusmääräyksiä.

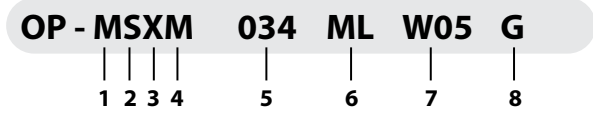
Koneikko toimitetaan typpikaasulla paineistettuna (paine 1 bar) eikä sitä siksi voi liittää suoraan. Lisätietoja on «asennus»-osiossa.

Koneikkoa on käsiteltävä varoen, ja se on pidettävä pystyasennossa (suurin sallittu poikkeama pystyasennosta: 15 °)

* Katso tarkat arvot yksikön tyypikilvestä

- A: Malli
- B: Koodinumero
- C: Sovellus, Suojaus
- D: Kylmäaine
- E: Maksimi käyttöpainet (Maksimikäyttöpainet)
- F: Syöttöjännite, LRA virta, suurin jatkuva virta
- G: Sarjanumero ja viivakoodi

Optyma™ Slim Pack -malliston nimeämisjärjestelmä

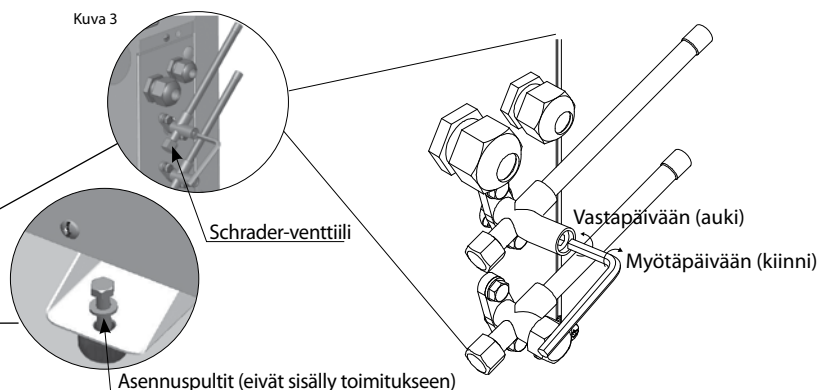
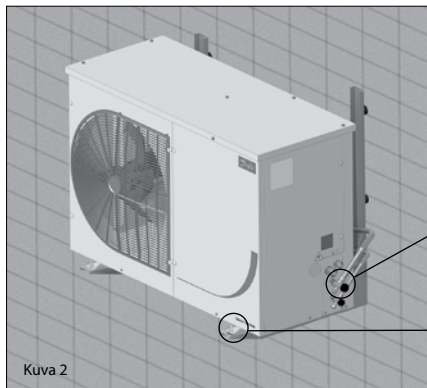


1	Käyttökohde M = MBP L = LBP
2	Pakkaus Koneikkosarja: S = Slim Pack
3	Kylmäaine H = R404A/R507 ; G = R134a, R513A ; Q = R452A, R404A/R507 X = R404A/R507, R134a, R407A, R407F, R448A, R513A, R449A, R452A ; Y = R404A/R507, R448A, R449A; B = R404A/R507, R449A, R452A; P = R448A/R449A, R407A/F, R404A/R507, O = R452A, R404A/R507, R448A, R449A
4	Lauhdutin M = Mikrokanavalämmönsiirrin
5	Iskutilavuus Iskutilavuus, cm ³ : Esimerkki 034 = 34 cm ³
6	Kompressorityyppi MLZ, LLZ = Scroll-kompressori MTZ ja NTZ = Mäntäkompressori
7	Versio W05/W09: Optyma™ Slim Pack
8	Jännitekoodi G = 230V/1-vaihekompressori ja 230V/1-vaihepuhallin E = 400V/3-vaihekompressori ja 230V/1-vaihepuhallin

Version ohjaus

Optyma™ Slim Pack	W05	W09
IP-taso	IP54	
Kompressoritekniikka	Scroll-kompressori/ Mäntäkompressori	
Ohjauskeskus (esijohdotettu E-paneeli)	kyllä	
Mikrokanavalauhdutin	kyllä	
Puhaltimen pyörimisnopeuden säädin	-	kyllä
Pääkytkin (suojakytkin)	-	kyllä
Suodatinkuivain (laippaliitännät)	kyllä	
Nestelasi	kyllä	
Kampikammion lämmitin	kyllä	
HP/LP säädettävä painekytkin	Autom./Manuaalinen kuittaustila	
Purkauskaasutermostaatti (valmius)	kyllä*	
HP/LP-hälytys (valmius)	kyllä*	

Ohjeet



1 – Johdanto

Nämä ohjeet koskevat jäähdytysjärjestelmissä käytettäviä OptyMa™ Slim Pack OP-LSHM/MSHM/MSGM/LSQM/MSXM/MSYM/MSBM-koneikkoja (R448A, R449A, R452A, R407A, R407F, R507, R404A, R134a, R513A). Ohjeet sisältävät tuotteen turvallista ja asianmukaista käyttöä varten tarvittavat tiedot.

Koneikkoon kuuluvat seuraavat osat:

- Scroll-/mäntäkompressori
- Mikrokanavalämmönsiirrin
- Kaksoispainekyllin
- Käyttöventtiilit imu- ja nesteliitäntälle
- Säänkestävä kotelo (IP 54)
- Suodatinkuivain
- Kompressorin kampikammion lämmitin
- Varaaja jossa sulkuventtiili
- Nestelasi
- Vaihevahti (scrollkompressori)
- Valmiiksi johdotettu sähköpaneeli (sisältää pääkytkimen, kompressoreiden kytkimet ja ylikuormitusreleen)
- Puhaltimen pyörimisnopeuden säädin ja ulkoinen pääkytkin (vain W09)

2 – Käsittele ja säilytys

- Pakkauksen avaamista ei suositella, ennen kuin laite on lopullisessa asennuspaikassaan.
- Käsittele koneikkoa varoen. Pakkaus mahdollistaa trukin tai kuormalavanostimen käytön. Käytä asianmukaisia ja turvallisia nostolaitteita.
- Säilytä ja siirrä koneikkoa pystyasennossa.
- Säilytä koneikkoa -35 – +50 °C:een lämpötilassa.
- Älä altista pakkausta sateelle tai syövyttävälle olosuhteille.
- Kun koneikko on purettu pakkauksesta, tarkista, että kaikki osat ovat mukana eikä laite ole vaurioitunut.

3 – Asennuksen varotoimenpiteet

- ⚠ Älä juota, kun koneikko on paineistettuna.
- ⚠ Älä koskaan käytä koneikkoa ympäristössä, jossa on syttymisvaara.
- ⚠ Sijoita koneikko niin, ettei se estä pääsyä kulkureitteihin, oviin, ikkunoihin tai vastaaviin.

- Koneikon ympärille on jätettävä riittävästi tilaa ilmanvaihtoa ja luukkujen avaamista varten. Katso minimietäisyydet seiniin kuvasta 1.
- Vältä koneikon asentamista paikkoihin, jotka ovat päivittäin pitkään alttiina suoralle auringonpaisteelle.
- Vältä koneikon asentamista syövyttävään tai pölyiseen ympäristöön.

- Sijoita koneikko vaakasuuntaiselle alustalle (kallistus alle 3 °), joka kantaa tukevasti koneikon koko painon ja poistaa tärinät ja häiriöt.
- Koneikon ympäristön lämpötila ei saa nousta yli 50 °C:seen lepojaksen aikana.
- Tarkista, että virransyöttö vastaa koneikon vaatimuksia (katso tyypikilpi).
- Käytä HFC- tai HFO -kylmäaineiden asennuksessa varusteita, jotka on nimennomaisesti tarkoitettu HFC tai HFO -kylmäaineita varten ja joita ei ole koskaan käytetty CFC- tai HCFC-kylmäaineille.
- Käytä puhtaita ja täysin kuivia kylmäaineluokan kupariputkia ja hopeaseosta kovajuotoksiin.
- Käytä vain puhtaita ja täysin kuivia järjestelmäosia.
- Kompressoriin kiinnitettävän imuputkiston on oltava joustava kolmeen suuntaan tärinän vaimentamiseksi. Putkistossa tulee ottaa huomioon öljyn palautuminen kompressorille ja nesteiskujen välttäminen.

4 – Asennus

- Koneikon asennus täytyy tehdä ETY:n painelaitteidirektiivin (PED) nro 97/23/EY mukaisesti. Koneikko itse ei ole tässä direktiivissä käsitelty "yksikkö".
- Koneikko täytyy asentaa turvallisesti vakaalle ja tukevalle alustalle ja kiinnittää heti. Katso kuva 2.
- **Koneikko suositellaan asennettavaksi kumisille läpivientirenkaille tai tärinänvaimentimille (eivät sisälly toimitukseen).**
- Vapauta hitaasti typpikaasu Schrader-venttiilin kautta.
- Kytke koneikko järjestelmään mahdollisimman pian, jottei öljy saastu ympäristön kosteudesta.
- Varo, ettei järjestelmään joudu vieraita materiaaleja, kun leikkaat putkia. Älä koskaan poraa reikiä kohtiin, joista ei voida poistaa porausjätteitä.
- Noudata kovajuotoissa suurta varovaisuutta, käytä uuden aikaista tekniikkaa ja tyyppiä suoja-kaasuna.
- Kytke tarvittavat varo- ja ohjauslaitteet. Jos siihen käytetään Schrader-venttiiliä, poista sisäinen venttiili.
- Imuputki suositellaan eristettäväksi kompressorin imuliitäntään asti 19 mm paksulla eristeellä.

5 – Vuotojen tarkistus

- ⚠ Älä koskaan paineista järjestelmää hapella tai kuivalla ilmalla. Se voi aiheuttaa tulipalo- tai räjähdysvaaran.
- Älä käytä väriainetta vuotojen etsimiseen.
- Suorita vuotojen tarkistustestaus koko järjestelmälle.
- Suurin testauspaine on 31^{*)} baaria.

- Kun löydät järjestelmästä vuodon, korjaa vuotokohta ja suorita uusi tarkistustestaus.
- *) 25 baaria; OP-.....AJ.... & OP-.....FH.... -mallit*

6 – Tyhjiön muodostaminen

- Älä koskaan käytä kompressoria järjestelmän tyhjentämiseen kaasusta.
- Kytke tyhjiöpumppu sekä korkea- että matalapainepuolelle.
- Tyhjennä järjestelmä niin, että absoluuttinen paine on alle 500 µm Hg (0,67 mbar).
- Älä käytä megaohmimittaria tai kytke kompressoriin virtaa tyhjiön alaisena, jottei kompressori vaurioiduu.

7 – Sähkökytkennät

- Katkaise virta ja irrota järjestelmä päävirtalähteestä.
- Varmista, ettei sähkövirta pääse kytkeytymään päälle asennuksen aikana.
- Kaikki sähköosat on valittava paikallisten määräysten ja koneikkoa koskevien vaatimusten mukaisesti.
- Katso liitännät kytkentäkaaviosta.
- Varmista, että sähkövirta vastaa koneikon ominaisuuksia ja että virransyöttö on vakaa (nimellisjännite ±10 % ja nimellistaajuus ±2,5 Hz).
- Mitoita syöttökaapelit koneikon jännite- ja virtatietojen mukaan.
- Suojaa sähköön syöttö ja varmista oikea maadoitus.
- Varmista, että virransyöttö noudattaa paikallisia voimassa olevia normeja ja lakeja.
- Yksikössä on korkea- ja matalapainekyllin, jotka aktivoituessaan katkaisevat kompressorin virransyötön välittömästi ja tuottavat 230 V AC:n hälytysignaalin (maks. 50 VA). Asentaja määrittää korkea- ja matalapaineyksikön virransyötön parametrit kompressorin mallin, kylmäaineen ja käyttökohteen mukaan. Danfossin MLZ- ja LLZ- kompressoreilla varustetuissa yksiköissä on lisäksi vaihevahti, joka suojaa kokoonpanoa vaiheiden puuttumiselta/epäsymmetriseltä jännitteeltä sekä ali-/ylijännitteeltä.
- Koneikoissa, joissa on 3-vaiheinen scroll-kompressori, on noudatettava oikeaa vaihejärjestystä, jotta kompressorin pyörintäsuunta on oikea.
- Selvitä vaiheiden L1, L2 ja L3 järjestys vaihemittarilla.
- Kytke vaiheet L1, L2 ja L3 pääkytkimen vastaaviin liittimiin T1, T2 ja T3.

8 – Turvallisuus

Yksikköön ei sisälly lämpösulakkeella varustettua tulppaa, sen tilalla on sovitintulppa.

Yksikössä on nestevaraaja, jossa on 3/8» NPT-

Ohjeet

liitännällä varustettu sovitintulppa. Asentaja/loppukäyttäjä voi valita haluamansa vaihtoehdon standardin EN378-2 kuvaamalla tavalla: 2016 artikla § 6.2.2.3

- Yksikön/kokoonpanon, johon koneikko asennetaan/integroidaan, on täytettävä PED:n vaatimukset.
- Varo erittäin kuumia ja kylmiä komponentteja.
- Varo liikkuvia komponentteja. Virransyöttö on katkaistava huollon ajaksi.

9 – Järjestelmän täyttäminen

- Käytä suojavarusteita, kuten suojalaseja ja suojakäsineitä.
- Älä koskaan käynnistä kompressoria alipaineisena. Pidä kompressorin virta katkaistuna.
- Varmista ennen kylmäaineen täyttöä, että öljyn pinta on nestelasissa merkintöjen ¼ ja ¾ välillä. Jos öljyä pitää lisätä, tarkista kompressorin tarrasta öljyn tyyppi.
- Käytä vain tälle koneikolle tarkoitettua kylmäainetta.
- Täytä lauhdutin tai varaaja nestemäisellä kylmäaineella. Täytä koneisto hitaasti 4–5 baariin, jos kylmäaine on R404A/R507A/R407A/R407F/R448A/R449A/R452A, ja noin 2 baariin, jos kylmäaine on R134a/R513A.
- Älä täytä nestemäistä kylmäainetta imulinjaan.
- Öljyn ja/tai kylmäaineeseen ei saa sekoittaa lisäaineita.
- Täytön ”hienosäätö” tehdään, kun koneisto toimii tasaisesti mitoitusolosuhteissa.
- Älä koskaan jätä täyttösynteriä kytketyksi piiriin.

10 – Ennen käyttöönottoa tehtävät tarkistukset

- △ Käytä turvalaitteita, kuten turvapäinekytkintä ja mekaanista varoventtiiliä, yleisten ja paikallisesti sovellettavien turvamääräysten mukaisesti. Varmista, että turvalaitteet ovat toimintakunnossa ja että niiden säädöt ovat oikein.
- △ Tarkista, että turvakytkimien ja varoventtiilien asetukset eivät ylitä minkään järjestelmäkomponentin suurinta sallittua käyttöpainetta.
- Tarkista, että kaikki sähkökytkennät on kiinnitetty kunnolla paikallisten määräysten mukaisesti.
- Jos järjestelmässä tarvitaan kampikammion lämmitintä, lämmitin on kytkettävä päälle vähintään 12 tuntia ennen ensimmäistä käynnistystä ja aina ennen pitkäkestoisen seisontajakson jälkeen tapahtuvaa käynnistystä.

11 – Käynnistys

- Älä koskaan käynnistä kompressoria, jos siinä ei ole kylmäainetta.
- Kaikkien käyttöventtiilien on oltava avoinna. Katso kuva 3.
- Tarkista koneikon ja sähkösyötön yhteensopivuus.
- Tarkista, että kampikammion lämmitin toimii.
- Tarkista, että lauhdutinpuhallin pyörii vapaasti.
- Tarkista, että suojalevy on poistettu lauhduttimen takaa.
- Tasaa korkea- ja matalapainepuolen paineet.
- Kytke kompressoriin jännite. Kompressorin pitäisi käynnistyä välittömästi. Jos kompressori ei käynnisty, tarkista johtojen kytkentä, liittimien jännite ja vaihejärjestys.
- Seuraavista merkeistä huomaa, että 3-vaiheinen kompressori pyörii väärään suuntaan: laite on varustettu vaihesiirtymää mittaavalla releellä ja kompressori ei käynnisty, kompressori ei kehitä painetta, laite pitää tavallista kovempaa ääntä ja se kuluttaa tavallista vähemmän sähköä. Jos kompressori pyörii väärään suuntaan, sammuta koneikko heti ja kytke vaiheet oikeisiin liittimiin.
- Jos pyörimissuunta on oikea, matalapainemitta-

rin lukeman pitäisi laskea ja korkeapainemittarin lukeman nousta.

12 – Käynnissä olevaa koneikkoa koskevat tarkistukset

- Tarkista lauhdutinpuhallimen pyörimissuunta. Ilman tulee virrata lauhduttimesta puhallinta kohti.
- Tarkista virranotto ja jännite.
- Pienennä nesteiskujen vaaraa tarkistamalla imun höyryn tulistus.
- Jos kompressorissa on nestelasi, tarkista öljyn määrä käynnistykseen yhteydessä ja käytön aikana varmistaaksesi, että öljyn määrä näkyy lasissa.
- Noudata käyttörajoituksia.
- Tarkista kaikki putket poikkeavan tärinän varalta. Yli 1,5 mm:n liike edellyttää korjaavia toimia, kuten putkikiinnikkeitä.
- Nestemäistä kylmäainetta voidaan tarvittaessa lisätä matalapainepuolelle mahdollisimman kauas kompressorista. Kompressorin on tällöin oltava käynnissä.
- Älä ylitä järjestelmää.
- Noudata paikallisia määräyksiä jäähdytysaineen talteenotosta yksiköstä.
- Älä koskaan vapauta kylmäainetta ilmakehään.
- Tee ennen asennuspaikalta poistumista yleinen siisteyttä, melua ja vuotoja koskeva tarkistus.
- Kirjaa kylmäaineen tyyppi ja täytös sekä käyttöolosuhteet muistiin myöhempiä huoltokäyntejä varten.

13 – Kunnossapito

- △ Pysäytä koneikko pump-down menetelmällä ja katkaise virta pääkytkimestä ennen puhaltimen paneelin irrotusta.
- △ Sisäinen paine ja pintalämpötila ovat vaarallisen korkeita ja voivat aiheuttaa pysyviä vammoja. Huolto- ja asennushenkilöstöllä on oltava asianmukainen ammattitaito ja tarvittavat työkalut. Putkiston lämpötila voi ylittää 100 °C ja aiheuttaa vakavia palovammoja.
- △ Varmista, että järjestelmän luotettavan toiminnan takaavat määräaikaistarkistukset suoritetaan paikallisten määräysten mukaisesti. Järjestelmään liittyvien kompressoriongelmien välttämiseksi seuraavat määräaikaistarkistukset ovat suositeltavia:
- Varmista, että turvalaitteet ovat toimintakunnossa ja että niiden säädöt ovat oikein.
- Tarkista, ettei järjestelmässä ole vuotoja.
- Tarkista kompressorin virranotto.
- Tarkista, että järjestelmä toimii aiempien huoltokirjausten ja ympäristöolosuhteiden mukaisesti.
- Tarkista, että kaikki sähköliitokset ovat edelleen vahingoittumattomia.
- Pidä koneikko puhtaana ja tarkista, ettei koneikon ulkokuoressa, putkistossa tai sähköliitoksissa ilmene ruostetta tai hapettumia.

Lauhduin on tarkistettava vähintään kerran vuodessa tukkeutumisen varalta ja puhdistettava tarvittaessa. Lauhduttimen sisäpuoleen pääsee käsiksi puhaltimen paneelin kautta. Mikrokanavälämmönsiirtimiin kertyy yleensä enemmän likaa pinnalle kuin sisään, joten ne on helpompi puhdistaa kuin lamellilämmönsiirtimet.

- Pysäytä koneikko pump-down menetelmällä ja katkaise virta pääkytkimestä ennen kuin irrotat ainuttakaan koneikon paneelia.
- Poista pinnalta lika, lehdet, kuidut jne. pölynimurilla (käytä harjalla tai muulla pehmeällä materiaalilla varustettua suulaketta). Vaihtoehtoi-

sesti voit puhalttaa paineilmaa kennon läpi sisältä ulos ja harjata pehmeäharjaisella harjalla. Älä käytä metallilankaista harjaa. Älä kolauta äläkä naarmuta kennoa imurin putkella tai ilmasuuttimella.

Jos kylmäainejärjestelmä on avattava, järjestelmä on huuhdeltava kuivalla ilmalla tai typpellä kosteuden poistamiseksi, ja on asennettava uusi suodatinkuivain. Jos kylmäaine on poistettava, se on tehtävä niin, ettei kylmäainetta pääse ympäristöön.

Huoltopanelin irrottaminen W09 versiosta.



1. vaihe: Katkaise virransyöttö. Varmista, että pääkytkin on off-tilassa ennen huoltoa.



2. vaihe: Poista kaikki yläpaneelin ruuvit ja irrota sitten yläpaneeli.



3. vaihe: Irrota kaikki sivupaneelin ruuvit.



4. vaihe: Irrota pääkytkimen rinnalla oleva sivupaneeli.

Ohjeet

14 – Liittämiskäyttö

• **Painelaitedirektiivi 2014/68/EU EN 378-2:2016** - Kylmäkoneistot ja lämpöpumput – Turvallisuus- ja ympäristövaatimukset – Osa 2: Suunnittelu, rakenne, testaus, merkintä ja dokumentointi.

Pienjännitedirektiivi 2014/35/EU EN 60335-1:2012 + A11:2014 - Kotitaloussähkölaitteiden ja vastaavien turvallisuus - Osa 1: Yleiset vaatimukset – kaikille edellä mainituille lauhdutusyksiköille.

Ekologisesta suunnittelusta annettu direktiivi 2009/125/EY, joka asettaa puitteet energiaan liittyvien tuotteiden ekologiselle suunnittelulle asetettaville vaatimuksille.

Ammattikäyttöön tarkoitettuja kylmä- ja pakastekaappeja, pikajäähdytyskaappeja, koneikkoja ja prosessijäähdytyslaitteita koskeva ASETUS (EU) 2015/1095, jolla pannaan täytäntöön

ekosuunnitteludirektiivi 2009/125/EY.

• Koneikkojen mittaukset tehdään standardin EN 13771-2:2007 mukaisesti – Kompressorit ja koneikot jäähdytystehon testaukseen ja testimenetelmät - osa 2: Koneikot

15 – Takuu

Ilmoita aina malli- ja sarjanumero, kun jätät tuotetta koskevan korvausvaateen.

Tuotteen takuu saattaa raueta seuraavissa tapauksissa:

- Tyypikkilpi puuttuu.
- Tuotteeseen tehty ulkoisia muutoksia: sitä on esimerkiksi porattu, juotettu, kolhittu tai sen jalvoja on vaurioitettu.
- Kompressorit on avattu tai palautettu sene toimittomana.
- Kompressorin sisällä on ruostetta, vettä tai

vuotojen tarkistamiseen käytettyä väriainetta.

- On käytetty muuta kuin Danfossin hyväksymää kylmäainetta tai voiteluainetta.
- Asennus-, käyttö- tai huolto-ohjeiden noudattaminen on jollakin tavalla laiminlyöty.
- Kompressorit on käytetty liikkuvissa sovelluksissa.
- Kompressorit on käytetty ympäristössä, jossa on räjähdysvaara.
- Takuuvaateen yhteydessä ei ole ilmoitettu mallinumeroa tai sarjanumeroa.

16 – Hävittäminen



Danfoss suosittelee, että asianmukainen yritys huolehtii koneikkojen ja öljyn kierrättämisestä asennuspaikalla.

17 - Puhaltimen pyörimisnopeuden säätimen asettelu R134a/R513A:lle

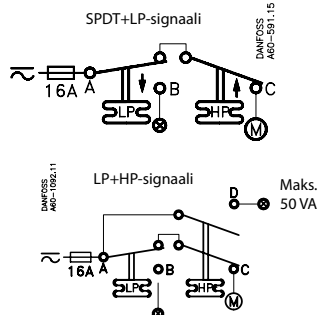
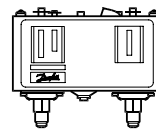
Säätimen tyyppi	Puhaltimen pyörimisnopeuden säädin Varaosanumero	Kylmäaineen kirjain	Kylmäaineelle	Tehdasasetus	Tarvittava toimenpide
 XGE-2C	061H3144	G	R134a/R513A	8 bar	«360 astetta = 1 kierros = 0.8 bar (Kiertäminen vastapäivään = lisää paineen asetusta. Kiertäminen myötäpäivään = laskee paineen asetusta)
	061H3248	Q	R404A/R452A/R507	15 bar	
		H	R404A/R507	15 bar	
		X	R404A/R507/R134a/R513A/ R407A/ R407F/R448A/R449A/R452A	15 bar	
		Y	R404A/R507/R449A	15 bar	
		B	R404A/R507/R448A/R449A/R452A	15 bar	
X	Jos kylmäainetta R134a käytetään	15 bar	Kierrä ruuvia 9 kierrosta vastapäivään, jolloin asetus on 8 bar		

* Asentaja voi asettaa tarvittavan asetuksen sovelluskohtaisesti.

18 - Kaksoispainekytimen tehdasasetukset

Kylmäaineet	Korkeapainasetukset (baaria (g))		Matalapainasetukset (bar (g))	
	Päälle	OFF (pois)	Päälle	OFF (pois)
R404A/R507/R407A/R407F/R448A/R449A/R452A	23	27	2	1
R134a/R513A	13	17	2	1

KP17WB



Jäähdytyksen ohjaus

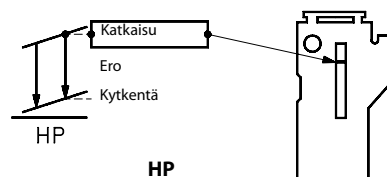
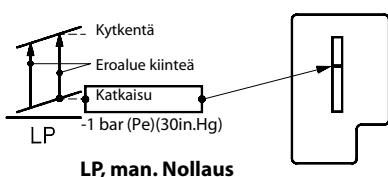
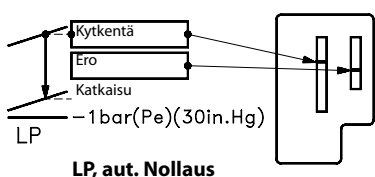
UL US 61B5

Koskettimet	Jännite		FL A	LR A	Vastuksen kuorma	Pilot- tikäyttö
	AC	DC				
A-B	240		8	48	8A	3A
A-C	120		16	96	16A	
A-D	240					12W
						50VA

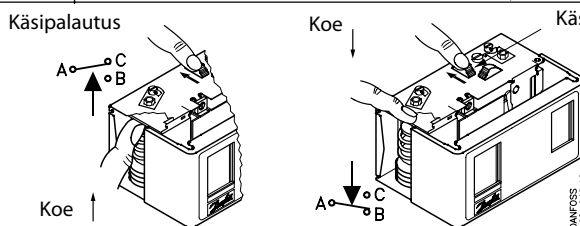
Käytä ainoastaan kuparilankaa
Kiristysmomentti 2,26 Nm (20lb.in.)

Käytettäessä UL-säädösten mukaisesti

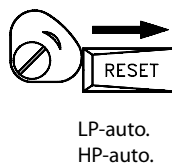
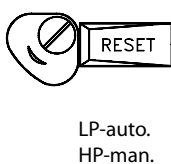
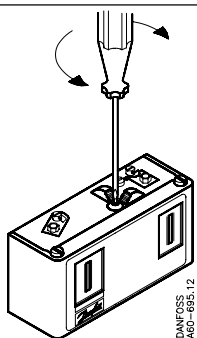
LR 112A	AC1 10A	400 V	DC 11
	AC3 10A		12 W
	AC11 10A		220 V



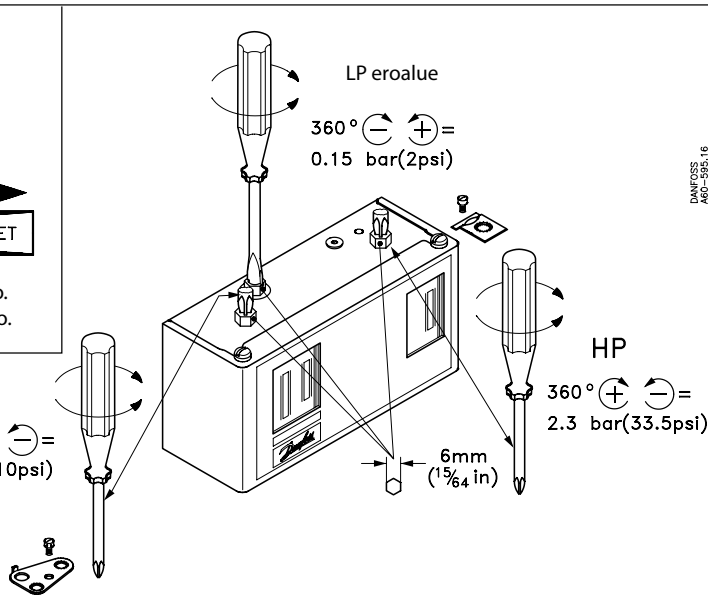
Manuaalinen testi



Muunneltava nollaus
KP 17B 060-539366, 060-539466



LP
360° ⊕ ⊖ =
0.7 bar(10psi)



Οδηγίες

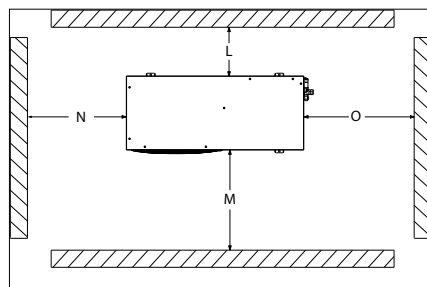
Optyma™ Slim Pack

OP-LSQM / LSHM / MSXM / MSHM
MSGM / MSYM / MSBM

Ενδεικτική πινακίδα

A	OP-MSXM068MLW05E		 MADE IN INDIA
B	114X7068		
C	Application	MBP	IP 54
D	Refrigerant	(1) R404A R507 R448A/R449A R407A/R407F/R452A	(2) R134a R513A
E	M.W.P. HP	(1) 28 bar	(2) 23 bar
	M.W.P. LP	(1) 7 bar	(2) 5 bar
F	Voltage	230 V ~ 1N ~ 50Hz	Max Ref Qty 5.4 kg
	LRA	60 A	MCC 19 A
	OIL INSIDE	POE 46	RLA 8.3 A
G	Serial No.	064119CG1517	PS HP 28 bar
	EAN No.	XXXXXXXXXXXXXX	

Danfoss Ltd., 22 Wycombe End, HP9 1NB, GB
 Importeur: TOB s.r.l. "Danfoss TOB" 04080, Katis 80, r/c 168, Υπάτης
 Danfoss A/S, 6430 Nordborg, Denmark
 11809415



Εικόνα 1 : Ελάχιστες αποστάσεις τοποθέτησης

L [mm]	M [mm]	N [mm]	O [mm]
250	650	550	550

⚠ Η εγκατάσταση και το σέρβις των μονάδων συμπίκνωσης διενεργούνται μόνο από κατάλληλα εκπαιδευμένο προσωπικό. Ακολουθήστε αυτές τις οδηγίες και την ορθή πρακτική ψυκτικής μηχανικής σε σχέση με την εγκατάσταση, τη θέση σε λειτουργία, τη συντήρηση και το σέρβις.

⚠ Η μονάδα συμπίκνωσης πρέπει να χρησιμοποιηθεί μόνο για τον σκοπό (τους σκοπούς) για τον οποίο έχει σχεδιαστεί και εντός του εύρους εφαρμογής της.

⚠ Υπό όλες τις περιστάσεις, θα πρέπει να ικανοποιούνται οι απαιτήσεις του προτύπου EN378 (ή άλλου ισχύοντος τοπικού κανονισμού ασφαλείας).

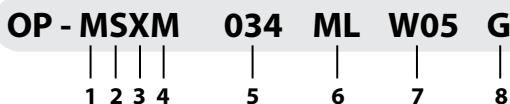
Η μονάδα συμπίκνωσης παραδίδεται υπό πίεση αερίου αζώτου (1 bar) και ως εκ τούτου δεν μπορεί να συνδεθεί ως έχει. Ανατρέξτε στην ενότητα «εγκατάσταση» για περισσότερες λεπτομέρειες.

Ο χειρισμός της μονάδας συμπίκνωσης πρέπει να γίνεται με προσοχή στην κάθετη θέση (μέγιστη απόκλιση από την κατακόρυφο: 15°)

* Για τις ακριβείς τιμές ανατρέξτε στην πινακίδα τύπου της μονάδας

- A: Μοντέλο
- B: Κωδικός αριθμός
- C: Εφαρμογή, Προστασία
- D: Ψυκτικό
- E: Πίεση Λειτουργίας Περιβλήματος (Μέγιστη πίεση λειτουργίας)
- F: Τάση παροχής, Ρεύμα Ακίνητοποιημένου Δρομέα, Μέγιστο συνεχές ρεύμα
- G: Σειριακός Αριθμός και γραμμικός κωδικός

Σύστημα ονομασιών της γκάμας Optyma™ Slim Pack

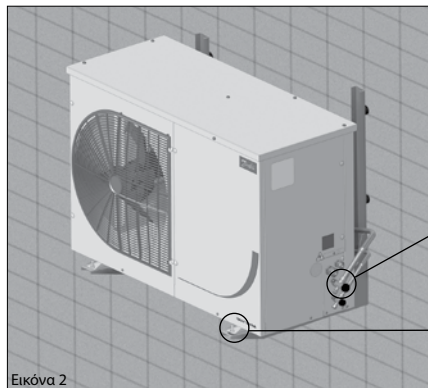


1	Εφαρμογή M = MBP L = LBP
2	Πακέτο Οικογένεια μονάδων συμπίκνωσης: S = Slim Pack
3	Ψυκτικό H = R404A/R507 ; G = R134a, R513A ; Q = R452A, R404A/R507 X = R404A/R507, R134a, R407A, R407F, R448A, R513A, R449A, R452A ; Y = R404A/R507, R448A, R449A; B = R404A/R507, R449A, R452A; P = R448A/R449A, R407A/F, R404A/R507, O = R452A, R404A/R507, R448A, R449A
4	Συμπυκνωτής M = Συμπυκνωτής θερμότητας μικροκαναλιού
5	Όγκος σάρωσης Μετατόπιση σε cm ³ : Παράδειγμα 034 = 34 cm ³
6	Πλατφόρμα συμπίεστη MLZ, LLZ = Σπειροειδής συμπίεστης (scroll) MTZ & NTZ = Εμβολοφόρος συμπίεστης
7	Έκδοση W05/W09: Optyma™ Slim Pack
8	Κωδικός τάσης G = 1-φασικός συμπίεστης 230 V και 1-φασικός ανεμιστήρας 230 V E = 3-φασικός συμπίεστης 400 V και 1-φασικός ανεμιστήρας 230 V

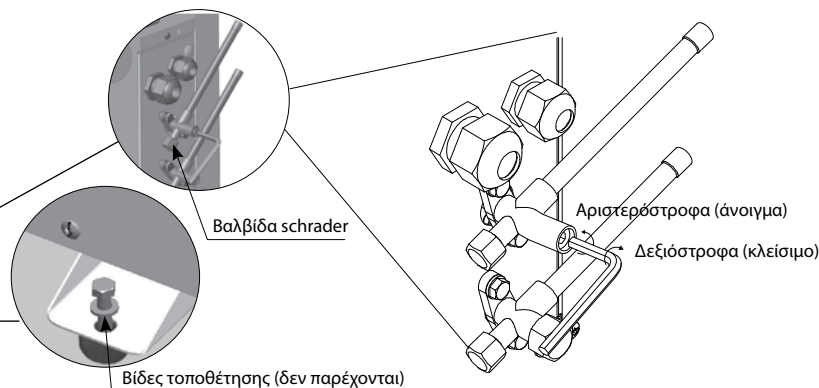
Έλεγχος έκδοσης

Optyma™ Slim Pack	W05	W09
Επίπεδο IP	IP54	
Τεχνολογία συμπίεστη	Σπειροειδής (scroll)/Εμβολοφόρος	
Πίνακας ελέγχου (προκαλωδιωμένο ηλεκτρικό πάνελ)	ναι	
Συμπυκνωτής τύπου μικροκαναλιού (microchannel)	ναι	
Ελεγκτής ταχύτητας ανεμιστήρα	-	ναι
Κύριος διακόπτης (ασφαλειοδιακόπτης)	-	ναι
Ξηραντήρας φίλτρου (συνδέσεις μέσω διαστολής)	ναι	
Υαλοδείκτης	ναι	
Θερμαντήρας στροφαλοθαλάμου	ναι	
Ρυθμιζόμενος πιεζοστάτης υψηλής/χαμηλής πίεσης	Αυτόματο/Λειτουργία χειροκίνητης επαναφοράς	
Θερμοστάτης εκκένωσης αερίου (παροχή)	ναι*	
Συναγερμός υψηλής/χαμηλής πίεσης (παροχή)	ναι*	

Οδηγίες



Εικόνα 3



1 – Εισαγωγή

Αυτές οι οδηγίες αφορούν τις μονάδες συμπύκνωσης Orpyma™ Slim Pack OP-LSHM/MSHM/MSGM/LSQM/MSXM/MSYM/MSBM (R448A, R449A, R452A, R407A, R407F, R507, R404A, R134a, R513A) που χρησιμοποιούνται για ψυκτικά συστήματα. Παρέχουν απαραίτητες πληροφορίες σχετικά με την ασφάλεια και τη σωστή χρήση αυτού του προϊόντος. Η μονάδα συμπύκνωσης περιλαμβάνει τα εξής:

- Σπειροειδής/παλινδρομικός συμπιεστής
- Εναλλάκτη θερμότητας με μικροαγωγούς
- Διπλούς διακόπτες πίεσης
- Βαλβίδες λειτουργίας Αναρρόφηση/ υγρό
- Ανθεκτικό στις καιρικές συνθήκες περίβλημα (IP 54)
- Φίλτρο ξηραντήρα
- Θερμαντήρα στροφαλοθαλάμου για το συμπιεστή
- Συλλέκτη με βαλβίδα διακοπής
- Υαλοδείκτη
- Ρελέ ακολουθίας φάσης (Σπειροειδής συμπιεστής)
- Πλήρως προκαλωδιωμένος ηλεκτρικός πίνακας (συμπεριλαμβανομένου διακόπτη ρεύματος, επαφές συμπιεστών, ρελέ υπερφόρτωσης)
- Ρυθμιστής ταχύτητας ανεμιστήρα και εξωτερικός κεντρικός διακόπτης (μόνο W09)

2 – Χειρισμός και αποθήκευση

- Συνιστάται να μην ανοίγετε τη συσκευασία πριν τοποθετήσετε τη μονάδα στην τελική θέση όπου θα εγκατασταθεί.
- Χειριστείτε τη μονάδα με προσοχή. Η συσκευασία επιτρέπει τη χρήση περονοφόρου ή ανυψωτήρα παλετών. Χρησιμοποιήστε κατάλληλο και ασφαλή εξοπλισμό ανύψωσης.
- Αποθηκεύστε και μεταφέρετε τη μονάδα σε όρθια θέση.
- Αποθηκεύστε τη μονάδα σε θερμοκρασία μεταξύ -35°C και 50°C .
- Μην εκθέτετε τη συσκευασία σε βροχή ή διαβρωτική ατμόσφαιρα.
- Μετά την αποσυσκευασία, ελέγξτε ότι η μονάδα είναι πλήρης και ανέπαφη.

3 – Προφυλάξεις εγκατάστασης

⚠ Μην εκτελείτε συγκολλήσεις ενόσω η μονάδα συμπύκνωσης βρίσκεται υπό πίεση.

⚠ Ποτέ μην τοποθετείτε τη μονάδα σε εύφλεκτη ατμόσφαιρα

⚠ Τοποθετήστε τη μονάδα έτσι ώστε να μην φράζει και να μην εμποδίζει διαδρόμους, πόρτες, παράθυρα ή τα παρόμοια.

- Διασφαλίστε επαρκή χώρο γύρω από τη μονάδα για να κυκλοφορεί ο αέρας και να ανοίγουν οι πόρτες. Ανατρέξτε στην εικόνα 1 για τις ελάχιστες αποστάσεις από τοίχους.
- Αποφύγετε την εγκατάσταση της μονάδας σε θέσεις οι οποίες εκτίθενται καθημερινά σε άμεσο ηλιακό φως για παρατεταμένες περιόδους.
- Αποφύγετε την εγκατάσταση της μονάδας σε

διαβρωτικά περιβάλλοντα και περιβάλλοντα με σκόνη.

- Διασφαλίστε μία βάση με οριζόντια επιφάνεια (κλίση μικρότερη από 3°), αρκετά ανθεκτική και σταθερή για να φέρει το βάρος όλης της μονάδας και να εξαλείφει κραδασμούς και παρεμβολές.
- Η θερμοκρασία περιβάλλοντος της μονάδας δεν πρέπει να υπερβαίνει τους 50°C κατά τη διάρκεια εκτός κύκλου.
- Διασφαλίστε ότι η παροχή ισχύος αντιστοιχεί με τα χαρακτηριστικά της μονάδας (δείτε την ενδεικτική πινακίδα).
- Κατά την εγκατάσταση μονάδων για ψυκτικά HFC ή HFO, χρησιμοποιήστε εξοπλισμό του οποίου διατηρείτε ειδικά για ψυκτικά HFC ή HFO και που δεν έχει χρησιμοποιηθεί ποτέ για ψυκτικά CFC ή HCFC.
- Χρησιμοποιήστε καθαρούς και αφυδατωμένους χαλκινούς σωλήνες ψυκτικής κλάσης και υλικό συγκόλλησης από κράμα αργύρου.
- Χρησιμοποιήστε καθαρά και αφυδατωμένα εξαρτήματα συστήματος.
- Η σωλήνωση αναρρόφησης που συνδέεται με τον συμπιεστή πρέπει να είναι ευκαμπτη και στις 3 διαστάσεις για να αποσβίνει τους κραδασμούς. Επιπλέον οι σωληνώσεις πρέπει να πραγματοποιηθούν με τέτοιο τρόπο ώστε να διασφαλίζεται η επιστροφή λαδιού για τον συμπιεστή και να εξαλείφεται ο κίνδυνος θυλάκων υγρού στον συμπιεστή.

4 – Εγκατάσταση

- Η εγκατάσταση στην οποία εγκαθίσταται η μονάδα συμπύκνωσης πρέπει να συμμορφώνεται με την Ευρωπαϊκή οδηγία Εξοπλισμού υπό Πίεση (PED) αρ. 97/23/ΕΚ. Η μονάδα συμπύκνωσης καθαυτή δεν θεωρείται "μονάδα" υπό την έννοια αυτής της οδηγίας.
- Η μονάδα πρέπει να εγκατασταθεί με ασφάλεια πάνω σε ένα σταθερό και άκαμπτο υποστήριγμα, και να στερεωθεί εξ αρχής. Δείτε την εικόνα 2
- **Συνιστάται η εγκατάσταση της μονάδας πάνω σε δακτυλιούς στερέωσης από ελαστικό ή σε αποσβεστήρες κραδασμών (δεν παρέχονται).**
- Απελευθερώστε αργά την πλήρωση αζώτου δι-αμέσου της θύρας schrader.
- Συνδέστε τη μονάδα στο σύστημα το συντομότερο δυνατόν για να αποφύγετε τη μόλυνση του λαδιού από την περιβαλλοντική υγρασία.
- Αποφύγετε την εισαγωγή υλικών στο σύστημα κατά την κοπή των σωληνών. Ποτέ μην ανοίγετε οπές σε σημεία όπου δεν μπορείτε να αφαιρέσετε τα ρινίσματα.
- Εκτελέστε συγκολλήσεις με μεγάλη προσοχή χρησιμοποιώντας την πλέον πρόσφατη τεχνική και απαερώστε τις σωληνώσεις με ροή αερίου αζώτου.
- Συνδέστε τις απαιτούμενες διατάξεις ασφαλείας και ελέγχου. Όταν χρησιμοποιείτε τη θύρα schrader για αυτό το σκοπό, αφαιρέστε την εσωτερική βαλβίδα.

- Συνιστάται να μόνωσετε τον σωλήνα αναρρόφησης μέχρι την είσοδο του συμπιεστή με μόνωση πάχους 19 mm.

5 – Ανίχνευση διαρροών

⚠ Ποτέ μην θέτετε υπό πίεση το σύστημα με οξυγόνο ή ξηρό αέρα. Θα μπορούσε να προκληθεί πυρκαγιά ή έκρηξη.

- Μην χρησιμοποιείτε χρωστική για την ανίχνευση διαρροής.
- Εκτελέστε μία δοκιμή ανίχνευσης διαρροής στο ολοκληρωμένο σύστημα.
- Η μέγιστη πίεση δοκιμής είναι $31^{*})$ bar.
- Όταν ανακαλύψετε κάποια διαρροή, επισκευάστε την και επαναλάβετε την ανίχνευση διαρροής.

**) 25 bar για μοντέλα OP-.....AJ.... & OP-.....FH....*

6 – Ξήρανση κενού

- Ποτέ μην χρησιμοποιείτε τον συμπιεστή για να εκκενώσετε το σύστημα.
- Συνδέστε μία αντλία κενού και στις δύο πλευρές LP & HP.
- Εκκενώστε το σύστημα υπό κενό της τάξης των 500 $\mu\text{m Hg}$ (0,67 mbar) απόλυτης πίεσης.
- Μην χρησιμοποιείτε μεγέθυρο και μην εφαρμόζετε ισχύ στον συμπιεστή ενόσω βρίσκεται υπό κενό καθώς αυτό μπορεί να προκαλέσει εσωτερική βλάβη.

7 – Ηλεκτρικές συνδέσεις

- Σβήστε και απομονώστε την παροχή ρεύματος.
- Βεβαιωθείτε ότι η παροχή ρεύματος δεν μπορεί να ενεργοποιηθεί κατά τη διάρκεια της εγκατάστασης.
- Όλα τα ηλεκτρικά εξαρτήματα πρέπει να επιλέγονται σύμφωνα με τα τοπικά πρότυπα και τις απαιτήσεις της μονάδας.
- Ανατρέξτε στο διάγραμμα συνδεσμολογίας για λεπτομέρειες των ηλεκτρικών συνδέσεων.
- Διασφαλίστε ότι η παροχή ισχύος αντιστοιχεί με τα χαρακτηριστικά της μονάδας και ότι είναι σταθερή (ονομαστική τάση $\pm 10\%$ και ονομαστική συχνότητα $\pm 2,5$ Hz).
- Οι διαστάσεις των καλωδίων παροχής ρεύματος πρέπει να συμμορφώνονται με τα δεδομένα τάσης και ρεύματος της μονάδας.
- Προστατέψτε την παροχή ρεύματος και διασφαλίστε σωστή γείωση.
- Πραγματοποιήστε την παροχή ρεύματος σύμφωνα με τα τοπικά πρότυπα και τις νομικές απαιτήσεις.
- Η μονάδα διαθέτει διακόπτες υψηλής και χαμηλής πίεσης, που διακόπτουν άμεσα την παροχή ρεύματος στον συμπιεστή και παρέχει ηχητικά σήματα εναλλασσόμενου ρεύματος 230V (μέγ. 50VA) σε περίπτωση ενεργοποίησης. Οι παράμετροι διακοπής λόγω υψηλής και χαμηλής πίεσης πρέπει να ρυθμίζονται από τον τεχνικό εγκατάστασης λαμβάνοντας υπόψη το μοντέλο του συμπιεστή, το ψυκτικό και την εφαρμογή. Μονάδες με συμπιεστές MLZ και LLZ της Danfoss εφοδιάζονται επίσης με ρελέ ακολουθίας φάσης για

Οδηγίες

προστασία της μονάδας έναντι απώλειας/ακουλουθίας/ασυμμετρίας φάσης και υπότασης/υπέρτασης.

Για μονάδες με 3-φασικό σπειροειδή συμπιεστή, πρέπει να τηρηθεί η σωστή ακολουθία φάσης για την κατεύθυνση περιστροφής του συμπιεστή.

- Καθορίστε την ακολουθία φάσης χρησιμοποιώντας έναν μετρητή φάσης για να καθιερώσετε τη σειρά των φάσεων των γραμμών L1, L2 και L3.
- Συνδέστε τις φάσεις των γραμμών L1, L2 και L3 στους ακροδέκτες T1, T2 και T3 του διακόπτη ρεύματος, αντίστοιχα.

8 – Ασφάλεια

Η ασφάλεια τήξης δεν είναι διαθέσιμη στη μονάδα, αντικαθίσταται με βύσμα προσαρμογέα.

Η μονάδα έχει συλλέκτη υγρού με βύσμα προσαρμογέα με σύνδεση 3/8" NPT. Ο εγκαταστάτης/τελικός χρήστης μπορεί να κάνει διάφορες επιλογές, όπως αναφέρεται στο EN378-2: 2016 Άρθρο § 6.2.2.3

- Η μονάδα/εγκατάσταση στην οποία συναρμολογείται/ενσωματώνεται η μονάδα συμπύκνωσης πρέπει να συμμορφώνεται με την Ευρωπαϊκή οδηγία Εξοπλισμού υπό Πίεση (PED).
- Προσέχετε τα ιδιαίτερα θερμά και κρύα στοιχεία.
- Προσέχετε τα κινούμενα στοιχεία. Η παροχή ρεύματος πρέπει να αποσυνδέεται κατά το σέρβις.

9 – Πλήρωση του συστήματος

- Φοράτε προστατευτικό εξοπλισμό όπως γυαλιά και προστατευτικά γάντια.
- Ποτέ μην εκκινείτε τον συμπιεστή υπό κενό. Αφήστε τον συμπιεστή απενεργοποιημένο.
- Πριν την πλήρωση του ψυκτικού, επαληθεύστε ότι η στάθμη του λαδιού βρίσκεται μεταξύ ¼ και ¾ πάνω στον υαλοδείκτη λαδιού του συμπιεστή. Εάν απαιτείται πρόσθετο λάδι, ανατρέξτε στην ετικέτα του συμπιεστή για τον τύπο του λαδιού.
- Χρησιμοποιείτε μόνο το ψυκτικό για το οποίο έχει σχεδιαστεί η μονάδα.
- Γεμίστε το ψυκτικό σε υγρή φάση μέσα στον συμπιεστή ή στο συλλέκτη υγρού. Διασφαλίστε την αργή πλήρωση του συστήματος στα 4 – 5 bar για τα R404A/R507A/R407A/R407F/R448A/R449A ή το R452A και περίπου στα 2 bar για το R134a/R513A.
- Μην τοποθετείτε υγρό ψυκτικό διαμέσου της γραμμής αναρρόφησης.
- Δεν επιτρέπεται η ανάμιξη πρόσθετων με το λάδι και/ή το ψυκτικό
- Η υπόλοιπη πλήρωση γίνεται μέχρι η εγκατάσταση να φτάσει σε ένα επίπεδο σταθερής ονομαστικής κατάστασης κατά τη διάρκεια της λειτουργίας.
- Ποτέ μην αφήνετε τον κύλινδρο πλήρωσης συνδεδεμένο στο κύκλωμα.

10 – Επαληθευση πριν τη θέση σε λειτουργία

Δ Χρησιμοποιήστε διατάξεις ασφαλείας όπως διακόπτη πίεσης ασφαλείας και μηχανική ανακουφιστική βαλβίδα που συμμορφώνονται τόσο με τους γενικούς όσο και με τους τοπικούς ισχύοντες κανονισμούς και πρότυπα ασφαλείας. Βεβαιωθείτε ότι λειτουργούν και έχουν ρυθμιστεί σωστά.

Δ Ελέγξτε ότι οι ρυθμίσεις των διακοπών υψηλής πίεσης και των ανακουφιστικών βαλβίδων δεν υπερβαίνουν την μέγιστη πίεση λειτουργίας οποιουδήποτε εξαρτήματος του συστήματος.

- Επαληθεύστε ότι όλες οι ηλεκτρικές συνδέσεις είναι σωστά στερεωμένες και σε συμμόρφωση με τους τοπικούς κανονισμούς.
- Όταν απαιτείται θερμαντήρας στροφαλοθαλάμου, πρέπει να ενεργοποιηθεί τουλάχιστον 12 ώρες πριν την αρχική εκκίνηση και την εκκίνηση μετά από παρατεταμένη περίοδο διακοπής λειτουργίας.

11 – Εκκίνηση

- Ποτέ μην εκκινείτε τη μονάδα όταν δεν υπάρχει ψυ-

κτικό.

- Όλες οι βαλβίδες λειτουργίας πρέπει να είναι στην ανοικτή θέση. Δείτε την εικόνα 3.
- Ελέγξτε τη συμμόρφωση μεταξύ της μονάδας και της παροχής ισχύος.
- Ελέγξτε ότι ο θερμαντήρας στροφαλοθαλάμου λειτουργεί.
- Ελέγξτε ότι ο ανεμιστήρας μπορεί να περιστραφεί ελεύθερα.
- Ελέγξτε ότι το προστατευτικό φύλλο έχει αφαιρεθεί από την πίσω πλευρά του συμπυκνωτή.
- Εξισορροπήστε την πίεση HP/LP.
- Ενεργοποιήστε τη μονάδα. Θα πρέπει να ξεκινήσει αμέσως. Εάν ο συμπιεστής δεν ξεκινήσει, ελέγξτε τη συμμόρφωση των καλωδιώσεων, την τάση στους ακροδέκτες και την ακολουθία φάσης.
- Πιθανή αντίστροφη περιστροφή ενός 3-φασικού συμπιεστή μπορεί να ανιχνευθεί από τα ακόλουθα φαινόμενα: η μονάδα είναι εξοπλισμένη με ρελέ αντίστροφης φάσης και ο συμπιεστής δεν εκκινείται, ο συμπιεστής δεν συσσωρεύει πίεση, έχει αφύσικα υψηλή στάθμη θορύβου και αφύσικα χαμηλή κατανάλωση ισχύος. Σε τέτοια περίπτωση, σβήστε αμέσως τη μονάδα και συνδέστε τις φάσεις στους σωστούς ακροδέκτες.
- Εάν η κατεύθυνση περιστροφής είναι σωστή, η ένδειξη χαμηλής πίεσης στον ελεγκτή (ή ο μετρητής χαμηλής πίεσης) θα παρουσιάζει μειούμενη πίεση και η ένδειξη υψηλής πίεσης (ή ο μετρητής υψηλής πίεσης) θα παρουσιάζει αυξανόμενη πίεση.

12 – Έλεγχος με τη μονάδα σε λειτουργία

- Ελέγξτε την κατεύθυνση περιστροφής του ανεμιστήρα. Ο αέρας πρέπει να ρέει από τον συμπυκνωτή προς τον ανεμιστήρα.
- Ελέγξτε την έξαρση του ρεύματος και την τάση.
- Ελέγξτε την υπερθέρμανση αναρρόφησης για να μειώσετε τον κίνδυνο εμφάνισης του φαινομένου slugging.
- Όταν παρέχεται υαλοδείκτης, παρατηρήστε τη στάθμη του λαδιού στην εκκίνηση και κατά τη λειτουργία για να επιβεβαιώσετε ότι η στάθμη του λαδιού παραμένει ορατή.
- Τηρήστε τα όρια λειτουργίας.
- Ελέγξτε όλους τους σωλήνες για μη φυσιολογικούς κραδασμούς. Κινήσεις μεγαλύτερες του 1,5 mm απαιτούν διορθωτικά μέτρα όπως υποστηρίγματα σωλήνων.
- Όταν χρειαστεί, μπορείτε να προσθέσετε επιπλέον ψυκτικό σε υγρή φάση στην πλευρά χαμηλής πίεσης όσο το δυνατόν μακρύτερα από τον συμπιεστή. Ο συμπιεστής πρέπει να λειτουργεί κατά τη διάρκεια αυτής της διαδικασίας.
- Μην υπερφορτίζετε το σύστημα.
- Ακολουθείτε τους τοπικούς κανονισμούς σχετικά με την επαναφορά του ψυκτικού μέσω από την μονάδα.
- Ποτέ μην απελευθερώνετε ψυκτικό στην ατμόσφαιρα.
- Πριν φύγετε από τον χώρο εγκατάστασης, διενεργήστε μία γενική επιθεώρηση εγκατάστασης σχετικά με την καθαρότητα, το θόρυβο και την ανίχνευση διαρροής.
- Καταγράψτε τον τύπο και την ποσότητα της πλήρωσης ψυκτικού καθώς επίσης και τις συνθήκες λειτουργίας ως αναφορά για μελλοντικές επιθεωρήσεις.

13 – Συντήρηση

Δ Να απενεργοποιείτε πάντα τη μονάδα κλείνοντας τον διακόπτη ρεύματος πριν αφαιρέσετε το πάνελ του ανεμιστήρα.

Δ Η εσωτερική πίεση και η θερμοκρασία επιφανείας είναι επικίνδυνες και μπορούν να προκαλέσουν μόνιμο τραυματισμό.

Οι χειριστές συντήρησης και οι εγκαταστάτες πρέπει να διαθέτουν τις κατάλληλες ικανότητες και εργαλεία. Η θερμοκρασία των σωληνώσεων μπορεί να υπερβεί τους 100°C και να προκαλέσει σοβαρά εγκαύματα.

Δ Βεβαιωθείτε ότι εκτελούνται περιοδικές επιθεω-

ρήσεις σέρβις για να διασφαλιστεί η αξιοπιστία του συστήματος και όπως απαιτείται από τους τοπικούς κανονισμούς.

Για να αποφευχθούν προβλήματα που σχετίζονται με το σύστημα, συνιστάται η ακόλουθη περιοδική συντήρηση:

- Επαληθεύστε ότι οι διατάξεις ασφαλείας λειτουργούν και έχουν ρυθμιστεί σωστά.
- Βεβαιωθείτε ότι το σύστημα δεν παρουσιάζει διαρροές.
- Ελέγξτε την έξαρση ρεύματος του συμπιεστή.
- Επιβεβαιώστε ότι το σύστημα λειτουργεί με τρόπο συνεπή με τα αρχεία προηγούμενων συντηρήσεων και τις συνθήκες περιβάλλοντος.
- Ελέγξτε ότι όλες οι ηλεκτρικές συνδέσεις εξακολουθούν να είναι επαρκώς στερεωμένες.
- Διατηρήστε τη μονάδα καθαρή και επαληθεύστε την απουσία σκουριάς και οξείδωσης στα εξαρτήματα, τους σωλήνες και τις ηλεκτρικές συνδέσεις της μονάδας.

Ο συμπυκνωτής πρέπει να ελέγχεται τουλάχιστον μία φορά το χρόνο για αποφράξεις και να καθαρίζεται εάν κριθεί απαραίτητο. Η πρόσβαση στην εσωτερική πλευρά του συμπυκνωτή γίνεται μέσω του πάνελ του ανεμιστήρα. Τα σπειρώματα μικροαγωγών τείνουν να συγκεντρώνουν ρύπους στην επιφάνεια αντί στο εσωτερικό και έτσι είναι ευκολότερο να καθαριστούν απ' ό,τι τα σπειρώματα πτερυγοφόρων σωλήνων.

- Απενεργοποιήστε τη μονάδα κλείνοντας τον διακόπτη ρεύματος πριν αφαιρέσετε κάποιο πάνελ από τη μονάδα συμπύκνωσης.
- Αφαιρέστε τους επιφανειακούς ρύπους, φύλλα, ίνες, κλπ., με μία ηλεκτρική σκούπα, εφοδιασμένη με βούρτσα ή άλλο μαλακό προσάρτημα. Εναλλακτικά, ρίξτε πεπιεσμένο αέρα στο σπείρωμα από μέσα προς τα έξω και βουρτίστε με μία μαλακή βούρτσα. Μην χρησιμοποιήσετε σφραμίνη βούρτσα. Μην χτυπήσετε και μην γδάρετε το σπείρωμα με τον σωλήνα της ηλεκτρικής σκούπας ή με το ακροφύσιο αέρα.

Εάν έχετε ανοίξει το σύστημα ψυκτικού, πρέπει να εκπλύνετε το σύστημα με ξηρό αέρα ή άζωτο για την αφαίρεση της υγρασίας και να τοποθετήσετε ένα νέο φίλτρο ξηραντήρα. Εάν απαιτείται εκκένωση του ψυκτικού, η εκκένωση πρέπει να γίνει με τέτοιο τρόπο ώστε να μην διαφύγει το ψυκτικό στο περιβάλλον.

Διαδικασία αφαίρεσης του πίνακα σέρβις για την έκδοση W09



Βήμα 1: Αποσυνδέστε την παροχή ρεύματος. Βεβαιωθείτε ότι ο κύριος διακόπτης βρίσκεται στη θέση off πριν από το σέρβις.



Βήμα 2: Αφαιρέστε όλες τις βίδες του επάνω πάνελ και, στη συνέχεια, αφαιρέστε το επάνω πάνελ.

Οδηγίες



Βήμα 3: Αφαιρέστε όλες τις βίδες του πλευρικού πάνελ..



Βήμα 4: Αφαιρέστε το πλευρικό πάνελ που βρίσκεται παράλληλα με τον κύριο διακόπτη.

14 – Δήλωση ενσωμάτωσης

• **Οδηγία περί εξοπλισμού υπό πίεση 2014/68/ΕΕ EN 378-2:2016** - Συστήματα ψύξης και αντλίες θερμότητας - Απαιτήσεις ασφαλείας και περιβαλλοντικές απαιτήσεις - Μέρος 2: Σχεδιασμός, κατασκευή, δοκιμές, σήμανση και τεκμηρίωση

• **Οδηγία περί χαμηλής τάσης 2014/35/ΕΕ EN 60335-1:2012 + A11:2014**- Ασφάλεια ηλεκτρικών συσκευών οικιακής και παρόμοιας χρήσης - Μέρος 1: Γενικές απαιτήσεις για όλα τα συγκροτήματα συμπίεστη-συμπυκνωτή που αναφέρονται παραπάνω

• **ΟΔΗΓΙΑ περί οικολογικού σχεδιασμού 2009/125/ΕΚ**, για θέσπιση πλαισίου για τον καθορισμό απαιτήσεων οικολογικού σχεδιασμού όσον αφορά στα προϊόντα που σχετίζονται με την ενέργεια. ΚΑΝΟΝΙΣΜΟΣ (ΕΕ) 2015/1095, για εφαρμογή της Οδηγίας περί οικολογικού σχεδιασμού 2009/125/ΕΚ σχετικά με τις απαιτήσεις οικολογικού σχεδιασμού για επαγγελματικά ψυχόμενα ερμάρια αποθήκευσης, ταχυψύκτες/ταχυκαταψύκτες, συγκροτήματα συμπίεστη-συμπυκνωτή και ψύκτες διεργασιών.

• Οι μετρήσεις για τα συγκροτήματα συμπίεστη-συμπυκνωτή γίνονται σύμφωνα με το πρότυπο «EN 13771-2:2007» - Δοκιμές και μέθοδοι δοκιμών ψυκτικής απόδοσης συμπίεστη και συγκροτημάτων συμπίεστη-συμπυκνωτή - Μέρος 2: Συγκροτήματα συμπίεστη-συμπυκνωτή

15 - Εγγύηση

Να συμπεριλαμβάνετε πάντα τον αριθμό μοντέλου και τον σειριακό αριθμό σε κάθε αξίωση που εγείρετε σχετικά με αυτό το προϊόν.

Η εγγύηση του προϊόντος ενδέχεται να ακυρωθεί στις ακόλουθες περιπτώσεις:

- Απουσία της ενδεικτικής πινακίδας.
- Εξωτερικές τροποποιήσεις, ιδιαίτερα, διάνοιξη οπών, συγκόλληση, σπασμένα σκέλη και σημά-

δια από κρούσεις.

- Συμπίεστης που έχει ανοιχτεί ή επιστρέφεται μη σφραγισμένος.
- Σκουριά, νερό ή χρωστική ανίχνευσης διαρροής εντός του συμπίεστη.
- Χρήση ψυκτικού ή λιπαντικού που δεν έχει εγκριθεί από την Danfoss.
- Τυχόν παρέκκλιση από τις συνιστώμενες οδηγίες που αφορούν την εγκατάσταση, εφαρμογή ή συντήρηση.
- Χρήση σε κινητές εφαρμογές.
- Χρήση σε περιβάλλον εκρηκτικής ατμόσφαιρας.
- Ο αριθμός μοντέλου ή ο σειριακός αριθμός δεν συνοδεύει την αξίωση για εγγύηση.

16 – Διάθεση



Η Danfoss συνιστά την ανακύκλωση των μονάδων συμπίεσης και του λαδιού από κατάλληλη εταιρεία στις εγκαταστάσεις της.

17 - Ρύθμιση ρυθμιστή ταχύτητας ανεμιστήρα για το ψυκτικό μέσο R134a/R513A

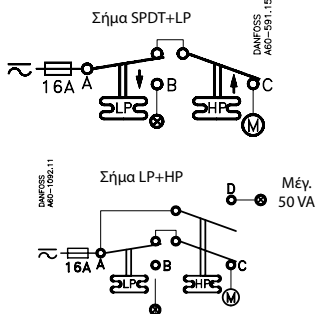
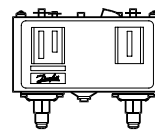
τύπος FSC	Αριθμός ανταλλακτικού ρυθμιστή ταχύτητας ανεμιστήρα	Γράμμα ψυκτικού μέσου	Για ψυκτικό μέσο	Εργοστασιακή ρύθμιση	Απαιτείται ενέργεια
 XGE-2C	061H3248	G	R134a/R513A	8 bar	360°=1 στροφή = Περ. 0,8 bar (Περιστροφή δεξιόστροφα = Ρύθμιση αύξησης πίεσης, Περιστροφή αριστερόστροφα = Ρύθμιση μείωσης πίεσης)
		Q	R404A/R452A/R507	15 bar	
		H	R404A/R507	15 bar	
		X	R404A/R507/R134a/R513A/ R407A/ R407F/R448A/R449A/R452A	15 bar	
		Y	R404A/R507/R449A	15 bar	
		B	R404A/R507/R448A/R449A/R452A	15 bar	
	X	Εάν χρησιμοποιείται το ψυκτικό μέσο R134a ή R513A	15 bar	Περιστρέψτε τον κοχλία 9 φορές αριστερόστροφα για να φτάσει τα 8 bar	

* Ο εγκαταστάτης μπορεί να ορίσει την απαιτούμενη ρύθμιση βάσει της εφαρμογής.

18 - Εργοστασιακές ρυθμίσεις διπλού διακόπτη πίεσης

Ψυκτικά μέσα	Ρυθμίσεις υψηλής πίεσης (bar (g))		Ρυθμίσεις χαμηλής πίεσης (bar (g))	
	ON	OFF	ON	OFF
R404A/R507/R407A/R407F/R448A/R449A/R452A	23	27	2	1
R134a/R513A	13	17	2	1

KP17WB



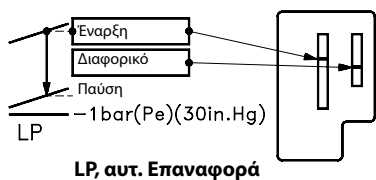
Καταλογογραφημένος ελεγκτής ψύξης 61B5

Επαφές	Τάση		FL A	LR A	Αντιστ. Φορτίο	Λειτουργία οδηγού
	AC	DC				
A-B	240		8	48	8A	3A
A-C	120		16	96	16A	
A-D	240					50VA

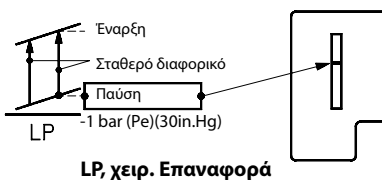
Χρησιμοποιείτε μόνο σύρμα χαλκού
Ροπή σύσφιξης 20lb.in.

Όταν γίνεται χρήση σύμφωνα με τους κανονισμούς UL

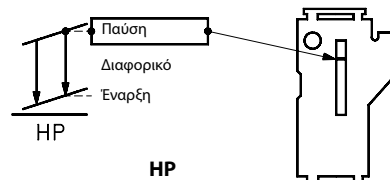
LR 112A	AC1 10A	400 V	DC 11
	AC3 10A		12 W
	AC11 10A		220 V



LP, αυτ. Επαναφορά



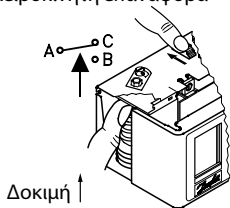
LP, χειρ. Επαναφορά



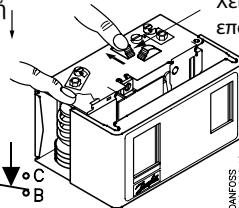
HP

Χειροκίνητη δοκιμή

Χειροκίνητη επαναφορά

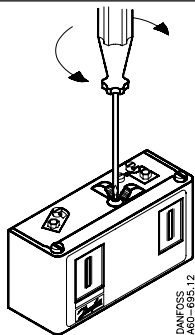


Δοκιμή



Χειροκίνητη επαναφορά

**Μετατρέψιμη επαναφορά
KP 17B 060-539366, 060-539466**

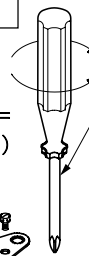


LP, αυτόμ.
HP, χειρ.

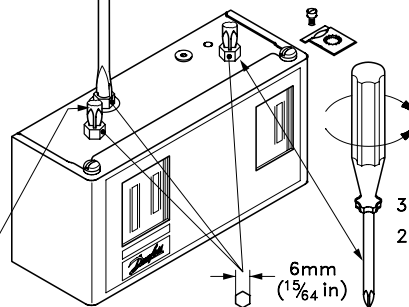


LP, αυτόμ.
HP, αυτόμ.

LP
360° (+) (-) =
0.7 bar (10psi)



Διαφ. LP
360° (-) (+) =
0.15 bar (2psi)



HP
360° (+) (-) =
2.3 bar (33.5psi)

DANFOSS
A60-595.16

Instruksjoner

Optyma™ Slim Pack

OP-LSQM / LSHM / MSXM / MSHM
MSGM / MSYM / MSBM

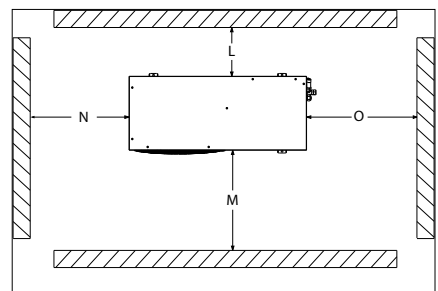
Navneskilt

A → **OP-MSXM068MLW05E**
 B → **114X7068**

C → Application MBP IP 54
 D → Refrigerant (1) R404A R507 R448A/R449A (2) R134a R513A
 E → M.W.P. HP (1) 28 bar (2) 23 bar
 M.W.P. LP (1) 7 bar (2) 5 bar
 F → Voltage 230 V ~ 1N ~ 50Hz Max Ref Qty 5.4 kg
 LRA 60 A MCC 19 A
 OIL INSIDE POE 46 RLA 8.3 A
 PS_{up} 28 bar
 G → Serial No. 064119CG1517
 EAN No. XXXXXXXXXXXXXXXX

118A0549

Danfoss Ltd., 2299ycember End, H99 1NB, GB
 Danfoss A/S, 6430 Nordborg, Denmark
 Importør TOB a.s. | Danfoss TOB® (04080), Kula 90, n/c 168, Ypaltia



Bilde 1 : Minimum monteringsavstand

L [mm]	M [mm]	N [mm]	O [mm]
250	650	550	550

⚠ Installasjon og service av kuldeaggregatet må kun utføres av kvalifisert personell. Følg disse instruksjonene og godkjent praksis som gjelder kjøleteknikk relatert til installasjon, idriftsettelse, vedlikehold og service.

⚠ Kuldeaggregatet må kun brukes for formålet/formålene det er beregnet for og innen sitt virkeområde.

⚠ Kravene i EN378 (eller andre gjeldende lokale sikkerhetsforskrifter) må oppfylles under alle omstendigheter.

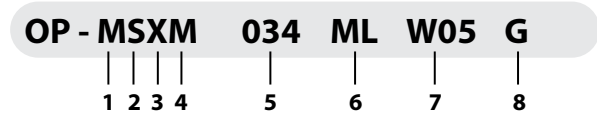
Kuldeaggregatet leveres med nitrogengasstrykk (1 bar) og kan derfor ikke kobles til som det leveres; se avsnittet "installasjon" for ytterligere detaljer.

Kuldeaggregatet må håndteres forsiktig og i vertikal posisjon (maks. avvik fra vertikal posisjon: 15°)

*Se nøyaktige verdier på typeskiltet i enheten

- A: Modell
- B: Kodenummer
- C: Applikasjon, beskyttelse
- D: Kuldemedium
- E: Servicetrykk (Største arbeidstrykk)
- F: Matespenning, kortslutningsampere, Maximum Continuous Current
- G: Serienummer og strekkode

Benevnelsessystem for Optyma™ Slim Pack-serien

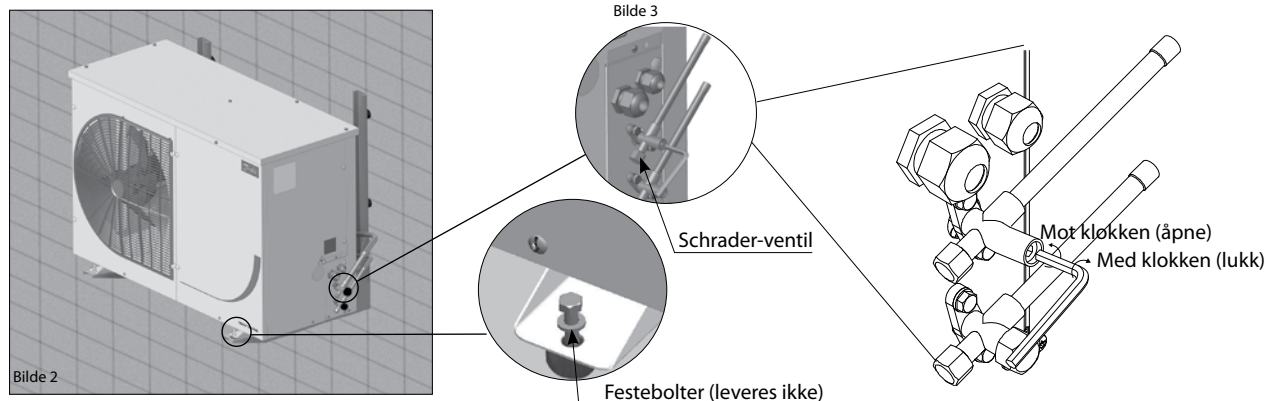


1	Bruksområde M = MBP L = LBP
2	Pakke Kondenseringsaggregat-serie: S = Slim Pack
3	Kuldemedium H = R404A/R507 ; G = R134a, R513A ; Q = R452A, R404A/R507 X = R404A/R507, R134a, R407A, R407F, R448A, R513A, R449A, R452A ; Y = R404A/R507, R448A, R449A; B = R404A/R507, R449A, R452A; P = R448A/R449A, R407A/F, R404A/R507, O = R452A, R404A/R507, R448A, R449A
4	Kondenseringsaggregat M = mikrokanal varmekondenseringsaggregat
5	Slagvolum Fortrengning i cm ³ : Eksempel 034 = 34 cm ³
6	Kompressorplattform MLZ, LLZ = scroll-kompressor MTZ og NTZ = stempelkompressor
7	Versjon W05/W09: Optyma™ Slim Pack
8	Spenningskode G = 230 V / 1-faset kompressor og 230 V / 1-faset vifte E = 400 V / 3-faset kompressor og 230 V / 1-faset vifte

Versjonskontroll

Optyma™ Slim Pack	W05	W09
IP-nivå	IP54	
Kompressorteknologi	Scroll/Stempel	
Styrebok (forhåndskoblet e-panel)	ja	
Mikrokanal-kondenseringsaggregat	ja	
Viftehastighetsstyring	-	ja
Hovedbryter (kretsbytter)	-	ja
Filtertørker (rørkoblinger)	ja	
Seglass	ja	
Veivhusvarmer	ja	
HP/LP justerbar pressostat	Auto/Manuell reset-modus	
Utløp gasstermostat (forsyning)	ja*	
HP/LP Alarm (forsyning)	ja*	

Instruksjoner



1 – Introduksjon

Disse instruksjonene gjelder Optyima™ Slim Pack kondensatorene OP-LSHM/MSHM/MSGM/LSQM/MSXM/MSYM/MSBM (R448A, R449A, R452A, R407A, R407F, R507, R404A, R134a, R513A) brukt i kjøleanlegg. De inneholder nødvendig informasjon om riktig og sikker bruk av dette produktet.

Kuldeaggregatet omfattes av følgende enheter:

- Scroll-/stempelkompressorer
- Mikrokanal varmeveksler
- Doble trykkbrytere
- Serviceventiler for innsuging/væske
- Værbestandig hus (IP 54)
- Filtertørker
- Veiøhusvarmer for kompressor
- Beholder med stengeventil
- Nivåglass
- Fasesekvensrelé (scrollkompressorer)
- Fullstendig forhåndskoblet elektrisk panel (inkludert hovedbryter, kompressorkontaktor, overlasterelé)
- Styreenhet for viftehastighet og eksternt strømbryter (kun W09)

2 – Håndtering og lagring

- Det anbefales å ikke åpne pakken før enheten skal installeres.
- Håndter enheten forsiktig. Pakken kan transporteres med gaffeltruck eller pallegaffel. Bruk riktig og sikkert løfteutstyr.
- Lagre og transporter enheten i stående posisjon.
- Lagringstemperatur for enheten er mellom -35 °C og 50 °C.
- Ikke utsett pakken for regn eller korroderende miljø.
- Kontroller at enheten er komplett og uten skader når du pakker den opp.

3 – Forholdsregler ved installasjon

- ⚠ Ikke slaglodd så lenge kuldeaggregatet er under trykk.
- ⚠ Plasser aldri enheten i et brannfarlig miljø
- ⚠ Plasser enheten slik at den ikke blokkerer eller er til hindring i gangområder, dører, vinduer eller lignende.

- Sikre at det er tilstrekkelig plass rundt enheten for luftsirkulasjon og at dører kan åpnes. Se bilde 1 for minimumsavstand til vegg.
- Unngå installering av enheten på steder som er daglig eksponert av direkte solskinn for lengre perioder.
- Unngå installering av enheten i aggressive og støvete miljøer.

- Sørg for at fundamentet er horisontalt (mindre enn 3° helling) og at det er sterkt og stabilt for å bære hele enhetens vekt og for eliminering av vibrasjoner og interferens.
- Enhetens omgivelsestemperatur må ikke overstige 50 °C ved driftsstands.
- Sørg for at strømforsyningen tilsvarer enhetens egenskaper (se navneplate).
- Ved installering av enheter med HFC eller HFO kuldemedium, må du bruke utstyr som er spesielt beregnet for HFC eller HFO kuldemedier. Dette utstyret må aldri brukes for CFC eller HCFC kuldemedier.
- Bruk rene og tørre refrigeration-grade kobberør og slagloddingsmateriell med sølvlegering.
- Bruk rene og tørre systemkomponenter.
- Innsugningsrøret som er tilkoblet kompressoren, må være fleksibelt i 3 dimensjoner for å dempe vibrasjoner. Dessuten må rørløringen monteres på en slik måte at oljereturen i kompressoren sikres og at faren for væskesøl over kompressoren elimineres.

4 – Installasjon

- Installasjon der kuldeaggregater er installert må være i samsvar med EEC trykkdirektiv (PED) nr. 97/23/EC. Selve kuldeaggregatet er ikke en "enhet" ifølge dette direktivet.
- Enheten må installeres forsvarlig på et stabilt og fast underlag og festes med en gang. Se bilde 2
- **Det anbefales å installere enheten på gummiklosser eller vibrasjonsdempere (medfølger ikke).**
- Slipp forsiktig opp nitrogentilførselen gjennom schrader-porten.
- Koble enheten til systemet så raskt som mulig for å unngå oljeforurensning fra fuktigheten i rommet.
- Unngå at det kommer fremmedlegemer inn i systemet ved kutting av rør. Bor aldri hull der det ikke er mulig å fjerne gradene.
- Slaglodd med stor forsiktighet ved bruk av tradisjonell teknikk og ventiler rørløringen ved bruk av nitrogengass.
- Koble til påbudte sikkerhets- og kontrollenheter. Når schrader-port brukes til dette formålet, må den indre ventilen fjernes.
- Det anbefales å isolere innsugningsrøret opp til kompressorinntaket med 19 mm tykk isolasjon.

5 – Lekkasjesøking

- ⚠ Trykksett aldri kretsen med oksygen eller tørr luft. Dette kan forårsake brann eller eksplosjon.
- Ikke bruk fargestoffer for lekkasjesøking.
- Utfør lekkasjesøkingstest på hele systemet.
- Maksimum testtrykk er 31* bar.

- Når det oppdages en lekkasje, tett lekkasjen og gjenta lekkasjesøking.

* 25 bar for OP-.....AJ.... & OP-.....FH.... -modeller

6 – Vakuummørring

- Bruk aldri kompressoren til å tømme systemet.
- Koble en vakuumpumpe til både lavtrykks- og høytrykksiden.
- <440/> Sett systemet i vakuum ved bruk av vakuum på 500 µm Hg (0,67 mbar) absolutt.
- Ikke bruk et megohmmeter eller koble strøm til kompressoren mens den er under vakuum, da dette kan forårsake skade i kompressoren.

7 – Elektriske tilkoblinger

- Slå av og isoler hovedstrømforsyningen.
- Sørg for at strømforsyningen ikke kan slås på under installasjonen.
- Alle elektriske komponenter må velges ifølge lokale standarder og krav for enheten.
- Se koblingskjema for detaljer som gjelder elektriske tilkoblinger.
- Sørg for at strømforsyningen stemmer overens med enhetens kjennetegn og at strømforsyningen er stabil (nominell spenning ±10 % og nominell frekvens ±2,5 Hz).
- Dimensjoner strømforsyningskablene i henhold til enhetens data for spenning og strøm.
- Beskytt strømforsyningen og sørg for at den er riktig jordet.
- Utfør strømforsyningen i henhold til lokale standarder og lovbestemte krav.
- Enheten er utstyrt med høy- og lavtrykksbrytere som kutter strømtilførselen til kompressoren direkte og sender 230V AC-alarmsignaler (maks 50 VA) i tilfelle aktivering. Parametrene for utkutting ved høyt og lavt trykk bør stilles inn av installatør, tatt i betraktning kompressormodell, kjølemiddel og bruksområde. Enheter med kompressorene Danfoss MLZ og LLZ er også utstyrt med fasesekvensrelé for å beskytte enheten mot fasetap/-sekvens-/asymmetri og under-/overspenning.

For enheter med 3-faset scrollkompressor må det tas hensyn til riktig fasefølge for rotasjonsretningen for kompressoren.

- Bestem fasefølgen ved bruk av en fasemåler for å fastsette fasekommandoer for linjefasene L1, L2 og L3.
- Koble linjefasene L1, L2 og L3 til henholdsvis hovedbryterterminalene T1, T2 og T3.

8 – Sikkerhet

Loddeplugg er ikke tilgjengelig i enheten, den er erstattet av en adapterplugg.

Instruksjoner

Enheten har væskemottaker med adapterplugg med 3/8" NPT-kobling. Montør/sluttbruker kan velge ulike alternativer som beskrevet i EN378-2: 2016 Artikkel § 6.2.2.3

- Enheten/anlegget som kondenseringsenheten monteres/integreres i, skal være i samsvar med direktivet om trykkpåkjent utstyr (PED).
- Forsiktig, ekstremt varme og kalde komponenter.
- Forsiktig, bevegelige komponenter. Strømforsyningen skal kobles fra under servicearbeid.

9 – Fylling av systemet

- Bruk beskyttelsesutstyr som vernebriller og vernehansker.
- Start aldri kompressoren under vakuum. Kompressoren skal være slått av.
- Kontroller at oljenivået er mellom 1/4 og 3/4 i nivåglasset på kompressoren før du fyller på kuldemediet. Hvis det må etterfylles olje, se etiketten på kompressoren for oljetype.
- Bruk kun kuldemediet som er beregnet for enheten.
- Fyll kuldemediet i flytende form i kondensatoren eller væskebeholderen. Fyll sakte på systemet til 4 – 5 bar for R404A/R507A/R407A/R407F/R448A/R449A eller R452A og ca. 2 bar for R134a/R513A.
- Ikke fyll flytende kuldemedium gjennom innsugningsrøret.
- Det er ikke tillatt å blande tilsetningsstoffer med olje og/eller kuldemediet
- Gjenværende påfylling utføres inntil installasjonen har nådd et nivå for stabil nominell tilstand ved drift.
- La aldri påfyllingssylinderen være koblet til kretsen.

10 – Verifikasjon før idriftsettelse

⚠ Bruk sikkerhetsanordninger som sikkerhetsstrykkbryter og mekanisk trykkgrensingsventil i overensstemmelse med generelle og lokale gjeldende forskrifter og sikkerhetsstandarder. Sørg for at de er driftsmessig og riktig innstilt.

⚠ Kontroller at innstillingene av høytrykksbryterne og trykkgrensingsventilene ikke overstiger maks. servicetrykk for noen systemkomponenter.

- Verifiser at alle elektriske tilkoblinger er godt festet og i samsvar med lokale forskrifter.
- Når veivhusvarmer er nødvendig, må den slås på minimum 12 timer før første gangs oppstart og oppstart etter lengre stillstands.

11 – Oppstart

- Start aldri enheten uten at kuldemediet er fylt på.
- Alle serviceventiler må være åpnet. Se bilde 3.
- Kontroller samsvar mellom enheten og strømforsyningen.
- Kontroller at veivhusvarmeren fungerer.
- Kontroller at viften roterer fritt.
- Kontroller at beskyttelsen er fjernet fra baksiden av kondensatoren.
- Balanser trykket (høytrykk/lavtrykk).
- Gjør enheten strømførende. Den skal starte omgående. Hvis kompressoren ikke starter må du kontrollere konformitet i ledningsnett, spenningen på terminalene og sekvensfasen.
- Eventuell reversert rotasjon av en 3-faset scrollkompressor kan påvises på følgende måter: Enheten er utstyrt med fasevendingsrelé og kompressoren starter ikke, kompressoren bygger ikke opp trykket, den har unormalt høyt lydnivå og unormalt lavt strømforbruk. Hvis dette er tilfelle, slå av enheten øyeblikkelig og koble fasene til riktige terminaler.
- Hvis rotasjonsretningen er riktig, skal

lavtrykksindikatoren indikasjon på manometeret vise minkende trykk og høytrykksmanometeret skal vise en økende trykk.

12 – Kontroller på enheten som er i gang

- Kontroller rotasjonsretningen på viften. Luften må strøme fra kondensatoren mot viften.
- Kontroller strømtrykket og spenningen.
- Kontroller at det ikke forekommer overoppheting, for å redusere faren for støtvis strømning.
- Når enheten er utstyrt med nivåglass, må du kontrollere oljenivået ved oppstart og under drift for å sikre at oljenivået forblir synlig.
- Overhold driftsgrenseverdiene.
- Kontroller alle rør for unormal vibrasjon. Ved bevegelser større enn 15 mm må det tas forholdsregler som bruk av rørklemmer.
- Ved behov kan det etterfylles flytende kuldemedium på lavtrykksiden så langt borte fra kompressoren som mulig. Kompressoren må være i drift under denne operasjonen.
- Ikke overfyll systemet.
- Følg lokale forskrifter for håndtering av kjøle-middelet fra enheten.
- Slipp aldri ut kuldemedium til luft.
- Før du forlater installasjonsstedet må du utføre en generell inspeksjon av installasjonen angående renhet, støy og lekkasjesøking.
- Registrer type og mengde av påfylt kuldemedium i tillegg til driftstilstand. Dette kan brukes som referanse for fremtidige inspeksjoner.

13 – Vedlikehold

⚠ Slå alltid av hovedbryteren for enheten før du fjerner dekslet for viften.

⚠ Indre trykk og overflatetemperatur er farlig og kan forårsake varige skader.

Vedlikeholdspersonell og installatører må ha riktige kunnskaper og bruke riktig verktøy. Temperaturen i rørene kan overstige 100°C og kan forårsake alvorlige forbrenninger.

⚠ Sørg for periodiske serviceinspeksjoner for å sikre at systemet fungerer som det skal og at dette utføres etter lokale forskrifter.

For å hindre systemrelaterte problemer:

Periodisk vedlikehold anbefales:

- Bekreft at sikkerhetsutstyret er i driftsmessig stand og riktig innstilt.
- Sikre at det ikke er lekkasje i systemet.
- Kontroller kompressorens strømtrykk.
- Bekreft at systemet fungerer i overensstemmelse med tidligere vedlikeholdsregistreringer og omgivelsestilstand.
- Kontroller at alle elektriske tilkoblinger fortsatt er godt festet.
- Hold enheten ren og bekreft at det ikke finnes rust eller oksidasjon på komponentene til enheten, rør og elektriske tilkoblinger.

Kondensatoren må kontrolleres minst én gang per år for tilstopping, og må renses hvis dette er nødvendig. Tilgang til innsiden av kondensatoren er gjennom viftedekelet. Mikrokanalsspølen samler mer smuss på overflaten enn på innsiden. Dette gjør det enklere å rengjøre enn fin-&-tube spøler.

- Slå av hovedbryteren for enheten før du fjerner deksler fra kuldeaggregatet.
- Fjern overflatesmuss, løv, fibrer, osv. med en støvsuger som er utstyrt med børste eller annet mykt utstyr. Du kan også blåse trykkluft gjennom spølen og børste med en myk børste. Bruk ikke stålbørste. Ikke berør eller skrap spølen med vakuumrøret eller luftdysen.

Hvis kuldemediumssystemet er blitt åpnet, må systemet blåses rent med tørr luft eller nitrogen for å fjerne fuktighet, og en ny filtertørrer må installeres. Hvis kuldemediet må tappes av, må du sørge for at det ikke kommer i kontakt med omgivelsene. Prosedyre for fjerning av service panel versjon W09.



Trinn 1: Koble fra strømforsyningen. Kontroller at hovedbryteren er slått av før servicearbeid utføres.



Trinn 2: Fjern alle skruene fra topppanelet, og fjern deretter topppanelet.



Trinn 3: Fjern alle skruene på sidepanelet.



Trinn 4: Fjern sidepanelet parallelt med hovedbryteren.

14 – Sammenstillingserklæring

• **Direktiv 2014/68/EU om trykkpåkjent utstyr EN 378-2:2016** - Kjølesystemer og varmepumper – Sikkerhets- og miljøkrav-Del 2: Design,

Instruksjoner

konstruksjon, testing, merking og dokumentasjon

Lavspenningsdirektivet 2014/35/EU EN 60335-1:2012 + A11:2014- Elektrisk utstyr for husholdning og lignende-Sikkerhet-Del 1: Generelle krav-for alle ovennevnte kondenseringsenheter.

Økodesign-direktivet 2009/125/ EC, om rammene for fastsettelse av krav til økodesignkrav for energirelaterte produkter. FORSKRIFT (EU) 2015/1095, implementere økodesign-direktivet 2009/125/EC vedrørende krav til økodesign for profesjonelt avkjølte lagringsskap, hurtigkjølingsskap, kondenseringsenheter og prosesskjølere.

• Måling av kondenseringsenheter foretas i samsvar med standard «EN 13771-2:2007» – Kjølekompressorer og kondensatorer for kjøling

– Ytelsesprøving og prøvingsmetoder- del 2: Kondenseringsaggregater

15 - Garanti

Send alltid inn modellnummer og serienummer i forbindelse med reklamasjon for dette produktet. Produktgarantien kan være ugyldig i følgende tilfeller:

- Navneplate mangler.
- Eksterne modifikasjoner; spesielt boring, sveising, knekte føtter og støtmerker.
- Kompressoren er åpnet eller returneres uforseglet.
- Rust, vann eller fargestoffer etter lekkasjesøking inne i kompressoren.
- Bruk av kuldemedium eller smøremiddel som ikke er godkjent av Danfoss.
- Avvik fra anbefalte instruksjoner angående

installasjon, applikasjon eller vedlikehold.


- Brukt i mobile applikasjoner.
- Brukt i eksplosivt atmosfærisk miljø.
- Modellnummer eller serienummer er ikke sendt inn sammen med garantikravet.

16 - Avhending



Danfoss anbefaler at kondenseringsenhetene og olje bør gjenvinnes av et egnet selskap på stedet.

17 - Parameter for justering av viftehastighet for R134a/R513A

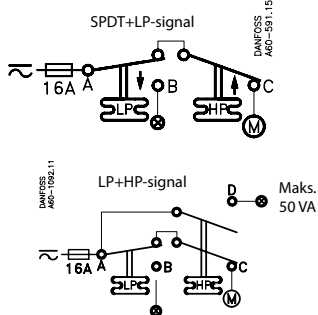
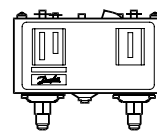
vifte kontroller type	vifte kontroller delenummer	Kjølemedie bokstav	for kuldemedie	Fabrikk innstillinger	Nødvendig tiltak
 XGE-2C	061H3144	G	R134a/R513A	8 bar	360 = i omdreining = ca 0,8 bar (mot klokka = øker trykket, mot klokka = minker trykker)
	061H3248	Q	R404A/R452A/R507	15 bar	
		H	R404A/R507	15 bar	
		X	R404A/R507/R134a/R513A/ R407A/ R407F/R448A/R449A/R452A	15 bar	
		Y	R404A/R507/R449A	15 bar	
		B	R404A/R507/R448A/R449A/R452A	15 bar	
	X	Om kuldemediet som er brukt er R-134a	15 bar	Roter skruen 9 omdreining, mot klokka, for å oppnå 8 bar	

* Montøren kan stille inn ønsket innstilling basert på bruksområdet.

18 - Fabrikkinnstillinger for Dual pressostat

Kjølemidler	Høytrykksinnstillinger (bar (g))		Lavtrykksinnstillinger (bar (g))	
	PÅ	AV	PÅ	AV
R404A/R507/R407A/R407F/R448A/R449A/R452A	23	27	2	1
R134a/R513A	13	17	2	1

KP17WB



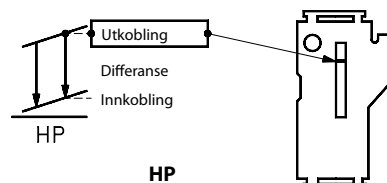
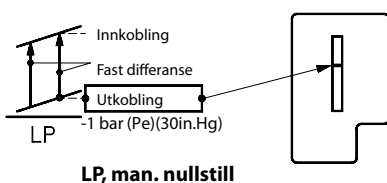
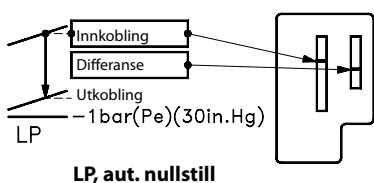
Angitt kjøleregulator
61B5

Kontakter	Spenning		FL A	LR A	Motst. last	Pilotlast
	AC	DC				
A-B	240		8	48	8A	3A
A-C	120		16	96	16A	
A-D	240					50VA

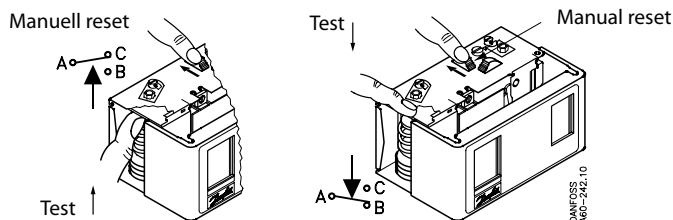
Bruk kun kobberledning
Tiltrekingsmoment 2,26 Nm.

Ved bruk iht. UL-reguleringene

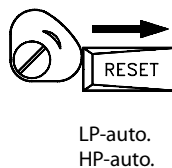
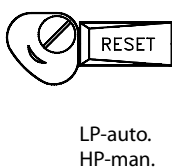
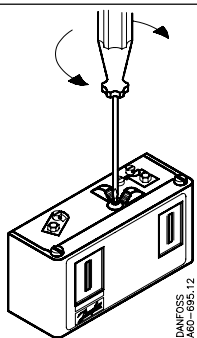
LR 112A	AC1 10A	400 V	DC 11
	AC3 10A		12 W
	AC11 10A		220 V



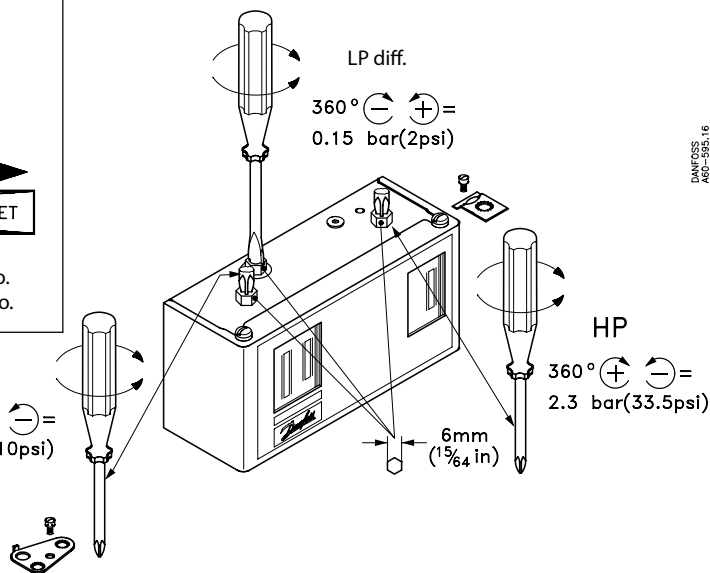
Manuell test



Konverterbar reset
KP 17B 060-539366, 060-539466



LP
360° ⊕ ⊖ =
0.7 bar (10psi)



Инструкции

Оптыма™ Slim Pack

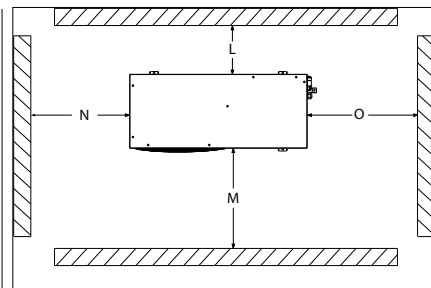
OP-LSQM / LSHM / MSXM / MSHM MSGM / MSYM / MSBM

Табела с име

A	OP-MSXM068MLW05E	 MADE IN INDIA
B	114X7068	
C	Application MBP	IP 54
D	Refrigerant (1) R404A R507 R448A/R449A R407A/R407F/R452A	(2) R134a R513A
E	M.W.P. HP (1) 28 bar	(2) 23 bar
	M.W.P. LP (1) 7 bar	(2) 5 bar
F	Voltage 230 V ~ 1N ~ 50Hz	Max Ref Qty 5.4 kg
	LRA 60 A	MCC 19 A
	OIL INSIDE POE 46	RLA 8.3 A
		PS _{HP} 28 bar
G	Serial No. 064119CG1517	
	EAN No. XXXXXXXXXXXXXXX	
 Danfoss Ltd., 22 Wycombe End, HP9 1NB, GB История на TOB в "Данфосс ТОВ" 04080, Кито 80, п.с. 168, Уганде Danfoss A/S, 6430 Nordborg, Denmark		

* За точните стойности направете справка с табелата с името на уреда

- A: Модел
- B: Кодов номер
- C: Приложение, защита
- D: Хладилен агент
- E: тестово налягане (Максимално работно налягане)
- F: Захранващо напрежение, пусков ток, Максимален постоянен ток
- G: Сериен номер и баркод



Фиг. 1: Минимални монтажни разстояния

L [mm]	M [mm]	N [mm]	O [mm]
250	650	550	550

⚠ Инсталирането и обслужването на агрегатите се извършва само от квалифициран персонал. Следвайте тези инструкции и добрата практика за технически работи в хладилната техника по отношение на въвеждането в експлоатация, техническото обслужване и сервиза.

⚠ Кондензаторният агрегат трябва да се използва само по предназначение и в рамките на предвиденото за него приложение

⚠ При всички обстоятелства трябва да се изпълняват изискванията на EN378 (или друга действаща местна нормативна уредба).

Кондензаторният агрегат се доставя под налягане на азотния газ (1 bar), поради което не може да се свързва в състоянието, в което е; вж. раздела "Инсталиране" за допълнителни подробности.

С кондензаторният агрегат трябва да се борави внимателно във вертикално положение (максимално отместване от вертикала: 15°)

Система за обозначенията за гамата Оптыма™ Slim Pack

OP - MSXM 034 ML W05 G

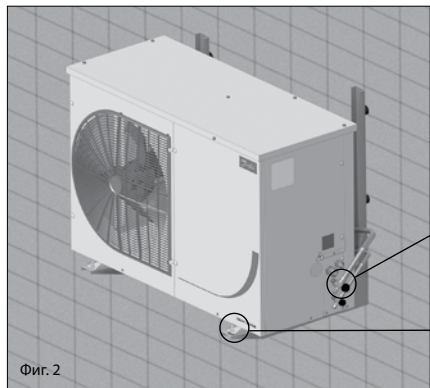
1 2 3 4 5 6 7 8

1	Приложение M = MBP L = LBP
2	Опаковка Семейство на кондензатора: S = Slim Pack
3	Хладилен агент H = R404A/R507; G = R134a, R513A; Q = R452A, R404A/R507 X = R404A/R507, R134a, R407A, R407F, R448A, R513A, R449A, R452A; Y = R404A/R507, R448A, R449A; V = R404A/R507, R449A, R452A; P = R448A/R449A, R407A/F, R404A/R507, O = R452A, R404A/R507, R448A, R449A
4	Кондензатор M = Микроканален топлинен кондензатор
5	Работен ходов обем Изместване в cm ³ : Пример 034 = 34 cm ³
6	Платформа на компресор MLZ, LLZ = Спирален компресор MTZ и NTZ = Бутален компресор
7	Версия W05/W09: Оптыма™ Slim Pack
8	Код на напрежението G = 230V/1-phase compressor & 230V/1 phase fan E = 400V/3-phase compressor & 230V/1-phase fan

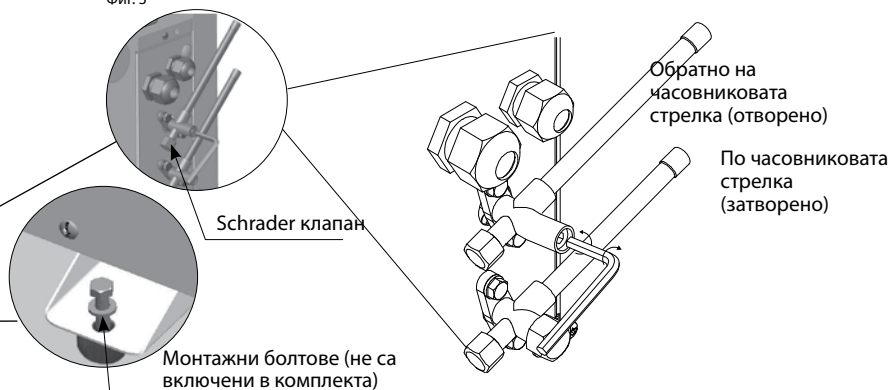
Контрол на версия

Оптыма™ Slim Pack	W05	W09
IP ниво	IP54	
Технология на компресора	Спирален/Бутален	
Контролна кутия (предварително свързан E-панел)	да	
Микроканален кондензатор	да	
Контролер на скоростта на вентилатора	-	да
Главен прекъсвач (прекъсвач на ток)	-	да
Филтър изсушител (тръбен цокъл)	да	
Наблюдателно стъкло	да	
Картерен нагревател	да	
HP/LP регулируем пресостат	Авто/Режим на ръчно нулиране	
Термостат за източване на газ (предоставяне)	да*	
HP/LP аларма (предоставяне)	да*	

Инструкции



Фиг. 3



1 – Въведение

Тези инструкции се отнасят за кондензаторните блокове Оптума™ Slim Pack OP-LSHM/MSHM/MSGM/LSQM/MSXM/MSYM/MSBM (R448A, R449A, R452A, R407A, R407F, R507, R404A, R134a, R513A), които се използват за хладилни системи. Те дават необходимата информация по отношение на безопасността и правилното използване на този продукт.

Кондензаторният блок включва следното:

- Спирален/бутален компресор
- Микроканален топлообменник
- пресостати за две налягания
- Сервизни вентили всмукване/течност
- Корпус, устойчив на атмосферни влияния (IP 54)
- филтър дехидратор
- Нагревател на корпуса за компресора
- ресивер със спирателен вентил
- наблюдателно стъкло
- Реле за фазова последователност (спирален компресор)
- Напълно оборудван електрически панел (включително главен прекъсвач, контактор за компресора, реле за претоварване)
- Контролен за скорост на мотора и външен главен прекъсвач (само W09)

2 – Боравене и съхранение

- Препоръчва се опаковката да не се отваря, преди устройството да се достави на окончателното място за инсталиране.
- Боравенето с устройството трябва да става внимателно. Опаковката позволява да се използва вилчен кар или палетен крик. Използвайте подходящо и безопасно повдигателно оборудване.
- Съхранявайте и транспортирайте устройството в изправено положение.
- Съхранявайте устройството между -35°C и 50°C.
- Не излагайте опаковката на дъжд или корозионна атмосфера.
- След разопаковането проверете дали устройството е цяло и без повреди.

3 – Предпазни мерки при инсталиране

- ⚠ Не споявайте, докато кондензаторният блок е под налягане.
- ⚠ Не използвайте компресора в запалителна атмосфера.
- ⚠ Поставете устройството по такъв начин, че да не блокира и да не пречи на проходите за минаване, врати, прозорци и други подобни.
- Осигурете достатъчно място около устройството за циркулация на въздуха и отваряне на вратите. Вж. фиг. 1 за минималните разстояния до стените.
- Избягвайте инсталиране на устройството на места, изложени на пряко слънчево греене през деня за дълги периоди от време.
- Избягвайте инсталиране на устройството в

агресивна и запрашена среда.

- Осигурете основа на хоризонтална равна повърхност (с наклон под 3°), достатъчно солидна и стабилна, за да издържи цялата тежест на устройството и да елиминира вибрации и влияния.
- Температурата на околната среда на устройството не бива да превишава 50°C по време на цикъла на изключено състояние.
- Уверете се, че електрозахранването отговаря на характеристиките на устройството (вж. табелката с данни).
- Когато инсталирате устройства за хладилни агенти с HFC или HFO, използвайте оборудване, специално запазено за хладилни агенти с HFC или HFO, което никога не е използвано за хладилни агенти с CFC или HCFC.
- Използвайте чисти и дехидрирани медни тръби от хладилен клас и сребърна сплав като материал за спояване.
- Използвайте чисти и дехидрирани компоненти на системата.
- Смукателните тръби, свързани към компресора, трябва да са гъвкави в 3 измерения, за да поглъщат вибрациите. Освен това, тръбите трябва да се поставени по начин, който да гарантира връщането на маслото към компресора и да елиминира рисковете от засмукване на течност в компресора.

4 – Инсталиране

- Инсталацията, в която ще се монтира кондензаторният агрегат, трябва да отговаря на Директивата на ЕС за оборудване под налягане (PED) 97/23/ЕС. Кондензаторният агрегат, сам по себе си, не е „устройство“ по смисъла на тази директива.
- агрегата трябва да се монтира безопасно върху стабилна и твърда опора и да се прикрепи от самото начало. Вж. фиг. 2
- **Препоръчва се да се инсталира на гумени уплътнители или вибрационни амортизатори (не са включени в комплекта).**
- Бавно изпуснете заредения азот през игления вентил.
- Свържете устройството към системата колкото е възможно по-скоро, за да избегнете замърсяване на маслото от атмосферната влага.
- Внимавайте да няма попадане на материали в системата, докато режете тръбите. Не пробивайте отвори на места, на които мустаците не могат да се отстранят.
- Споявайте с голямо внимание, като използвайте съвременна техника, и продухайте тръбите с поток азотен газ.
- Свържете необходимите предпазни и контролно-измерителни устройства. Когато това се използва игления вентил, извадете вътрешното тяло.
- Препоръчва се смукателната тръба да се изолира до входа на компресора с изолация с дебелина 19 mm.

5 – Откриване на пропуски

- ⚠ Никога не използвайте кислород или сух въздух за повишаване на налягането в системата. Това може да предизвика пожар или експлозия.
 - Не използвайте боя за откриване на пропуски.
 - Извършете проверка за пропуски върху цялата система.
 - Максималното налягане при изпитване е 31^{*)} bar.
 - Когато се установи пропуск, отстранете причината и повторете проверката.
- *) 25 бара за модели OP-.....AJ... и OP-.....FH....

6 – Вакуумиране

- Не използвайте компресора за евакуиране на системата.
- Свържете вакуумна помпа към страната на ниско налягане и към страната на високо налягане.
- Евакуирайте системата до налягане 500 µm Hg (0,67 mbar) абсолютна стойност.
- Не използвайте мегаометър и не подавайте захранване към компресора, докато той е в състояние на вакуум, защото това може да предизвика вътрешна повреда.

7 – Електрически съединения

- Изключете и изолирайте мрежовото захранване.
- Уверете се, че електрозахранването не може да се включи по време на инсталирането.
- Всички електрически компоненти трябва да се избират според местните стандарти и изискванията за компресори.
- Вж. електрическата схема за подробности за електрическите съединения.
- Уверете се, че електрозахранването отговаря на характеристиките на устройството и че е стабилно (номинално напрежение ±10% и номинална честота ±2,5 Hz)
- Оразмерете кабелите на електрозахранването съобразно данните на устройството за ток и напрежение.
- Осигурете защита за електрозахранването и правилно заземяване.
- Електрозахранването трябва да отговаря на местните стандарти и нормативни изисквания.
- Устройството е оборудвано с превключватели за високо и ниско налягане, които директно прекъсват електрозахранването към компресора и предоставят алармени сигнали от 230 V променлив ток (макс. 50 VA) в случай на активация. Параметрите за прекъсванията при високо и ниско налягане трябва да се настроят от инсталатора, като се имат предвид моделът на компресора, хладилният агент и приложението. Устройствата с компресори Danfoss MLZ и LLZ са оборудвани и с реле за фазова последователност, което предпазва устройството от загуба на фаза/нарушена фазова последователност/асиметрия и понижаване

Инструкции

но/повишено напрежение.

При устройствата с 3-фазен спирален компресор трябва да се спазва правилната фазова поредност за посока на въртене на компресора.

- Определете фазова тапоредност с помощта на уред за сфазирание, за да установите реда на фазите на захранването L1, L2 и L3.
- Свържете фазите на захранването L1, L2 и L3 към клемите на мрежовия прекъсвач, съответно T1, T2 и T3.

8 – Безопасност

Предпазна пробка не е налична в уреда, тя е заменена с адаптерна пробка.

Уредът има приемник за течност с адаптерна пробка с 3/8» NPT свързка. Монтажникът/крайният потребител може да избира различни опции според споменатото в EN378-2: 2016 член § 6.2.2.3

- Уредът/инсталацията, в които се монтира/интегрира кондензаторът, трябва да са в съответствие с Директивата за оборудване под налягане (PED).
- Внимавайте, тъй като има изключително горещи и студени компоненти.
- азете се от движещи се компоненти. Захранването трябва да бъде изключено по време на сервизиране.

9 – Зареджване на системата

- Носете предпазни средства, като очила и предпазни ръкавици.
- Никога не пускайте компресора, докато той е в състояние на вакуум. Оставете компресора изключен.
- Преди да зареждате хладилен агент, уверете се, че нивото на маслото в контролното прозорче на компресора е между $\frac{1}{4}$ и $\frac{3}{4}$. Ако е необходимо допълнително масло, използвайте типа масло, означен на етикета на компресора.
- Използвайте само хладилния агент, за който е предназначено устройството.
- Заредете хладилния агент в течно състояние в кондензатора или ресивера. Осигурете бавно зареждане на системата до 4–5 bar за R404A/R507A/R407A/R407F/R448A/R449A или R452A и прибл. 2 bar за R134a/R513A.
- Не вкарвайте течен хладилен агент през всмукващата линия.
- Не се позволява прибавяне на добавки към маслото или хладилния агент
- Останалото зареждане се извършва, докато инсталацията достигне равнище на стабилно нормално състояние по време на работа.
- Никога не оставяйте зареждащата бутилка свързана към инсталацията.

10 – Проверка преди въвеждане в експлоатация

▲ Използвайте защитни устройства, като защитен прекъсвач и механичен предпазен вентил, в съответствие както с общата, така и с местната действаща нормативна уредба. Уверете се, че те работят и са правилно настроени.

▲ Проверете дали настройките на пресостатите за високо налягане и предпазните вентили не превишават максималното работно налягане на всички компоненти на системата.

- Уверете се, че всички електрически съединения са добре затегнати и са в съответствие с местната нормативна уредба.
- Когато е необходим нагревател за корпуса, той трябва да бъде включен минимум 12 часа преди начално пускане или пускане след период на продължителен престой.

11 – Пускане

- Никога не пускайте компресора, когато не е зареден хладилен агент.
- Всички работни вентили трябва да са в отво-

рено положение. Вж. фиг. 3.

- Проверете съответствието между устройството и електрозахранването.
- Проверете дали нагревателят за корпуса работи.
- Проверете дали вентилаторът може да се върти свободно.
- Проверете дали предпазният лист е свален от задната страна на кондензатора.
- Изравнете налягането на страната на високото налягане и страната на ниското налягане.
- Включете захранването на агрегата. Той трябва да тръгне веднага. Ако компресорът не тръгне, проверете правилността на свързване, напрежението на клемите и поредността на фазите.
- Евентуално въртене в обратна посока на 3-фазен спирален компресор може да е налично при следните условия: агрегатът е оборудван с реле за обръщане на фаза и компресорът не стартира, компресорът не вдига налягане, издава прекалено висок шум и енергопотреблението е прекалено ниско. В такъв случай незабавно изключете устройството и свържете фазите към правилните клемите.
- Ако посоката на въртене е правилна, на манометъра за ниско налягане ще се наблюдава понижаване на стойността му, а на този за високо налягане съответно увеличаване.

12 – Проверка при работещо устройство

- Проверете посоката на въртене на вентилатора. Въздухът трябва да протича от кондензатора към вентилатора.
- Проверете тока и напрежението.
- Проверете смукателният прегрев, за да намалите риска от заливане.
- Когато е предвидено наблюдателно стъкло, наблюдавайте нивото на маслото при пускане и по време на работа, за да се убедите, че нивото на маслото остава видимо.
- Спазвайте ограниченията за експлоатация.
- Проверете всички тръби за прекомерни вибрации. При отклонения над 1,5 mm са необходими мерки за коригиране, например скоби за тръбите.
- Когато е необходимо, може да се добави допълнителен хладилен агент в течно състояние от страната на ниското налягане, колкото е възможно по-далеч от компресора. През време на този процес компресорът трябва да работи.
- Не препълвайте системата.
- Следвайте местните разпоредби за възстановяване на хладилния агент от агрегата.
- Не изпускайте хладилен агент в атмосферата.
- Преди да напуснете участъка на инсталацията, извършете общ контрол на инсталацията по отношение на чистота, шум и откриване на утечки.
- Запишете типа и количеството на заредения хладилен агент, а също и експлоатационните условия за справка при бъдещ контрол.

13 – Техническо обслужване

▲ Винаги изключвайте агрегата от главния прекъсвач, преди да свалите панела на вентилатора.

▲ Вътрешното налягане и температурата на повърхността са опасни и може да предизвикат трайно увреждане.

Операторите по техническото обслужване и инсталиращите лица трябва да имат съответни умения и инструменти. Температурата на тръбите може да превишава 100°C и да предизвика тежки изгаряния.

▲ Осигурете извършването на периодичен работен контрол, за да гарантирате надеждността на системата и съответствието с действащата нормативна уредба.

За да предотвратите проблеми, свързани със системата, се препоръчва следното периодично техническо обслужване:

- Уверете се, че предпазните устройства работят и са правилно настроени.
- Уверете се, че в системата няма пропуски.
- Проверете тока на компресора.
- Проверете дали системата работи по начин, съвпадащ с архивите от предишни технически обслужвания и условия на околната среда.
- Уверете се, че всички електрически съединения остават добре затегнати.
- Поддържайте агрегата чист и се уверете в отсъствието на ръжда и окисидация върху обвивката му, тръбите и електрическите съединения.

Кондензаторът трябва да се проверява поне веднъж годишно за задръстване и да се почиства, ако се счете за необходимо. Достъпът до вътрешната страна на кондензатора се извършва през панела на вентилатора. По микроканалните серпентини се натрупва замърсяване по повърхността, а не отвътре, което ги прави по-лесни за почистване от серпентините с ребра и тръби.

- Изключвайте агрегата с главния прекъсвач, преди да свалите който и да било панел от кондензаторния блок.
- Отстранете повърхностното замърсяване, листа, влакна и др. с прахосмукачка, снабдена с четка или друг мек накрайник. Като алтернатива може да насочите сгъстен въздух през серпентината отвътре навън и да почиствате с мека четка. Не използвайте телена четка. Не удряйте и не стържете върху серпентината с тръбата или накрайника на прахосмукачката.

Ако системата на хладилния агент е отваряна, инсталацията трябва да се продуха със сух въздух или азот, за да се отстрани влагата, и трябва да се монтира нов филтър дехидратор. Ако трябва да се извърши евакуация на хладилния агент, това трябва да се направи по такъв начин, че да няма изпускане на хладилен агент в околната среда.

Процедура за премахване на сервизния панел за версия W09.



Стъпка 1: Разкачете захранването. Уверете се, че главният превключвател е в изключена позиция преди сервизиране.



Стъпка 2: Премахнете всички винтове на горния панел, след което свалете горния панел.

Инструкции



Стъпка 3: Премахнете всички винтове на страничния панел.



Стъпка 4: Свалете страничния панел паралелно на главния превключвател.

14 – Декларация за вграждане

• **Pressure Equipment Directive 2014/68/EU EN 378-2:2016** – Хладилни системи и термopомпи – Изисквания за безопасност и опазване на околната среда – Част 2: Проектиране, конструкция, изпитване, маркировка и документация

Директива за ниско напрежение 2014/35/EC EN 60335-1:2012 + A11:2014 – Безопасност на битови и подобни електрически уреди – Част 1: Общи изисквания – за всички гореспоменати кондензаторни агрегати.

ДИРЕКТИВА за Екодизайн 2009/125/EO, установяваща работна рамка за задаването на изисквания за Екодизайн за свързани с енергията продукти.

РЕГЛАМЕНТ (EC) 2015/1095, имплементиран на Директивата за Екодизайн 2009/125/EO по отношение на изискванията за Екодизайн за професионални охладителни шкафове за съхранение, шкафове за струйно почистване, кондензаторни агрегати и обработващи чилъри.

- Измерванията на кондензаторните агрегати са направени съгласно стандарт EN 13771-2:2007 – Компресори и кондензаторни агрегати за охлаждане – Изпитване на характеристиката и методи за изпитване – Част 2: Кондензаторни агрегати

15 – Гаранция

Винаги прилагайте номера на модел и серийния номер към всеки гаранционен иск, свързан с този продукт.

Гаранцията на продукта може да бъде обезсилена в следните случаи:

- Липса на табелка с данни.
- Външни модификации, в частност пробиване, заваряване, счупени крачета и белези от удар.

• Компресорът е отворен или е върнат неуплътнен.

• Ръжда, вода или боя за откриване на утечки вътре в компресора.

• Използване на хладилен агент или масло, не одобрени от Danfoss.

• Всяко отклонение от препоръчаните инструкции по отношение на инсталирането, приложението или техническото обслужване.

• Използване в мобилни приложения.

• Използване в среда с взривоопасна атмосфера.


• Гаранционният иск не е придружен от номер на модел или серийен номер.

16 – Изхвърляне



Danfoss препоръчва кондензаторните блокове и маслото да се рециклират от подходяща за целта фирма на нейния обект.

17 - Настройка за контролер на скорост на вентилатора за хладилен агент R134a/R513A

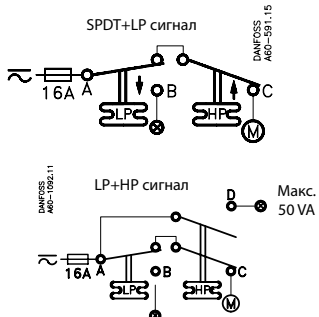
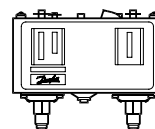
FSC тип	Контролер на скоростта на вентилатора Номер на резервна част	Буква на хладилен агент	За хладилен агент	Фабрична настройка	Изисква се действие
 XGE-2C	061H3144	G	R134a/R513A	8 бара	360° = 1 оборот = около 0,8 бара (Завъртане по часовниковата стрелка = Повишаване на настройката за налягане, Завъртане обратно на часовниковата стрелка = Понижаване на настройката за налягане)
		Q	R404A/R452A/R507	15 бара	
	H	R404A/R507	15 бара		
	X	R404A/R507/R134a/R513A/ R407A/ R407F/R448A/R449A/R452A	15 бара		
	Y	R404A/R507/R449A	15 бара		
	B	R404A/R507/R448A/R449A/R452A	15 бара		
	X	Ако използваният хладилен агент е R134a	15 бара	Завъртете винта 9 оборота обратно на часовниковата стрелка, за да достигнете 8 бара	

* Монтажникът може да зададе необходимата настройка на базата на приложението.

18 - Фабрични настройки за двоен прекъсвач за налягане

Хладилни агенти	Настройки за високо налягане (bar (g))		Настройки за ниско налягане (bar (g))	
	ВКЛ	ИЗКЛ	ВКЛ	ИЗКЛ
R404A/R507/R407A/R407F/R448A/R449A/R452A	23	27	2	1
R134a/R513A	13	17	2	1

KP17WB



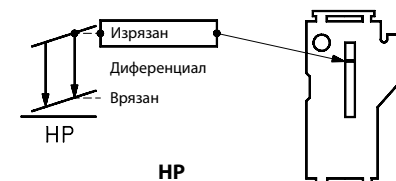
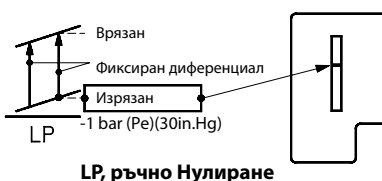
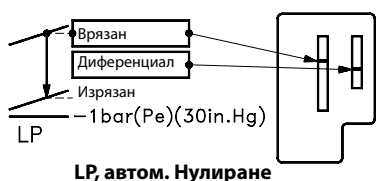
Регистриран контролер на UL vs хладилна техника 61B5

Контакти	Волтаж		FL A	LR A	Съпротивл. Натоварване	Пилотна производителност
	AC	DC				
A-B	240		8	48	8A	3A
A-C	120		16	96	16A	
A-D	240					12W
						50VA

Да се използва само меден проводник
Момент на затягане 20 lb.in.

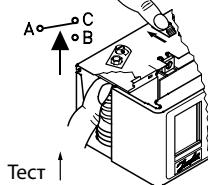
Когато се използва според UL стандартите

LR 112A	AC1 10A	400 V	DC 11
	AC3 10A		12 W
	AC11 10A		220 V



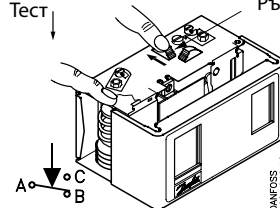
Ръчен тест

Ръчно нулиране

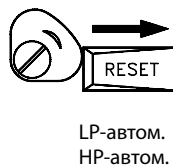
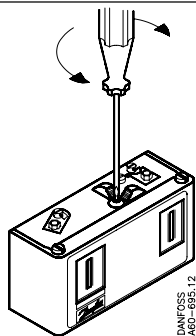


Тест

Ръчно нулиране

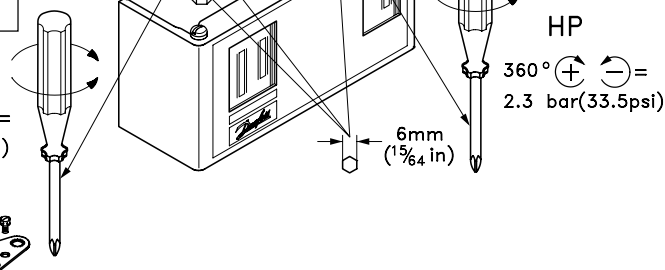


**Приспособимо нулиране
KP 17B 060-539366, 060-539466**



LP
360° ⊕ ⊖ =
0.7 bar(10psi)

LP диф.
360° ⊖ ⊕ =
0.15 bar(2psi)



Instrucțiuni

Optyma™ Slim Pack

OP-LSQM / LSHM / MSXM / MSHM
MSGM / MSYM / MSBM

Plăcuță de identificare

A	OP-MSXM068MLW05E	
B	114X7068	MADE IN INDIA
C	Application MBP	IP 54
D	Refrigerant (1) R404A/R507/R448A/R449A/R407A/R407F/R452A	(2) R134a R513A
E	M.W.P. HP (1) 28 bar (2) 23 bar	M.W.P. LP (1) 7 bar (2) 5 bar
F	Voltage 230 V ~ 1N ~ 50Hz	Max Ref Qty 5.4 kg
	LRA 60 A	MCC 19 A
	OIL INSIDE POE 46	RLA 8.3 A
G	Serial No. 064119CG1517	PS _{HP} 28 bar
	EAN No. XXXXXXXXXXXXX	

Danfoss Ltd., 22Wyncombe End, HP9 1NB, GB
Danfoss A/S, 6430 Nordborg, Denmark
Danfoss logo icons: CE, ENEC, ENEC, ENEC, ENEC
Lamp: TOB s.r.l. "Danfoss TOB" 04080, Kalia 80, n/c 168, Yvelina

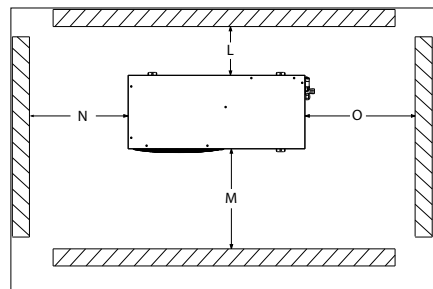


Figura 1: Distanțe minime de montare

L [mm]	M [mm]	N [mm]	O [mm]
250	650	550	550

⚠ Instalarea și întreținerea condensatoarelor trebuie efectuate numai de către personal calificat. Urmăți aceste instrucțiuni și aplicați măsuri corecte de ingineria frigului în legătură cu instalarea, punerea în funcțiune, întreținerea și servirea.

⚠ Grupul de condensare trebuie utilizat numai în scopul(rile) pentru care a fost proiectat și în cadrul domeniului său de utilizare.

⚠ În toate circumstanțele trebuie respectate cerințele EN378 (sau alte reglementări locale de siguranță aplicabile).

● Grupul de condensare este livrat cu azot sub presiune (1 bar), prin urmare nu se poate face legătura direct la acesta; consultați secțiunea «instalarea» pentru detalii suplimentare.

● Grupul de condensare trebuie manevrat cu atenție în poziție verticală (abaterea maximă de la verticală: 15°)

* Pentru valorile exacte, consultați plăcuța de identificare a unității

- A: Model
- B: Număr de cod
- C: Aplicație, Protecție
- D: Agent frigorific
- E: Presiune maximă de funcționare (presiunea maximă de funcționare)
- F: Tensiune de alimentare, Curent cu rotorul blocat, Curent continuu maxim
- G: Număr de serie și cod de bare

Sistemul de desemnare pentru gama Optyma™ Slim Pack

OP - MSXM 034 ML W05 G

1 2 3 4 5 6 7 8

1	Aplicație M = MBP L = LBP
2	Pachet Gama de unități de condensare: S = Slim Pack
3	Agent frigorific H = R404A/R507 ; G = R134a, R513A ; Q = R452A, R404A/R507 X = R404A/R507, R134a, R407A, R407F, R448A, R513A, R449A, R452A ; Y = R404A/R507, R448A, R449A; B = R404A/R507, R449A, R452A; P = R448A/R449A, R407A/F, R404A/R507, O = R452A, R404A/R507, R448A, R449A
4	Condensator M = Condensator cu microcanale
5	Cilindree Cilindree în cm ³ : Exemplu 034 = 34 cm ³
6	Platformă compresor MLZ, LLZ = Compresor cu spirală scroll MTZ și NTZ = Compresor cu piston
7	Versiune W05/W09: Optyma™ Slim Pack
8	Cod tensiune G = Compresor 230 V/monofazat și ventilator 230 V/monofazat E = Compresor 400 V/trifazat și ventilator 230 V/monofazat

Control versiune

Optyma™ Slim Pack	W05	W09
Nivel IP	IP54	
Tehnologia compresorului	Scroll/Piston	
Cutie de comandă (panou electric precablat)	da	
Condensator cu microcanale	da	
Controler viteză ventilator	-	da
Comutator principal (întrerupător de circuit)	-	da
Filtru deshidrator (racorduri filet)	da	
Vizor	da	
Rezistență de carter	da	
Presostat reglabil de presiune înaltă HP/ joasă LP	Mod resetare Auto/manuală	
Termostat gaze de refluxare (furnizare)	da*	
Alarmă HP/LP (pres. înaltă/pres. joasă) (furnizare)	da*	

Instrucțiuni

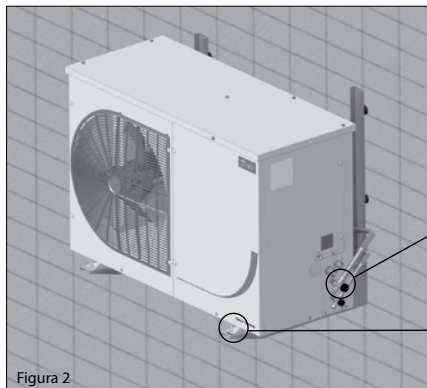


Figura 2

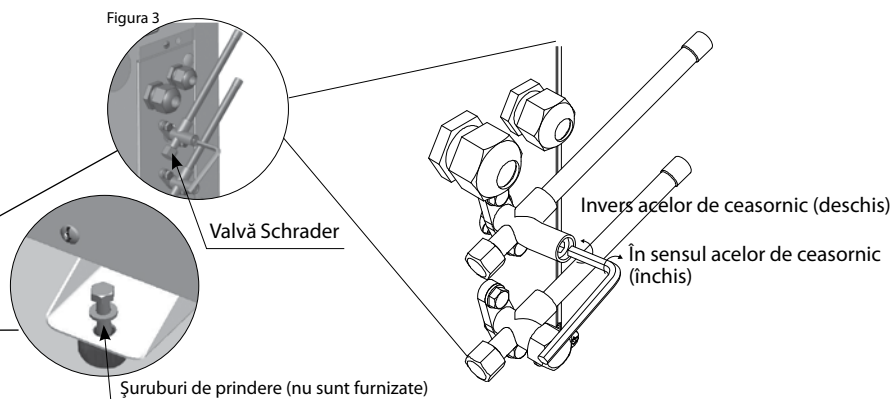


Figura 3

1 – Introducere

Instrucțiunile prezente sunt valabile pentru grupurile de condensare Optyma™ Slim Pack OPLSHM/MSHM/MSGM/LSQM/MSXM/MSYM/MSBM (R448A, R449A, R452A, R407A, R407F, R507, R404A, R134a, R513A) utilizate pentru instalațiile frigorifice. Instrucțiunile furnizează informațiile necesare cu privire la siguranța și utilizarea corespunzătoare a acestui produs.

Grupul de condensare include următoarele:

- Compresor scroll/cu piston
- Schimbător de căldură cu microcanale
- Presostate duale
- Ventile de serviciu aspirație/lichid
- Carcasă protecție intemperii (IP 54)
- Filtru deshidrator
- Rezistență de carter pentru compresor
- Rezervor cu ventil de închidere
- Vizor de lichid
- Releu de secvență a fazelor (compresor scroll)
- Panou electric complet precablat (inclusiv întrerupător principal, contactor compresor, releu de suprasarcină)
- Variator de turație ventilator și comutator extern (numai W09)

2 – Manipularea și depozitarea

- Este recomandat să nu deschideți ambalajul înainte de amplasarea grupului la locul de montare.
- Manevrați grupul cu atenție. Ambalajul permite utilizarea unui stivitor cu furcă sau a unei lise. Utilizați echipament de ridicare corespunzător și sigur.
- Depozitați și transportați grupul în poziție verticală.
- Depozitați grupul între -35°C și 50°C.
- Nu expuneți ambalajul în ploaie sau atmosferă corozivă.
- După despachetare, asigurați-vă că grupul este complet și nedeteriorat.

3 – Măsurile de precauție la instalare

- ⚠ Nu brazați în cazul în care grupul de condensare se află sub presiune.
- ⚠ Nu amplasați niciodată grupul într-o atmosferă inflamabilă
- ⚠ Amplasați grupul astfel încât să nu blocheze sau obstrucționeze pasaje, uși, ferestre sau similare.
- Asigurați spațiu corespunzător în jurul grupului pentru circulația aerului și deschiderea ușilor. Consultați figura 1 pentru valorile minime ale distanțelor la pereți.
- Evitați să montați grupul în locuri care sunt expuse zilnic la lumina directă a soarelui pentru perioade lungi de timp.

- Evitați să montați grupul în medii agresive și cu mult praf.
- Asigurați o fundație cu suprafață orizontală (pantă mai mică de 3°), suficient de puternică și stabilă pentru a susține toată greutatea grupului și a elimina vibrațiile și interferențele.
- Temperatura ambiantă a grupului nu trebuie să depășească 50°C în perioada de nefuncționare.
- Asigurați-vă că tensiunea de alimentare corespunde caracteristicilor grupului (consultați plăcuța de caracteristici).
- Când montați grupurile pentru agenții frigorifici HFC sau HFO, folosiți echipament special rezervat pentru agenți frigorifici HFC sau HFO, care nu a fost folosit niciodată cu agenți frigorifici CFC sau HCFC.
- Utilizați conducte de cupru curate și deshidratate de calitate specială pentru agenți frigorifici, precum și material de lipire din aliaj de argint.
- Utilizați componente curate și deshidratate.
- Conductele de aspirare conectate la compresor trebuie să fie flexibile în 3 direcții pentru amortizarea vibrațiilor. Mai mult, montarea conductelor trebuie efectuată astfel încât să fie asigurat returnul de ulei pentru compresor, iar riscul de antrenare a lichidului în compresor să fie eliminat.

4 – Instalarea

- Instalarea grupului de condensare trebuie să respecte Directiva pentru echipamente sub presiune CEE (PED) nr. 97/23/CE. Grupul de condensare înșuși nu este o „unitate” în sensul acestei directive.
- Grupul trebuie instalat în siguranță pe un suport stabil și rigid, fixat de la început. Consultați figura 2
- **Este recomandat să instalați grupul pe inele de cauciuc sau amortizoare de vibrații (nu sunt incluse).**
- Eliberați încet încărcătura de azot prin orificiul Schrader.
- Conectați grupul la instalație cât mai repede pentru a evita contaminarea uleiului cu umezeala ambiantă.
- Evitați intrarea materialului în instalație în timp ce tăiați tuburile. Nu dați găuri acolo unde baturile nu pot fi îndepărtate.
- Lipiți rece cu mare atenție, utilizând tehnică modernă și aerisiți conductele cu flux de azot.
- Conectați dispozitivele necesare de siguranță și control. Când orificiul Schrader este folosit în acest scop, îndepărtați supapa internă.
- Este recomandat să izolați conducta de aspirație până la admisia compresorului cu izolație de 19 mm.

5 – Detectarea scurgerilor

- ⚠ Nu presurizați niciodată circuitul cu oxigen sau aer uscat. Aceasta poate avea ca rezultat un incendiu sau o explozie.
- Nu folosiți vopsea pentru detectarea scurgerilor.
- Efectuați un test de detectare a scurgerilor la instalația completă.
- Presiunea maximă de testare este 31^{*)} bar.
- Când este descoperită o scurgere, remediați-o și repetați procedura de detectare a scurgerilor.

^{*) 25 bari pentru modelele OP-... AJ-... și OP-... FH-...}

6 – Deshidratarea în vid

- Nu utilizați niciodată compresorul pentru a goli instalația.
- Conectați o pompă de vid atât la partea LP, cât și la partea HP.
- Coborâți instalația sub un vid absolut de 500 μm Hg (0,67 mbar).
- Nu folosiți un megohmetru, nici nu aplicați tensiune compresorului cât timp acesta este sub vid, deoarece se poate produce deteriorarea internă.

7 – Conexiunile electrice

- Opriți și izolați sursa principală de alimentare electrică.
- Asigurați-vă că sursa de alimentare nu poate fi pornită în timpul instalării.
- Toate componentele electrice trebuie selectate cu respectarea standardelor locale și a cerințelor grupului.
- Consultați schema electrică pentru detaliile conexiunilor electrice.
- Asigurați-vă că alimentarea cu energie corespunde caracteristicilor grupului și este stabilă (tensiune nominală ±10% și frecvență nominală ±2,5 Hz).
- Stabiliți dimensiunile cablurilor de alimentare în funcție de caracteristicile grupului pentru tensiune și curent.
- Protejați sursa de alimentare și asigurați împământarea corespunzătoare.
- Realizați alimentarea cu energie respectând standardele locale și cerințele legale.
- Unitatea este echipată cu presostate de înaltă și joasă presiune ce decuplează automat alimentarea compresorului și generează semnale de alarmă la 230V c.a. (max. 50VA) în cazul activării. Parametrii pentru decuplarea la înaltă și joasă presiune trebuie setați de către instalator luând în considerare modelul de compresor, agentul frigorific și aplicația. Grupurile cu compresoare Danfoss MLZ și LLZ sunt echipate și cu un releu de secvență a

Instrucțiuni

fazelor pentru a proteja grupul împotriva pierderii fazei/secvenței/asimetriei și a sub-/supratensiunii.

În cazul grupurilor cu un compresor scroll trifazic, trebuie urmărită secvența corectă a fazelor pentru direcția de rotație a compresorului.

- Determinați secvența fazelor utilizând un fazmetru pentru a stabili ordinea fazelor L1, L2 și L3.
- Conectați fazele L1, L2 și L3 la terminalele de rețea T1, T2 și respectiv T3.

8 – Siguranța

Siguranța fuzibilă nu este disponibilă în unitate, este înlocuită cu o mufă adaptoare.

Unitatea are un rezervor cu lichid cu o mufă adaptoare cu racord NPT 3/8». Instalatorul/utilizatorul final poate selecta diverse opțiuni, așa cum se menționează în EN378-2: 2016 Articolul § 6.2.2.3

- Unitatea/instalația în care este montată/integrată unitatea de condensare trebuie să respecte prevederile PED (Directiva privind echipamentele sub presiune).
- Atenție la componentele extrem de fierbinți/reci.
- Atenție la componentele în mișcare. Sursa de alimentare trebuie deconectată pe durata lucrărilor de service.

9 – Umplerea instalației

- Purtați echipament de protecție precum ochelari și mănuși de protecție.
- Nu porniți niciodată compresorul sub vid. Păstrați compresorul oprit.
- Înainte de a încărca agentul frigorific, verificați dacă nivelul uleiului se situează între $\frac{1}{4}$ și $\frac{3}{4}$ pe vizorul de ulei al compresorului. Dacă este nevoie de mai mult ulei, consultați eticheta compresorului pentru tipul uleiului.
- Utilizați numai agentul frigorific pentru care grupul a fost proiectat.
- Turnați agent frigorific în fază lichidă în condensator sau rezervorul pentru lichid. Asigurați o încărcare lentă a instalației la 4 – 5 bar pentru R404A/R507A/R407A/R407F/R448A/R449A sau R452A și aprox. 2 bar pentru R134a/R513A.
- Nu introduceți agent frigorific lichid prin conducta de aspirație.
- Nu este permisă amestecarea aditivilor cu ulei și/sau agent frigorific
- Continuați încărcarea până când instalația atinge un nivel stabil nominal în timpul funcționării.
- Nu lăsați niciodată cilindrul de umplere conectat la circuit.

10 – Verificarea înainte de punerea în funcțiune

▲ Utilizați dispozitive de siguranță precum presostatul de siguranță și supapa mecanică de eșapare în conformitate cu reglementările valabile în general și local și cu standardele de siguranță. Asigurați-vă că acestea sunt operaționale și setate corespunzător.

▲ Asigurați-vă că setările presostatelor de înaltă presiune și ale supapelor de siguranță nu depășesc presiunea maximă de funcționare a oricărei componente a instalației.

- Verificați ca toate conexiunile electrice să fie bine fixate și în conformitate cu reglementările locale.
- Când este necesară o rezistență de carter, aceasta trebuie pusă în funcțiune cu cel puțin 12 ore înainte de pornirea inițială și de pornirea după opriri de lungă durată.

11 – Pornirea

- Nu porniți niciodată grupul fără agent frigorific.
- Toate ventilele de serviciu trebuie să fie în poziția deschis. Consultați figura 3.
- Verificați conformitatea dintre grup și sursa de alimentare.
- Asigurați-vă că rezistența de carter funcționează.
- Asigurați-vă că ventilatorul se poate roti liber.
- Asigurați-vă că folia de protecție a fost îndepărtată din spatele condensatorului.
- Echilibrați presiunea HP/LP.
- Alimentați grupul cu energie. Aceasta trebuie să pornească imediat. În cazul în care compresorul nu pornește, verificați conformitatea cablajului, tensiunea la borne și secvența fazelor.
- Eventuala rotire inversă a compresorului scroll trifazic poate fi detectată după următoarele fenomene: unitatea este prevăzută cu un releu de inversare a fazei și compresorul nu pornește, compresorul nu acumulează presiune, acesta produce prea mult zgomot și consumă prea puțină energie. În acest caz, opriți imediat grupul și conectați fazele la bornele corespunzătoare.
- Dacă direcția de rotație este corectă, indicația de presiune joasă de pe manometru de joasă presiune va afișa o presiune în scădere, iar indicația de presiune înaltă de pe manometrul de înaltă presiune va arăta o presiune în creștere.

12 – Verificarea cu grupul în funcțiune

- Verificați direcția de rotație a ventilatorului. Aerul trebuie să circule dinspre condensator către ventilator.
- Verificați curentul absorbit și tensiunea.
- Verificați supraîncălzirea la aspirație pentru a reduce riscul de antrenare a lichidului.
- Dacă este prevăzut un vizor, urmăriți nivelul uleiului la pornire și în timpul funcționării pentru a vă asigura că acesta rămâne vizibil.
- Respectați limitele de funcționare.
- Verificați toate țevile pentru a identifica vibrații anormale. Deplasările mai mari de 1,5 mm necesită măsuri corective, de exemplu montarea unor brățări de conductă.
- Atunci când este necesar, puteți adăuga agent frigorific în fază lichidă în partea de joasă presiune, cât mai departe de compresor. Compresorul trebuie să funcționeze în timpul acestui proces.
- Nu supraîncărcați instalația.
- Respectați reglementările locale privind recuperarea agentului frigorific din unitate.
- Nu eliberați niciodată agent frigorific în atmosferă.
- Înainte de a părăsi locul instalației, efectuați o inspecție generală a acesteia cu privire la gradul de curățenie, zgomot și detectarea scurgerilor.
- Înregistrați tipul și cantitatea încărcăturii de agent frigorific, precum și condițiile de operare, ca referință pentru inspecțiile viitoare.

13 – Întreținerea

- ▲ Opriți întotdeauna grupul de la întrerupător înainte de a demonta panoul ventilatorului.
- ▲ Presiunea internă și temperatura suprafeței sunt periculoase și pot provoca vătămări permanente. Operatorii de întreținere și instalatorii necesită aptitudini și scule corespunzătoare. Temperatura conductelor poate depăși 100°C și poate provoca arsuri severe.
- ▲ Asigurați-vă că sunt efectuate inspecțiile periodice de service pentru a garanta fiabilitatea instalației și a respecta reglementările locale.

Pentru a preveni problemele legate de instalație, următoarele elemente de întreținere periodică sunt recomandate:

- Verificați dacă dispozitivele de siguranță sunt operaționale și setate corespunzător.
- Asigurați-vă că instalația nu prezintă scurgeri.
- Verificați curentul absorbit de compresor.
- Asigurați-vă că instalația funcționează conform cu înregistrările anterioare de întreținere și condițiile ambiante.
- Verificați dacă toate conexiunile electrice sunt fixate corespunzător.
- Păstrați grupul curat și verificați prezența ruginii și oxidării pe componentele, conductele și conexiunile electrice ale grupului.

Condensatorul trebuie verificat cel puțin o dată pe an pentru a identifica semne de îmbăscire și trebuie curățat dacă este cazul. Accesul în interiorul condensatorului se face prin panoul ventilatorului. Serpentinele cu microcanale au tendința de a acumula murdăria pe suprafețe și nu la interior, fapt ce le face mai ușor de curățat decât serpentinele de tip conductă cu aripioare.

- Opriți grupul de la întrerupătorul principal înainte de a demonta orice panou de pe grupul de condensare.
- Îndepărtați murdăria de pe suprafață, frunzele, fibrele etc. cu ajutorul unui aspirator echipat cu o perie sau alt accesoriu. Alternativ, suflați aer comprimat prin serpentină, din interior spre exterior și periați cu o perie moale. Nu utilizați o perie de sârmă. Nu loviți și nici nu frecăți serpentina cu tubul aspiratorului sau duza de aer.

Dacă instalația cu agent frigorific a fost deschisă, acesta trebuie curățată cu aer uscat sau azot pentru a îndepărta umezeala și instalați un nou filtru dehidrator. Dacă agentul frigorific trebuie golit, această operație trebuie efectuată astfel încât nicio urmă de agent frigorific să nu scape în mediul ambiant.

Procedura îndepărtare panou pentru versiunea W09



Pasul 1: Deconectați sursa de alimentare. Comutatorul principal trebuie să fie închis înainte de a începe lucrările de service.



Pasul 2: Scoateți toate șuruburile panoului superior, apoi îndepărtați-l.

Instrucțiuni



Pasul 3: Scoateți toate șuruburile panoului lateral.



Pasul 4: Scoateți panoul lateral în paralel cu compo-
mutatorul principal.



14 – Declarație de încorporare

• **Pressure Equipment Directive 2014/68/EU EN 378-2:2016** – Sisteme de refrigerare și pompe de căldură – Cerințe privind siguranța și mediul înconjurător – Partea 2: Proiectarea, construcția, testarea, inscripționarea și documentația

Directiva 2014/35/UE privind echipamentele de joasă tensiune EN 60335-1:2012 + A11:2014 – Aparate electrocasnice și alte aparate electrice similare – Siguranța – Partea 1: Cerințe generale pentru toate unitățile de condensare menționate mai sus

DIRECTIVA 2009/125/CE privind Eco-designul stabilește cadrul pentru definirea cerințelor de proiectare ecologică a produselor din sectorul energetic.

REGULAMENTUL (UE) 2015/1095 pentru implementarea Directivei 2009/125/CE referitoare la Eco-design cu privire la cerințele de proiectare ecologică pentru dulapurile de depozitare refrigerate profesional, dulapurile cu debit de aer forțat, unitățile de condensare și chillerele de proces.

• Măsurătorile pentru unitățile de condensare se efectuează în conformitate cu standardul „EN 13771-2:2007” – Compresoare și unități de condensare pentru testarea performanțelor de refrigerare și metode de testare – Partea 2: Unități de condensare

15 - Garanția

Transmiteți întotdeauna numărul modelului și numărul de serie împreună cu orice reclamație legată de acest produs.

Garanția produsului poate fi nulă în următoarele

situații:


- Absența plăcuței de caracteristici.
- Modificări exterioare; în particular găurire, sudare, suporturi rupte și urme de lovituri.
- Compresor desfăcut sau returnat fără sigilii.
- Rugină, apă sau vopsea de detectare a scurgerilor în interiorul compresorului.
- Utilizarea unui agent frigorific sau lubrifiant neaprobate de Danfoss.
- Orice abatere de la instrucțiunile recomandate cu privire la instalare, utilizare sau întreținere.
- Utilizarea în aplicații mobile.
- Utilizarea în atmosfere explozive.
- Nu este transmis niciun număr de model sau număr de serie împreună cu reclamația în garanție.

16 – Eliminarea



Danfoss recomandă ca uleiul și grupurile compresor-condensator să fie reciclate de către o companie specializată, la sediul acesteia.

17 - Setare controler venitor pentru agentul frigorific R134a/R513A

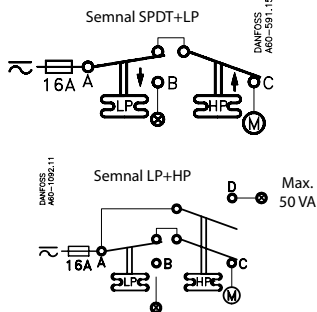
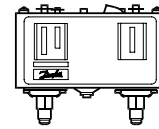
Tip controler	Controler ventilator Cod piesă schimb	Litera agen- tului frigorific	Pentru agentul frigorific	Setare fabrică	Necesitate intervenție
 XGE-2C	061H3248	G	R134a/R513A	8 bar	360°=1 rotație = Approx 0.8 bar (Rotire în sens orar = Creșterea setării presiunii, Rotire în sens antiorar = Reducerea setării presiunii)
		Q	R404A/R452A/R507	15 bar	
		H	R404A/R507	15 bar	
		X	R404A/R507/R134a/R513A/ R407A/ R407F/R448A/R449A/R452A	15 bar	
		Y	R404A/R507/R449A	15 bar	
		B	R404A/R507/R448A/R449A/R452A	15 bar	
		X	Dacă agentul folosit este R134a	15 bar	Rotiți șurubul cu 9 ture în sens antiorar pentru a atinge 8 bar.

* Instalatorul poate configura setările necesare în funcție de utilizare.

18 - Setările din fabrică ale presostatului dual

Agenți frigorifici	Setări de presiune ridicată (bar (g))		Setări de presiune scăzută (bar (g))	
	PORNIT	OPRIT	PORNIT	OPRIT
R404A/R507/R407A/R407F/R448A/R449A/R452A	23	27	2	1
R134a/R513A	13	17	2	1

KP17WB



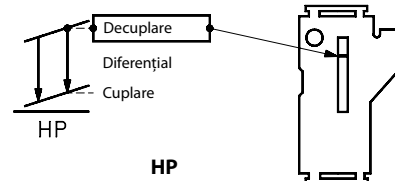
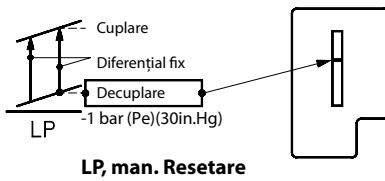
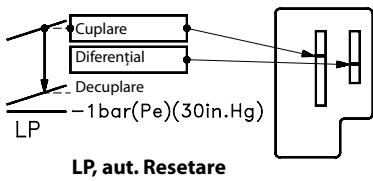
Controler pentru agentul frigorific specificat 61B5

Contacte	Tensiune		FL	LR	Rezistență Sarcină	Putere de închidere
	CA	CC	A	A		
A-B	240		8	48	8A	3A
	120		16	96	16A	
A-C		240				12W
A-D	240					50VA

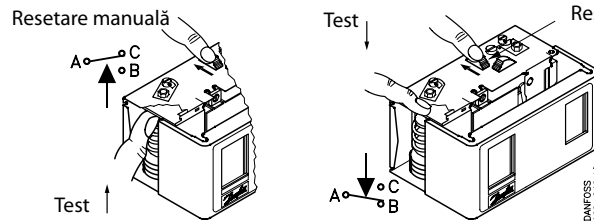
Se utilizează numai sârmă de cupru
Cuplu de torsiune 20lb.in.

La utilizarea conform standardelor UL

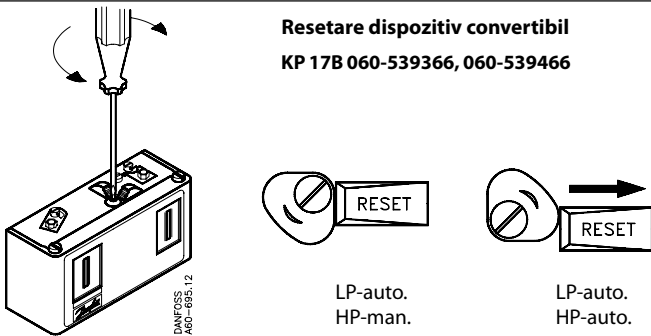
LR 112A	AC1 10A	400 V	DC 11
	AC3 10A		12 W
	AC11 10A		220 V



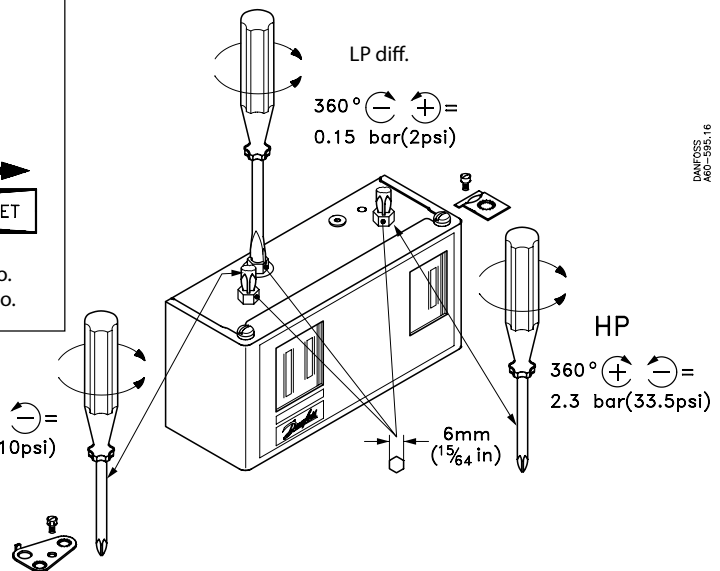
Test manual



Resetare dispozitiv convertibil
KP 17B 060-539366, 060-539466



LP
360° ⊕ ⊖ =
0.7 bar(10psi)



Pokyny

Optyma™ Slim Pack

OP-LSQM / LSHM / MSXM / MSHM
MSGM / MSYM / MSBM

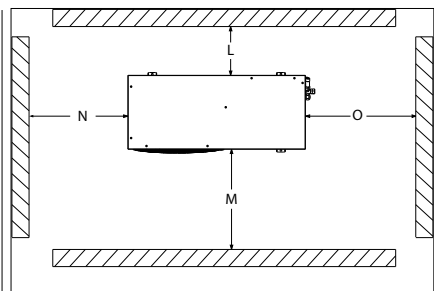
Typový štítek

A	OP-MSXM068MLW05E		 MADE IN INDIA
B	114X7068		
C	Application	MBP	IP 54
D	Refrigerant	(1) R404A R507 R448A/R449A R407A/R407F/R452A	(2) R134a R513A
E	M.W.P. HP	(1) 28 bar	(2) 23 bar
	M.W.P. LP	(1) 7 bar	(2) 5 bar
F	Voltage	230 V ~ 1N ~ 50Hz	Max Ref Qty 5.4 kg
	LRA	60 A	MCC 19 A
	OIL INSIDE	POE 46	RLA 8.3 A
			PS _{HP} 28 bar
G	Serial No.	064119CG1517	
	EAN No.	XXXXXXXXXXXXXX	

Danfoss Ltd., 22 Wycombe End, HP9 1NB, GB
Импортер: ТОВ «Ілліноєс ТОВ» 04080, Катіа 80, н/с 168, Ужгород

* Přesné hodnoty najdete na typovém štítku v jednotce.

- A: Model
- B: Objednací číslo
- C: Aplikace, el. krytí
- D: Chladivo
- E: Provozní přetlak tělesa (Maximální pracovní tlak)
- F: Napájecí napětí, proud při zablokovaném rotoru, Maximální pracovní tlak
- G: Výrobní číslo a čárový kód



Obrázek 1: Minimální montážní vzdálenosti

L [mm]	M [mm]	N [mm]	O [mm]
250	650	550	550

⚠ Montáž a servis kondenzačních jednotek mohou provádět pouze kvalifikovaní pracovníci. Při montáži, uvádění do provozu, údržbě a servisu dodržujte tento návod a správné technické postupy pro práci s chladicími zařízeními.

⚠ Kondenzační jednotka smí být použita pouze k účelům pro něž byla konstruována a v mezích povoleného rozsahu tlaků a teplot.

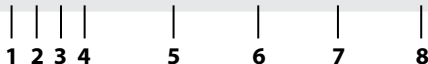
⚠ Za všech okolností musí být splněny požadavky normy EN378 (nebo jiných platných místních bezpečnostních předpisů).

● Kondenzační jednotka je dodávána naplněná stlačeným dusíkem (1 bar), a proto ji v tomto stavu nelze hned připojit; další informace najdete v kapitole «Montáž».

● Kondenzační jednotka musí být přemísťována ve svislé poloze (max. odklon od svislé osy: 15°).

Systém označení pro řadu Optyma™ Slim Pack

OP - MSXM 034 ML W05 G

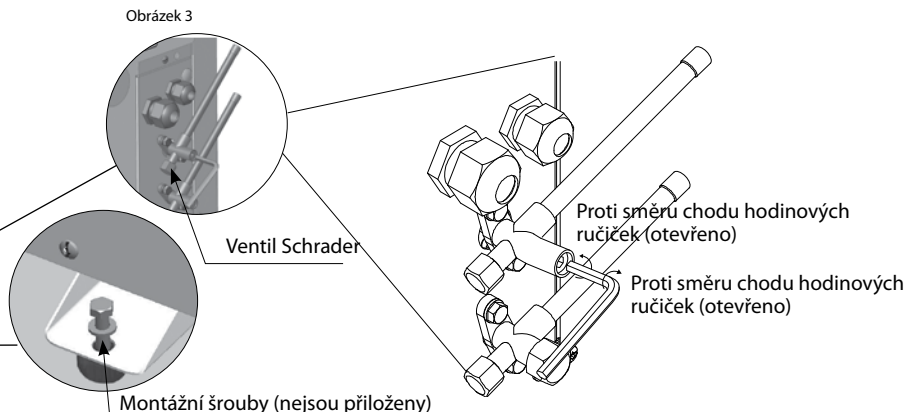
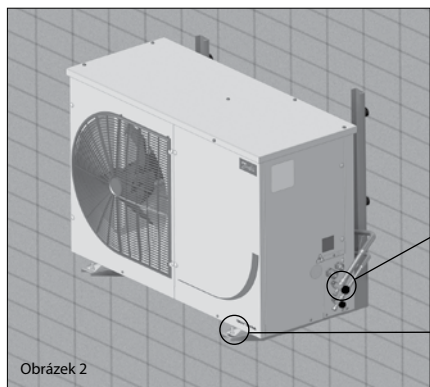


1	Aplikace M = MBP L = LBP
2	Balení Skupina kondenzačních jednotek: S = Slim Pack
3	Chladivo H = R404A/R507 ; G = R134a, R513A ; Q = R452A, R404A/R507 X = R404A/R507, R134a, R407A, R407F, R448A, R513A, R449A, R452A ; Y = R404A/R507, R448A, R449A; B = R404A/R507, R449A, R452A; P = R448A/R449A, R407A/F, R404A/R507, O = R452A, R404A/R507, R448A, R449A
4	Kondenzátor M = Mikrokanálový kondenzátor
5	Zdvihový objem Zdvihový objem v cm ³ : Příklad 034 = 34 cm ³
6	Platforma kompresoru MLZ, LLZ = Spirálový kompresor MTZ a NTZ = Pístový kompresor
7	Verze W05/W09: Optyma™ Slim Pack
8	Kód napětí G = 230V/jednofázový kompresor a 230V/jednofázový ventilátor E = 400V/Třífázový kompresor a 230V/jednofázový ventilátor

Správa verzí

Optyma™ Slim Pack	W05	W09
Krytí	IP54	
Kompresorová technologie	Spirálový/Pístový	
Řídicí jednotka (propojená elektrická skříňka)	ano	
Mikrokanálový kondenzátor	ano	
Regulátor otáček ventilátoru	-	ano
Hlavní vypínač (jistič)	-	ano
Filtrdehydrátor (flérové spoje)	ano	
Průhledítko	ano	
Vyhřívání olejové vany	ano	
VT/NT nastavitelný presostat	Auto/Režim ručního resetování	
Termostat pro vypouštění plynu (volitelný doplněk)	ano*	
Alarm VT/NT (volitelný doplněk)	ano*	

Pokyny



1 – Úvod

Tyto pokyny platí pro kondenzační jednotky Op-tyma™ Slim Pack OP-LSHM/MSHM/MSGM/LSQM/MSXM/MSYM/MSBM (R448A, R449A, R452A, R407A, R407F, R507, R404A, R134a, R513A) používané pro chladicí systémy. Pokyny obsahují nezbytné informace o bezpečné a správné obsluze tohoto zařízení.

Kondenzační jednotka se skládá z těchto dílů:

- Spirálový/pístový kompresor
- Mikrokanálový výměník tepla
- Kombinované vysoko- a nízkotlaké presostaty
- Servisní ventily sání/kapalina
- Pevná skříň odolná vůči vlivům povětrnosti (IP 54)
- Filtredehydrátor
- Vyhřívání olejové vany kompresoru
- Sběrač s uzavíracím ventilem
- Průhledítko
- Fázové sekvenční relé (spirálový kompresor)
- Plně zapojený elektrický panel (včetně hlavního vypínače, stykače kompresoru, nadproudového relé)
- Regulator otáček ventilátoru a externí hlavní vypínač (pouze model W09)

2 – Manipulace a skladování

- Doporučuje se rozbalit až na místě konečné montáže.
- S jednotkou zacházejte opatrně. Obal umožňují použití vysokozdvíhacího vozíku nebo paletového zvedáku. Použijte vhodné a bezpečné zdvihací zařízení.
- Jednotku skladujte a přepravujte ve svislé poloze.
- Jednotku skladujte při teplotách od -35 do 50 °C.
- Chraňte obal před deštěm a korozivním prostředím.
- Po rozbalení zkontrolujte, zda je jednotka kompletní a nepoškozená.

3 – Pokyny pro montáž

- ⚠ Neprovádějte pájení, dokud je kondenzační jednotka pod tlakem.
- ⚠ Jednotku nikdy nemontujte do snadno vznětlivého prostředí.
- ⚠ Umístěte jednotku tak, aby neblokovala nebo nepřekážela v místech, kde se chodí, kde jsou dveře nebo okna apod.

- Ponechte kolem jednotky dostatečný prostor na cirkulaci vzduchu a na otevření dvířek. Minimální vzdálenosti od stěny jsou uvedeny na obrázku 1.
- Neinstalujte jednotku do míst, kam dlouhodobě svítí přímé slunce.
- Neinstalujte jednotku do agresivních a prašných prostředí.
- Zajistěte dostatečně pevný a stabilní vodorovný základ pro jednotku (sklon menší než 3°), který unese celou hmotnost jednotky a eliminuje vib-

race a interference.

- Teplota prostředí kolem jednotky nesmí v době, kdy je vypnuta, přesáhnout 50 °C.
- Zajistěte, aby napájení odpovídalo jmenovitým hodnotám jednotky (viz výrobní štítek).
- Při montáži jednotek pro chladiva HFC nebo HFO používejte jen nářadí určené pro práci s chladivem HFC nebo HFO, které nebylo nikdy použito s chladivem CFC nebo HCFC.
- Používejte čisté a dehydrované měděné trubky určené pro chladicí zařízení a při pájení použijte stříbrnou pájku.
- Do zařízení montujte jen čisté, vysušené díly. Sací potrubí připojené ke kompresoru musí ohebně pružit ve třech směrech a tak tlumit vibrace. Potrubí je třeba vést tak, aby se olej mohl vracet do kompresoru a aby se zamezilo riziku hromadění kapaliny v kompresoru.

4 – Montáž

- Zařízení, do kterého je kondenzační jednotka namontována, musí vyhovovat směrnici EEC o tlakových zařízeních (PED) č. 97/23/ES. Samotná kondenzační jednotka není „jednotkou“ ve smyslu této směrnice.
- Jednotka musí být od začátku bezpečně připevněna ke stabilní a pevné základně. Viz obrázek 2
- **Doporučuje se namontovat jednotku na pryžové podložky nebo silentbloky (nejsou přiloženy).**
- Pomalu vypusťte dusík ventilem Schrader.
- Co nejrychleji připojte jednotku k systému, aby nedošlo ke kontaminaci oleje okolní vlhkostí.
- Při řezání trubek dbejte, aby do systému nevnikly žádné cizí materiály. Nikdy nevrtejte otvory tam, kde nelze odstranit otřepy.
- Spoje pečlivě pájejte při použití moderní techniky, potrubí přitom profukujte dusíkem.
- Připojte požadovaná bezpečnostní a regulační zařízení. Pokud k tomu použijete otvor ventilu Schrader, odmontujte vnitřek ventilu.
- Doporučuje se izolovat sací potrubí až ke vstupu do kompresoru izolací o tloušťce 19 mm.

5 – Zkouška těsnosti

- ⚠ Nikdy netlakujte okruh kyslíkem nebo suchým vzduchem. Mohlo by dojít k požáru nebo výbuchu.
- Nepoužívejte indikační kapalinu k detekci netěsností. Zkoušku těsnosti provádějte na kompletně smontovaném zařízení.
- Maximální povolený zkušební přetlak 31^{*)} barů.
- Pokud objevíte netěsnost, opravte ji a zopakujte zkoušku těsnosti.

^{*) 25 barů pro modely OP-.....AJ.... a OP-.....FH....}

6 – Vakuové odstranění vlhkosti

- Nikdy nepoužívejte kompresor k vakuování chladicího okruhu.

- Připojte vývěvu k vysokotlaké i nízkotlaké straně okruhu.
- V systému dosáhněte vakua nižšího než 500 μm Hg (0,67 mbar).
- Je-li v systému vakuu nepoužívejte na kompresoru megaohmmetr ani kompresor nepřipojujte k el. síti, mohl by se poškodit.

7 – Elektrické zapojení

- Vypněte a odpojte hlavní přívod el. proudu.
- Zajistěte, aby během instalace nemohl být zapnut přívod el. proudu.
- Všechny elektrické součásti musí vyhovovat místním el. normám i požadavkům jednotky.
- Podrobnější informace o elektrickém zapojení najdete ve schématu zapojení.
- Parametry přívodu el. proudu musí odpovídat jmenovitým hodnotám jednotky a také musí být stabilní (jmenovité napětí ±10 % a jmenovitá frekvence ±2,5 Hz).
- Kapacita přívodních kabelů musí odpovídat požadovanému napětí a proudu jednotky.
- Chraňte přívod el. proudu a zajistěte správné uzemnění.
- Přívod el. proudu zapojte v souladu s místními normami a požadavky.
- Jednotka je vybavena vysokotlakými a nízkotlakými presostaty, které v případě aktivace přímo odpojí napájení kompresoru a vydávají výstražné signály střídavého napětí 230 V (max. 50 VA). Parametry vypínání při vysokém a nízkém tlaku se nastavují podle příslušného modelu kompresoru, použitého chladiva a aplikace. Jednotky s kompresory Danfoss MLZ a LLZ jsou rovněž vybaveny fázovým sekvenčním relé, které zajišťuje ochranu jednotky proti ztrátě fáze, asymetrii a nízkému, respektive příliš vysokému napětí.

U jednotek s třífázovým spirálovým kompresorem změňte pořadí fází tak, aby se kompresor otáčel správným směrem.

- Správné pořadí fází určete fázoměrem (L1, L2 a L3).
- Připojte fáze L1, L2 a L3 ke svorkám hlavního vypínače T1, T2 a T3.

8 – Bezpečnost

Tavná tepelná pojistka není v jednotce k dispozici, byla nahrazena rozvodkou.

Jednotka je vybavena jímadlem kapaliny s rozvodkou s 3/8" NPT závitem. Montážní technik či koncový uživatel si může vybrat z různých možností zmiňovaných v normě ČSN EN 378-2: 2016 Článek 5.6.2.2.3

Jednotka/instalace, do které je kondenzační jednotka montována či integrována, musí vyhovovat Směrnici o tlakových zařízeních (PED).

- Dávejte pozor na extrémně horké a chladné

Pokyny

komponenty.

- Dávejte pozor na pohyblivé komponenty. Během provádění servisu je nutné odpojit napájení.

9 – Plnění chladicího okruhu

- Používejte ochranné prostředky: ochranné brýle a rukavice.
- Je-li v okruhu vakuum nikdy nespouštějte kompresor. Ponechte kompresor vypnutý.
- Před doplňováním chladiva zkontrolujte, zda je hladina oleje v průhledítce kompresoru mezi $\frac{1}{4}$ a $\frac{3}{4}$. Při doplňování oleje použijte typ oleje uvedený na štítku kompresoru.
- Používejte pouze chladivo, pro které je jednotka určena.
- Chladivo v kapalném stavu plňte do kondenzátoru nebo sběrače chladiva. Okruh pomalu natakujte na 4–5 barů u chladiva R404A/R507A/R407A/R407F/R448A/R449A nebo R452A a na cca 2 bary u R134a/R513A.
- Nedoplňujte kapalné chladivo do sacího potrubí.
- Není povoleno míchat aditiva s olejem nebo chladivem
- Zbývající doplnění chladiva se provádí až když zařízení během provozu dosáhne ustáleného jmenovitého stavu.
- Nikdy nenechte plnicí válec trvale připojený k okruhu.

10 – Kontrola před uvedením do provozu

⚠ Bezpečnostní zařízení, jako jsou např. bezpečnostní tlakový jistič a mechanický pojistný ventil, používejte v souladu s všeobecnými i místními platnými předpisy a bezpečnostními normami. Zkontrolujte, zda jsou funkční a správně nastavené.

⚠ Zkontrolujte, zda nastavení vysokotlakých presostatů a pojistných ventilů nepřekračuje maximální provozní tlak kteréhokoli dílu použitého v zařízení.

- Ověřte, zda jsou všechna elektrická připojení řádně zapojena a odpovídají místním předpisům.
- Pokud je zapotřebí vyhřívání olejové vany, musí být připojeno k el. síti alespoň 12 hodin před prvním uvedením do provozu nebo spuštěním po delší době nečinnosti.

11 – Spuštění

- Nikdy nespouštějte jednotku bez náplně chladiva.
- Všechny provozní ventily musí být otevřeny. Viz obrázek 3.
- Zkontrolujte správnost parametrů přívodu el. proudu.
- Zkontrolujte, zda funguje vyhřívání olejové vany.
- Zkontrolujte, zda se ventilátor volně otáčí.
- Zkontrolujte, zda byl sundán ochranný kryt ze zadní strany kondenzátoru.
- Vyrovnejte tlak mezi vysokotlakou a nízkotlakou stranou.
- Zapněte jednotku. Musí se ihned rozběhnout. Pokud se kompresor nerozběhne, zkontrolujte správnost elektrického zapojení, napětí na přírodních svorkách a pořadí fází.
- Případný obrácený směr otáčení u třífázového kompresoru poznáte podle těchto příznaků: jednotka je vybavena relé pro obrácení fází a nerozběhne se, kompresor nevytváří tlak, je abnormálně hlučný a má nezvykle nízkou spotřebu energie. V tomto případě ihned vypněte jednotku a změňte pořadí fází.
- Pokud je směr otáčení správný, bude sací tlak klesat (viz indikace tlaku na nízkotlakém manometru) a výtlaký tlak stoupat (viz indikace tla-

ku na vysokotlakém manometru).

12 – Kontroly u spuštěné jednotky

- Zkontrolujte směr otáčení. Vzduch musí proudit od kondenzátoru směrem k ventilátoru.
- Zkontrolujte odběr proudu a napětí.
- Zkontrolujte, zda není příliš vysoké přehřátí chladiva v sání, snižte tak nebezpečí poškození zařízení.
- Má-li kompresor hladinoznak kontrolujte při rozběhu a během provozu hladinu oleje, hladina oleje musí být vidět v hladinoznaku.
- Dodržujte provozní limity.
- Zkontrolujte, zda potrubí nadměrně nevibruje. Výkyvy překračující 1,5 mm je třeba odstranit, např. instalací držáků potrubí.
- V případě potřeby doplňte chladivo v kapalném stavu na nízkotlaké straně co nejdále od kompresoru. Během doplňování chladiva musí běžet kompresor.
- Neplňte do zařízení více chladiva než je max. povolená náplň.
- Dodržujte místní předpisy pro recyklaci chladiva z jednotky.
- Nikdy nevypouštějte chladivo do ovzduší.
- Před opuštěním místa montáže proveďte celkovou kontrolu zařízení zaměřenou na čistotu, hlučnost a těsnost.
- Pro budoucí kontroly zaznamenejte typ chladiva a množství náplně a také provozní podmínky.

13 – Údržba

⚠ Před demontáží panelu ventilátoru vždy vypněte jednotku hlavním vypínačem.

⚠ Vnitřní tlak a povrchová teplota jsou nebezpečné a mohou způsobit vážná zranění. Pracovníci údržby a technici musí mít dostatečné odborné znalosti a správné nástroje. Teplota uvnitř potrubí může překročit 100 °C a způsobit vážné popálení.

⚠ Provádějte pravidelné servisní prohlídky, zvýšíte tím spolehlivost zařízení. Zajistěte pravidelné revize zařízení podle místních předpisů.

Abyste zajistili bezporuchový provoz chlazení, doporučujeme tuto pravidelnou preventivní údržbu:

- Zkontrolujte, zda jsou bezpečnostní prvky funkční a správně nastavené.
- Zkontrolujte těsnost zařízení.
- Zkontrolujte odběr proudu kompresoru.
- Zkontrolujte, zda funkce zařízení odpovídá údajům z předchozí údržby a provozním podmínkám.
- Zkontrolujte řádné zapojení a stav všech elektrických spojů.
- Udržujte zařízení v čistotě a kontrolujte, zda jeho součásti, potrubí a elektrické spoje nejsou zkorodované a zoxidované.

Alespoň jednou ročně kontrolujte, zda není kondenzátor ucpaný a případně jej vyčistěte. K vnitřní straně kondenzátoru se dostanete po otevření dvířek ventilátoru. Mikrokanalové kondenzátory se zanášejí spíše na povrchu než uvnitř, proto se snáze čistí než kondenzátory s žebrovými trubkami.

- Před demontáží jakéhokoli panelu z kondenzační jednotky vypněte jednotku hlavním vypínačem.
- Povrchové nečistoty, listy, vlákna atd. odstraňujte vysavačem s kartáčovým nebo jiným měkkým nástavcem. Alternativně profoukněte kondenzátor stlačeným vzduchem směrem zevnitř ven a očistěte jemným kartáčem. Nepoužívejte drátěný kartáč. Dejte pozor, abyste trubicí vysavače nebo vzduchovou tryskou nenarazili do

lamel nebo je nepoškrábali.

Pokud byl chladicí okruh otevřen, musí se propláchnout suchým vzduchem nebo dusíkem, aby se odstranila vlhkost, a musí se namontovat nový filtrdehydrátor.

- Při odsávání chladiva zajistěte, aby chladivo neuniklo do okolního prostředí.

Instrukce demontáže servisního panelu pro verzi W09



krok 1: Odpojte napájení. Před prováděním servisu zkontrolujte, zda je vypnutý hlavní vypínač.



krok 2: Vyšroubujte všechny šrouby z horního panelu a sundejte horní panel.



krok 3: Vyšroubujte všechny šrouby z bočního panelu.



krok 4: Sundejte boční panel paralelní s hlavním vypínačem.

Pokyny

14 – Prohlášení o zabudování

• **Pressure Equipment Directive 2014/68/ EU EN 378-2:2016** – Chladicí zařízení a tepelná čerpadla – Bezpečnostní a environmentální požadavky – Část 2: Konstrukce, výroba, zkoušení, značení a dokumentace
Směrnice pro elektrická zařízení určená pro používání v určitých mezích napětí 2014/35/ EU ČSN EN 60335-1:2012 + A11:2014 – Elektrické spotřebiče pro domácnost a podobné účely – Bezpečnost – Část 1: Obecné požadavky – pro všechny výše zmíněné kondenzační jednotky
SMĚRNICE Eco-design 2009/125/ES, stanovující rámec pro určení požadavků na ekodesign výrobků spojených se spotřebou energie.
NAŘÍZENÍ (EU) 2015/1095, týkající se implementace Směrnice Eco-design 2009/125/ES z hlediska

požadavků na ekodesign profesionálních chladicích skříní, pískovacích boxů, kondenzačních jednotek a procesních chladicích zařízení.

• Měření kondenzačních jednotek se provádí v souladu s normou „EN 13771-2:2007“ – Kompresory a kondenzační jednotky pro chlazení – Měření výkonnosti a zkušební metody – Část 2: Kondenzační jednotky

15 – Záruka

Při každé reklamaci tohoto zařízení vždy uvádějte typ (model) a výrobní číslo.

Záruka na zařízení může pozbýt platnosti z těchto důvodů:

- Chybí výrobní štítek.
- Nepovolené externí úpravy, zejména vrtání, svařování, poškozené nohy a známky nárazů.


- Kompresor byl rozříznut nebo vrácen s otevřenými trubkami.
- Uvnitř kompresoru je rez, voda nebo detekční kapalina.
- Použití chladiva nebo oleje neschváleného společností Danfoss.
- Jakékoli nedodržení doporučených pokynů pro montáž, použití a údržbu.
- Použití v mobilních aplikacích.
- Použití ve výbušném prostředí.
- Neuvedení typu (modelu) nebo výrobního čísla při uplatňování reklamace,

16 – Likvidace



Danfoss doporučuje, aby kondenzační jednotky a oleje byly předány k recyklaci příslušným firmám.

17 - Nastavení regulátoru otáček ventilátoru pro chladivo R134a/R513A

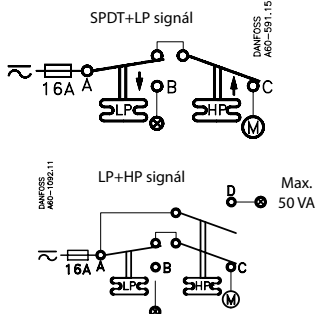
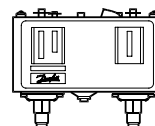
Typ regulátoru otáček ventilátoru	Regulátor otáček ventilátoru Číslo náhradního dílu	Písmeno chladiva	Pro chladivo	Tovární nastavení	Nutný zásah
 XGE-2C	061H3144	G	R134a/R513A	8 barů	360°=1 otáčka= cca 0.8 baru (Otáčení ve směru hodinových ručiček= Zvýšení nastaveného tlaku, Otáčení proti směru hodinových ručiček = Snížení nastaveného tlaku)
	061H3248	Q	R404A/R452A/R507	15 barů	
		H	R404A/R507	15 barů	
		X	R404A/R507/R134a/R513A/ R407A/ R407F/R448A/R449A/R452A	15 barů	
		Y	R404A/R507/R449A	15 barů	
		B	R404A/R507/R448A/R449A/R452A	15 barů	
X	Pokud je použito chladivo R134a	15 barů	Otočte šroub o 9 otáček proti směru hodinových ručiček pro nastavení 8 barů		

* Montážní technik může provést požadované nastavení podle dané aplikace.

18 - Tovární nastavení duálního tlakového spínače

Chladiva	Nastavení vysokého tlaku (bar (g))		Nastavení nízkého tlaku (bar (g))	
	ZAPNUTO	VYPNUTO	ZAPNUTO	VYPNUTO
R404A/R507/R407A/R407F/R448A/R449A/R452A	23	27	2	1
R134a/R513A	13	17	2	1

KP17WB



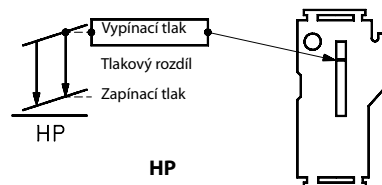
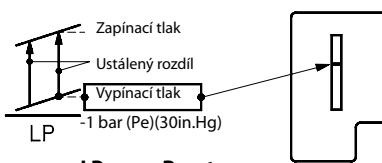
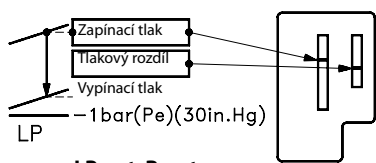
Uvedený regulátor ledničky 61B5

Kontakty	napětí		FL A	LR A	Odolnost Zatížení	Funkce pilotu
	AC	DC				
A-B	240		8	48	8A	3A
A-C	120		16	96	16A	
A-D	240					12W
						50VA

Používejte pouze měděné dráty
Utahovací moment 2,26 Nm.

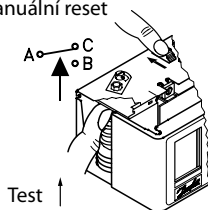
Při použití dle norem UL

LR 112A	AC1 10A	400 V	DC 11
	AC3 10A		12 W
	AC11 10A		220 V

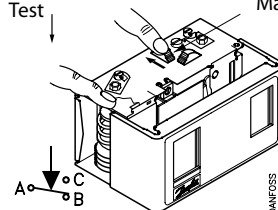


Manuální test

Manuální reset

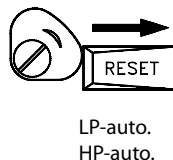
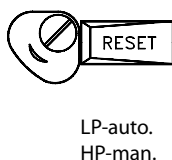
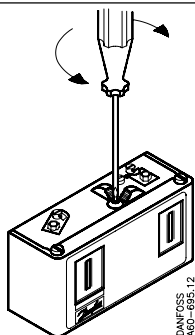


Test



Vratný reset

KP 17B 060-539366, 060-539466

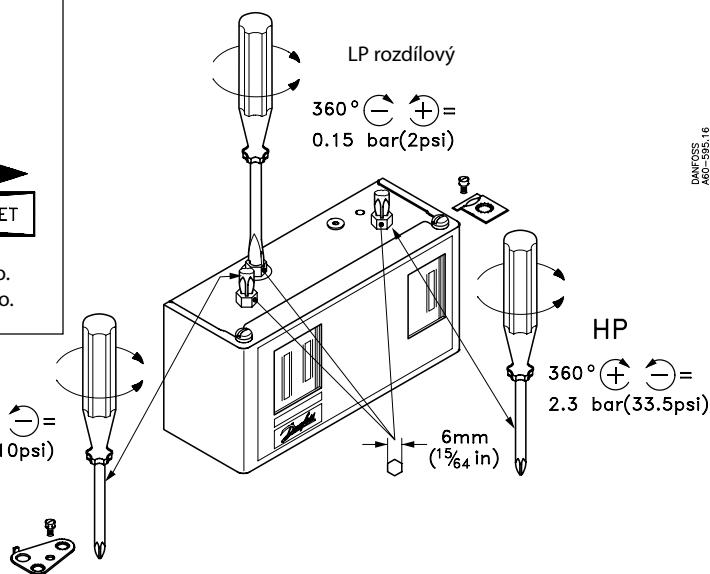


LP

360° ⊕ ⊖ =
0.7 bar(10psi)

LP rozdílový

360° ⊖ ⊕ =
0.15 bar(2psi)



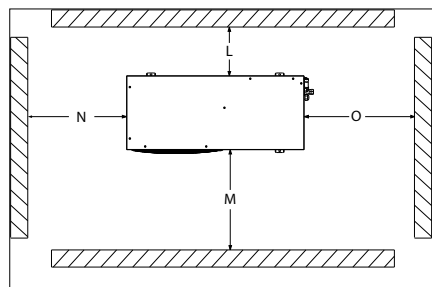
Instrukcje

Optyma™ Slim Pack

OP-LSQM / LSHM / MSXM / MSHM
MSGM / MSYM / MSBM

Tabliczka znamionowa

A	OP-MSXM068MLW05E	
B	114X7068	MADE IN INDIA
C	Application MBP	IP 54
D	Refrigerant (1) R404A R507 R448A/R449A (2) R134a	R513A
E	M.W.P. HP (1) 28 bar (2) 23 bar	(2) 5 bar
F	M.W.P. LP (1) 7 bar	
F	Voltage 230 V ~ 1N ~ 50Hz	Max Ref Qty 5.4 kg
	LRA 60 A	MCC 19 A
	OIL INSIDE POE 46	RLA 8.3 A
		PS _{HP} 28 bar
G	Serial No. 064119CG1517	
	EAN No. XXXXXXXXXXXXXXX	



Rysunek 1: Minimalne odległości montażowe

L [mm]	M [mm]	N [mm]	O [mm]
250	650	550	550

⚠️ Agregaty skraplające mogą być instalowane i serwisowane wyłącznie przez wykwalifikowany personel. Należy postępować zgodnie z tymi instrukcjami oraz dobrymi praktykami techniki chłodniczej dotyczącymi instalacji, uruchamiania, konserwacji i serwisowania.

⚠️ Agregatu skraplającego należy używać wyłącznie do celów zgodnych z jego przeznaczeniem oraz w zakresie przewidzianych dla niego zastosowań.

⚠️ Niezależnie od okoliczności należy bezwzględnie przestrzegać wymogów normy EN378 (lub innych obowiązujących krajowych przepisów bezpieczeństwa).

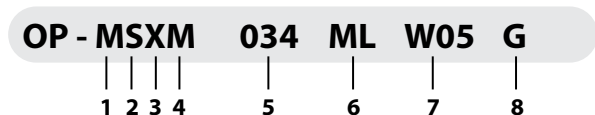
Dostarczony agregat skraplający jest napełniony azotem (o ciśnieniu 1 bara), dlatego nie należy go podłączać w takim stanie. Dodatkowe informacje podano w punkcie „Montaż”.

Zachować ostrożność podczas transportowania agregatu skraplającego i nie odchyłać go od pionu (dopuszczalne odchylenie od pionu: 15°).

* Dokładne wartości znajdują się na tabliczce znamionowej urządzenia

- A: Model
- B: Numer kodowy
- C: Zastosowanie, stopień ochrony
- D: Rodzaj czynnika chłodniczego
- E: Maksymalne ciśnienie robocze (maksymalne ciśnienie robocze)
- F: Napięcie zasilania, prąd rozruchowy wirnika, (maksymalne ciągłe natężenie prądu)
- G: Numer seryjny i kod kreskowy

System oznaczania gamy produktów Optyma™ Slim Pack

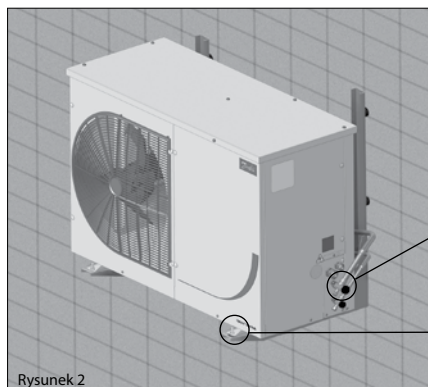


1	Aplikacja M = MBP L = LBP
2	Pakiet Rodzina agregatów skraplających: S = Slim Pack
3	Rodzaj czynnika chłodniczego H = R404A/R507 ; G = R134a, R513A ; Q = R452A, R404A/R507 X = R404A/R507, R134a, R407A, R407F, R448A, R513A, R449A, R452A ; Y = R404A/R507, R448A, R449A; B = R404A/R507, R449A, R452A; P = R448A/R449A, R407A/F, R404A/R507, O = R452A, R404A/R507, R448A, R449A
4	Skraplacz M = Skraplacz mikrokanałowy
5	Pojemność skokowa Pojemność skokowa w cm ³ . Przykład 034 = 34 cm ³
6	Typ sprężarki MLZ, LLZ = Sprężarka spiralna MTZ & NTZ = Sprężarka tłokowa
7	Wersja W05/W09: Optyma™ Slim Pack
8	Kod napięcia G = sprężarka 230V/1-faza oraz wentylator 230V/1 faza E = sprężarka 400V/3-faza oraz wentylator 230V/1 faza

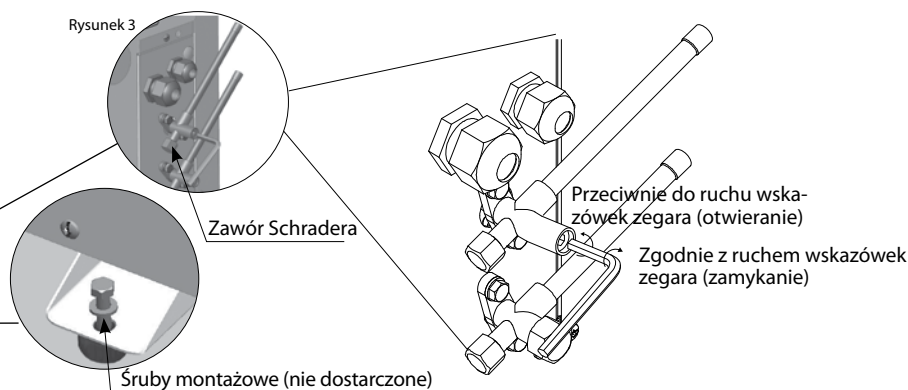
Kontrola wersji

Optyma™ Slim Pack	W05	W09
Stopień ochrony IP	IP54	
Technologia sprężarki	Spiralna/Tłokowa	
Skrzynka sterownicza (z gotowym do podłączenia E-panelem)	tak	
Skraplacz mikrokanałowy	tak	
Regulator prędkości obrotowej wentylatora	-	tak
Wyłącznik główny (bezpiecznik)	-	tak
Filtr odwadniacz (przyłącza śrubunkowe)	tak	
Wziernik	tak	
Grzałka karteru	tak	
Presostat regulowany HP/LP	Auto/Tryb ręcznego odblokowania	
Termostat gazu wylotowego (zabezpieczenie)	tak*	
Alarm HP/LP (zabezpieczenie)	tak*	

Instrukcje



Rysunek 2



Rysunek 3

Zawór Schradera

Śruby montażowe (nie dostarczone)

Przeciwnie do ruchu wskazówek zegara (otwieranie)

Zgodnie z ruchem wskazówek zegara (zamykanie)

1 — Wprowadzenie

Niniejsze instrukcje dotyczą agregatów skraplających Optyma™ Slim Pack OP-LSHM/MSHM/MSGM/LSQM/MSXM/MSYM/MSBM (R448A, R449A, R452A, R407A, R407F, R507, R404A, R134a, R513A) stosowanych w układach chłodniczych. Zawierają one podstawowe informacje na temat bezpieczeństwa i prawidłowego użytkowania tego urządzenia.

Agregat skraplający składa się z następujących elementów:

- Sprężarka spiralna/tłokowa
- Mikrokanałowy wymiennik ciepła
- Podwójny presostat
- Zawory serwisowe (ssawny/cieczowy)
- Obudowa chroniąca przed czynnikami atmosferycznymi (IP 54)
- Filtr odwadniacz
- Grzałka karтеру sprężarki
- Zbiornik cieczy z zaworem odcinającym
- Wziernik
- Przekaznik kontroli kolejności faz (sprężarka spiralna)
- W pełni okablowane wyposażenie elektryczne (obejmujące wyłącznik główny, stycznik sprężarki, przekaznik termiczny)
- Regulator prędkości obrotowej wentylatora oraz zewnętrzny wyłącznik główny (tylko W09)

2 — Przenoszenie i magazynowanie

- Nie zaleca się otwierania opakowania przed dostarczeniem agregatu do miejsca instalacji.
- Zachowywać ostrożność podczas przenoszenia agregatu. Opakowanie umożliwia użycie wózka widłowego lub podnośnika paletowego. Używać odpowiedniego i bezpiecznego sprzętu do podnoszenia
- Magazynować i transportować agregat w pozycji pionowej.
- Magazynować agregat w temperaturze od -35°C do 50°C.
- Chronić opakowanie przed działaniem deszczu oraz innych czynników atmosferycznych powodujących korozję.
- Po rozpakowaniu sprawdzić, czy agregat jest kompletny oraz czy nie jest uszkodzony.

3 — Środki ostrożności podczas instalacji

⚠ Nie przystępować do lutowania, gdy agregat skraplający znajduje się pod ciśnieniem.

⚠ Nigdy nie umieszczać agregatu w atmosferze łatwopalnej.

⚠ Ustawić agregat w taki sposób, aby nie blokował ani nie utrudniał przejścia, otwierania drzwi, okien itp.

- Zapewnić wokół agregatu odpowiednią ilość miejsca, aby umożliwić cyrkulację powietrza i otwieranie drzwi. Minimalne odległości od

ścian zostały przedstawione na rys. 1.

- Unikać montażu agregatu w miejscach narażonych codziennie na długotrwałe działanie promieni słonecznych.
- Unikać instalowania agregatu w miejscach o dużym zapyleniu lub w warunkach sprzyjających korozji.
- Zapewnić podstawę o poziomej powierzchni (nachylenie mniejsze niż 3°) oraz o wytrzymałości i stabilności umożliwiającej obciążenie masą agregatu w celu wyeliminowania drgań i zakłóceń.
- Temperatura otoczenia agregatu nie może przekraczać 50°C w czasie gdy urządzenie nie pracuje.
- Sprawdzić, czy napięcie zasilania odpowiada charakterystyce urządzenia (patrz tabliczka znamionowa).
- Podczas instalowania agregatów pracujących z czynnikami chłodniczymi HFC ani HFO stosować sprzęt przeznaczony specjalnie do tych czynników, który nigdy wcześniej nie był używany do czynników chłodniczych CFC ani HCFC.
- Używać czystych i osuszonych rur miedzianych przeznaczonych do kontaktu z czynnikami chłodniczymi oraz materiałów lutu ze stopem srebra.
- Używać czystych i osuszonych podzespołów układu.
- Ssawne przewody rurowe podłączone do sprężarki muszą być elastyczne w trzech wymiarach, aby możliwe było tłumienie drgań. Przewody rurowe należy podłączyć do agregatu w taki sposób, aby umożliwić powrót oleju do sprężarki i wyeliminować ryzyko przemieszczenia cieczy do sprężarki.

4 — Montaż

- Instalacja, do której ma zostać podłączony agregat skraplający, musi być zgodna z wymogami Dyrektywy ciśnieniowej EEC (PED) nr 97/23/EC. Agregat skraplający nie jest „urządzeniem” w rozumieniu tej dyrektywy.
- Na początku instalacji należy pewnie przymocować agregat do stabilnej i sztywnej podstawy. Patrz rys. 2
- **Zaleca się montować agregat na gumowych pierścieniach lub podkładkach tłumiących drgania (nie dostarczane z agregatem).**
- Powoli usunąć azot przez zawór Schradera.
- Jak najszybciej podłączyć agregat do układu, aby uniknąć zanieczyszczenia oleju wilgocią z otoczenia.
- Nie dopuścić do przedostania się materiału do układu podczas cięcia rurek. Nigdy nie wiercić otworów w przypadku braku możliwości wyjęcia zadziorów.
- Lutować z zachowaniem szczególnej ostrożności,

- stosując najnowocześniejsze techniki oraz przepuszczając azot przez przewody rurowe.
- Podłączyć wymagane urządzenia bezpieczeństwa i sterowania. W przypadku używania zaworu Schradera wymontować zawór wewnętrzny.
- Zaleca się założenie izolacji o grubości 19 mm na rurę ssawną do wlotu sprężarki.

5 — Wykrywanie nieszczelności

⚠ Nigdy nie napełniać układu tlenem ani suchym powietrzem. Może to być przyczyną pożaru lub eksplozji.

- Nie używać barwników do wykrywania nieszczelności.
- Przeprowadzić próbę wykrywania nieszczelności na kompletnym układzie.
- Maksymalne ciśnienie próby wynosi 31^{*)} bar.
- Po wykryciu nieszczelności należy ją usunąć i powtórzyć próbę.

^{*)} 25 bar dla modeli OP-.....AJ... & OP-.....FH...

6 — Osuszanie próżniowe

- Nigdy nie używać sprężarki do usuwania gazu z układu.
- Podłączyć pompę próżniową do stron niskiego i wysokiego ciśnienia.
- Obciążyć układ podciśnieniem bezwzględny 500 μm Hg (0,67 mbara).
- Nie używać megomierza ani nie podłączać sprężarki do zasilania podczas obciążania podciśnieniem, ponieważ mogłoby to spowodować wewnętrzne uszkodzenie.

7 — Podłączenie podzespołów elektrycznych

- Wyłączyć i odizolować główne źródło zasilania.
- Upewnić się, że włączenie zasilania podczas instalacji jest niemożliwe.
- Wszystkie podzespoły elektryczne należy dobrać zgodnie z normami lokalnymi i wymogami agregatu.
- Szczegółowe informacje na temat połączeń elektrycznych zamieszczono na schemacie okablowania.
- Upewnić się, że źródło zasilania jest zgodne z wymogami agregatu i że jest stabilne (napięcie znamionowe ±10% i częstotliwość znamionowa ±2,5 Hz).
- Dobrać odpowiednie przekroje przewodów zasilających, dostosowane do napięcia i prądu pobieranego przez agregat.
- Zabezpieczyć źródło zasilania i zapewnić prawidłowe uziemienie.
- Dostosować źródło zasilania do lokalnych norm i przepisów.
- Urządzenie jest wyposażone w presostaty wysokiego i niskiego ciśnienia, które w przypadku uaktywnienia odcinają bezpośrednio zasilanie od sprężarki i emitują sygnały alarmowe z sygnalizatora zasilanego napięciem zmiennym-sięciowym

Instrukcje

230 V (maks. 50 VA). Instalator powinien ustawić parametry wyłączenia dla wysokiego i niskiego ciśnienia, uwzględniając model sprężarki, rodzaj czynnika chłodniczego oraz aplikację w której urządzenie jest zastosowane. W agregatach wyposażonych w sprężarkę Danfoss MLZ i LLZ zastosowano także przełącznik kontroli kolejności faz, aby zabezpieczyć je przed utratą fazy/zmianą kolejności faz/asymetrią faz, a także przed zbyt wysokim lub zbyt niskim napięciem zasilającym.

W przypadku agregatów wyposażonych w trójfazową sprężarkę spiralną należy zachować odpowiednią kolejność podłączania faz, zgodną z kierunkiem obrotów sprężarki.

- Użyć miernika faz, w celu ustalenia kolejności faz L1, L2 i L3.
- Podłączyć przewody faz L1, L2 i L3 do odpowiednich zacisków głównego wyłącznika T1, T2 i T3.

8 – Bezpieczeństwo

Wtyczka bezpiecznikowa nie jest dostępna w urządzeniu, jest zastąpiona wtyczką adaptera.

Urządzenie wyposażone jest w zbiornik cieczy z wtyczką adaptera ze złączem 3/8» NPT. Instalator/użytkownik końcowy może wybrać różne opcje wymienione w EN378-2: 2016 Artykuł § 6.2.2.3

- Urządzenie/instalacja, w której zamontowany/zintegrowany jest agregat skraplający, musi być zgodna z PED.
- Uważać na bardzo gorące i zimne elementy.
- Uważać na elementy będące w ruchu. Podczas serwisowania należy odłączyć zasilanie elektryczne.

9 — Napełnianie układu

- Nosić sprzęt ochrony osobistej, taki jak okulary i rękawice ochronne.
- Nigdy nie uruchamiać sprężarki obciążonej podciśnieniem. Sprężarka musi być wyłączona.
- Przed dodaniem czynnika chłodniczego należy sprawdzić we wzorniku sprężarki, czy poziom oleju znajduje się pomiędzy oznaczeniami ¼ a ¾. Jeśli wymagane jest dodanie oleju, należy sprawdzić jego typ na etykiecie sprężarki.
- Używać wyłącznie czynnika chłodniczego odpowiedniego dla danego agregatu.
- Napełnić układ czynnikiem chłodniczym przez skraplacz lub zbiornik cieczy. Powoli napełniać układ do ciśnienia 4–5 barów w przypadku urządzeń R404A/R507A/R407A/R407F/R448A/R449A lub R452A oraz około 2 barów w przypadku urządzeń R134a/R513A.
- Nie napełniać układu czynnikiem chłodniczym przez przewód ssawny.
- Nie wolno stosować dodatków do oleju i/lub czynnika chłodniczego.
- Pozostałą część czynnika należy dodać w taki sposób, aby uzyskać parametry znamionowe charakterystyczne dla pracy instalacji.
- Nigdy nie pozostawiać butli do napełniania podpiętej do układu.

10 — Sprawdzenie przed uruchomieniem

▲ Używać urządzeń zabezpieczających, takich jak presostat wysokiego ciśnienia oraz mechaniczny zawór nadmiarowy, zgodnych z obowiązującymi przepisami ogólnymi i lokalnymi oraz normami bezpieczeństwa. Sprawdzić, czy te urządzenia są sprawne i prawidłowo ustawione.

▲ Sprawdzić, czy nastawy presostatu wysokiego ciśnienia i zaworów nadmiarowych nie przekraczają maksymalnego ciśnienia roboczego któregośkolwiek z podzespołów układu.

- Sprawdzić, czy wszystkie podłączenia elektryczne są odpowiednio przymocowane i zgodne z przepisami lokalnymi.
- Gdy wymagane jest użycie grzałki karтеру, musi być ona zasilana przez co najmniej 12 godzin przed pierwszym uruchomieniem oraz uruchomieniem po długotrwałym wyłączeniu.

11 — Uruchomienie

- Nigdy nie uruchamiać agregatu przy braku czynnika chłodniczego.
- Wszystkie zawory serwisowe muszą być otwarte. Patrz rys. 3.
- Sprawdzić zgodność agregatu i źródła zasilania.
- Sprawdzić, czy grzałka karтеру jest włączona.
- Sprawdzić, czy wentylator może się swobodnie obracać.
- Sprawdzić, czy z tylnej części skraplacza została zdjęta osłona ochronna.
- Zrównoważyć wartości po stronie wysokiego i niskiego ciśnienia.
- Podłączyć agregat do zasilania energią elektryczną. Agregat musi się niezwłocznie uruchomić. Jeżeli sprężarka się nie uruchamia, sprawdzić poprawność okablowania, napięcie na zaciskach oraz kolejność podłączenia faz.
- Odwrotny kierunek obrotów sprężarki 3-fazowej można wykryć w następujący sposób: urządzenie wyposażone jest w przełącznik zamiany faz i sprężarka nie uruchamia się, nie powoduje zwiększenia ciśnienia, ale jest bardzo głośna oraz pobiera bardzo mały prąd. W takiej sytuacji należy natychmiast wyłączyć agregat i prawidłowo podłączyć fazy do odpowiednich zacisków.
- Jeśli kierunek obrotów jest prawidłowy, wskazanie niskiego ciśnienia na manometrze powinno wskazywać spadek ciśnienia, a wskazanie wysokiego ciśnienia powinno sygnalizować wzrost ciśnienia.

12 — Sprawdzenie działania agregatu

- Sprawdzić kierunek obrotów wentylatora. Powietrze musi przepływać od skraplacza w kierunku wentylatora.
- Sprawdzić pobór prądu i napięcie.
- Sprawdzić przegrzanie na ssaniu w celu zmniejszenia ryzyka „podlewania sprężarki cieczą”.
- Jeśli urządzenie jest wyposażone we wzornik, należy sprawdzić poziom oleju podczas rozruchu i w trakcie eksploatacji olej musi pozostać widoczny.
- Przestrzegać roboczych wartości granicznych.
- Sprawdzić wszystkie rurki pod kątem niepożądanego drgań. Ruchy przekraczające 1,5 mm wymagają działań naprawczych, takich jak zastosowanie wsporników rurek.
- W razie potrzeby można uzupełnić czynnikiem chłodniczym po stronie niskiego ciśnienia w jak największej odległości od sprężarki. Podczas tego procesu sprężarka musi pracować.
- Nie wprowadzać do układu zbyt dużo czynnika.
- Przestrzegaj lokalnych przepisów dotyczących zbierania czynnika chłodniczego z urządzenia.
- Nigdy nie usuwać czynnika chłodniczego do atmosfery.
- Przed opuszczeniem miejsca instalacji przeprowadzić ogólną kontrolę instalacji w zakresie czystości, hałasu i wykrywania nieszczelności.
- Zanotować typ i ilość zastosowanego czynnika chłodniczego oraz warunki pracy na użytek przyszłych kontroli.

13 — Konserwacja

▲ Przed zdjęciem panelu wentylatora należy zawsze wyłączyć agregat przy użyciu głównego wyłącznika.

▲ Ciśnienie wewnętrzne oraz temperatura powierzchni w urządzeniu są niebezpieczne i mogą spowodować trwałe obrażenia.

Osoby wykonujące konserwację oraz instalację muszą być przeszkolone i wyposażone w odpowiednie narzędzia. Temperatura przewodów rurowych może przekroczyć 100°C i może spowodować poważne oparzenia.

▲ Przeprowadzać okresowe przeglądy serwisowe w celu zapewnienia niezawodności układu, stosownie do wymogów przepisów lokalnych. W celu uniknięcia problemów związanych z układem zaleca się wykonywanie następującej konserwacji okresowej:

- Sprawdzić, czy urządzenia zabezpieczające są sprawne i prawidłowo ustawione.
- Sprawdzić szczelność układu.
- Sprawdzić pobór prądu sprężarki.
- Upewnić się, że układ pracuje w sposób spójny z poprzednimi zapisami dotyczącymi konserwacji i warunkami otoczenia.
- Sprawdzić, czy wszystkie połączenia elektryczne są w dalszym ciągu odpowiednio przymocowane.

- Utrzymywać agregat w czystości oraz sprawdzić, czy na komponentach agregatu, rurkach i połączeniach elektrycznych nie ma rdzy ani nie dochodzi do ich utleniania.

Drożność skraplacza musi być sprawdzana co najmniej raz w roku i w razie konieczności należy go wyczyścić. Dostęp do wnętrza skraplacza można uzyskać po zdjęciu panelu wentylatora. Zanieczyszczenia zbierają się raczej na zewnętrznej stronie skraplacza mikrokanalowego dlatego są one łatwiejsze do wyczyszczenia w porównaniu do skraplacza lamelowego.

- Przed zdjęciem jakiegokolwiek panelu z agregatu skraplającego należy wyłączyć go przy użyciu głównego wyłącznika.
- Usunąć zabrudzenia powierzchniowe, liście, włókna itp. przy użyciu odkurzacza wyposażonego w szczotkę lub inną miękką nakładkę. Można również przedmuchać skraplacz przy użyciu sprężonego powietrza, od środka na zewnątrz, a następnie wyczyścić miękką szczotką. Nie używać szczotek drucianych. Nie uderzać ani nie skrobać skraplacza łańcuchem ssącym lub sprężonego powietrza.

W przypadku konieczności otwarcia układu chłodniczego należy go przepłukać suchym powietrzem lub azotem w celu usunięcia wilgoci oraz zainstalować nowy filtr odwadniacz. W przypadku konieczności usunięcia czynnika chłodniczego należy to zrobić w taki sposób, aby nie przedostał się on do otoczenia. Procedura usuwania panelu serwisowego dla wersji W09.



Krok 1: Odłączyć zasilanie. Przed przystąpieniem do serwisowania upewnić się, że wyłącznik główny jest w pozycji wyłączonej.

Instrukcje



Krok 2: Odkręcić wszystkie śruby panelu górnego, a następnie zdjąć go.



Krok 3: Odkręcić wszystkie śruby panelu bocznego.



Krok 4: Zdjąć panel boczny znajdujący się równoległe do wyłącznika głównego.

14 – Deklaracja włączenia

• **Pressure Equipment Directive 2014/68/EU EN 378-2:2016** – Systemy chłodnicze i pompy ciepła – wymagania bezpieczeństwa i środowiskowe – Część 2: Projektowanie, budowa, testowanie, znakowanie i dokumentacja.

Dyrektywa niskonapięciowa 2014/35/UE EN 60335-1:2012 + A11:2014 – Urządzenia gospodarstwa domowego i podobne urządzenia elektryczne – Bezpieczeństwo – Część 1: Ogólne wymagania dla wszystkich wyżej wymienionych agregatów skraplających. **DYREKTYWA dotycząca ekoprojektowania 2009/125/WE** ustanawiająca ogólne zasady ustalania wymogów dotyczących ekoprojektowania dla produktów związanych z energią. **ROZPORZĄDZENIE (UE) 2015/1095**, wdrażające Dyrektywę ekoprojektowania 2009/125/WE w odniesieniu do wymogów dotyczących dla profesjonalnych chłodzi-

kominów chłodniczych, komór hutniczych, agregatów skraplających i chłodniczych. • Pomiary agregatów skraplających należy wykonywać zgodnie z normą „EN 13771-2:2007” – Sprężarki i agregaty skraplające do celów chłodniczych – badanie wydajności oraz metody testowania – Część 2: Agregaty skraplające

15 — Gwarancja

Do reklamacji tego produktu należy zawsze dołączać numer modelu i numer seryjny.

Gwarancja na produkt może zostać unieważniona w następujących przypadkach:

- Brak tabliczki znamionowej.
- Modyfikacje zewnętrzne; w szczególności wiercenie, spawanie, wyłamane stopy i ślady po wstrząsach.
- Odesłana sprężarka jest otwarta lub nieuszczelniona (np. niezasłepione przyłącza).
- Rdza, woda lub barwnik do wykrywania nieuszczelnności wewnątrz sprężarki.
- Użycie czynnika chłodniczego lub środka smarującego niezatwierdzonego przez firmę Danfoss.
- Zauważone zostaną odstępstwa od zaleceń dotyczących instalacji, zastosowania i konserwacji.
- Używanie w zastosowaniach przenośnych.
- Używanie w strefie zagrożonej wybuchem.
- Niedołączenie numeru modelu lub numeru seryjnego do zgłoszenia reklamacji.

16 — Utylizacja



Firma Danfoss zaleca, aby przeprowadzenie recyklingu agregatów skraplających i oleju zostało zlecone specjalistycznej firmie i przeprowadzone na jej terenie.

17 -Ustawienie regulatora obrotów wentylatora dla czynnika chłodniczego R134a/R513A

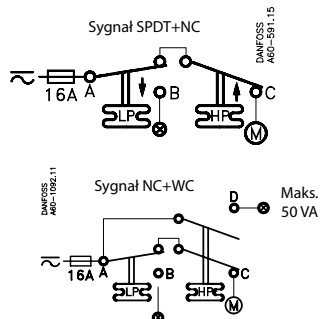
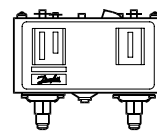
Typ FSC	Regulator prędkości obrotowej wentylatora Numer części zamienniej	Oznaczenie czynnika chłodniczego	Na czynnik chłodniczy	Ustawienia fabryczne	Konieczne są działania
 XGE-2C	061H3248	G	R134a/R513A	8 bar	360° = 1 obrót = około 0,8 bar (Obrót zgodny ze wskazówkami zegara = zwiększa ustawienie ciśnienia, Obrót przeciwny do ruchu wskazówek zegara = zmniejsza ustawienie ciśnienia)
		Q	R404A/R452A/R507	15 bar	
		H	R404A/R507	15 bar	
		X	R404A/R507/R134a/R513a/ R407A/ R407F/R448A/R449A/R452A	15 bar	
		Y	R404A/R507/R449A	15 bar	
		B	R404A/R507/R448A/R449A/R452A	15 bar	
X	Jeśli użyty czynnik chłodniczy to R134a	15 bar	Obróć śrubę o 9 obrotów w kierunku przeciwnym do ruchu wskazówek zegara, aby osiągnąć wartość 8 bar		

* Instalator może dokonać wymaganych ustawień w zależności od zastosowania.

18 - Ustawienie fabryczne presostatu podwójnego

Czynniki chłodnicze	Nastawy wysokiego ciśnienia (bar (g))		Nastawy niskiego ciśnienia (bar (g))	
	WŁ.	WYŁ.	WŁ.	WYŁ.
R404A/R507/R407A/R407F/R448A/R449A/R452A	23	27	2	1
R134a/R513A	13	17	2	1

KP17WB



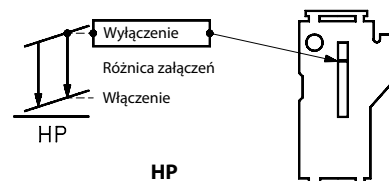
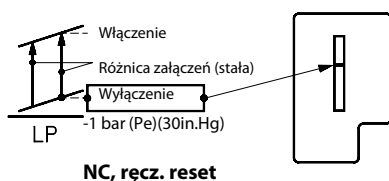
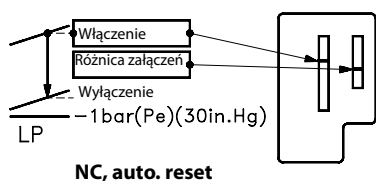
Podany regulator urządzeń chłodniczych 61B5

Styki	Napięcie		FL A	LR A	Prąd obciążenia	Obciążenie pilota
	AC	DC				
A-B	240		8	48	8A	3A
A-C	120		16	96	16A	12W
A-D	240					50VA

Stosować tylko drut miedziany
Moment obrotowy: 2,26 N-m.

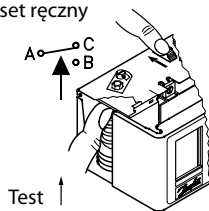
Przy stosowaniu zgodnie z przepisami UL

LR 112A	AC1 10A	400 V	DC 11
	AC3 10A		12 W
	AC11 10A		220 V

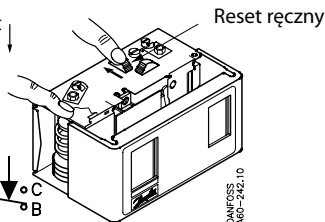


Test ręczny

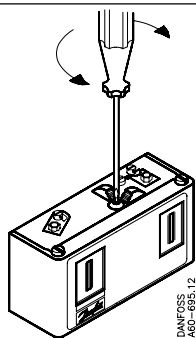
Reset ręczny



Test



Reset przełączalny
KP 17B 060-539366, 060-539466

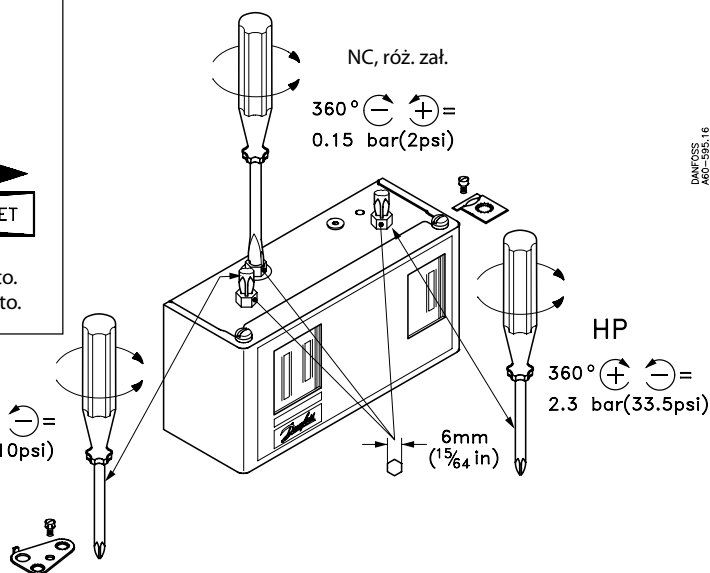


NC, auto.
WC, ręcz.



NC, auto.
WC, auto.

LP
360° ⊕ ⊖ =
0.7 bar (10psi)



Инструкция

Optima™ Slim Pack

OP-LSQM / LSHM / MSXM / MSHM

MSGM / MSYM / MSBM

Заводская табличка

A	OP-MSXM068MLW05E		
B	114X7068		
C	Application	MBP	IP 54
D	Refrigerant	(1) R404A R507 R448A/R449A R407A/R407F/R452A	
E	M.W.P. HP	(1) 28 bar	(2) 23 bar
	M.W.P. LP	(1) 7 bar	(2) 5 bar
F	Voltage	230 V ~ 1N ~ 50Hz	Max Ref Qty 5.4 kg
	LRA	60 A	MCC 19 A
	OIL INSIDE	POE 46	RLA 8.3 A
			PS _{HP} 28 bar
G	Serial No.	064119CG1517	
	EAN No.	XXXXXXXXXXXXXXX	
			11803415

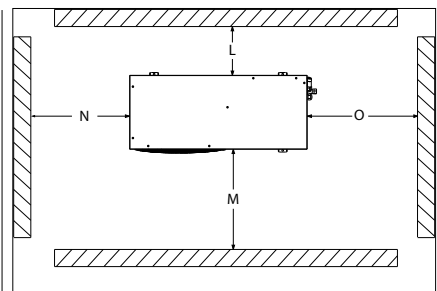


Рис. 1: Минимальные монтажные расстояния

L	M	N	O
[mm]	[mm]	[mm]	[mm]
250	650	550	550

⚠ Установка и обслуживание компрессорно-конденсаторного агрегата должны производиться только квалифицированным персоналом. При установке, пуске, обслуживании и эксплуатации руководствуйтесь настоящей инструкцией и общепринятыми методиками работы с холодильной техникой.

⚠ Конденсаторный агрегат должен использоваться только по назначению и в допустимых границах его области применения.

⚠ При любых обстоятельствах следует обязательно выполнять требования стандарта EN378 (или любых других местных норм безопасности).

● Поставляемый агрегат заправлен газообразным азотом под избыточным давлением 1 бар. Перед подключением агрегата к системе, необходимо стравить азот; подробную информацию см. в разделе «Установка».

● Перемещать компрессорно-конденсаторный агрегат следует с осторожностью и в вертикальном положении (допускается максимальное отклонение по вертикали: 15°)

* Точные данные см. на шильдике агрегата

- A:** Модель
- B:** Кодовый номер
- C:** Рабочее давление
- D:** Хладагент
- E:** Рабочее давление (макс. рабочее давление)
- F:** Напряжение питания, ток с заблокированным ротором, макс. непрерывный ток
- G:** Серийный номер и штрих-код

Условное обозначение устройств Optima™ Slim Pack

OP - MSXM 034 ML W05 G

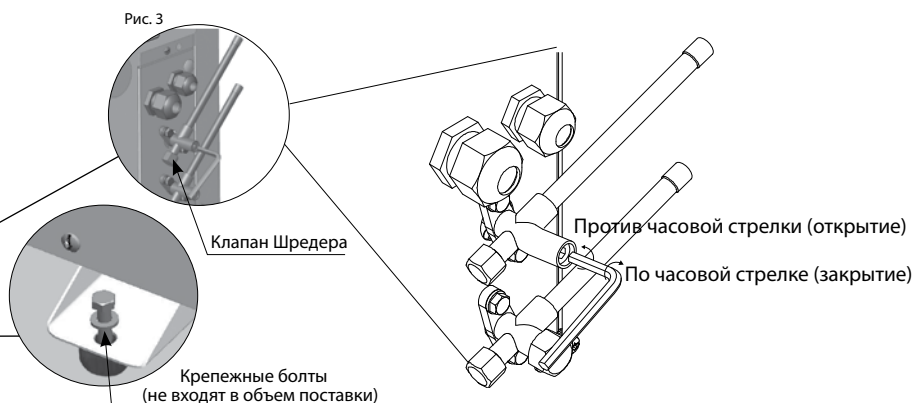
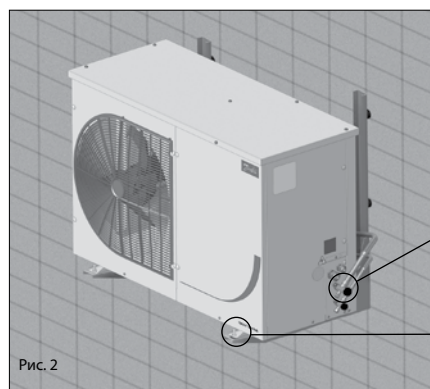
1 2 3 4 5 6 7 8

1	Область применения M = MBP L = LBP
2	Исполнение Семейство агрегатов: S = Slim Pack
3	Хладагент H = R404A/R507 ; G = R134a, R513A ; Q = R452A, R404A/R507 X = R404A/R507, R134a, R407A, R407F, R448A, R513A, R449A, R452A ; Y = R404A/R507, R448A, R449A; V = R404A/R507, R449A, R452A; P = R448A/R449A, R407A/F, R404A/R507, O = R452A, R404A/R507, R448A, R449A
4	Конденсатор M = микроканальный конденсатор
5	Рабочий объем Вытесняемый объем в см ³ , например 034 = 34 см ³
6	Тип компрессора MLZ, LLZ = спиральный компрессор, MTZ и NTZ = поршневой компрессор
7	Версия W05/W09: Optima™ Slim Pack
8	Код напряжения G = 1-фазный компрессор 230 В и 1-фазный вентилятор 230 В E = 3-фазный компрессор 400 В и 1-фазный вентилятор 230 В

Комплектация версии

Optima™ Slim Pack	W05	W09
Класс защиты (IP)	IP54	
Тип компрессора	Спиральный/Поршневой	
Блок управления (предварительно смонтированная электрическая панель)	да	
Микроканальный конденсатор	да	
Регулятор скорости вентилятора	-	да
Главный выключатель	-	да
Фильтр-осушитель (штуцер под отбортовку)	да	
Смотровое стекло	да	
Подогреватель картера	да	
Регулируемое реле давления ВД/НД	Автоматич./Ручной сброс	
Термостат на линии нагнетания газа (в комплекте)	да*	
Сигнализатор ВД/НД (в комплекте)	да*	

Инструкция



1 – Введение

Настоящая инструкция относится к компрессорно-конденсаторным агрегатам Optima™ Slim Pack OP-LSHM/MSHM/MSGM/LSQM/MSXM/MSYM/MSBM (R448A, R449A, R452A, R407A, R407F, R507, R404A, R134a, R513A) используемым в холодильных системах. В ней содержится необходимая информация, касающаяся безопасности и правильного использования данного изделия.

Компрессорно-конденсаторный агрегат включает в себя следующее:

- Спиральный/поршневой компрессор
- Микроканальный теплообменник
- Сдвоенное реле давления
- Сервисные вентили, всасывающий/жидкостной
- Погодостойкий корпус (IP 54)
- Фильтр-осушитель
- Нагреватель масла в картере для компрессора
- Ресивер с запорным вентилем
- Смотровое стекло
- Реле последовательности фаз (спиральные компрессоры)
- Готовая предварительно смонтированная электрическая панель (включая главный выключатель, контактор компрессора, реле перегрузки)

- Регулятор скорости вращения вентилятора и внешний выключатель питания (только W09)

2 – Погрузка-разгрузка и хранение

- Рекомендуется не раскрывать упаковку до установки агрегата в место окончательного монтажа.
- Погрузка-разгрузка агрегата должна выполняться с осторожностью. Упаковка допускает использование вилочного погрузчика или домкрата для поддонов. Следует использовать надлежащее и безопасное подъемное оборудование.
- Хранить и транспортировать агрегат следует строго в вертикальном положении.
- Агрегат следует хранить при температурах от -35 °C до 50 °C.
- Не подвергайте упаковку воздействию дождя или атмосферы, вызывающей коррозию.
- После снятия упаковки убедитесь в том, что агрегат полностью укомплектован и не поврежден.

3 – Меры предосторожности при монтаже

- ⚠ Запрещается выполнение пайки, если компрессорно-конденсаторный агрегат находится под давлением.
- ⚠ Запрещается размещение агрегата в огнеопасной атмосфере.
- ⚠ Размещать агрегат следует таким образом, чтобы не блокировать и не перекрывать проходы, дверные проемы, окна и прочее.

- Убедитесь в наличии достаточного пространства вокруг агрегата для обеспечения циркуляции воздуха вокруг

агрегата и возможности открытия дверей. Минимальные расстояния до стен приведены на рис. 1.

- Избегайте установки агрегата в местах, которые в течение дня длительное время подвергаются воздействию прямых солнечных лучей.
- Избегайте установки агрегата в агрессивной и пыльной среде.
- Обеспечьте основание с горизонтальной поверхностью (уклоном менее 3°) достаточно прочное и крепкое, чтобы выдержать массу всего агрегата и снять вибрации и помехи.
- Температура окружающей среды вокруг агрегата не должна превышать 50 °C в период стоянки.
- Убедитесь в том, что питание соответствует характеристикам агрегата (см. таблицу).
- При монтаже агрегатов для ГФУ хладагентов используйте оборудование, специально предназначенное для ГФУ хладагентов и никогда не используйте с ХФУ или ГХФУ хладагентами.
- Используйте чистые и сухие медные трубки холодильного класса и серебряный припой.
- Используйте чистые и сухие элементы системы.
- Всасывающий трубопровод, подключенный к компрессору, должен быть гибким во всех направлениях для гашения вибраций. Кроме того, трубопровод должен быть выполнен таким образом, чтобы обеспечить возврат масла в компрессор и исключить риск скопления жидкости в компрессоре.

4 – Установка

- Монтажные работы, в ходе которых устанавливается компрессорно-конденсаторный агрегат, должны соответствовать Директиве ЕС для оборудования, работающего под давлением, (PED) № 97/23/ЕС. Сам компрессорно-конденсаторный агрегат не является агрегатом в рамках данной директивы.
- Агрегат должен быть надежно установлен на прочном и твердом основании и зафиксирован с самого начала. См. рис. 2
- **Рекомендуется устанавливать агрегат на резиновые элементы или демпферы вибраций (не входят в объем поставки).**
- Медленно ставите заправку азота через клапан Шредера.
- Подсоедините агрегат к системе как можно скорее во избежание загрязнения масла влажностью из окружающей среды.
- При резке трубок избегайте попадания материала внутрь системы. Никогда не сверлите отверстия, если задиры невозможно будет устранить.
- Пайку следует выполнять с большой осторожностью, используя передовые методики, продувая трубопровод газообразным азотом.
- Подключите необходимые устройства

безопасности и контроля. Если для этого используется клапан Шредера, демонтируйте внутренний клапан.

- Рекомендуется изолировать всасывающую трубу с помощью изоляции толщиной 19 мм вплоть до входа компрессора.

5 – Обнаружение утечек

- ⚠ Запрещается опрессовывать контур кислородом или сухим воздухом. Это может привести к пожару или взрыву.
- Запрещается использовать краситель для обнаружения утечек.
- Проверку на обнаружение утечек следует осуществлять на всей системе целиком.
- Максимальное давление проверки составляет 31* бар.
- При обнаружении утечки устраните ее и повторите проверку.

* 25 бар для моделей OP-.....AJ... и OP-.....FH...

6 – Вакуумная сушка

- Запрещается использовать компрессор для вакуумирования системы.
- Подключите вакуумный насос к обеим сторонам НД и ВД.
- Опустите давление в системе до абсолютного давления 500 мкм рт. ст. (0,67 мбар).
- Запрещается использовать мегаомметр или подавать питание на компрессор, находящийся под вакуумом, так как это может привести к внутренним повреждениям.

7 – Электрические соединения

- Отключите и изолируйте основной источник подачи питания.
- Убедитесь в том, что источник питания нельзя включить во время монтажа.
- Все электрические элементы должны быть выбраны в соответствии с местными нормами и требованиями агрегата.
- Подробные сведения об электрических подключениях приведены в схеме соединений.
- Убедитесь в том, что источник питания соответствует техническим характеристикам агрегата и что источник питания стабилен (номинальное напряжение ±10 % и номинальная частота ±2,5 Гц).
- Выберите размеры кабелей питания в соответствии с характеристиками агрегата по напряжению и току.
- Установите защиту для источника питания и обеспечьте правильное заземление.
- Выполните подачу питания в соответствии с местными нормами и требованиями закона.
- Изделие оснащено датчиками высокого и низкого давления, которые прерывают электроснабжение компрессора и обеспечивают аварийные сигналы 230 В перем. тока (макс. 50 ВА) в случае активации. Параметры отключения высокого и низкого напряжения должны быть установлены монтажником с учетом модели компрессора, хладагента и области применения. Изделия с компрессорами Danfoss MLZ и LLZ также

Инструкция

оснащены реле последовательности фаз для защиты изделия от обрыва фазы, неправильной последовательности фаз и асимметрии фаз, а также пониженного или повышенного напряжения.

Для агрегатов с 3-фазным спиральным компрессором следует соблюдать последовательность фаз для правильного направления вращения компрессора.

- Определите последовательность фаз, используя фазометр, с целью установления последовательности фаз для фаз линий L1, L2 и L3.
- Подсоедините фазы линий L1, L2 и L3 к основным клеммам выключателей T1, T2 и T3 соответственно.

8 – Безопасность

Плавкий пробочный предохранитель не установлен, вместо него установлена заглушка.

В устройстве имеется жидкостный ресивер с резьбовым отверстием под пробку NPT 3/8». Монтажник/конечный пользователь может использовать различные варианты, указанные в EN378-2: 2016, § 6.2.2.3

- Блок/установка, в которую монтируется/встраивается конденсаторный агрегат, должны соответствовать Директиве PED.
- Будьте осторожны, компоненты могут быть очень горячими или холодными.
- Остерегайтесь движущихся компонентов. На время обслуживания необходимо отключить агрегат от сети электропитания.

9 – Заполнение системы

- Оденьте средства индивидуальной защиты, такие как очки и защитные перчатки.
- Запрещается запуск компрессора под вакуумом. Не включайте компрессор.
- Перед тем, как заправить хладагент, убедитесь в том, что уровень масла находится в диапазоне от 1/4 до 3/4 на смотровом стекле компрессора. Если необходимо дополнительное масло, пожалуйста, определите тип масла по бирке компрессора.
- Используйте только тот хладагент, для которого спроектирован данный агрегат.
- Поместите хладагент в жидком состоянии в конденсатор или ресивер жидкого хладагента. Обеспечьте медленное заполнение системы до 4-5 бар для R404A/R507A/R407A/R407F/R448A/R449A или R452 Аи приблизительно 2 бар для R134a/R513A.
- Запрещается подавать жидкий хладагент через линию всасывания.
- Запрещается смешивать добавки с маслом и/или хладагентом.
- Оставшаяся заправка выполняется до достижения установкой стабильных номинальных рабочих параметров.
- Запрещается оставлять заправочный баллон подсоединенным к контуру.

10 – Проверка перед вводом в эксплуатацию

⚠ Используйте защитные устройства, например такие как предохранительное реле давления и механический предохранительный клапан в соответствии с применимыми общими и местными нормами и стандартами безопасности. Убедитесь в том, что они находятся в рабочем состоянии и установлены надлежащим образом.

⚠ Убедитесь в том, что параметры реле высокого давления и перепускных клапанов не превышали максимального рабочего давления любого элемента системы.

- Убедитесь в том, что все электрические соединения закреплены надлежащим образом и соответствуют местным нормам.
- В случае необходимости может быть установлен подогреватель картера, который должен находиться под током в течение 12

часов перед первым запуском и запуском после длительного останова.

11 – Запуск

- запрещается запуск агрегата, не заправленного хладагентом.
- Все сервисные вентили должны быть в открытом положении. См. рис. 3.
- Проверьте соответствие агрегата и источника питания.
- Убедитесь в том, что нагреватель масла в картере работает.
- Убедитесь в том, что вентилятор вращается свободно.
- Убедитесь в том, что защитный лист снят с задней стороны конденсатора.
- Уравновесьте высокое и низкое давление.
- Подайте питание на агрегат. Он должен сразу включиться. Если компрессор не включается, проверьте соответствие проводки, напряжения на клеммах и последовательность фаз.
- Возможное обратное вращение 3-фазного спирального компрессора может быть обнаружено по следующим признакам: агрегат оснащен реле обратного вращения, но компрессор не запускается или не повышает давление, имеет нестандартно высокий уровень шума и потребляет нестандартно мало электроэнергии. В таком случае сразу выключите агрегат и правильно подсоедините фазы к соответствующим клеммам.
- Если направление вращения правильное, то манометр низкого давления должен показывать падение давления, а манометр высокого давления должен показывать повышение давления.

12 – Проверка работающего агрегата

- Проверьте направление вращения вентилятора. Воздух должен двигаться от конденсатора к вентилятору.
- Проверьте потребление тока и напряжение.
- Проверьте перегрев на всасывании для снижения риска попадания жидкости в компрессор.
- Если есть смотровое стекло, следите за уровнем масла при запуске и в ходе работы для подтверждения того, что уровень масла остается на допустимом уровне.
- Соблюдайте эксплуатационные ограничения.
- Проверьте все трубки на предмет нештатной вибрации. Смещения более 1,5 мм требуют корректирующих мер, например установка дополнительных кронштейнов трубок.
- При необходимости может быть добавлен дополнительный объем хладагента в жидкой фазе со стороны низкого давления на максимально возможном удалении от компрессора. Компрессор должен работать в ходе данной процедуры.
- Запрещается заполнять излишне много хладагента.
- Следуйте местным инструкциям по восстановлению хладагента из агрегата.
- Запрещается выпускать хладагент в атмосферу.
- Перед тем, как покинуть монтажную площадку, выполните общую проверку установки на предмет чистоты, шума и отсутствия утечек.
- Зафиксируйте тип и количество заправленного хладагента, а также условия эксплуатации в качестве исходных данных для будущих проверок.

13 – Техническое обслуживание

⚠ Всегда отключайте агрегат с помощью главного выключателя перед снятием панели вентилятора.

⚠ Внутреннее давление и температура поверхности опасны и могут нанести серьезную травму.

Лица, выполняющие обслуживание должны иметь соответствующие навыки и инструменты.

Температура трубок может превышать 100 °C и может послужить причиной серьезных ожогов.

⚠ Обеспечьте проведение периодических технических осмотров для обеспечения надежности системы и в соответствии с местными нормами.

Для предотвращения неисправностей системы рекомендуется проведение следующего периодического техобслуживания:

- Убедитесь в том, что защитные устройства находятся в рабочем состоянии и установлены надлежащим образом.
- Убедитесь в том, что система герметична.
- Проверьте потребление тока компрессором.
- Подтвердите, что работа системы согласуется с записям о предыдущем техобслуживании и условиями окружающей среды.
- Убедитесь в том, что электрические соединения надлежащим образом закреплены.
- Содержите агрегат в чистоте и убедитесь в отсутствии ржавчины и окисления элементов агрегата, трубок и электрических соединений. Необходимо проверить конденсатор на предмет засорения по крайней мере раз в год, и проводить его очистку при необходимости. Доступ к внутренней стороне конденсатора осуществляется через панель вентилятора. Микроканальные теплообменники обычно собирают грязь на поверхности, а не внутри, что позволяет легко их очищать в отличие от теплообменников труба - ламель.
- Отключите агрегат с помощью главного выключателя перед снятием любой панели с агрегата.
- Уберите грязь, листья, волокна и пр. с поверхности пылесосом, оборудованным щеткой или другой мягкой насадкой. Или же продуйте сжатым воздухом через теплообменник изнутри наружу и прочистите мягкой щеткой. Запрещается использовать металлическую щетку. Не повредите и не поцарапайте теплообменник вакуумным шлангом или трубкой подачи воздуха.
- Если холодильная установка была разгерметизирована, то система должна быть продута сухим воздухом или азотом для удаления влаги, и должен быть установлен новый фильтр-осушитель. Если необходимо выполнить эвакуацию хладагента, это нужно выполнить так, чтобы хладагент не попал в окружающую среду. Процедура извлечения электрического шита для версии W09.



Шаг 1: Отключите электропитание. Перед обслуживанием убедитесь, что главный выключатель выключен.



Шаг 2: Открутите все винты верхней панели, затем снимите верхнюю панель.

Инструкция



Шаг 3: Открутите все винты боковой панели.



Шаг 4: Снимите боковую панель в направлении, параллельном главному выключателю.

14 – Декларация соответствия

• **Директива по оборудованию, работающему под давлением, 2014/68/EU EN 378-2:2016** – Системы холодильные и тепловые насосы. Требования безопасности и охраны окружающей среды. Часть 2: Проектирование, конструкция, испытание, маркировка и документация

Директива по низковольтному оборудованию 2014/35/EU EN 60335-1:2012 + A11:2014 – Бытовые и аналогичные электроприборы. Безопасность. Часть 1: Общие требования для всех вышеупомянутых конденсаторных агрегатов

ДИРЕКТИВА по экодизайну 2009/125/ EC, устанавливающая общие условия разработки требований экологического проектирования для изделий, связанных с энергетикой.

РЕГЛАМЕНТ (EU) 2015/1095, реализующий Директиву по экодизайну 2009/125/EC в отношении требований к экологическому проектированию для профессиональных холодильных шкафов, морозильных шкафов с интенсивным движением воздуха, компрессорно-конденсаторных агрегатов и чиллеров для технологического охлаждения.

• Измерения конденсаторного агрегата производятся в соответствии со стандартом EN 13771-2:2007 – Компрессоры и конденсаторы для охлаждения. Проверка рабочих характеристик и методы испытаний. Часть 2. Агрегаты компрессорно-конденсаторные

15 – Гарантия

Всегда указывайте модель и заводской номер при подаче любой заявки касательно данного изделия.

Гарантия на изделие не действует в следующих случаях:

- Отсутствие заводской таблички.

- Внешние изменения; в частности, следы сверления, сварки, сломанные ножки и следы от ударов.
- Компрессор открыт и возвращен разгерметизированным.
- Обнаружение ржавчины, воды или утечек красителя для определения течи внутри компрессора.
- Использование хладагента или масла, не одобренных компанией Danfoss.
- Любые отклонения от рекомендаций и инструкций касательно монтажа, области применения или технического обслуживания.
- Использование в передвижных установках.
- Использование во взрывоопасной среде.
- Отсутствие номера модели и серийного номера в заявке на гарантийное обслуживание,

16 – Утилизация



Компания Danfoss рекомендует утилизацию компрессорно-конденсаторных агрегатов и масла соответствующей компанией по месту ее нахождения. Je byly předány k recyklaci příslušným firmám.

17 - Настройка регулятора скорости вращения вентилятора для хладагента R134a/R513A

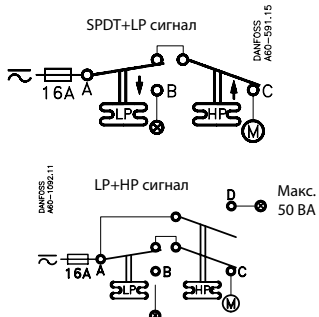
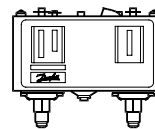
Тип регулятора скорости вращения вентилятора	Регулятор скорости вращения вентилятора Номер запасной части	Обозначение хладагента	Для хладагента	Заводская настройка	Требуется действие
 XGE-2C	061H3248	G	R134a/R513A	8 бар	360°=1 поворот = Примерно 0,8 бар (Поворот по часовой стрелке=Увеличение уставки давления, Вращение против часовой стрелки=Уменьшение уставки давления)
		Q	R404A/R452A/R507	15 бар	
		H	R404A/R507	15 бар	
		X	R404A/R507/R134a/R513A/ R407A/R407F/R448A/R449A/R452A	15 бар	
		Y	R404A/R507/R449A	15 бар	
		B	R404A/R507/R448A/R449A/R452A	15 бар	
		X	Если используемый хладагент R134a	15 бар	Поверните винт на 9 оборотов против часовой стрелки, чтобы достичь 8 бар

*Монтажник может задать необходимые настройки в зависимости от области применения.

18 - Заводские настройки сдвоенного реле давления

Хладагенты	Настройки высокого давления (бар, изб.)		Настройки низкого давления (бар, изб.)	
	ВКЛ	ВЫКЛ	ВКЛ	ВЫКЛ
R404A/R507/R407A/R407F/R448A/R449A/R452A	23	27	2	1
R134a/R513A	13	17	2	1

KP17WB



Внесенный в список контроллер испарителя

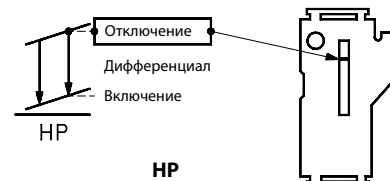
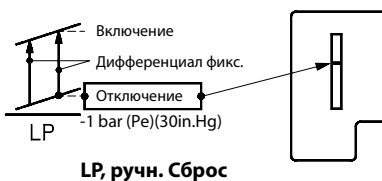
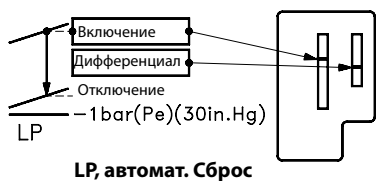
61B5

Контакты	Напряжение		FL A	LR A	Сопротивл. Нагрузка	Пилотный режим
	AC	DC				
A-B	240		8	48	8A	3A
A-C	120		16	96	16A	
A-D		240				12W
						50VA

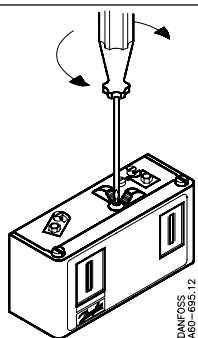
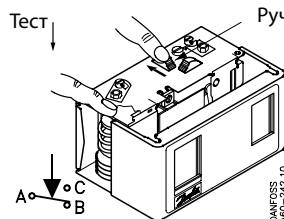
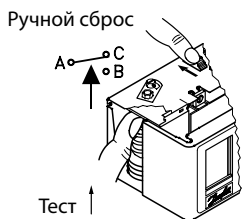
Используйте только медный провод
Момент затяжки 20 фунт-сила-дюйм.

При использовании в соотв. со стандартами UL

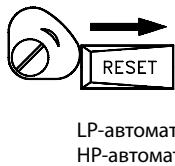
LR 112A	AC1 10A AC3 10A AC11 10A	400 V	DC 11 12 W 220 V
---------	--------------------------------	-------	------------------------



Ручной тест

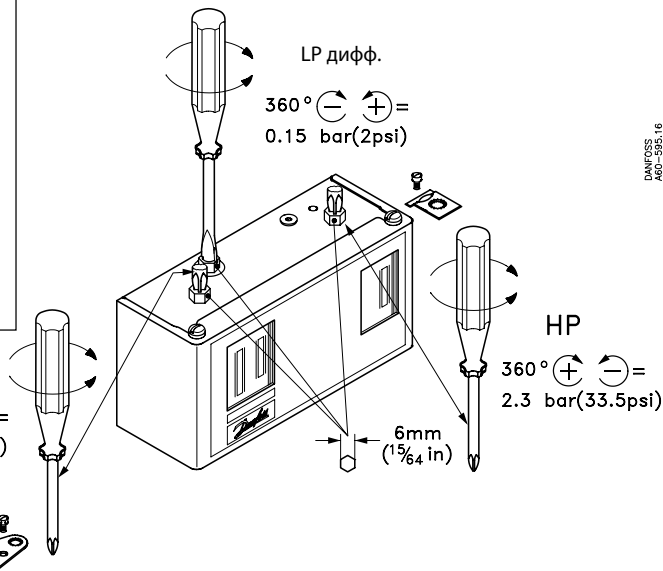


Сброс по выбору:
KP 17B 060-539366, 060-539466



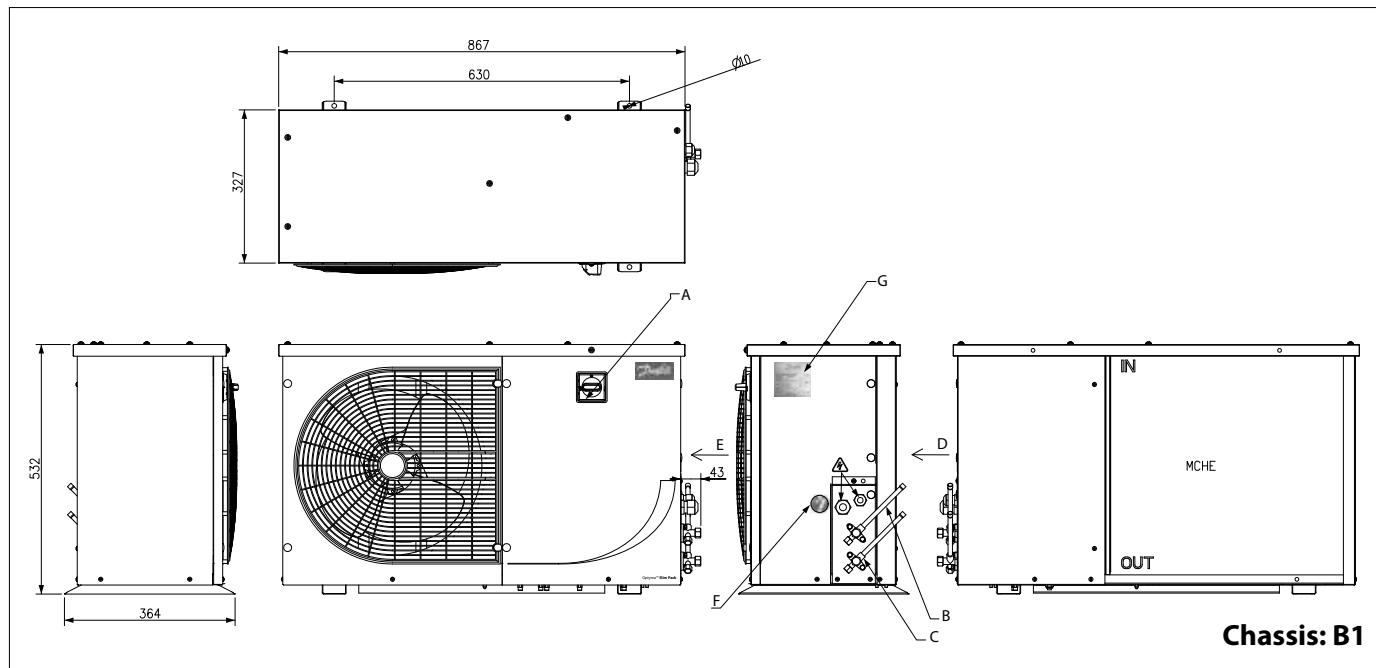
LP
360° ⊕ ⊖ =
0.7 bar (10psi)

LP дифф.
360° ⊖ ⊕ =
0.15 bar (2psi)

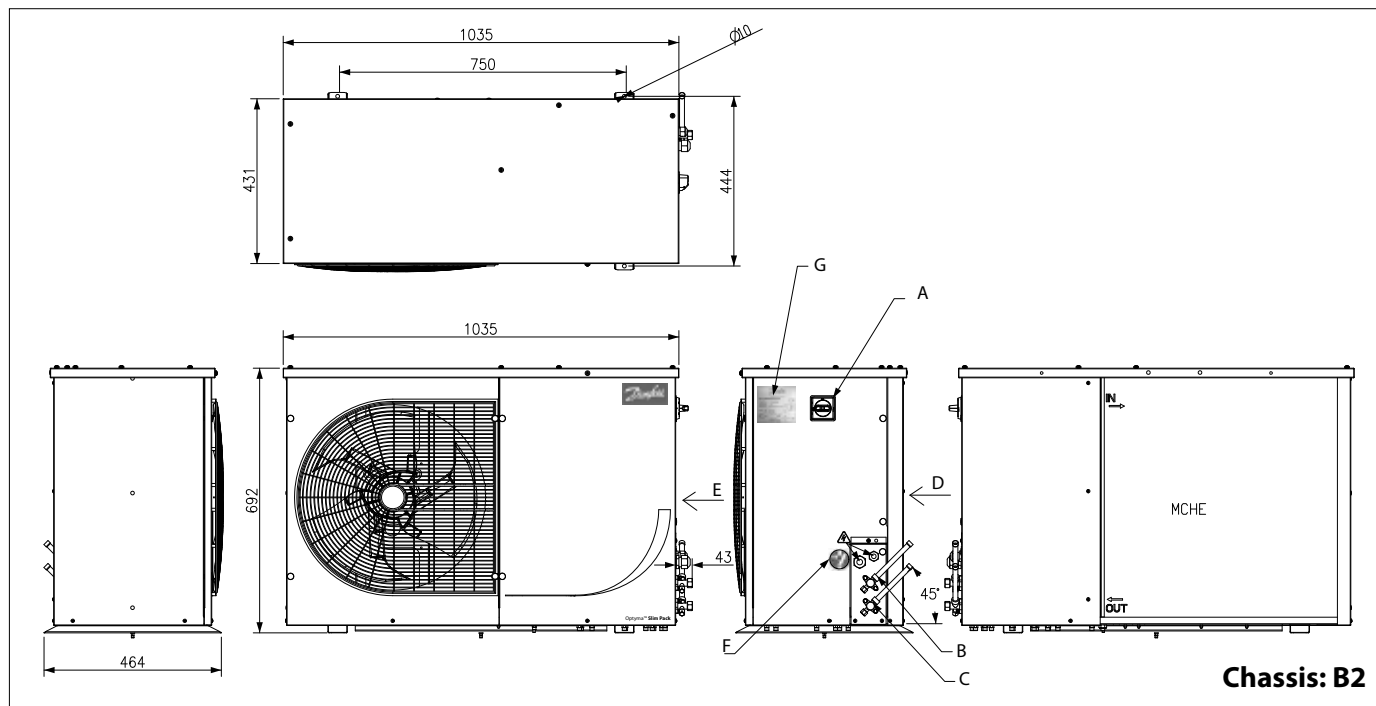


Instructions

OP-MSGM012 - 015 - 018 - 021, OP-LSQM014 - 018, OP-MSYM009 - 012 - 014

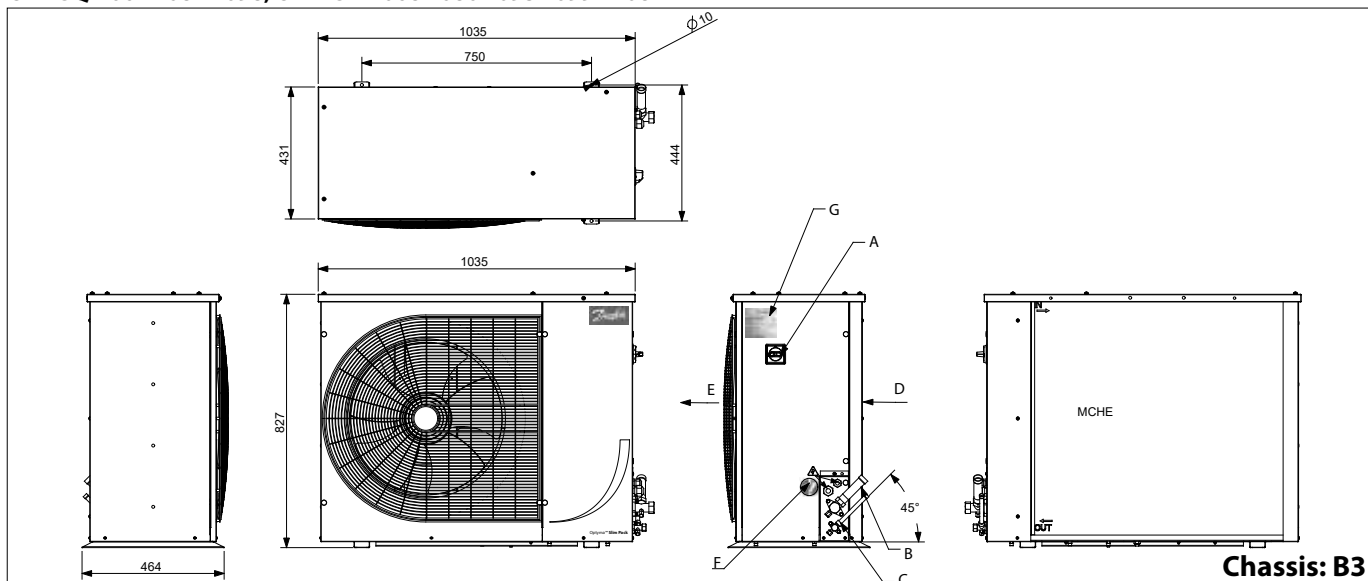


OP-LSQM026 - 034 - 048 - 068 - 074, OP-MSBM018 - 024 - 026 - 034, OP-MSXM034 - 044 - 046 - 057, OP-MSGM026 - 033



Instructions

OP-LSQM067 - 084 - 098, OP-MSXM068 - 080 - 093 - 099 - 108



English Legend

- A Isolator Switch (W09 only)
- B Suction Valve
- C Liquid Valve
- D Air in
- E Air out
- F Door safety Label
- G Name Plate
- ⚠ Electrical Cables

Note: all dimension are in mm

Dansk Legend

- A Afbryder (kun W09)
- B Sugeventil
- C Væskeledningsventil
- D Luft ind
- E Luft ud
- F Sikkerhedsmærkat til låge
- G Typeskilt
- ⚠ Elektriske ledninger

Bemærk: Alle mål angives i mm.

Deutsch Legende

- A Trennschalter (nur W09)
- B Saugabsperrventil
- C Flüssigkeitsabsperrventil
- D Lufteinlass
- E Luftauslass
- F Türsicherheitsetikett
- G Typenschild
- ⚠ Elektrokabel

Hinweis: alle Maße in mm

Français Légende

- A Interrupteur de l'isolateur (W09 uniquement)
- B Vanne d'aspiration
- C Vanne de liquide
- D Entrée de l'air
- E Sortie de l'air
- F Étiquette de sécurité de la porte
- G Plaque signalétique
- ⚠ Câbles électriques

Remarque : toutes les dimensions sont exprimées en mm

Español leyenda

- A Interruptor seccionador (solo W09)
- B Válvula de aspiración
- C Válvula de líquido
- D Entrada de aire
- E Salida de aire
- F Etiqueta de seguridad de la puerta
- G Placa de identificación
- ⚠ Cables eléctricos

Nota: todas las dimensiones están en mm

Italiano leggenda

- A Sezionatore (solo per W09)
- B Valvola di aspirazione
- C Valvola liquido
- D Ingresso aria
- E Uscita aria
- F Etichetta di sicurezza porta
- G Targhetta
- ⚠ Cavi elettrici

Nota: tutte le dimensioni sono espresse in mm

Português Lenda

- A Interruptor do isolador (apenas W09)
- B Válvula de sucção
- C Válvula de líquidos
- D Entrada de ar
- E Saída de ar
- F Etiqueta de segurança da porta
- G Placa de identificação
- ⚠ Cabos elétricos

Nota: todas as dimensões são apresentadas em mm

Nederlandse legenda

- A Isolatieschakelaar (alleen W09)
- B Afsluiter zuigleiding
- C Afsluiter vloeistofleiding
- D Luchtinlaat
- E Luchtuittlaat
- F Veiligheidslabel deur
- G Typeplaatje
- ⚠ Elektrische kabels

Opmerking: alle afmetingen zijn in mm

Suomi Legenda

- A Eristinkytkin (vain W09)
- B Imuventtiili
- C Nesteventtiili
- D Ilma sisään
- E Ilma ulos
- F Oven turvatarra
- G Nimikilpi
- ⚠ Sähkökaapelit

Huomaa: kaikki mitat ovat millimetrejä

Ελληνικά Θρύλος

- A διακόπτης απόξεσης (μόνο W09)
- B βαλβίδα αναρρόφησης
- C βαλβίδα υγρών
- D Είσοδος αέρα
- E Έξοδος αέρα
- F Ετικέτα ασφάλειας θύρας
- G Ενδεικτική πινακίδα
- ⚠ Ηλεκτρικά καλώδια

Σημείωση: όλες οι διαστάσεις είναι σε mm

Norsk Legende

- A Skillebryter (kun W09)
- B Sugeventil
- C Væskeventil
- D Luft inn
- E Luft ut
- F Sikkerhetsetikett, dør
- G Navneskilt
- ⚠ Strømkabler

OBS: alle mål er i mm

Български (Balgarski) Легенда

- A Изолаторен превключвател (само W09)
- В Смукателен клапан
- С Клапан за течност
- Д въздушен вход
- Е Въздушен изход
- Ф Етикет за безопасност за врата
- Г Табела с име
- ⚠ Електрически кабели

Забележка: всички размери са в mm

Română Legendă

- A Întrerupător de izolare (numai W09)
- B Valvă de aspirație
- C Valvă de lichid
- D Intrare aer
- E Ieșire aer
- F Etichetă de siguranță pentru ușă
- G Plăcuță de identificare
- ⚠ Cabluri electrice

Notă: toate dimensiunile sunt exprimate în mm

Čeština Legenda

- A Odpínač (pouze model W09)
- B Sací ventil
- C Kapalinový ventil
- D Přívod vzduchu
- E Výstup vzduchu
- F Bezpečnostní štítek na dveře
- G Typový štítek
- ⚠ Elektrické kabely

Poznámka: Všechny rozměry jsou uvedeny v mm.

Polski Legenda

- A Wyłącznik izolacyjny (tylko W09)
- B Zawór ssawny
- C Zawór na linii cieczowej
- D Dopyływ powietrza
- E Wypływ powietrza
- F Etykieta bezpieczeństwa drzwi
- G Tabliczka znamionowa
- ⚠ Kable elektryczne

Uwaga: wszystkie wymiary podano w mm

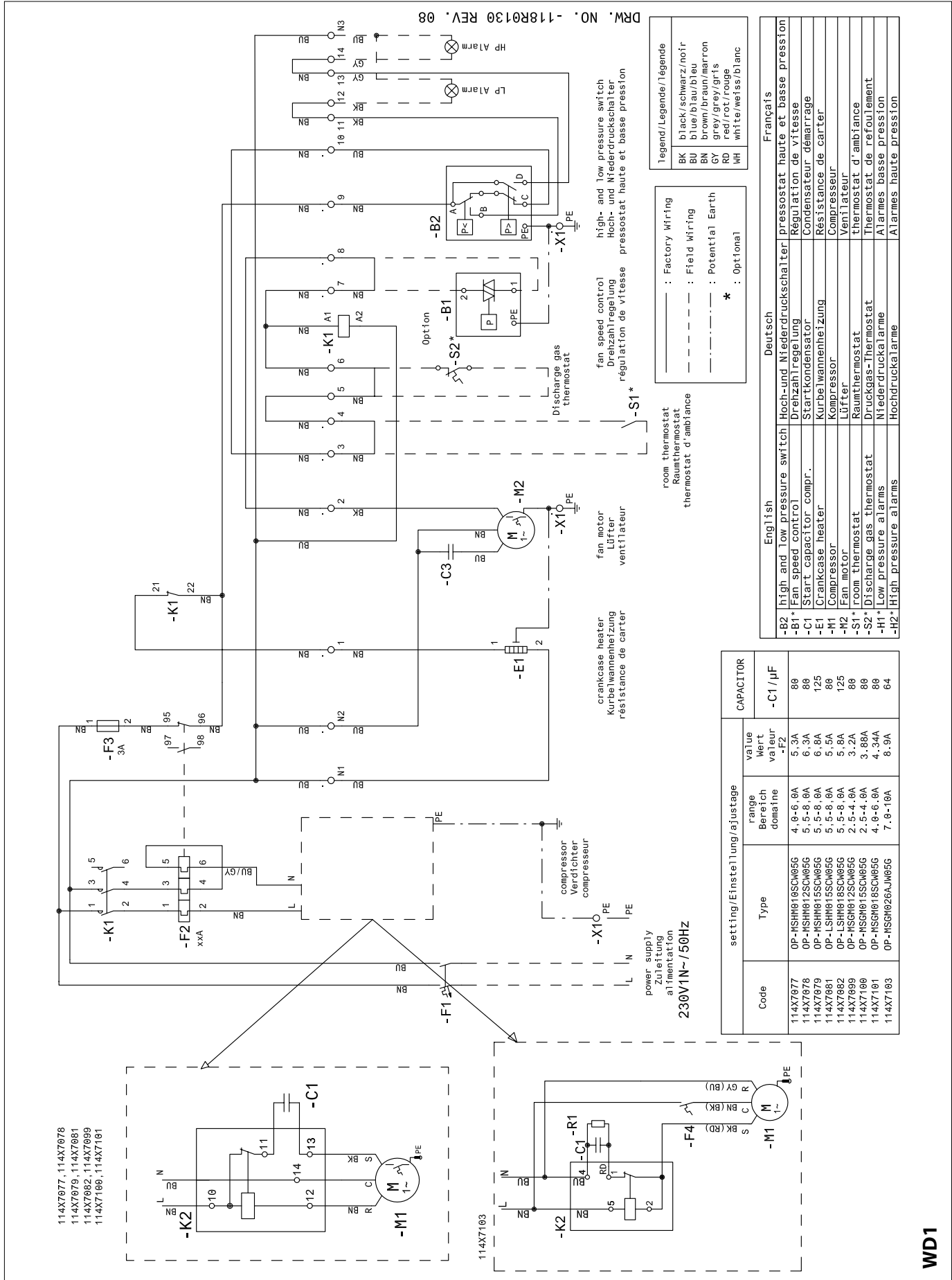
Русский Легенда

- A Рубильник (только W09)
- В Клапан на линии всасывания
- С Клапан на жидкостной линии
- Д Вход воздуха
- Е Выход воздуха
- Ф Наклейка на двери с предупреждением о технике безопасности
- Г Заводская табличка
- ⚠ Электрические кабели

Примечание. Все размеры приведены в мм

Instructions

Code G (W05): OP-MSHM010 - 012 - 015, OP-LSHM015 - 018, OP-MSGM012 - 015 - 018 - 026



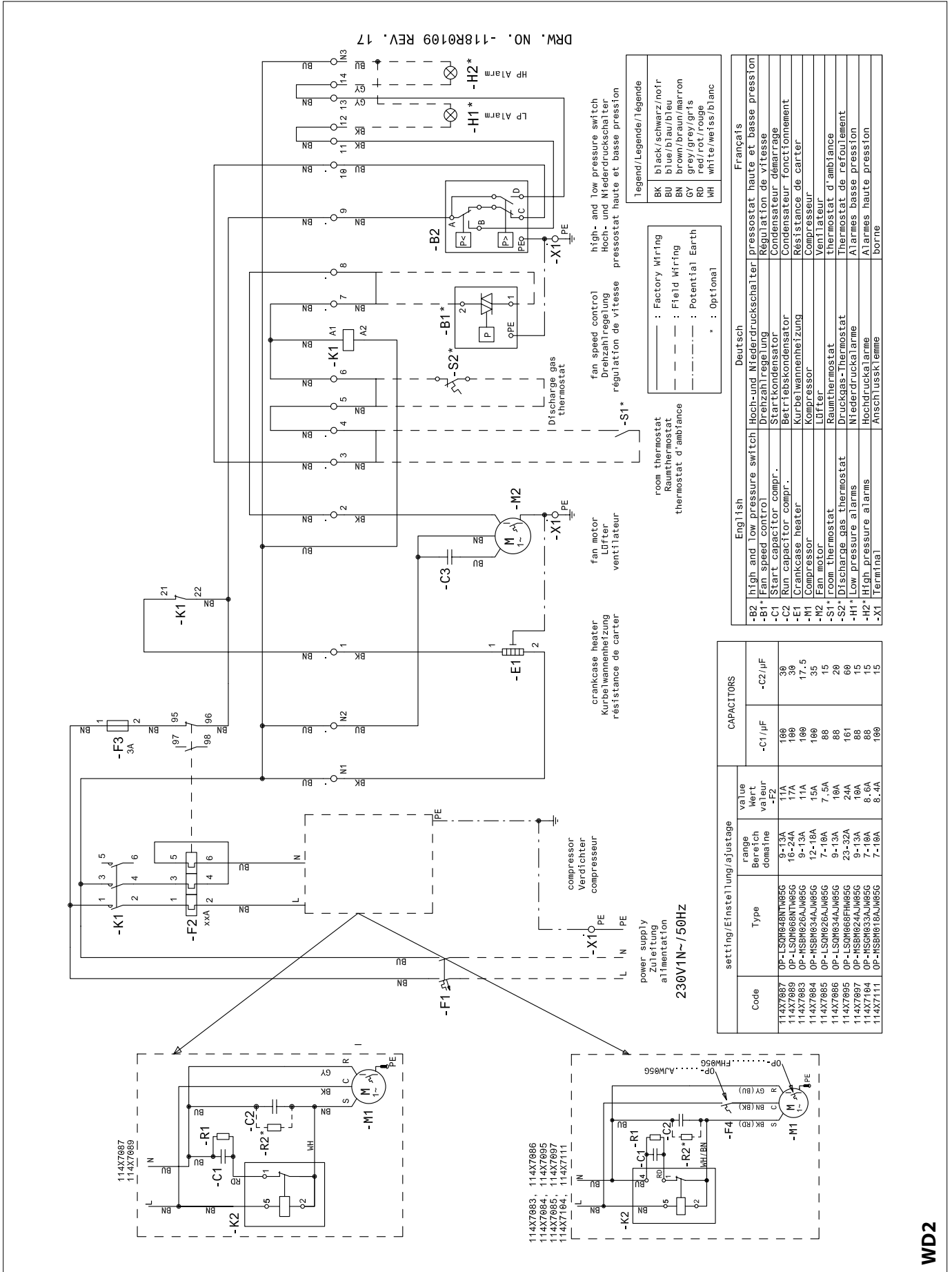
Code	English	Deutsch	Français
-B2	high and low pressure switch	Hoch- und Niederdruckschalter	pressostat haute et basse pression
-B1*	Fan speed control	Drehzahlregelung	Régulation de vitesse
-C1	Start capacitor compr.	Startkondensator	Condensateur démarrage
-E1	Crankcase heater	Kurbelwammenheizung	Résistance de carter
-M1	Compressor	Compresseur	Compresseur
-M2	Fan motor	Lüfter	Ventilateur
-S1*	room thermostat	Raumthermostat	thermostat d'ambiance
-S2*	Discharge gas thermostat	Druckgas-Thermostat	Thermostat de refluxement
-H1*	Low pressure alarms	Niederdruckalarms	Alarmes basse pression
-H2*	High pressure alarms	Hochdruckalarms	Alarmes haute pression

Code	Type	setting/Einstellung/ajustage		CAPACITOR
		range Bereich domaine	value Wert valeur	
114X7077	OP-MSHM016SCW055	4.0-6.0A	-F2 5.3A	-C1/µF 80
114X7078	OP-MSHM012SCW055	5.5-8.0A	6.3A	80
114X7079	OP-MSHM015SCW055	5.5-8.0A	6.8A	125
114X7081	OP-LSHM015SCW055	5.5-8.0A	5.5A	80
114X7082	OP-LSHM018SCW055	5.5-8.0A	5.8A	125
114X7089	OP-MSGM012SCW055	2.5-4.0A	3.2A	80
114X7100	OP-MSGM015SCW055	2.5-4.0A	3.88A	80
114X7101	OP-MSGM018SCW055	4.0-6.0A	4.34A	80
114X7103	OP-MSG026AJW055	7.0-10A	8.9A	64

WD1

Instructions

Code G (W05): OP-LSQM026 - 034 - 048 - 068 - 074, OP-MSGM033, OP-MSBM018 - 024 - 026 - 034



Code	Type	range Bereich doma ine	value Wert valeur	
			-F2	-C2/µF
114X7087	OP-LSQM048TM056	9-13A	11A	30
114X7089	OP-LSQM068TM056	16-24A	17A	30
114X7083	OP-MSBM026AJM056	9-13A	11A	17.5
114X7084	OP-MSBM034AJM056	12-18A	15A	35
114X7085	OP-LSQM026AJM056	7-10A	7.5A	15
114X7086	OP-LSQM034AJM056	9-13A	10A	20
114X7095	OP-LSQM068FM056	23-32A	24A	60
114X7097	OP-MSBM024AJM056	9-13A	10A	15
114X7104	OP-MSBM033AJM056	7-10A	8.6A	15
114X7111	OP-MSBM018AJM056	7-10A	8.4A	15

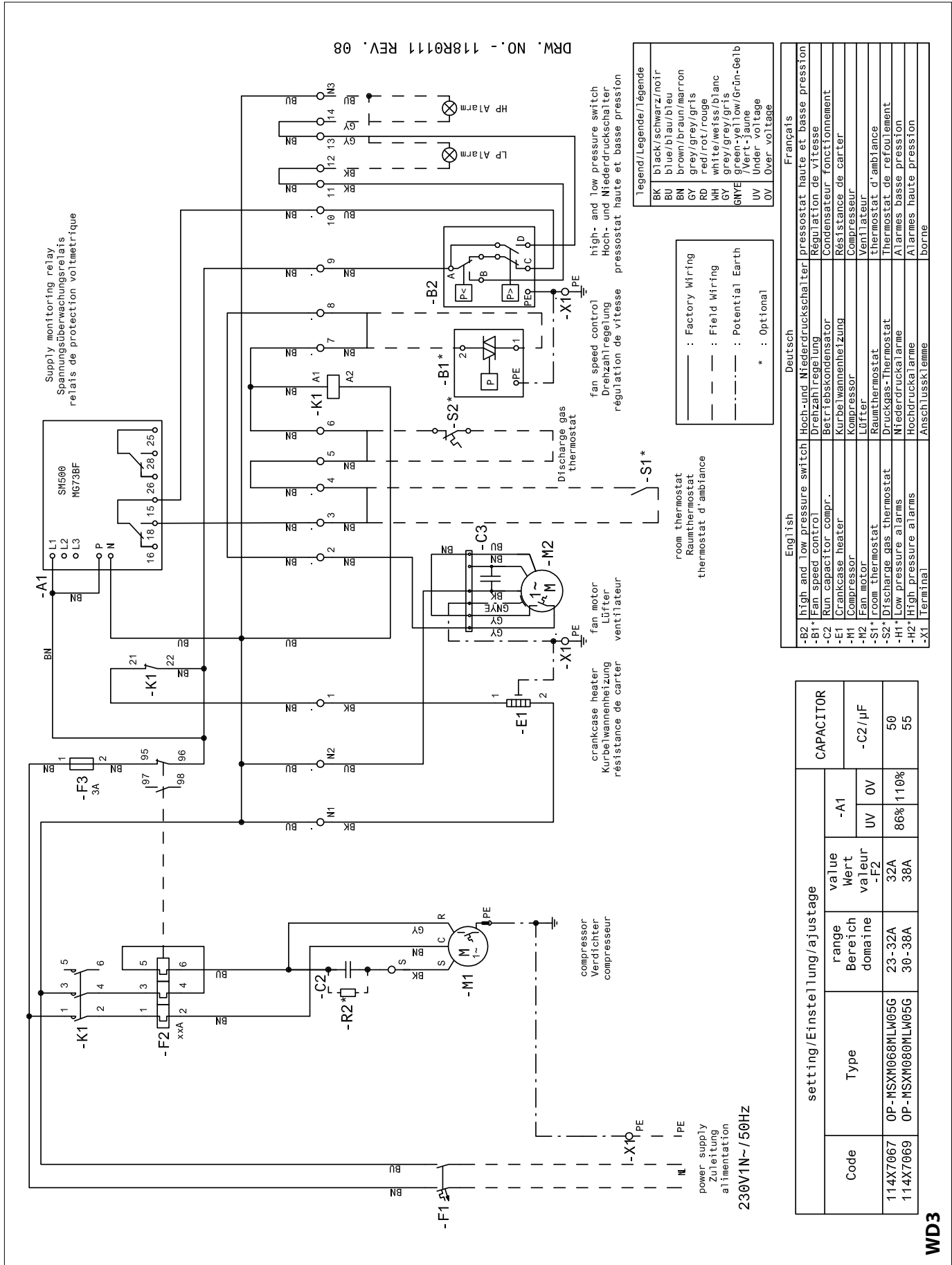
114X7087
114X7089

114X7083, 114X7086
114X7084, 114X7095
114X7085, 114X7097
114X7104, 114X7111

WD2

Instructions

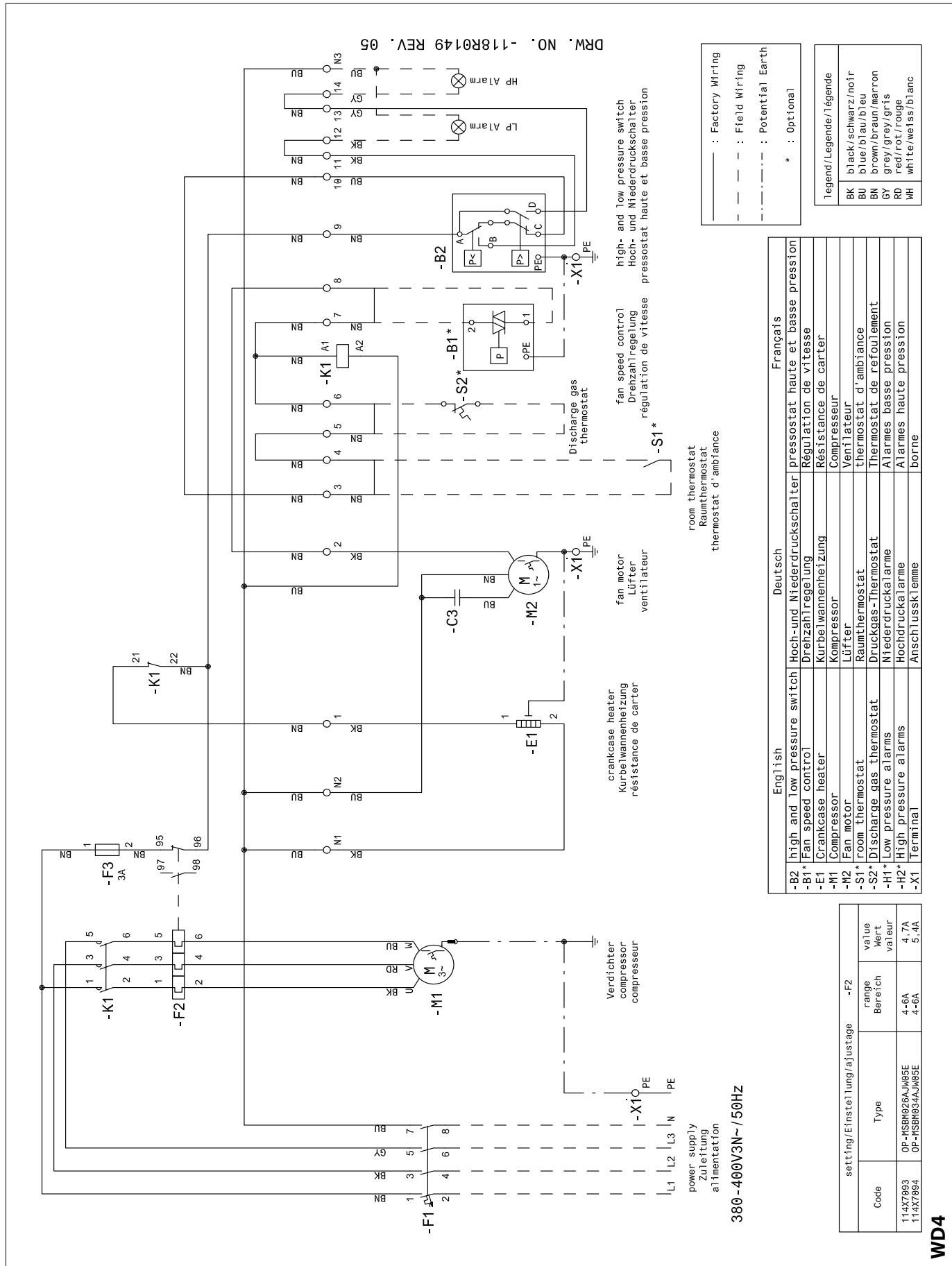
Code G (W05): OP-MSXM068 - 080



WD3

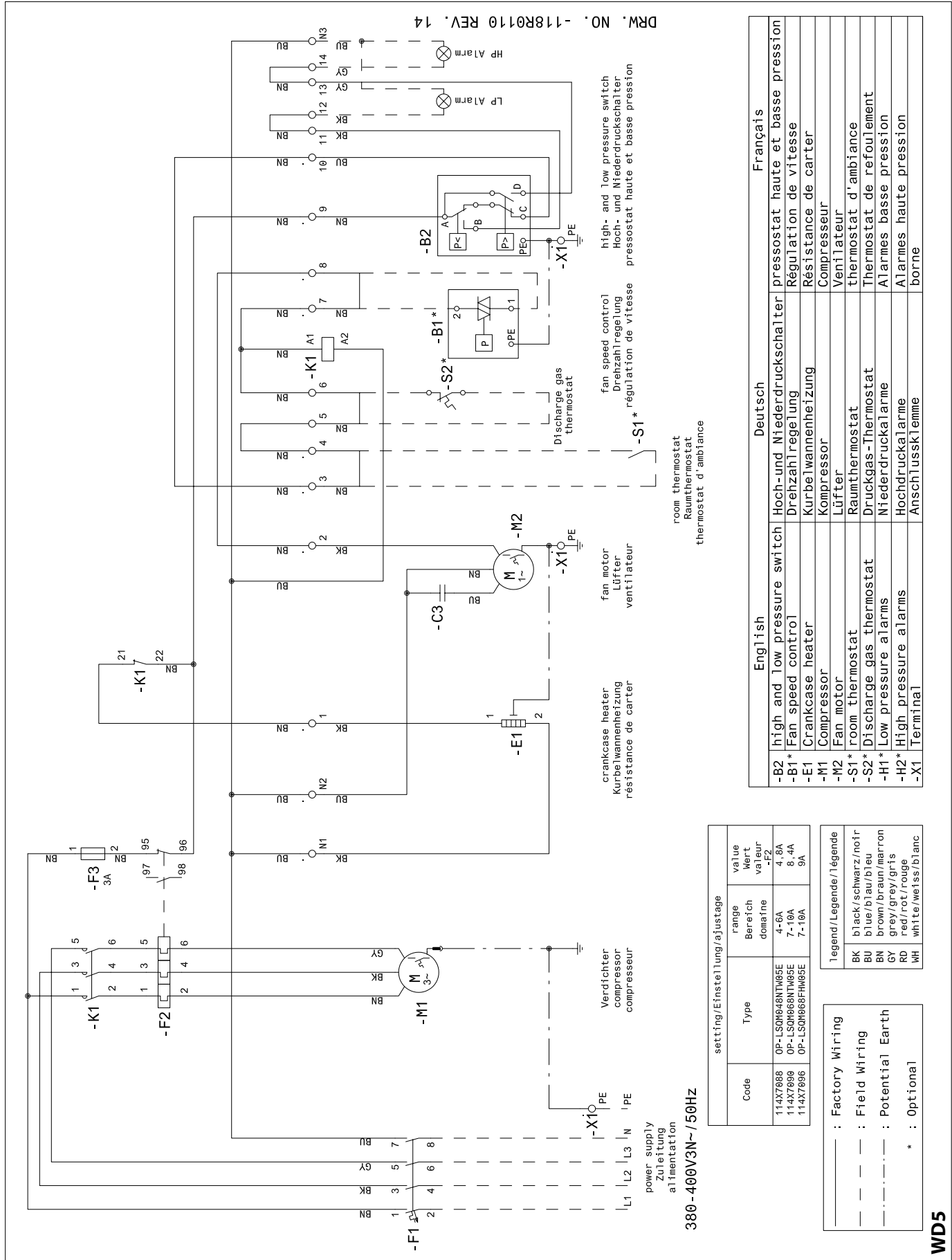
Instructions

Code E (W05): OP-MSBM026-034



Instructions

Code E (W05): OP-LSQM048 - 068 - 074



380-400V3N~/50HZ

setting/Einstellung/ajustage			
Code	Type	range Bereich domaine	value Wert valeur
114X7888	OP-LSQM048NTW05E	4-6A	4, 6A
114X7899	OP-LSQM068NTW05E	7-10A	8, 9A
114X7896	OP-LSQM068FH05E	7-10A	9A

legend/Legende/Légende	
BK	black/schwarz/noir
BU	blue/blau/bleu
BN	brown/braun/marron
GY	grey/grey/gris
RD	red/rot/rouge
WH	white/weiß/blanc

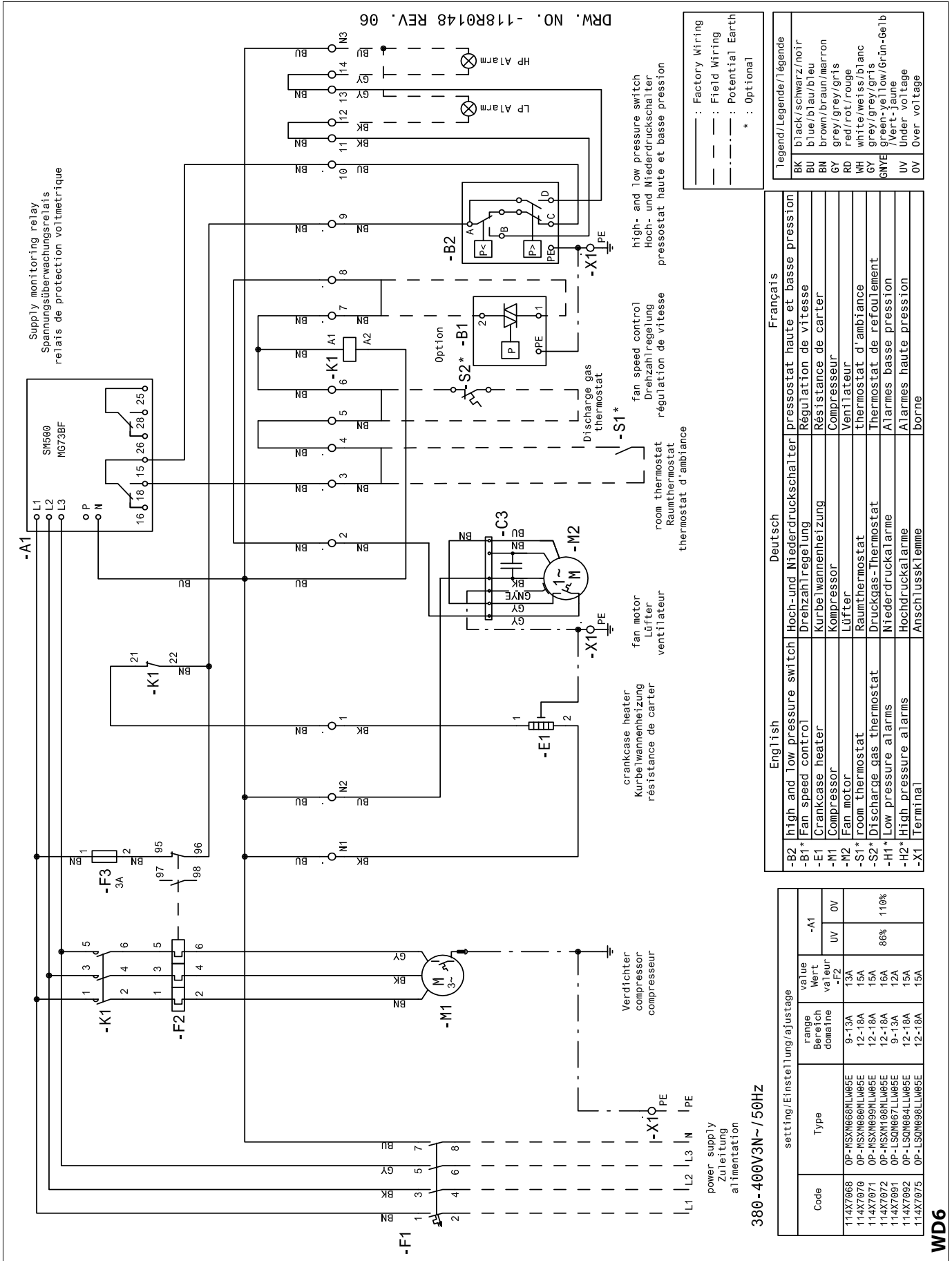
—	: Factory Wiring
- - -	: Field Wiring
— · — · —	: Potential Earth
*	: Optional

	English	Deutsch	Français
-B2	high and low pressure switch	Hoch- und Niederdruckschalter	pressostat haute et basse pression
-B1*	Fan speed control	Drehzahlregelung	Régulation de vitesse
-E1	Crankcase heater	Kurbelwannenheizung	Resistance de carter
-M1	Compressor	Compresseur	Compresseur
-M2	Fan motor	Lüfter	Ventilateur
-S1*	room thermostat	Raumthermostat	thermostat d'ambiance
-S2*	Discharge gas thermostat	Druckgas-Thermostat	Thermostat de refluxement
-H1*	Low pressure alarms	Niederdruckalarms	Alarmes basse pression
-H2*	High pressure alarms	Hochdruckalarms	Alarmes haute pression
-X1	Terminal	Anschlussklemme	borne

WD5

Instructions

Code E (W05) : OP-MSXM068 - 080 - 099 - 108, OP-LSQM067 - 084 - 096



—	: Factory Wiring
- - -	: Field Wiring
· · · · ·	: Potential Earth
*	: Optional

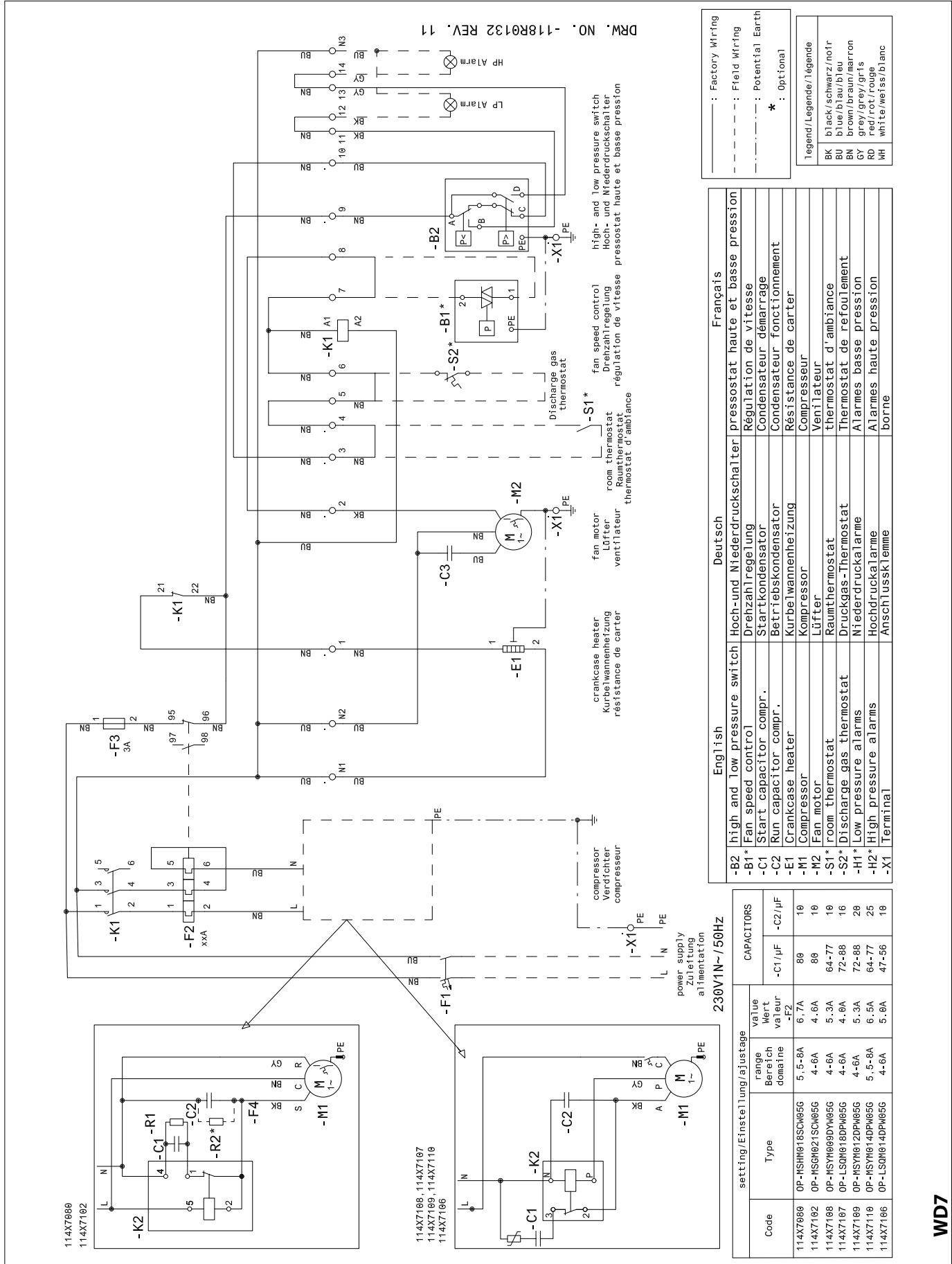
Legend/Legende	
BK	black/schwarz/noir
BU	blue/blau/bleu
BN	brown/braun/marron
GY	grey/grey/gris
RD	red/rot/rouge
WH	white/weiß/blanc
GY	grey/grey/gris
GNVE	green-yellow/Grün-Gelb
UV	Under voltage
OV	Over voltage

	English	Deutsch	Français
-B2	high and low pressure switch	Hoch- und Niederdruckschalter	pressostat haute et basse pression
-B1*	Fan speed control	Drehzahlregelung	Régulation de vitesse
-E1	Crankcase heater	Kurbelwannenheizung	Résistance de carter
-M1	Compressor	Kompressor	Compresseur
-M2	Fan motor	Lüfter	Ventilateur
-S1*	room thermostat	Raumthermostat	thermostat d'ambiance
-S2*	Discharge gas thermostat	Druckgas-Thermostat	Thermostat de refroidement
-H1	Low pressure alarms	Niederdruckalarms	Alarmes basse pression
-H2*	High pressure alarms	Hochdruckalarms	Alarmes haute pression
-X1	Terminal	Anschlussklemme	borne

Code	Type	setting/Einstellung/ajustage	
		range Bereich domaine	value Wert valeur
114X7968	OP-MSXM068MLW05E	9-13A	13A
114X7970	OP-MSXM068MLW05E	12-18A	15A
114X7971	OP-MSXM069MLW05E	12-18A	16A
114X7972	OP-MSXM108MLW05E	12-18A	16A
114X7991	OP-LSQM067LLW05E	9-13A	12A
114X7992	OP-LSQM064LLW05E	12-18A	15A
114X7975	OP-LSQM068LLW05E	12-18A	15A

Instructions

Code G (W05): OP-MSYM009 - 012 - 014, OP-LSQM014 - 018, OP-MSHM018, OP-MSGM21



---	Factory Wiring
- - -	Field Wiring
· · ·	Potential Earth
*	Optional

Legend/Légende/Légende	
BK	black / schwarz / noir
BU	blue / blau / bleu
BN	brown / braun / marron
GY	grey / grey / gris
RD	red / rot / rouge
WH	white / weiss / blanc

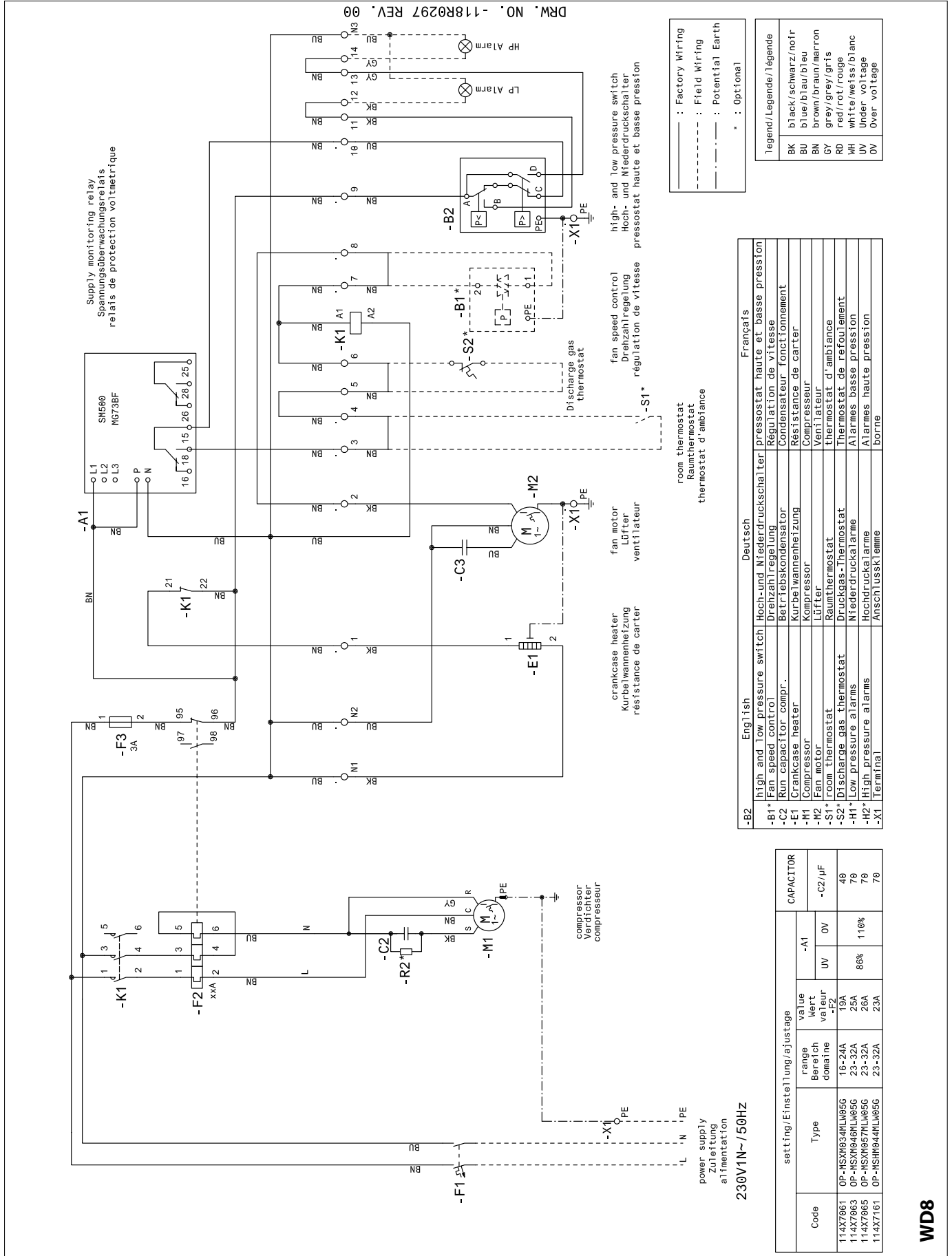
	English	Deutsch	Français
-B2	high and low pressure switch	Hoch-und Niederdruckschalter	pressostat haute et basse pression
-B1 *	Fan speed control	Drehzahlregelung	Régulation de vitesse
-C1	Start capacitor compr.	Startkondensator	Condensateur démarrage
-C2	Run capacitor compr.	Kurbelkondensator	Condensateur fonctionnement
-E1	Crankcase heater	Kurbelwärmehheizung	Résistance de carter
-M1	Compressor	Kompressor	Compresseur
-M2	Fan motor	Lüfter	Ventilateur
-S1 *	Room thermostat	Raumthermostat	thermostat d'ambiance
-S2 *	Discharge gas thermostat	Druckgas-Thermostat	Thermostat de refluxement
-H1 *	Low pressure alarms	Niederdruckalarne	Alarmes basse pression
-H2 *	High pressure alarms	Hochdruckalarne	Alarmes haute pression
-X1	Terminal	Anschlussklemme	borne

Code	Type	setting/Einstellung/ajustage		CAPACITORS	
		range Bereich domaine	value Wert valeur	-C1/µF	-C2/µF
114X7088	OP-MSHM018SCM05G	5.5-8A	6.7A	80	10
114X7102	OP-HS0021SCM05G	4-6A	4.6A	80	10
114X7108	OP-MSYM009DYM05G	4-6A	5.3A	64-77	10
114X7107	OP-LSQM018DPM05G	4-6A	4.0A	72-88	16
114X7109	OP-MSYM012DPM05G	4-6A	5.3A	72-88	20
114X7110	OP-MSYM014DPM05G	5.5-8A	6.5A	64-77	25
114X7106	OP-LSQM014DPM05G	4-6A	5.0A	47-56	10

WD7

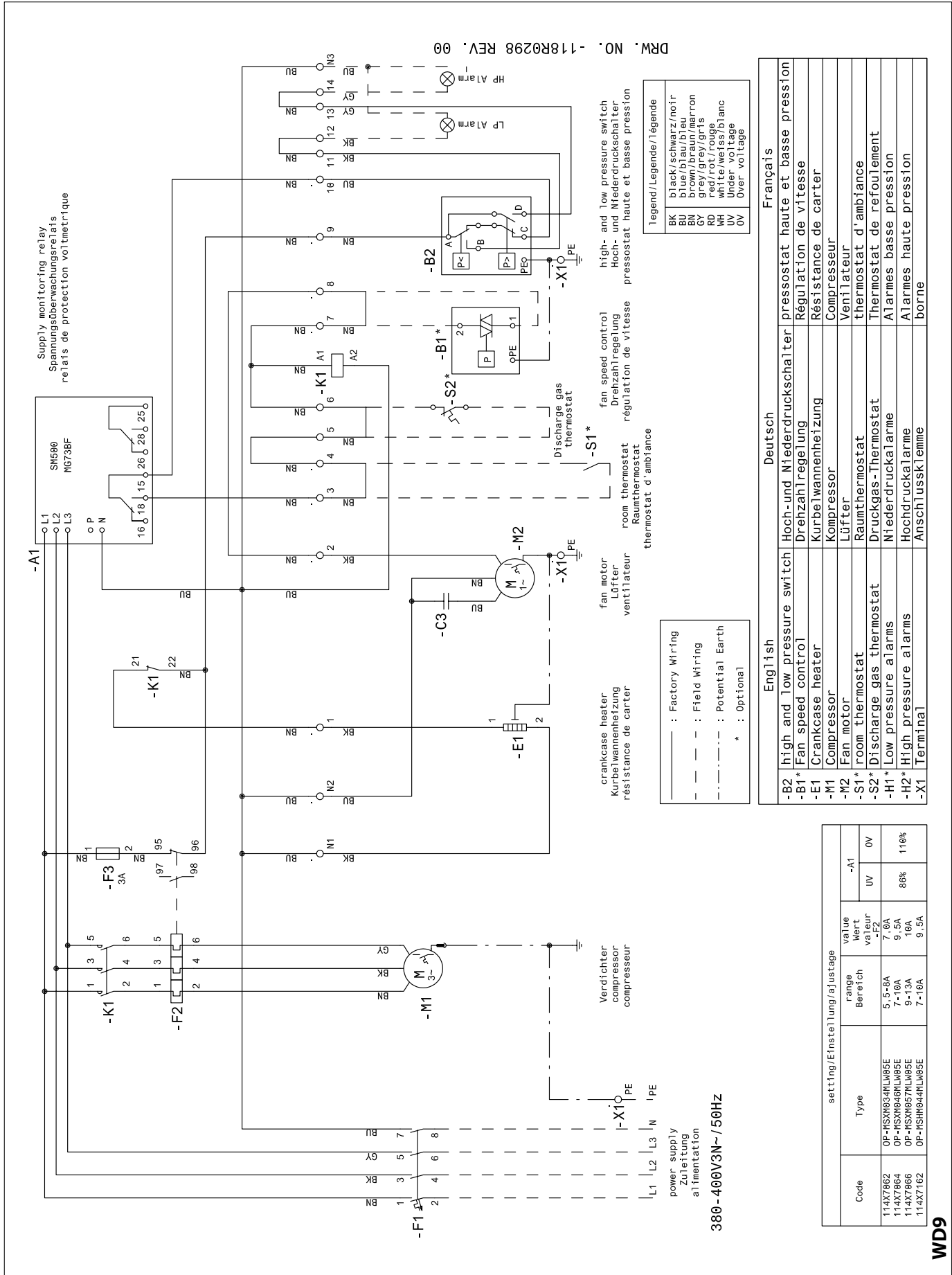
Instructions

Code G (W05): OP-MSXM034,044,046,057



Instructions

Code E (W05): OP-MSXM034,044,046,057

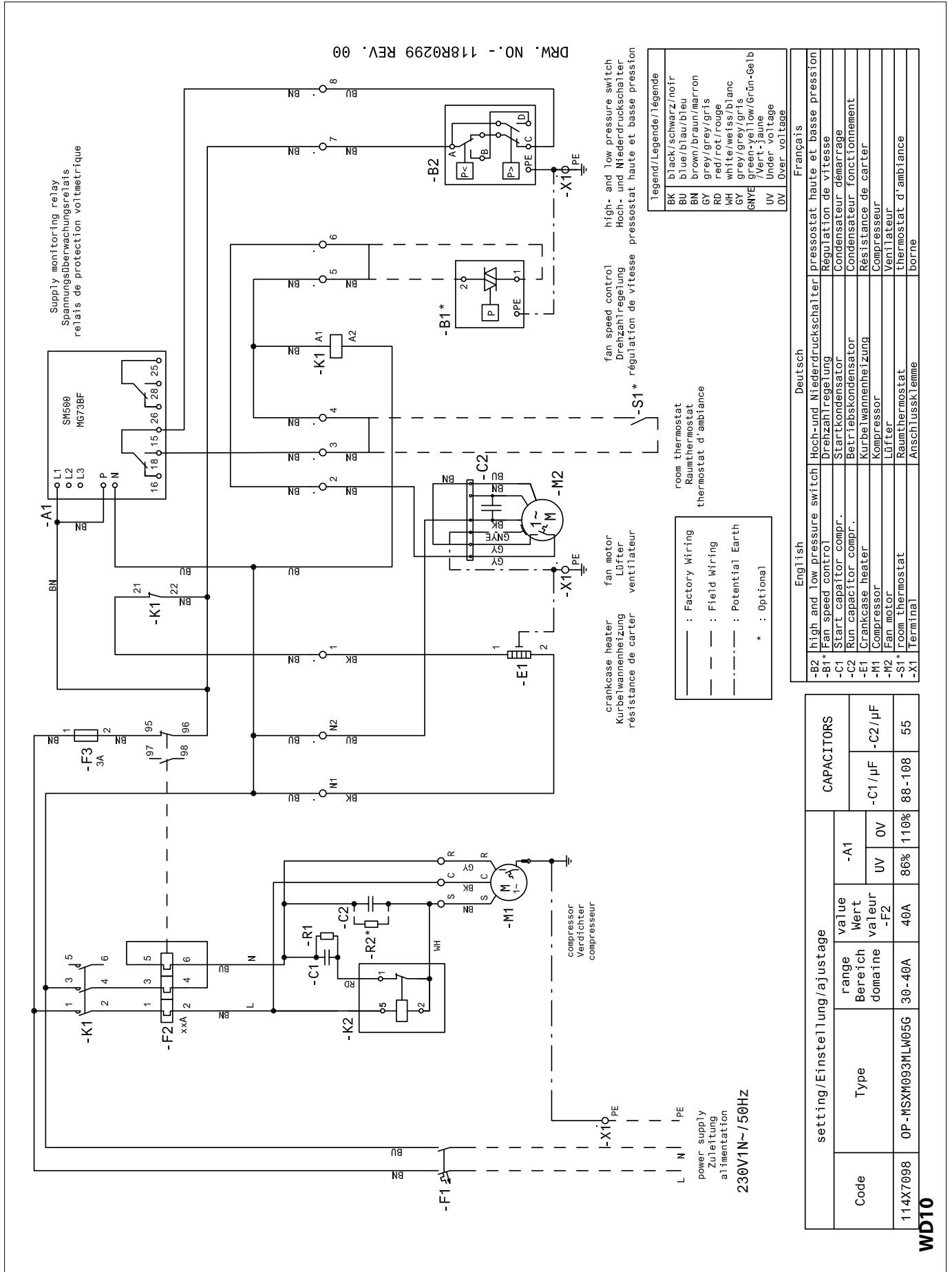


	Deutsch	Français
-B2	high and low pressure switch	pressostat haute et basse pression
-B1*	Fan speed control	Régulation de vitesse
-E1	Crankcase heater	Résistance de carter
-M1	Compressor	Compresseur
-M2	Fan motor	Ventilateur
-S1*	room thermostat	thermostat d'ambiance
-S2*	Discharge gas thermostat	Thermostat de reflux
-H1*	Low pressure alarms	Alarmes basse pression
-H2*	High pressure alarms	Alarmes haute pression
-X1	Terminal	borne

WD9

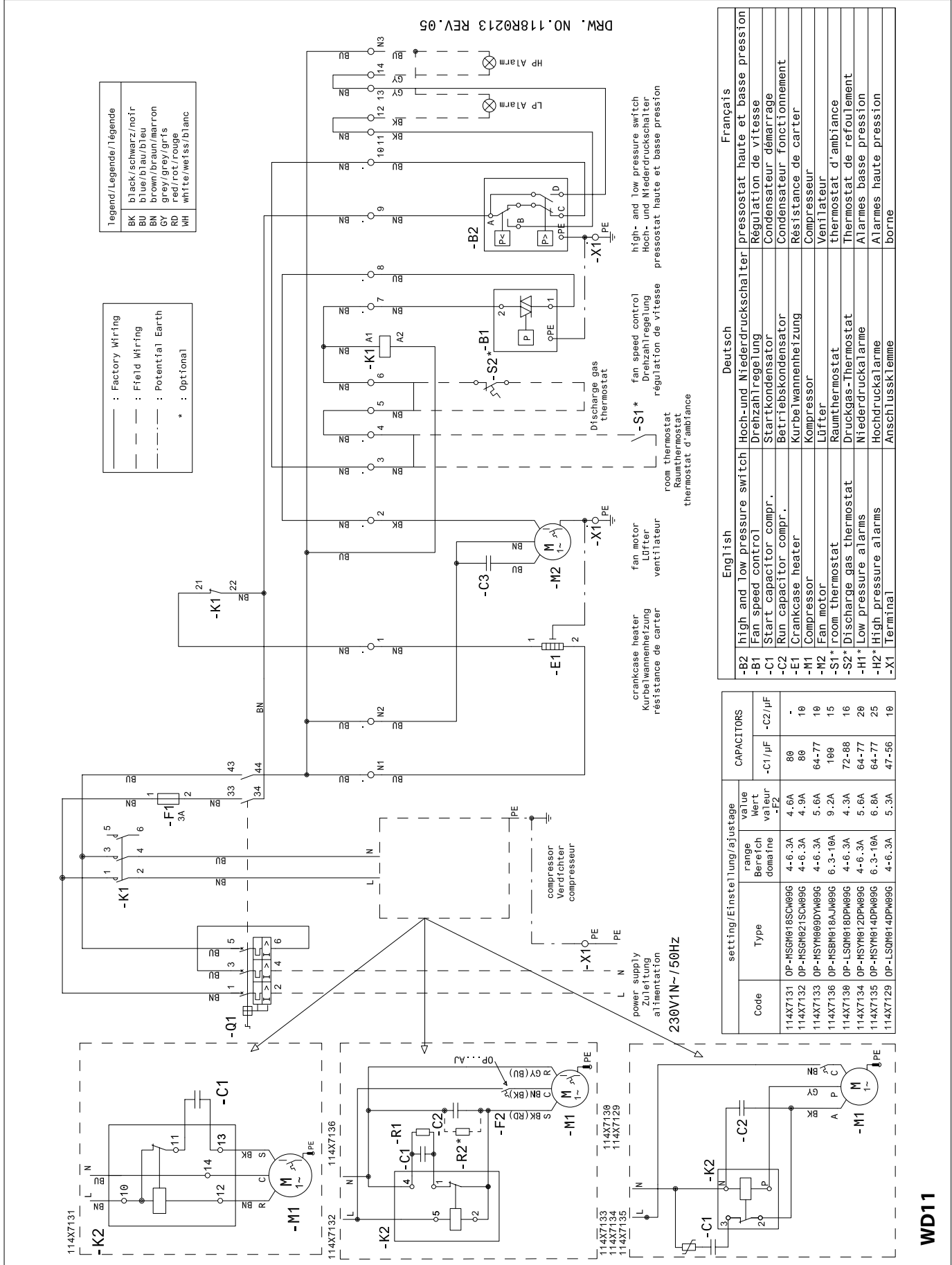
Instructions

Code G (W05): OP-MSXM093



Instructions

Code G (W09): OP-LSQM014, 018 - OP-MSGM018, 021, OP-MSYM009, 012, 014, OP-MSBM018



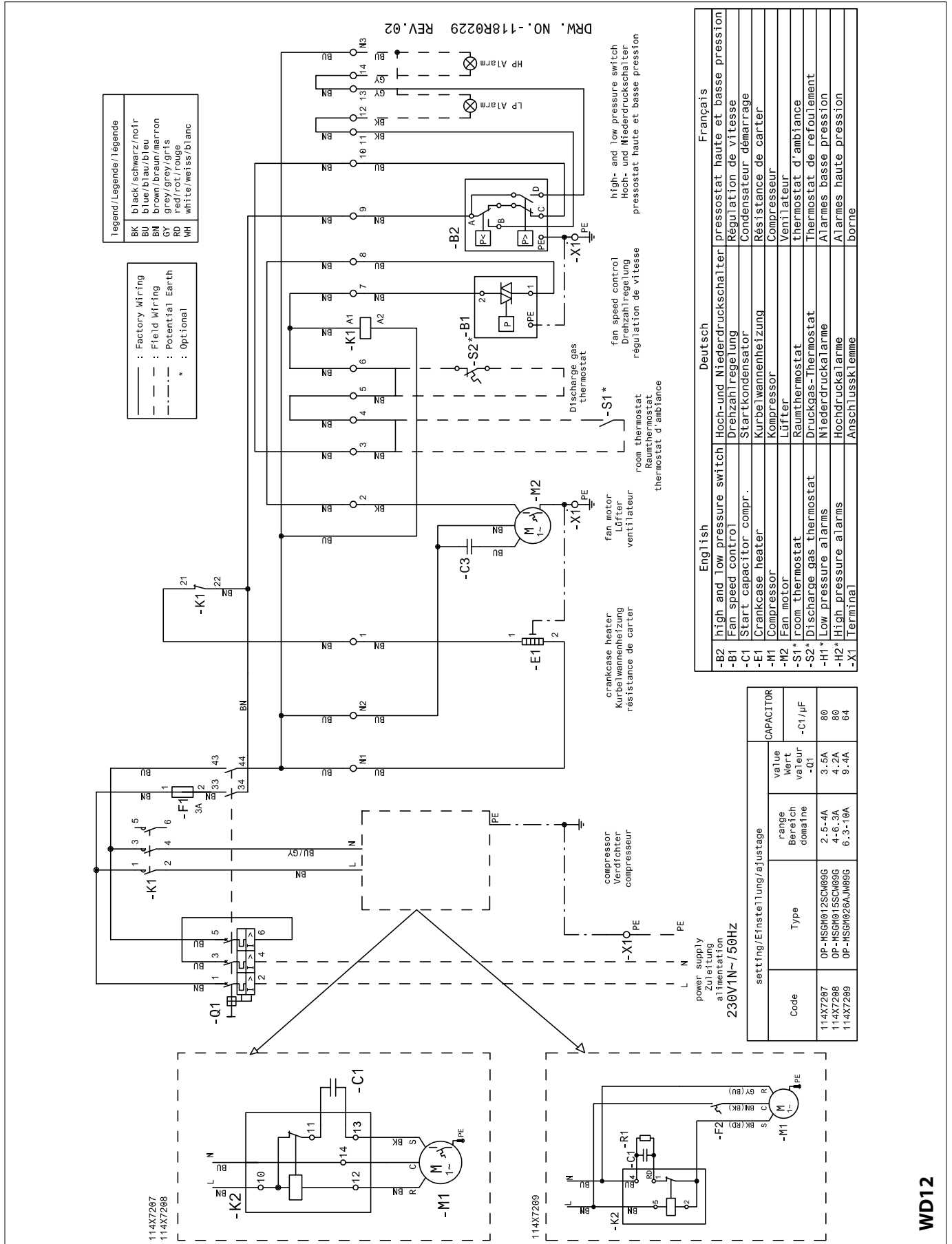
English	Deutsch	Français
-B2	high and low pressure switch	pressostat haute et basse pression
-B1	Fan speed control	Régulation de vitesse
-C1	Start capacitor compr.	Condensateur démarrage
-C2	Run capacitor compr.	Condensateur fonctionnement
-E1	Crankcase heater	Résistance de carter
-M1	Compressor	Compresseur
-M2	Fan motor	Ventilateur
-S1*	Room thermostat	thermostat d'ambiance
-S2*	Discharge gas thermostat	Thermostat de refolement
-H1	Low pressure alarms	Alarmes basse pression
-H2	High pressure alarms	Alarmes haute pression
-X1	Terminal	borne

Code	Type	setting/Einstellung/ajustage		CAPACITORS	
		range/Bereich/domaine	value/Wert/valeur	-C1/µF	-C2/µF
114X7131	OP-MSGM018SCW09G	4-6.3A	4.6A	88	-
114X7132	OP-MSGM021SCW09G	4-6.3A	4.9A	88	10
114X7133	OP-MSYM009DYW09G	4-6.3A	5.6A	64-77	10
114X7136	OP-MSBM018AJW09G	6.3-10A	9.2A	100	15
114X7130	OP-LSQM018DPW09G	4-6.3A	4.3A	72-88	16
114X7134	OP-MSYM012DPW09G	4-6.3A	5.6A	64-77	20
114X7135	OP-MSYM014DPW09G	6.3-10A	6.8A	64-77	25
114X7129	OP-LSQM014DPW09G	4-6.3A	5.3A	47-56	10

WD11

Instructions

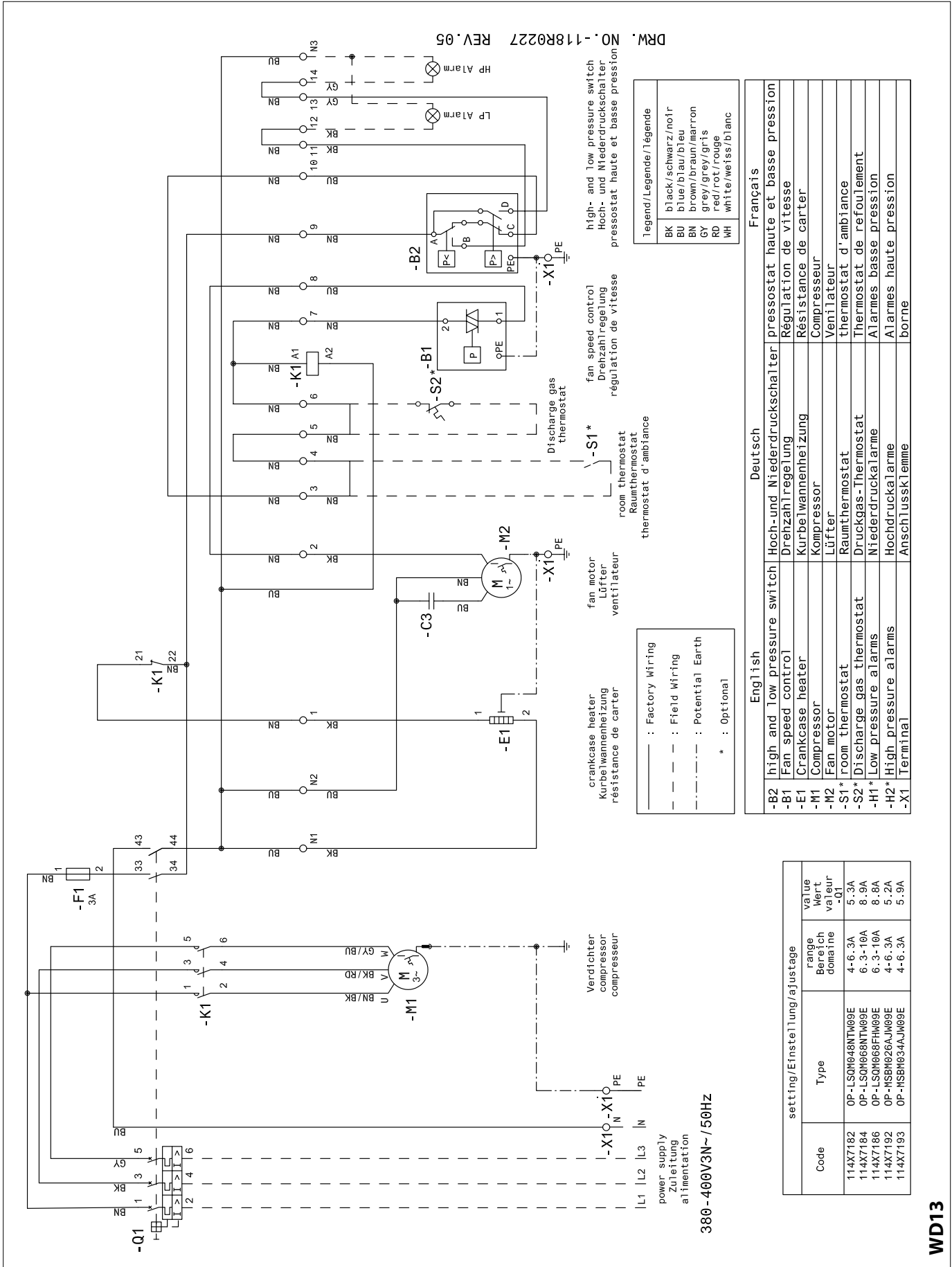
Code G (W09): OP-MSGM012, 015, 026



English	Deutsch	Français
-B2 high and low pressure switch	Hoch- und Niederdruckschalter	pressostat haute et basse pression
-B1 Fan speed control	Drehzahlregelung	Régulation de vitesse
-C1 Start capacitor comp.	Startkondensator	Condensateur démarrage
-E1 Crankcase heater	Kurbelwammenheizung	Résistance de carter
-M2 Fan motor	Kompressor	Compresseur
-S1* room thermostat	Lüfter	Ventilateur
-S2* Discharge gas thermostat	Raumthermostat	thermostat d'ambiance
-H1* Low pressure alarms	Druckgas-Thermostat	Thermostat de refluxement
-H2* High pressure alarms	Niederdruckalarne	Alarmes basse pression
-X1 Terminal	Hochdruckalarne	Alarmes haute pression
	Anschlussklemme	borne

Instructions

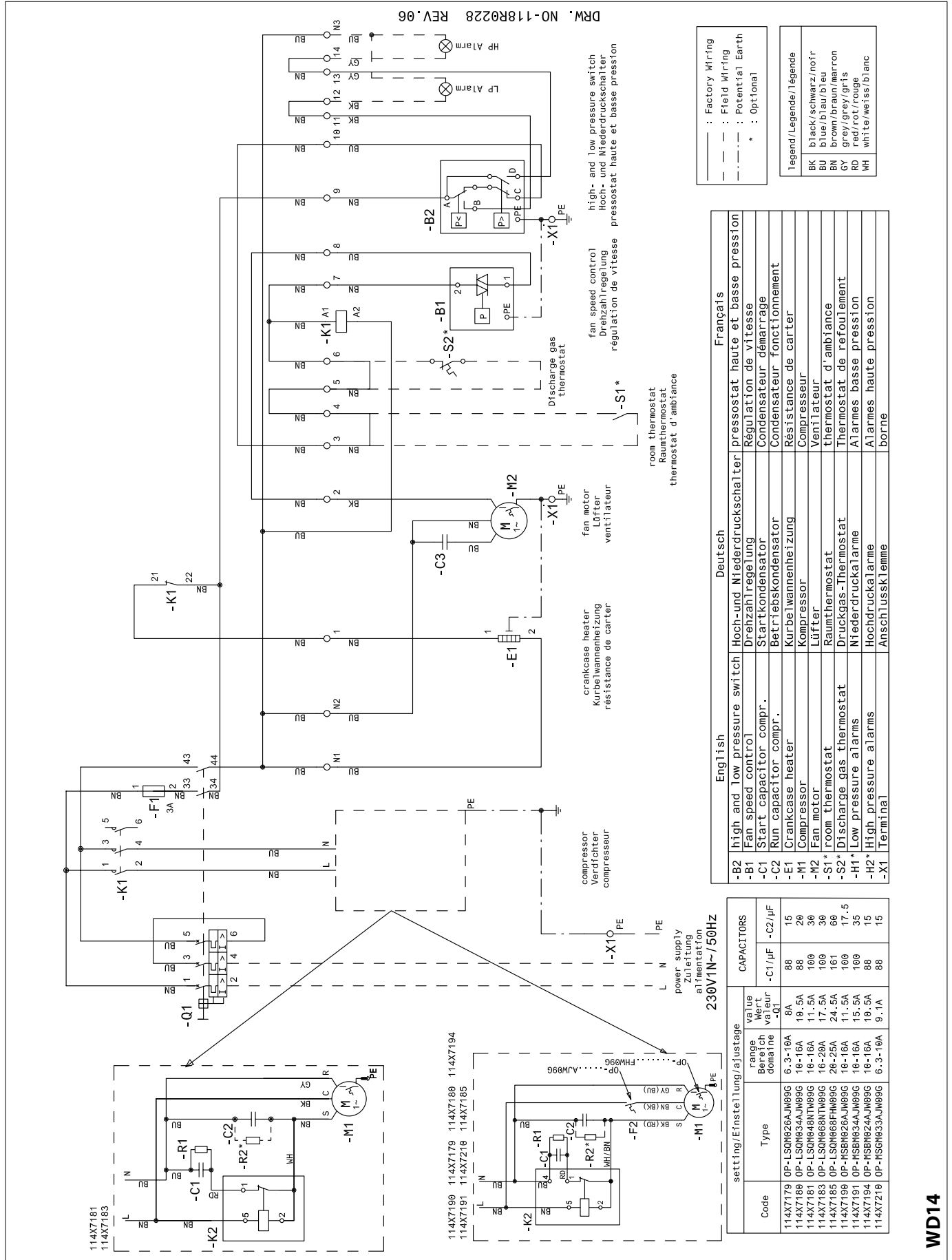
Code E (W09): OP-LSQM048, 068, 074 OP-MSBM026, 034 OP-MSXM034, 044, 046, 057



WD13

Instructions

Code G (W09): OP-LSQM026, 034, 048, 068, 074 OP-MSBM024, 026, 034 OP-MSGM033



—	: Factory Wiring
- - -	: Field Wiring
· · · · ·	: Potential Earth
*	: Optional

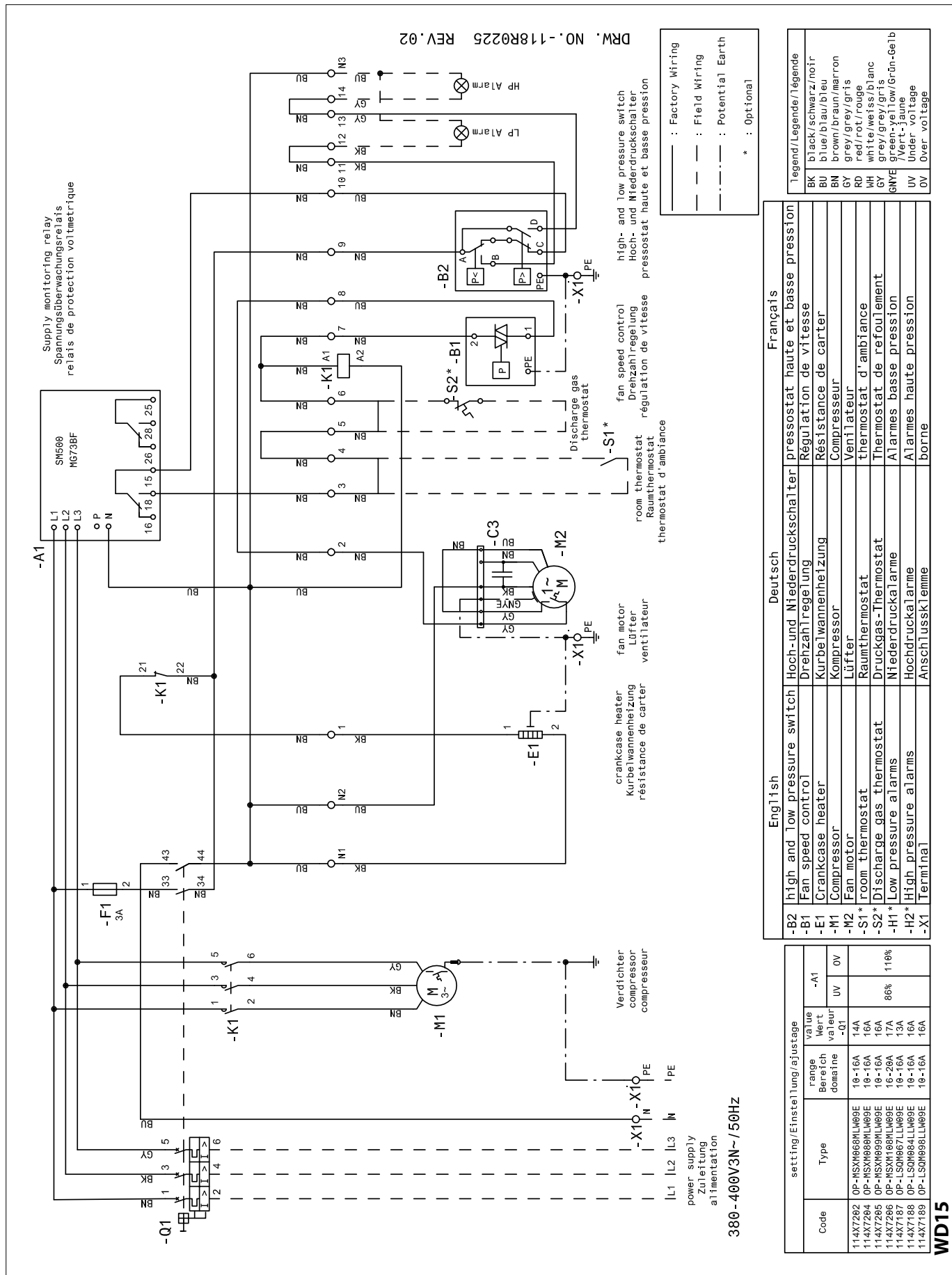
Legend/Légende/l'ègende	
BK	black/schwarz/noir
BU	blue/blau/bleu
BN	brown/braun/marron
GY	grey/gray/gris
RD	red/rot/rouge
WH	white/weiss/blanc

	English	Deutsch	Français
-B2	high and low pressure switch	Hoch- und Niederdruckschalter	pressostat haute et basse pression
-B1	Fan speed control	Drehzahlregelung	Régulation de vitesse
-C1	Start capacitor compr.	Startkondensator	Condensateur démarrage
-C2	Run capacitor compr.	Betriebskondensator	Condensateur fonctionnement
-E1	Crankcase heater	Kurbelwannenheizung	Résistance de carter
-M1	Compressor	Compressor	Compresseur
-M2	Fan motor	Lüfter	Ventilateur
-S1*	room thermostat	Raumthermostat	thermostat d'ambiance
-S2*	Discharge gas thermostat	Druckgas-Thermostat	Thermostat de refluxement
-H1*	Low pressure alarms	Niederdruckalarms	Alarmes basse pression
-H2*	High pressure alarms	Hochdruckalarms	Alarmes haute pression
-X1	Terminal	Anschlussklemme	borne

Code	Type	range Bereich domaïne	CAPACITORS	
			-C1/µF	-C2/µF
114X7179	OP-LSQM026AJM099G	6.3-10A	88	15
114X7180	OP-LSQM034AJM099G	10-16A	88	20
114X7181	OP-LSQM048AJM099G	10-16A	160	30
114X7183	OP-LSQM068AJM099G	16-20A	160	30
114X7185	OP-LSQM068FJM099G	20-25A	161	60
114X7199	OP-WSBM026AJM099G	10-16A	11.5A	17.5
114X7194	OP-WSBM034AJM099G	10-16A	15.5A	100
114X7210	OP-WSBM024AJM099G	10-16A	88	15
	OP-WSBM033AJM099G	6.3-10A	88	15

Instructions

Code E (W09): OP-MSXM068, 080, 099, 108 OP-LSQM067, 084, 098



Legend/Legende/Légende

- : Factory Wiring
- - - : Field Wiring
- · - · - : Potential Earth
- * : Optional

Legend/Legende/Légende

BK	black/schwarz/noir
BU	blue/blau/bleu
BN	brown/braun/marron
GY	grey/gray/gris
RD	red/rot/rouge
WH	white/weiß/blanc
GY	grey/gray/gris
GNVE	green-yellow/low/Grün-Gelb
UV	Under voltage
OV	Over voltage

	English	Deutsch	Français
-B2	high and low pressure switch	Hoch- und Niederdruckschalter	pressostat haute et basse pression
-B1	Fan speed control	Drehzahlregelung	Régulation de vitesse
-E1	Crankcase heater	Kurbelwammenheizung	Résistance de carter
-M1	Compressor	Kompressor	Compresseur
-M2	Fan motor	Lüfter	Ventilateur
-S1*	room thermostat	Raumthermostat	thermostat d'ambiance
-S2*	Discharge gas thermostat	Druckgas-Thermostat	thermostat de refoulement
-H1*	Low pressure alarms	Niederdruckalarms	Alarmes basse pression
-H2*	High pressure alarms	Hochdruckalarms	Alarmes haute pression
-X1	Terminal	Anschlussklemme	borne

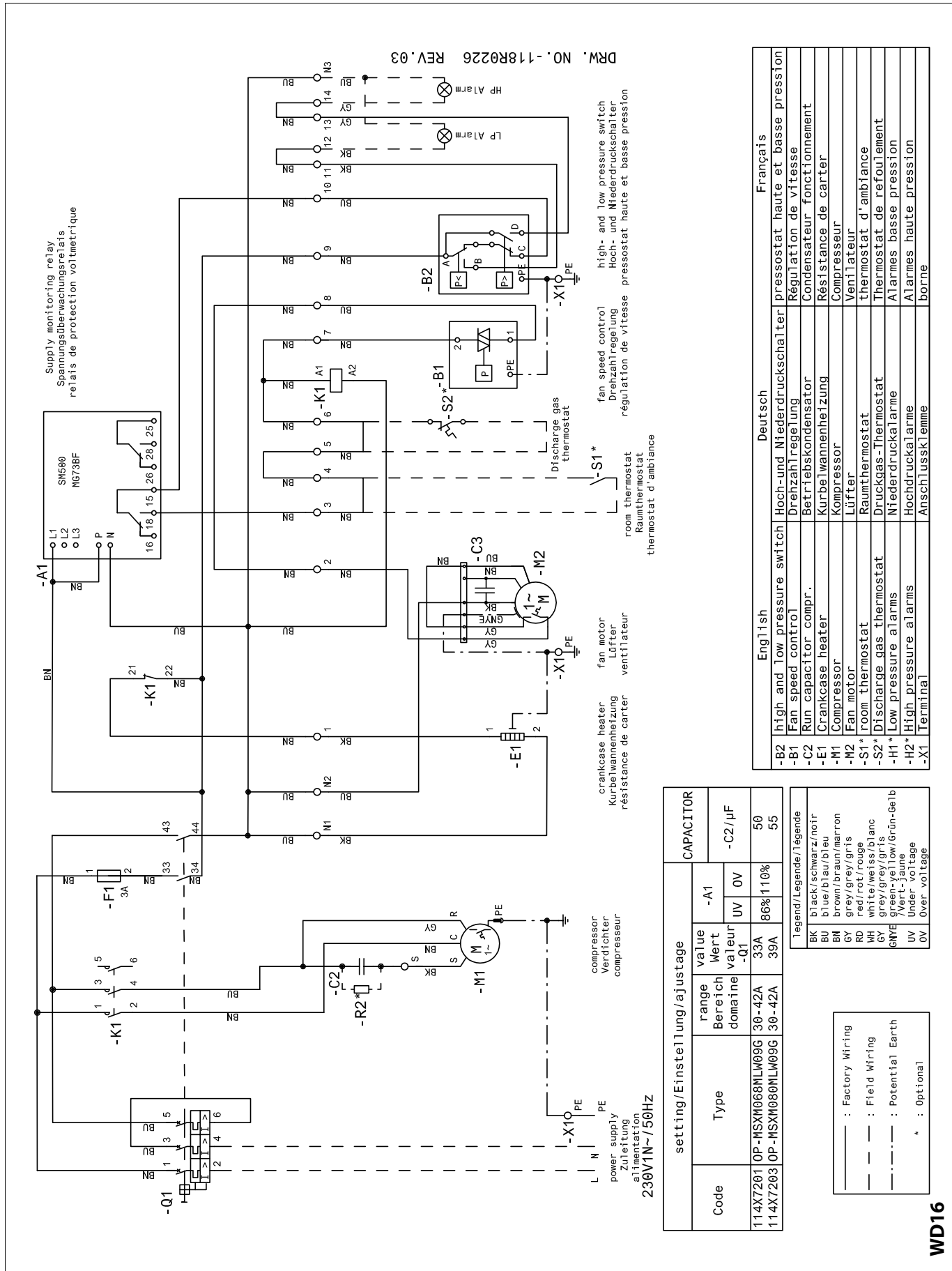
Code	setting/Einstellung/ajustage		Value Wert valeur
	Type	range Bereich domaine	
114X7202	OP-MSXM068LLW09E	10-16A	14A
114X7204	OP-MSXM069LLW09E	10-16A	16A
114X7205	OP-MSXM099LLW09E	10-16A	16A
114X7206	OP-MSXM109LLW09E	10-20A	17A
114X7187	OP-LSQM067LLW09E	10-16A	13A
114X7188	OP-LSQM084LLW09E	10-16A	16A
114X7189	OP-LSQM099LLW09E	10-16A	16A

380-400V3N~/50Hz

WD15

Instructions

Code G (W09): OP-MSXM068, 080



	Deutsch	Français
-B2	high and low pressure switch	pressostat haute et basse pression
-B1	Fan speed control	Régulation de vitesse
-C2	Run capacitor compr.	Condensateur fonctionnement
-E1	Crankcase heater	Résistance de carter
-M1	Compressor	Compresseur
-M2	Fan motor	Ventilateur
-S1 *	room thermostat	thermostat d'ambiance
-S2 *	Discharge gas thermostat	Thermostat de refluxion
-H1 *	Low pressure alarms	Alarmes basse pression
-H2 *	High pressure alarms	Alarmes haute pression
-X1	Terminal	Anschlussklemme

Code	setting/Einstellung/ajustage		CAPACITOR	
	range Bereich domaine	value Wert valeur	-A1 UV	-C2/µF OV
114X7201	OP-MSXM068MLW09G	30-42A	33A	50
114X7203	OP-MSXM080MLW09G	30-42A	39A	55

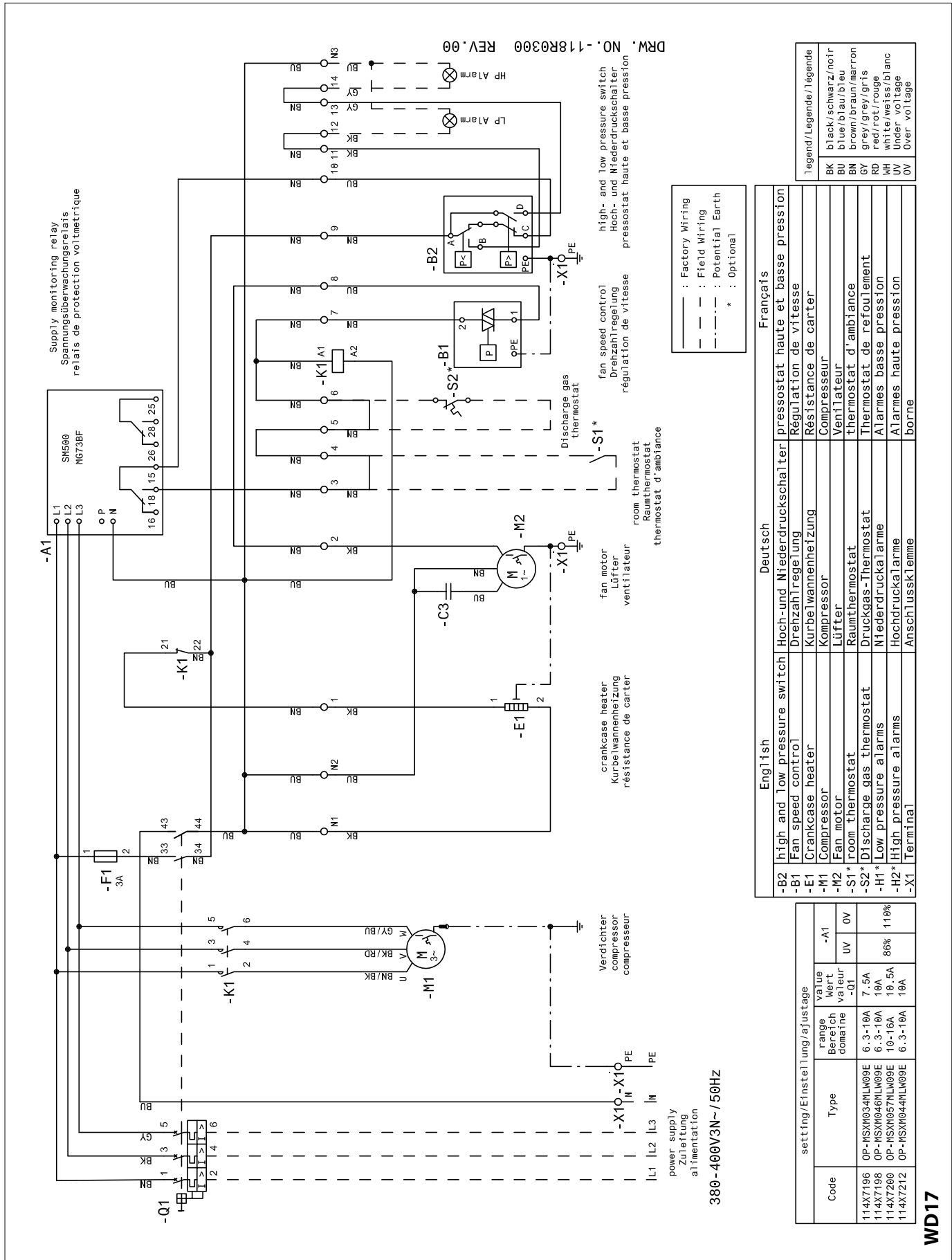
Legend/Legende/Légende	
BK	black/schwarz/noir
BU	blue/blau/bleu
BN	brown/braun/marron
GY	grey/gray/gris
RD	red/rot/rouge
WH	white/weiss/blanc
GY	grey/gray/gris
GNYE	green-yellow/Grün-Gelb
UV	Under voltage
OV	Over voltage

setting/Einstellung/ajustage	
Code	Type
---	Factory Wiring
- - -	Field Wiring
- . . . -	Potential Earth
* - - - -	Optional

WD16

Instructions

Code E (W09): OP-MSXM034,044,046,057



: Factory Wiring
 - - - : Field Wiring
 - · - · : Potential Earth
 * : Optional

	English	Deutsch	Français
-B2	high and low pressure switch	Hoch- und Niederdruckschalter	pressostat haute et basse pression
-B1	Fan speed control	Drehzahlregelung	Régulation de vitesse
-E1	Crankcase heater	Kurbelwannenheizung	Résistance de carter
-M1	Compressor	Kompressor	Compresseur
-M2	Fan motor	Lüfter	Ventilateur
-S1*	room thermostat	Raumthermostat	thermostat d'ambiance
-S2*	Discharge gas thermostat	Druckgas-Thermostat	Thermostat de refluxement
-H1*	Low pressure alarms	Niederdruckalarms	Alarmes basse pression
-H2*	High pressure alarms	Hochdruckalarms	Alarmes haute pression
-X1	Terminal	Anschlussklemme	borne

Legend/Legende/Légende

BK	black/schwarz/noir
BU	blue/blau/bleu
BN	brown/braun/marron
GY	grey/grey/gris
RD	red/rot/rouge
WH	white/weiß/blanc
UV	Under voltage
OV	Over voltage

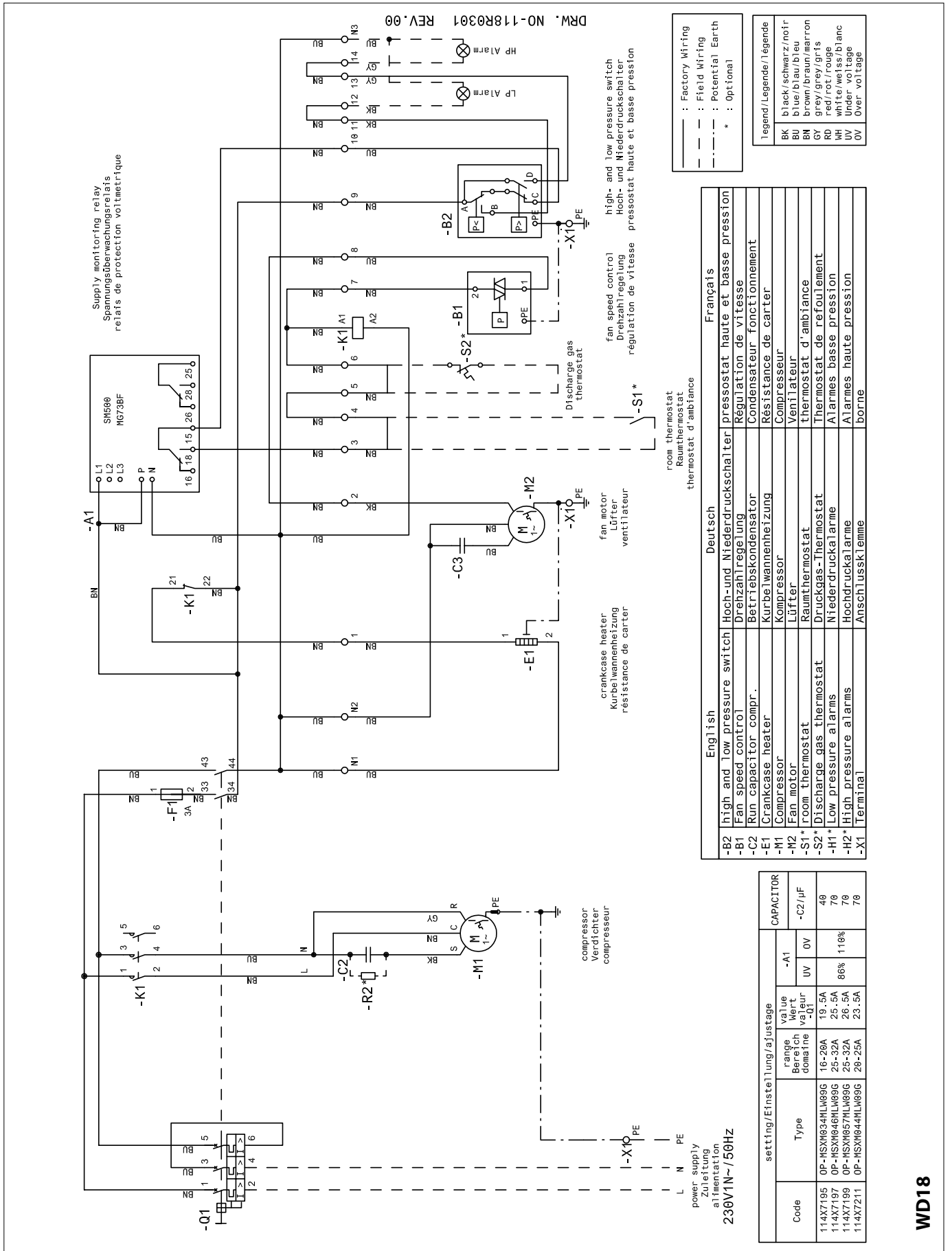
Code	Type	setting/Einstellung/ajustage	
		range/Bereich/domaine	value/Wert/valeur
114X7196	OP-MSXM034HLW09E	6.3-10A	7.5A
114X7198	OP-MSXM046HLW09E	6.3-10A	10A
114X7200	OP-MSXM057MLW09E	10-16A	10.5A
114X7212	OP-MSXM044MLW09E	6.3-10A	10A

380-400V3N~/50HZ

WD17

Instructions

Code G (W09): OP-MSXM034,044,046,057



---	: Factory Wiring
---	: Field Wiring
- - -	: Potential Earth
*	: Optional

Legend/Legende/Légende	
BK	black/schwarz/noir
BU	blue/blau/bleu
BN	brown/braun/marron
GY	grey/gray/gris
RD	red/rot/rouge
WH	white/weiß/blanc
OV	Over voltage

English	Deutsch	Français
-B2 high and low pressure switch	Hoch- und Niederdruckschalter	pressostat haute et basse pression
-B1 Fan speed control	Drehzahlregelung	Régulation de vitesse
-C2 Run capacitor compl.	Betriebskondensator	Condensateur fonctionnement
-E1 Crankcase heater	Kurbelwannenheizung	Résistance de carter
-M1 Compressor	Kompressor	Compresseur
-M2 Fan motor	Lüfter	Ventilateur
-S1 * Room thermostat	Raumthermostat	thermostat d'ambiance
-S2 Discharge gas thermostat	Druckgas-Thermostat	Thermostat de refluxement
-H1 * Low pressure alarms	Niederdruckalarms	Alarmes basse pression
-H2 * High pressure alarms	Hochdruckalarms	Alarmes haute pression
-X1 Terminal	Anschlussterminal	borne

Code	Type	setting/Einstellung/ajustage		CAPACITOR	
		range/Bereich/domaine	value/Wert/valeur	-A1	-C2/µF
114X7195	OP-MSXM034HLW09G	16-26A	19.5A	0V	40
114X7197	OP-MSXM046HLW09G	25-32A	25.5A	86%	70
114X7199	OP-MSXM057HLW09G	25-32A	26.5A	86%	70
114X7211	OP-MSXM044HLW09G	20-25A	23.5A		70

WD18

Instructions

English Legend

BK black	A1 Voltage relay	C3 Run capacitor fan	K2 Start relay
BU blue	A1* Voltage relay (option)	E1 Crankcase heater	M1 Compressor
BN brown	B1 Fan speed controller	F1 Main switch	M2 Fan motor
GY grey	B1* Fan speed controller (option)	F2 Overload relay	R1,R2,R2* Bleeder resistor
RD red	B2 High and Low pressure switch	F3 Fuse control circuit	S1* Room thermostat (option)
WH white	C1 Start capacitor compressor	F4 Compressor thermal protector	X1 Terminals
	C2 Run capacitor compressor	K1 Contactor	* Option (remove bridge)

Dansk Legend

BK sort	A1 Spændingsrelæ	C3 Driftskondensator (Ventilator)	K2 Startrelæ
BU blå	A1* Spændingsrelæ	E1 Krumbælgvarmer	M1 Kompressor
BN brun	B1 Ventilatorhastighedsregulator	F1 Hovedafbryder	M2 Ventilatormotor
GY grå	B1* Ventilatorhastighedsregulator (ekstraustyr)	F2 Termorelæ	R1,R2,R2* Afledningsmodstand
RD rød	B2 Højtrykspøstostat & Lavtrykspøstostat	F3 Sikring (Styrekredsløb)	S1* Rumtermostat (ekstraustyr)
WH hvid	C1 Startkondensator (Kompressor)	F4 Kompressor termisk protector	X1 Terminal
	C2 Driftskondensator (Kompressor)	K1 Kontaktor	* Option (fjern bro)

Deutsch Legende

BK schwarz	A1 Spannungsrelais	C3 Betriebskondensator (Lüfter)	K2 Anlaufrelais
BU blau	A1* Spannungsrelais	E1 Kurbelwannenheizung	M1 Verdichter
BN braun	B1 Lüfterdrehzahlregler	F1 Hauptschalter	M2 Lüftermotor
GY grau	B1* Lüfterdrehzahlregler (optional)	F2 Überlastrelais	R1,R2,R2* Löschwiderstand
RD rot	B2 Hochdruckschalter & Niedersdruckschalter	F3 Sicherung (Steuerkreis)	S1* Raumthermostat (Option)
WH weiss	C1 Anlaufkondensator (Verdichter)	F4 Kompressor Wicklungsschutz	X1 Reihenklemmen
	C2 Betriebskondensator (Verdichter)	K1 Schütz	* Option (Brücke entfernen)

Français Légende

BK noir	A1 Relai de tension	C3 Relais de surcharge (ventilateur)	M1 Compresseur
BU bleu	A1* Relai de tension (option)	E1 Résistance de carter	M2 Moteur de ventilateur
BN marron	B1 Régulateur de vitesse du ventilateur	F1 Sectionneur principal	R1,R2,R2* Résistance de fuite
GY gris	B1* Régulateur de vitesse du ventilateur (option)	F2 Relais de surcharge	S1* thermostat d'ambiance(option)
RD rouge	B2 Pressostat haute et basse pression	F3 Circuit de commande de fusible	X1 Bornes
WH blanc	C1 Condensateur de démarrage (compresseur)	F4 Compresseur protecteur thermique	* Option (enlever le pont)
	C2 Relais de surcharge (compresseur)	K1 Contacteur	
		K2 Relais de démarrage	

Español leyenda

BK negro	A1 Relé de tensión	(compresor)	K2 Relé de arranque
BU azul	A1* Relé de tensión (opcional)	C3 Condensador de funcionamiento (ventilador)	M1 Compresor
BN marrón	B1 Controlador velocidad del ventilador	E1 Resistencia del cárter	M2 Motor del ventilador
GY gris	B1* Controlador velocidad del ventilador (opcional)	F1 Interruptor principal	R1,R2,R2* Resistencia de absorción
RD rojo	B2 Presostato de alta & de baja presión	F2 Relé de sobrecarga	S1* Termostato ambiente (opcional)
WH blanco	C1 Condensador de arranque (compresor)	F3 Fusible (circuito de control)	X1 Terminales
	C2 Condensador de funcionamiento	F4 Compresor protector térmico	* Opción (quitar el puente)
		K1 Contactor	

Italiano leggenda

BK nero	A1 Relè di tensione	C3 Condensatore di marcia (ventola)	M1 Compressore
BU blu	A1* Relè di tensione (opzionale)	E1 Resistenza carter	M2 Motore ventola
BN marrone	B1 Regolatore velocità ventola	F1 Interruttore principale	R1,R2,R2* Resistenza di dispersione
GY grigio	B1* Regolatore velocità ventola (opzionale)	F2 Relè di sovraccarico	S1* Termostato ambiente (opzionale)
RD rosso	B2 Pressostato alta & bassa pressione	F3 Fusibile (circuito di controllo)	X1 Terminale
WH bianco	C1 Condensatore di avviamento (compressore)	F4 Compressore protettore termico	* Opzione (togliere il ponte)
	C2 Condensatore di marcia (compressore)	K1 Contattore	
		K2 Relè avviamento	

Português Lenda

BK preto	A1 Relé de tensão	C2 Condensador de trabalho (Compressor)	K2 Relé de arranque
BU azul	A1* Relé de tensão (opcional)	C3 Condensador de trabalho (Ventilador)	M1 Compressor
BN marrom	B1 Controlador de velocidade do ventilador	E1 Resistência de cárter	M2 Motor do ventilador
GY cinza	B1* Controlador de velocidade do ventilador (opcional)	F1 Interruptor principal	R1,R2,R2* Sangrador resistor
RD vermelho	B2 Pressostato de alta & de baixa pressão	F2 Relé de sobrecarga	S1* Termostato ambiente (opcional)
WH branco	C1 Condensador de arranque (Compressor)	F3 Fusível (Circuito de controlo)	X1 Terminal
		F4 Compressor protetor térmico	* Opção (remover ponte)
		K1 Contactor	

Nederlandse legenda

BK zwart	A1 Spanningsrelais	C3 Bedrijfscondensator (ventilator)	K2 Startrelais
BU blauw	A1* Spanningsrelais (optioneel)	E1 Carterverwarming	M1 Compressor
BN bruin	B1 Toerenregelaar ventilator	F1 Hoofdschakelaar	M2 Ventilatormotor
GY grijs	B1* Toerenregelaar ventilator (optioneel)	F2 Overbelastingsrelais	R1,R2,R2* Delingsweerstand
RD rood	B2 Hogedrukschakelaar & Lagedrukschakelaar	F3 Zekering (stuurkring)	S1* Ruimte Thermostaat (contact) (optioneel)
WH wit	C1 Startcondensator (compressor)	F4 Thermische beveiliging compressor	X1 Aansluiting
	C2 Bedrijfscondensator (compressor)	K1 Schakelaar	* Option (brug verwijderen)

Instructions

Suomi Legenda BK musta BU sininen BN ruskea GY harmaa RD punainen WH valkoinen	A1 Jänniterele A1* Jänniterele (lisävaruste) B1 Puhaltimen nopeussäädin B1* Puhaltimen nopeussäädin (lisävaruste) B2 Korkeapainekytin & Matalapainekytin C1 Käynnistyskondensaattori (kompressor) C2 Käyntikondensaattori (kompressor)	C3 Käyntikondensaattori (puhallin) E1 Kampikammion lämmitin F1 Pääkytkin F2 Ylikuormitusrele F3 Sulake (säätöpiiri) F4 Kompressorin lämpösuoja K1 Kontaktori	K2 Käynnistysrele M1 Kompressor M2 Puhaltimen moottori R1,R2,R2* Resistanssin S1* Huonetermostaatti (lisävaruste) X1 Liitin * Vaihtoehto (poista silta)
Ελληνικά Θρόλος BK μαύρος BU μπλε BN καφέ GY γκρι RD κόκκινος WH λευκό	A1 ρελέ τάσης A1* ρελέ τάσης (προαιρετικός) B1 Ελεγκτής Ταχύτητας Ανεμιστήρα B1* Ελεγκτής Ταχύτητας Ανεμιστήρα (προαιρετικός) B2 Διακόπτης Υψηλής & Χαμηλής Πίεσης C1 Πυκνωτής Εκκίνησης (Συμπιεστής) C2 Πυκνωτής Λειτουργίας (Συμπιεστής)	C3 Πυκνωτής Λειτουργίας (Ανεμιστήρας) E1 Θερμαντήρας Στροφαλοθαλάμου F1 Διακόπτης Ρεύματος F2 αναμετάδοση υπερφόρτωση F3 Ασφάλεια (Κύκλωμα Ελέγχου) F4 Θερμικό προστασίας του συμπιεστή K1 Επαφείας K2 Ρελέ Εκκίνησης	M1 Συμπιεστής M2 Κινητήρας Ανεμιστήρα R1,R2,R2* εξαέρωσης αντίσταση S1* Θερμοστάτης Δωματίου (προαιρετικός) X1 Ακροδέκτης * Επιλογή (αφαίρεση γέφυρα)
Norsk Legende BK svart BU blå BN brun GY grå RD red WH hvit	A1 Spenningsrelé A1* Spenningsrelé (ekstra) B1 Viftehastighetsregulator B1* Viftehastighetsregulator (ekstra) B2 Høytrykksbryter & Lavtrykksbryter C1 Startkondensator (kompressor) C2 Driftskondensator (kompressor)	C3 Driftskondensator (vifte) E1 Veivhusvarmer F1 Hovedbryter F2 Overlastrelé F3 Sikring (styrekurs) F4 Kompressor thermal protector K1 Kontaktor	K2 Startrelé M1 Kompressor M2 Viftemotor R1,R2,R2* Avledningsmotstand S1* Romtermostat (ekstra) X1 Klemme * Alternativ (fjern bro)
Български (Bălgarski) Легенда BK черен BU син BN кафяв GY сив RD червен WH бял	A1 Напряжение реле A1* Напряжение реле (опция) B1 Регулятор на скоростта на вентилатора B1* Регулятор на скоростта на вентилатора (опция) B2 Пресостат високо & ниско налягане C1 Пусков кондензатор (компресор) C2 Работен кондензатор (компресор)	C3 Работен кондензатор (вентилатор) E1 Нагревател на корпуса F1 Главен прекъсвач F2 Сврѣхтовар реле F3 Предпазител (управляваща верига) F4 Компресор термична защита K1 Контактор K2 Пусково реле	M1 Компресор M2 Електромотор на вентилатора R1,R2,R2* Хемофилик резистор S1* Термостат на помещението (опция) X1 Клема * Опция (премахнете мост)
Română Legendă BK negru BU albastru BN maro GY gri RD roșu WH alb	A1 Tensiunea releu A1* Tensiunea releu (opțional) B1 Regulator viteză ventilator B1* Regulator viteză ventilator (opțional) B2 Presostat înaltă & joasă presiune C1 Condensator de pornire (Compresor) C2 Condensator rula (Compresor)	C3 Condensator de pornire (Ventilator) E1 Rezistență de carter F1 Comutator principal F2 Suprasarcină releu F3 Siguranță (Circuit de comandă) F4 Protector compresor termic K1 Contactor	K2 Releu de pornire M1 Compresor M2 Motor ventilator R1,R2,R2* Aerisire rezistor S1* Termostat de cameră (opțional) X1 Bornă * Opțiunea (elimina pod)
Čeština Legenda BK černá BU modrá BN hnědá GY šedá RD červená WH bílá	A1 Napětovérelé A1* Napětovérelé (napřání) B1 Regulatorotáčekventilátoru B1* Regulatorotáčekventilátoru (napřání) B2 Kombinovanývysoko-anížkotlakýpresostat C1 Rozběhovýkondenzátorkompresoru C2 Provozníkondenzátorkompresoru C3 Provozníkondenzátorventilátoru	E1 Vyhříváníolejovévany F1 Hlavnívypínač F2 Nadproudovérelé F3 Pojistka(ovládaciobvod) F4 Tepelnáochranakompresoru K1 Stykač K2 Rozběhovovérelé M1 Kompresor	M2 Motorventilátoru R1,R2,R2* Vybíjecirezistor S1* Prostorovýtermostat(napřání) X1 Svorky * Varianta(odstraňtepropojku)
Polski Legenda BK czarny BU niebieski BN brązowy GY szary RD czerwony WH biały	A1 Przełącznik nadzoru napięcia A1* Przełącznik nadzoru napięcia (opcja) B1 Regulator prędkości wentylatora B1* Regulator prędkości wentylatora (opcja) B2 Presostat wysokiego i niskiego ciśnienia C1 Kondensator rozruchowy (sprężarka) C2 Kondensator pracy (sprężarka)	C3 Kondensator pracy (wentylator) E1 Grzałka karteru sprężarki F1 Wyłącznik główny F2 Przełącznik przeciążeniowy F3 Bezpiecznik obwód sterowania F4 Zabezpieczenie termiczne sprężarki K1 Stycznik	K2 Przełącznik rozruchowy M1 Sprężarka M2 Silnik wentylatora R1,R2,R2* Rezystor upływowy S1* Termostat komorowy (opcja) X1 Zaciski * Opcja (usunąć mostek)
Русский Легенда BK черный BU синий BN коричневый GY серый RD красный WH белый	A1 Реле напряжения A1* Реле напряжения (опция) B1 Регулятор скорости вращения вентилятора B1* Регулятор скорости вращения вентилятора (опция) B2 Датчик высокого давления & Реле низкого давления C1 Пусковой конденсатор (компрессор) C2 Рабочий конденсатор (компрессор)	C3 Рабочий конденсатор (вентилятор) E1 Подогреватель картера F1 Главный выключатель F2 Реле перегрузки F3 Предохранитель цепи управления F4 Тепловая защита компрессора K1 Контактор K2 Пусковое реле M1 Компрессор	M2 Мотор вентилятора R1,R2,R2* Стабилизирующий нагрузочный резистор S1* Комнатный терморегулятор (опция) X1 Клеммы * Опция (убрать мостик)



Danfoss A/S

Climate Solutions • danfoss.com • +45 7488 2222

Any information, including, but not limited to information on selection of product, its application or use, product design, weight, dimensions, capacity or any other technical data in product manuals, catalogues descriptions, advertisements, etc. and whether made available in writing, orally, electronically, online or via download, shall be considered informative, and is only binding if and to the extent, explicit reference is made in a quotation or order confirmation. Danfoss cannot accept any responsibility for possible errors in catalogues, brochures, videos and other material. Danfoss reserves the right to alter its products without notice. This also applies to products ordered but not delivered provided that such alterations can be made without changes to form, fit or function of the product.

All trademarks in this material are property of Danfoss A/S or Danfoss group companies. Danfoss and the Danfoss logo are trademarks of Danfoss A/S. All rights reserved.
