

Installation Guide

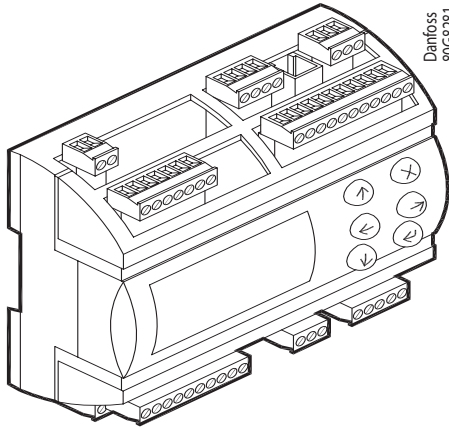
MCX 08 M2 - ECA 5, 24 V a.c. (code no. 080G0337)



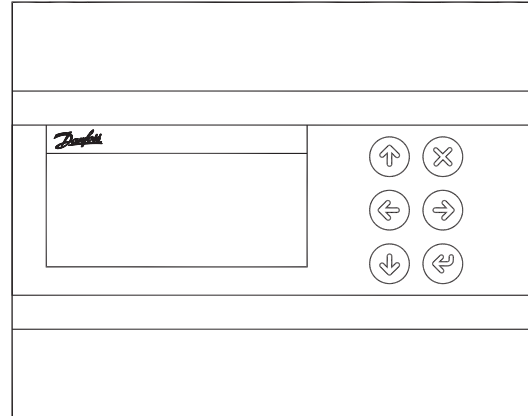
084B8065



AN39042898466700-000102

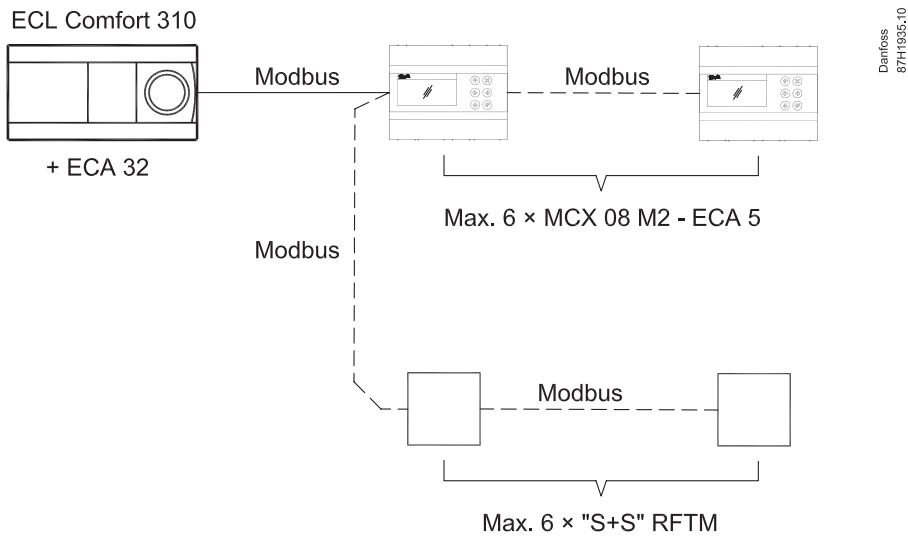


Danfoss
80G8281

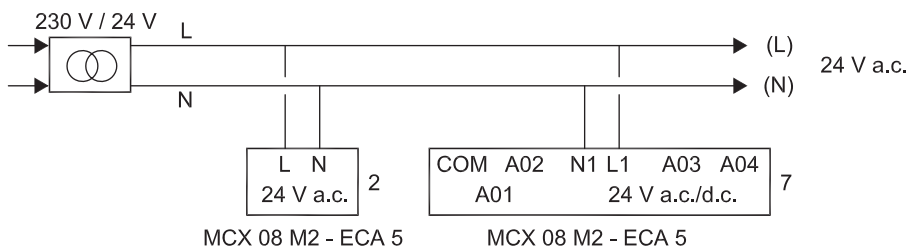


Danfoss
87H1946.10

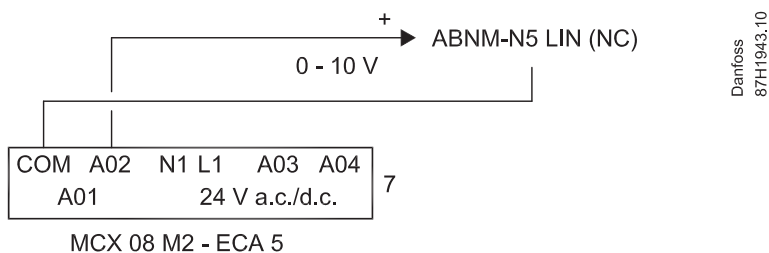
Modbus system



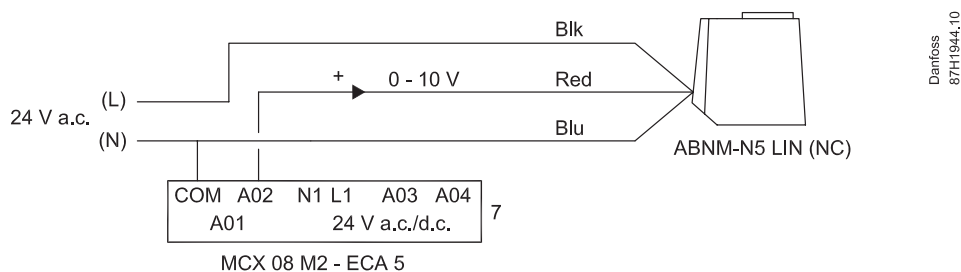
Power connection:



**Analog output:
AO2**

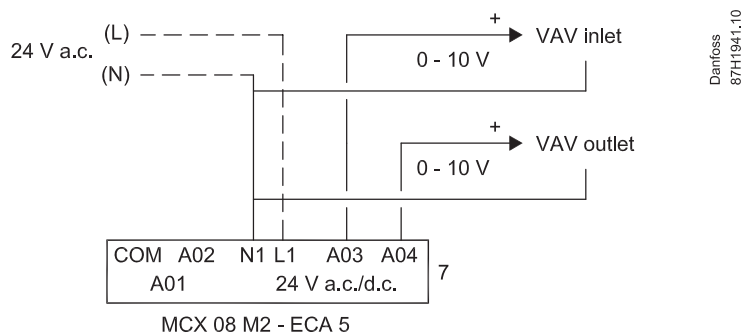


**Analog output:
AO2**



- Blk = Black, Schwartz, Noire, Sort
- Red = Red, Rot, Rouge, Rød
- Blu = Blue, Blau, Bleu, Blå

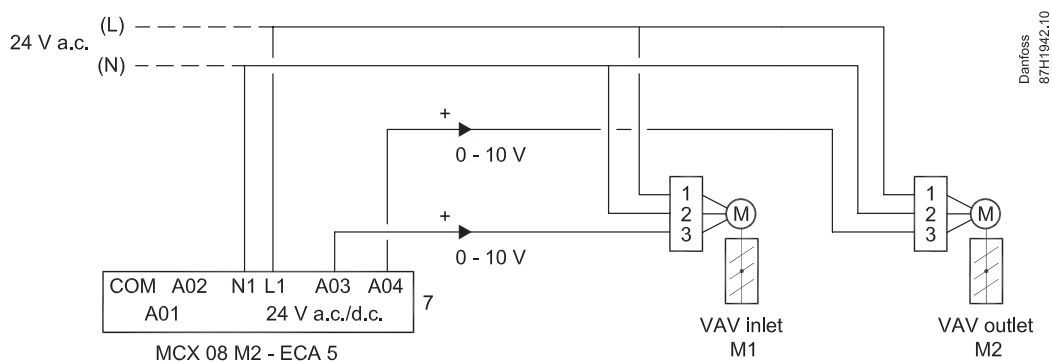
**Analog output:
AO3, AO4**



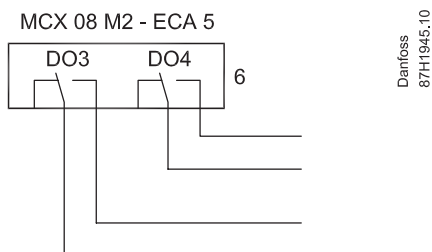
- AO3: VAV inlet control
- AO4: VAV outlet control

Installation Guide, MCX 08 M2 - ECA 5, 24 V a.c.

Analog output: AO3, AO4

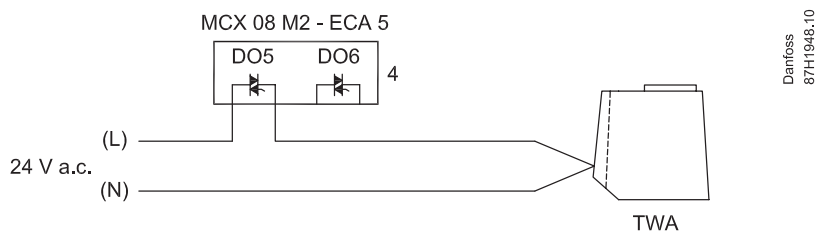


Digital output: DO3, DO4

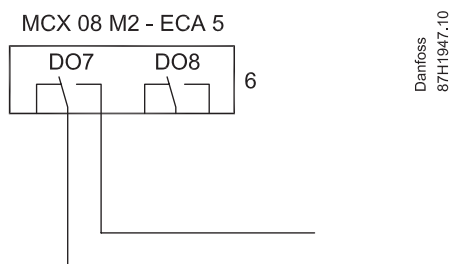


DO3: Forced override
DO4: Time limited override

Digital output: DO5

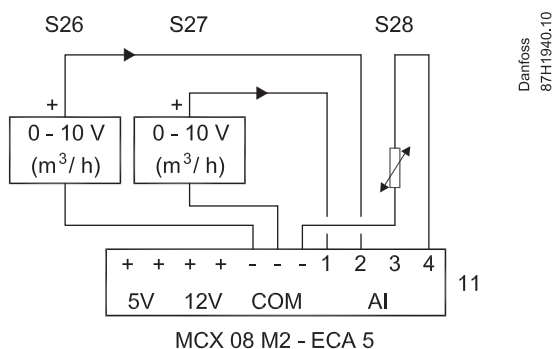


Digital output: DO7



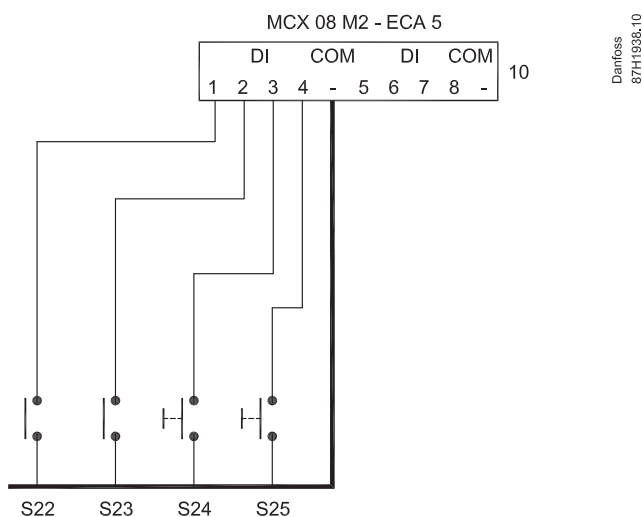
DO7: Schedule / Thermostat

**Analog input:
AI1, AI2, AI4**



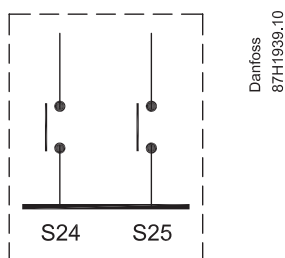
- S26: VAV inlet volume
- S27: VAV outlet volume
- S28: Window temperature, Pt 1000

**Digital input:
DI1, DI2, DI3, DI4**



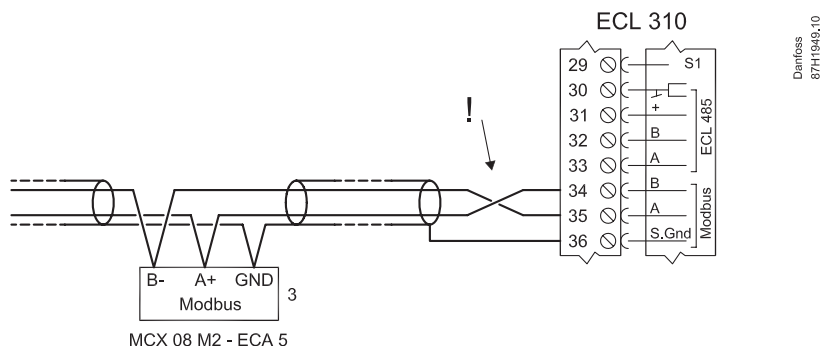
- S22: PIR
- S23: Window
- S24: Time limited override
- S25: Forced override

**Digital input:
DI3, DI4
Alternative**



Modbus:

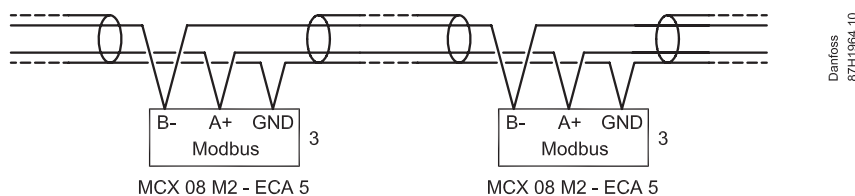
ECL 310 - MCX 08 M2 - ECA 5



Modbus:

MCX 08 M2 - ECA 5

(Daisy chain)

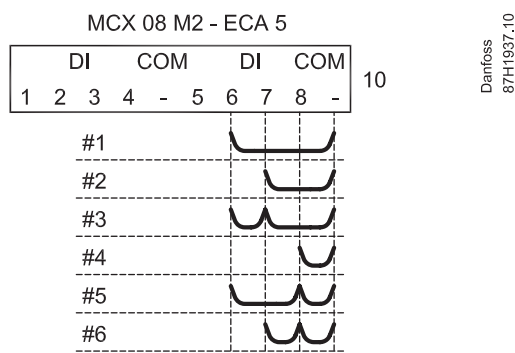


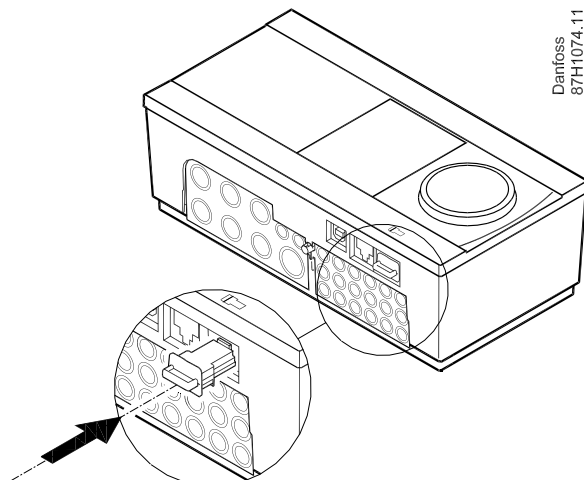
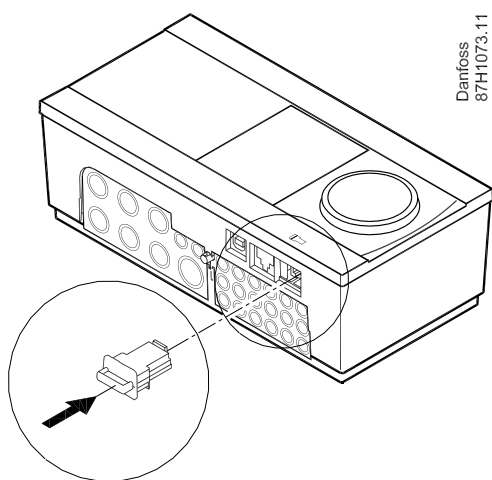
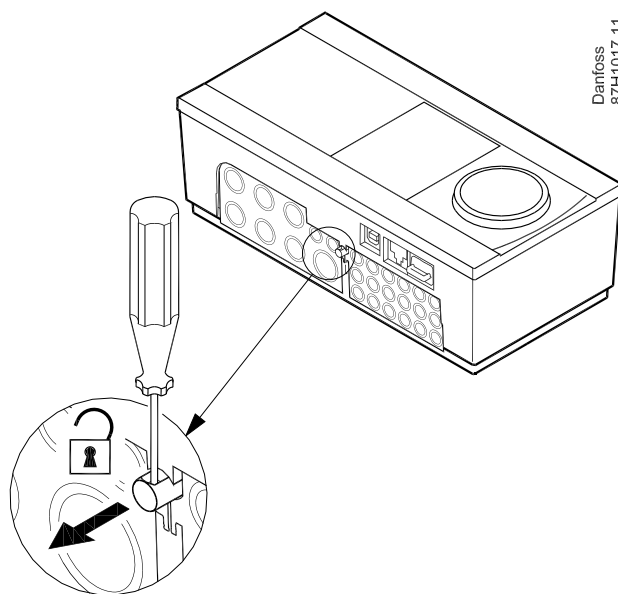
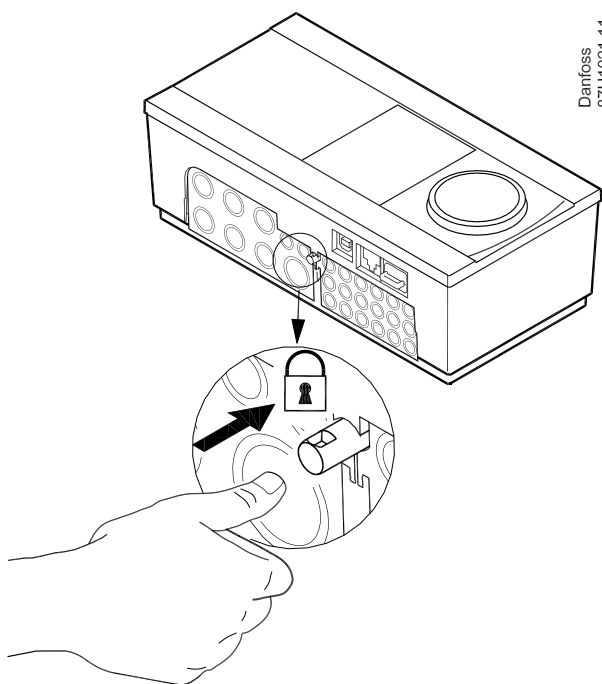
Digital input:

DI6, DI7, DI8

Modbus address

#1, #2, #3, #4, #5, #6





? **ECL Comfort 310: www.danfoss.com**

? **MCX 08 M2: www.danfoss.com**

? **<https://www.youtube.com/user/DanfossHeating>
-> Playlists -> How-to Videos -> District Energy installation videos**



Danfoss A/S

Climate Solutions • danfoss.com • +45 7488 2222

Any information, including, but not limited to information on selection of product, its application or use, product design, weight, dimensions, capacity or any other technical data in product manuals, catalogues descriptions, advertisements, etc. and whether made available in writing, orally, electronically, online or via download, shall be considered informative, and is only binding if and to the extent, explicit reference is made in a quotation or order confirmation. Danfoss cannot accept any responsibility for possible errors in catalogues, brochures, videos and other material. Danfoss reserves the right to alter its products without notice. This also applies to products ordered but not delivered provided that such alterations can be made without changes to form, fit or function of the product.

All trademarks in this material are property of Danfoss A/S or Danfoss group companies. Danfoss and the Danfoss logo are trademarks of Danfoss A/S. All rights reserved.