

ENGINEERING  
TOMORROW

*Danfoss*

Application Guide

# Inverter scroll compressors VZH hybrid manifold VZH Gen3+DSH

R410A, R452B, R454B




[cc.danfoss.com](http://cc.danfoss.com)


## **Contents**

<b>Safety and warnings</b>	<b>3</b>
<b>Introduction</b>	<b>4</b>
Product description	4
<b>Dimensions</b>	<b>5</b>
Tandem assemblies	5
<b>Operating envelope data</b>	<b>6</b>
Requirement	6
Operating envelope	6
<b>Mechanical connections</b>	<b>10</b>
Design compressor mounting	10
Design piping	13
<b>Application</b>	<b>17</b>
Manage superheat	17
Manage off-cycle migration	18
Manage speed limit	19
Manage oil in the circuit	20
Assembly line procedure	24
<b>Ordering</b>	<b>26</b>
Compressor ordering codes	26
Accessory ordering codes	26
<b>Accessories and Spare parts</b>	<b>27</b>
Suction separator	27
Tandem accessory kit	27
Oil level sensor	27
Connector for oil level sensor	28
Crankcase Heater	28
<b>Annex</b>	<b>30</b>
1. Oil Management logic	30
2. Oil management description	30
<b>Online support</b>	<b>35</b>

## Safety and warnings

Danfoss scroll compressors are designed and manufactured with state of the art technology and follow European and US regulations. There is an added emphasis placed on safety and reliability. Critical instructions are highlighted with the following icons:

 This icon indicates instructions to avoid safety risk.

 This icon indicates instructions to avoid reliability risk.

The purpose of this guideline is informational, with the intent to educate customers as to how the compressors should properly function. If you need any additional assistance, please contact Danfoss Technical Support. In any case, Danfoss manufacturing accepts no liability as a result of misuse or improper integration of the compressor unit.

## Introduction

### **Product description**

The application guideline describes the operating characteristics, design features and application requirements for hybrid manifolding of the Danfoss DSH fixed-speed compressor and the VZH inverter compressor in air-conditioning and heat pump applications.

To ensure proper parallel installation and running conditions, the following recommendations must be followed:

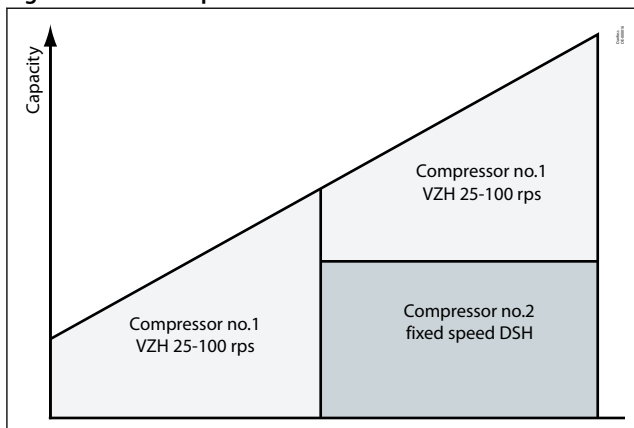
- It is essential to respect all the instructions given in these guidelines; please refer to the instruction leaflet supplied with each compressor and the application guidelines for single compressors.
- For additional system components related to specific application requirements, the supplier recommendations must always be respected.

### **Benefits**

A parallel compressor installation refers to a system of interconnected compressors with a common suction line and a common discharge line. The technique of mounting compressors in parallel is also called manifolding. The hybrid manifolding in this application guideline refers to the manifolding of the Danfoss inverter compressor (VZH) and fixed speed compressor (DSH), which has several benefits.

The main reason is to reduce operating cost through controlling capacity and power consumption to a greater extent. This is achieved by both staggering the compressor switch-on sequences and regulating the speed of the inverter compressor which allows the parallel system to continuously match its power with the capacity needed.

**Figure 1: Variable speed benefits**



A second reason for manifolding the inverter compressor and the fixed speed compressor is improved part-load efficiency. In the variable speed+fixed speed parallel installation, the system can run either only the inverter compressor at lower load or both the inverter and fixed speed compressors at a higher load with the fixed speed compressor operating at 100% load.

Therefore, it will be possible to achieve a higher part-load efficiency. Thirdly, the capacity of the hybrid manifolding system can be widely regulated, for example 10% to 100%. The continuous capacity regulation allows for accurate temperature control and a comfortable indoor environment.

**Dimensions**

**Tandem assemblies**

Figure 2: Outline drawing number 1

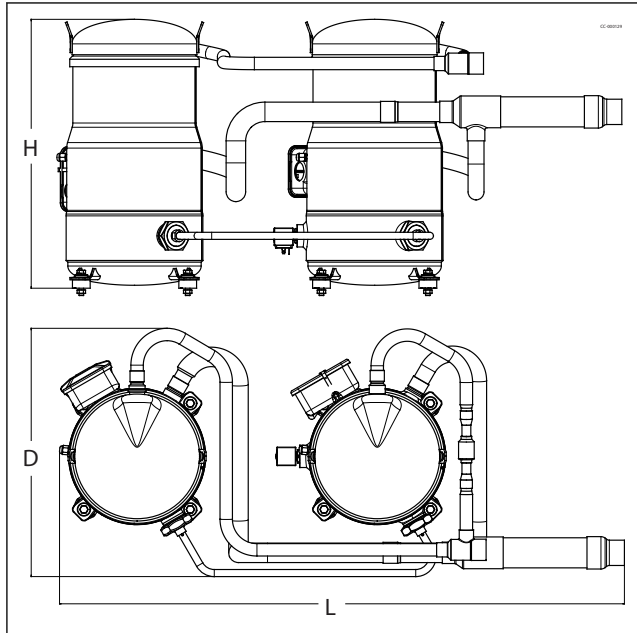


Figure 3: Outline drawing number 2

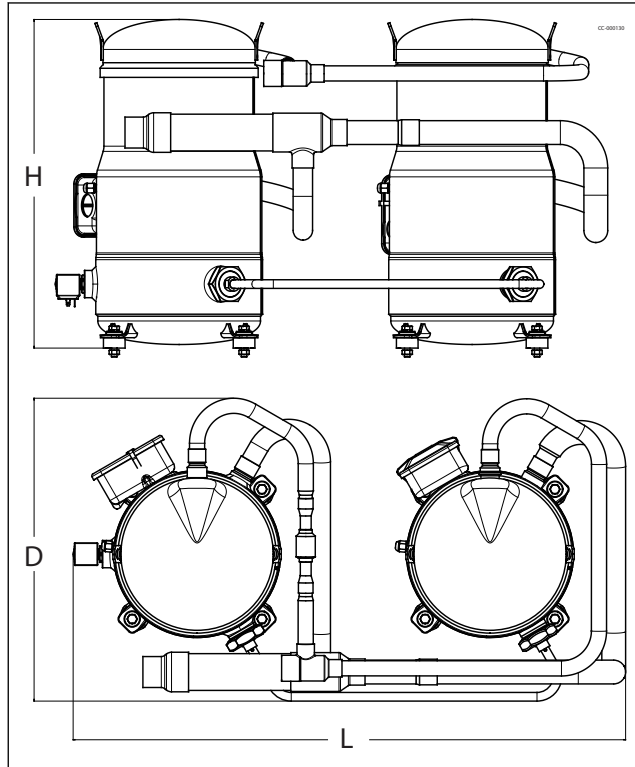


Table 1: Tandem

Tandem model	Composition	Outline drawing number		Suction	Discharge	L (mm)	D (mm)	H (mm)
VZH178H	VZH088+DSH090	1	8560202	1" 5/8	1" 3/8	1011	445	482
		2	8560201	1" 5/8	1" 3/8	811	445	482
VZH208H	VZH088+DSH120	1	8560200	1" 5/8	1" 3/8	1011	445	540
		2	8560199	1" 5/8	1" 3/8	811	445	540
VZH257H	VZH117+DSH140	1	8560198	1" 5/8	1" 3/8	1024	445	540
		2	8560197	1" 5/8	1" 3/8	811	445	540
VZH278H	VZH117+DSH161	1	8560198	1" 5/8	1" 3/8	1024	445	540
		2	8560197	1" 5/8	1" 3/8	811	445	540
VZH301H	VZH117+DSH184	1	8560196	1" 5/8	1" 3/8	1116	445	555
		2	8560195	1" 5/8	1" 3/8	811	445	555
VZH354H	VZH170+DSH184	1	8560194	2" 1/8	1" 5/8	1241	583	682
		2	8560193	2" 1/8	1" 5/8	890	583	682
VZH410H	VZH170+DSH240	1	8556326	2" 1/8	1" 5/8	1245	583	682
		2	8556325	2" 1/8	1" 5/8	953	583	682
VZH465H	VZH170+DSH295	1	8556326	2" 1/8	1" 5/8	1245	583	682
		2	8556325	2" 1/8	1" 5/8	953	583	682

**NOTE:**

Tandem configurations are achieved by assembling individual compressors

**Operating envelope data**

**Requirement**

The operating envelope for hybrid manifolding is shown below, and guarantees reliable operation of the compressor for steady-state operation. The steady-state operation envelope is valid for a suction superheat of between 5K and 30K.

**Operating envelope**

Figure 4: VZH178H (R410A,R452B,R454B) - SH5K

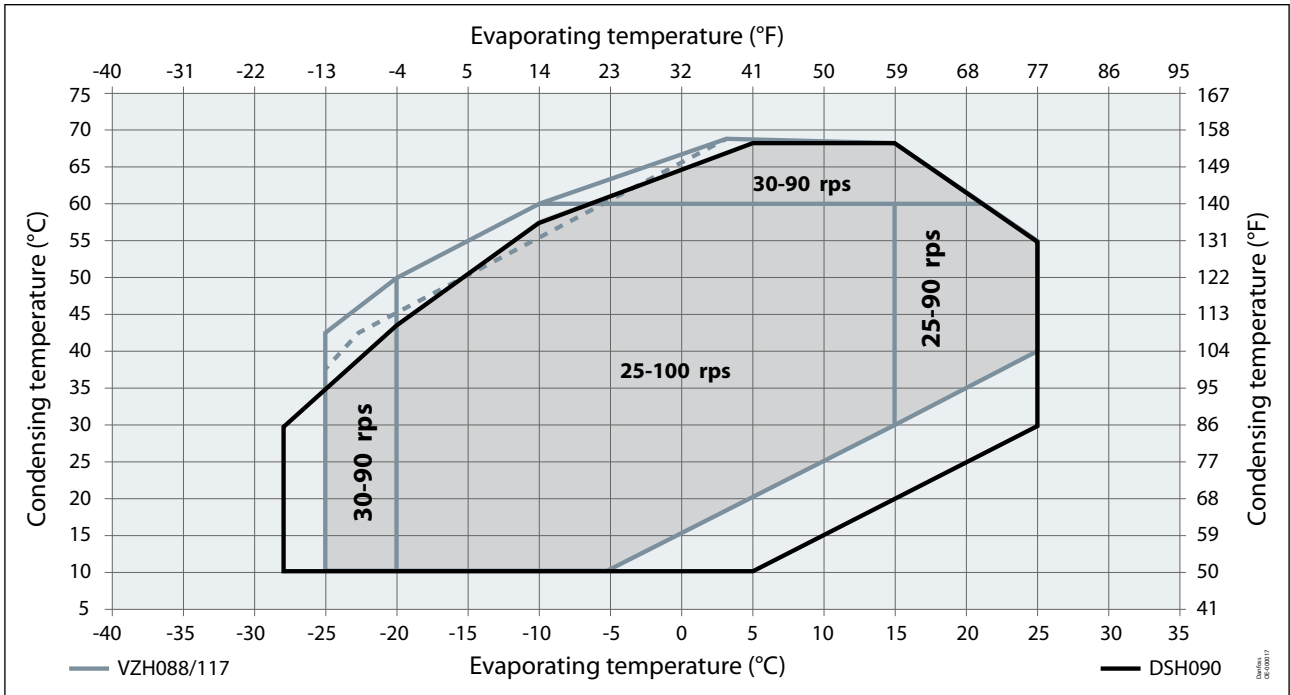


Figure 5: VZH208H/257H/278H/301H (R410A,R452B,R454B) - SH5K

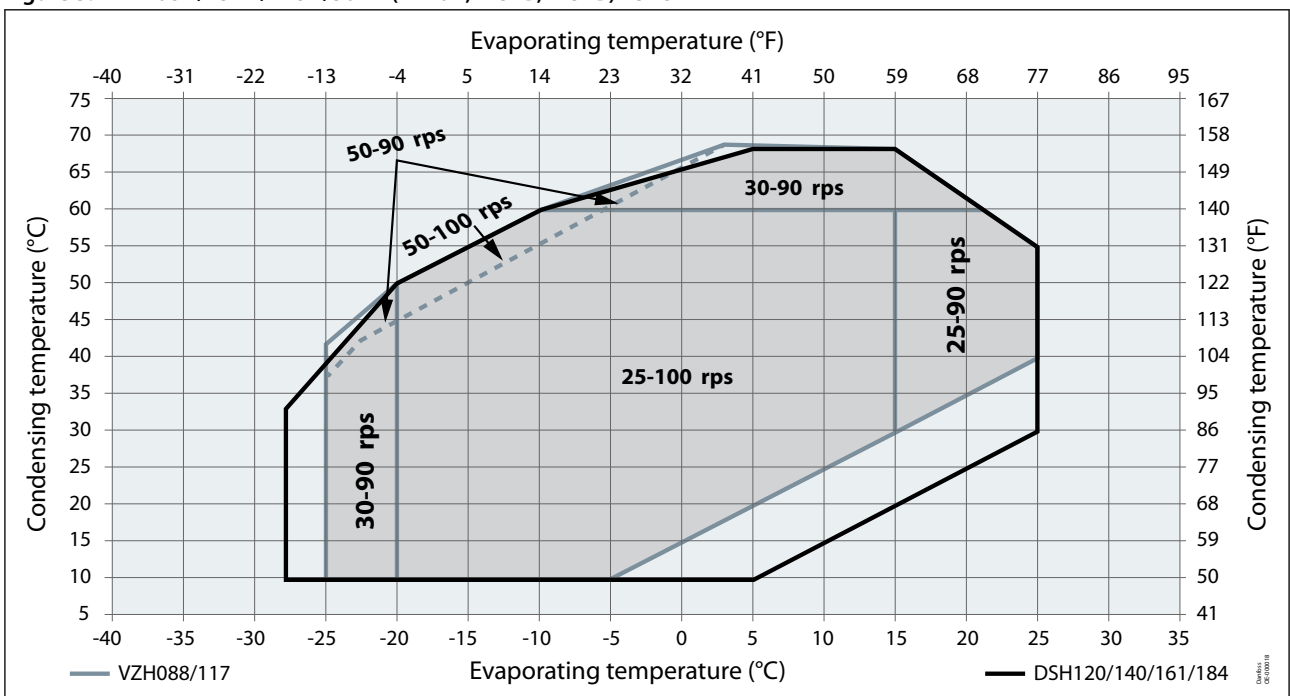


Figure 6: VZH354H (R410A) - SH5K

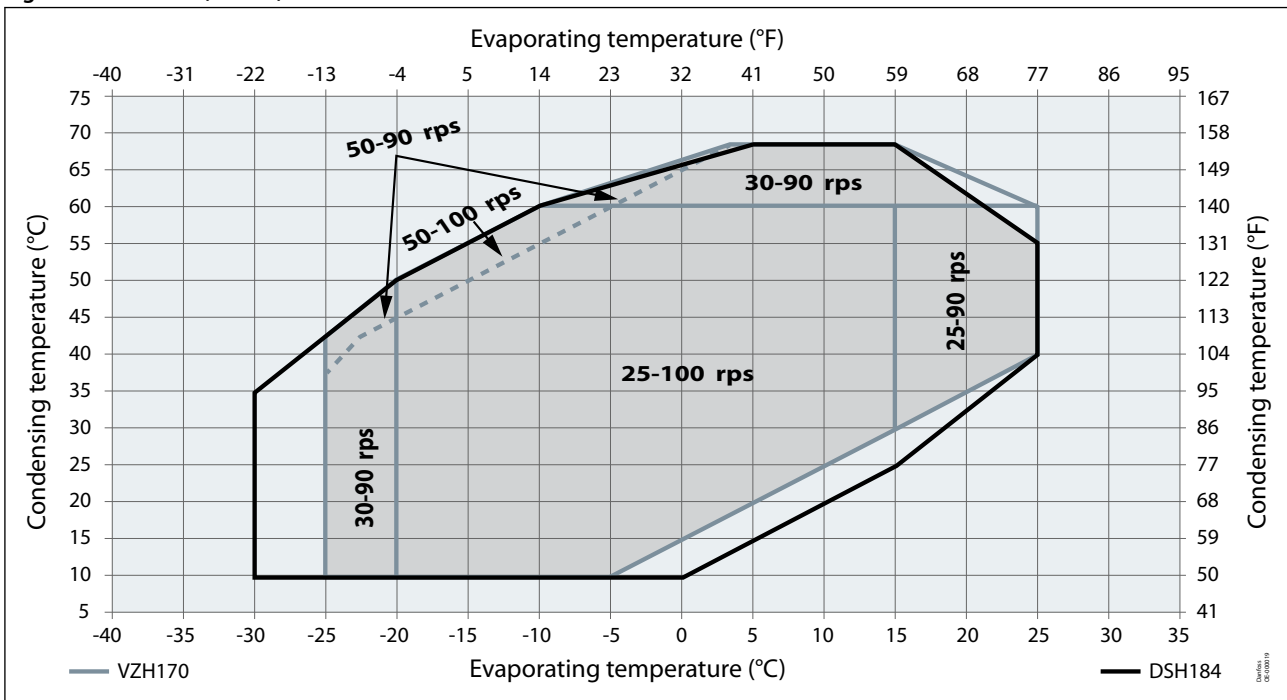


Figure 7: VZH410/465H (R410A) - SH5K

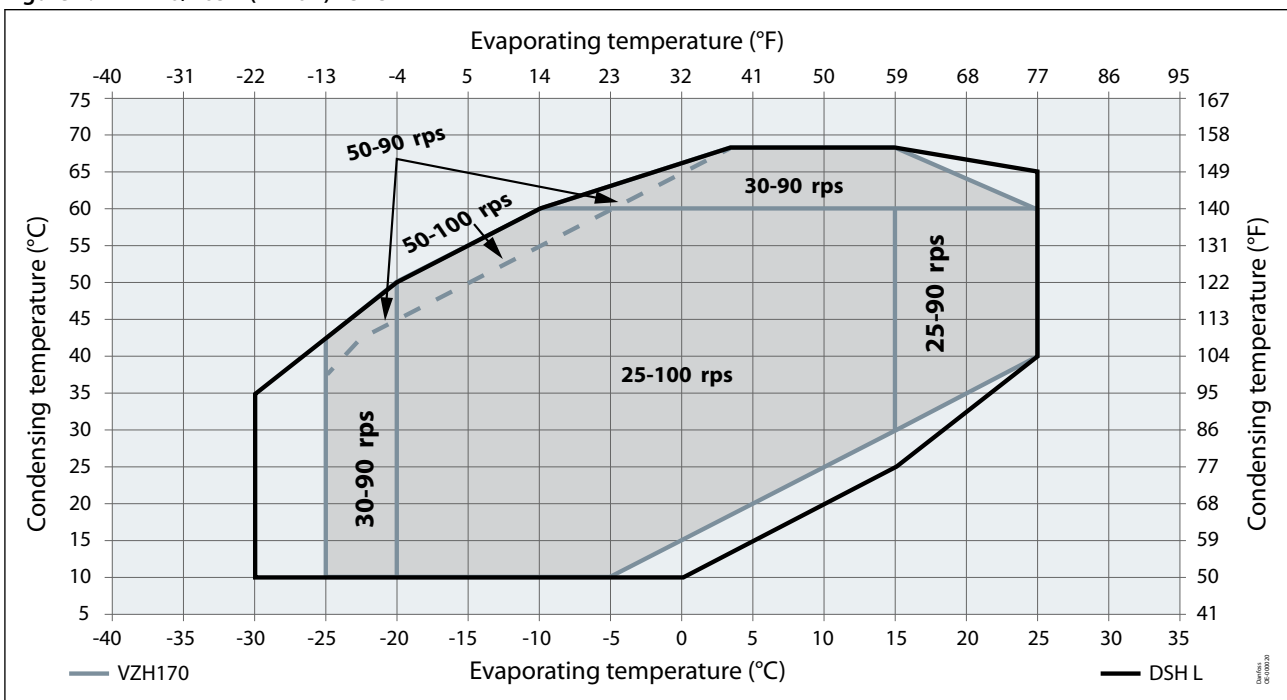


Figure 8: VZH354H (R452B, R454B) -SH5K

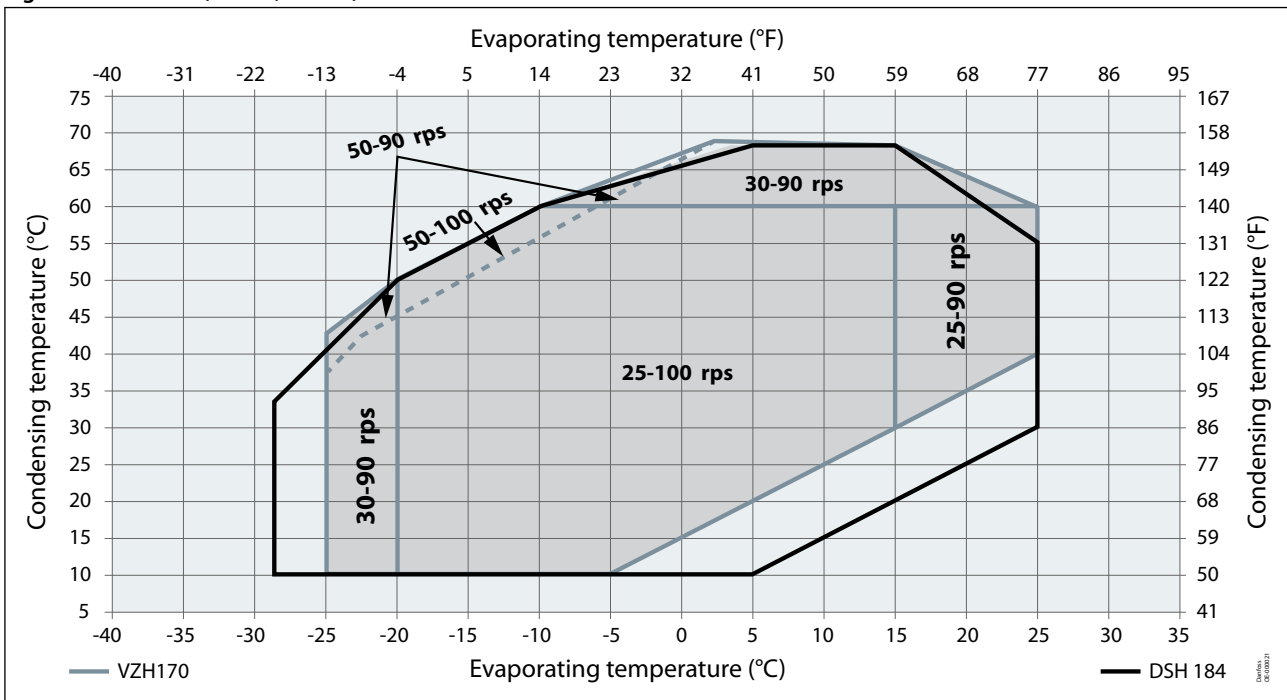
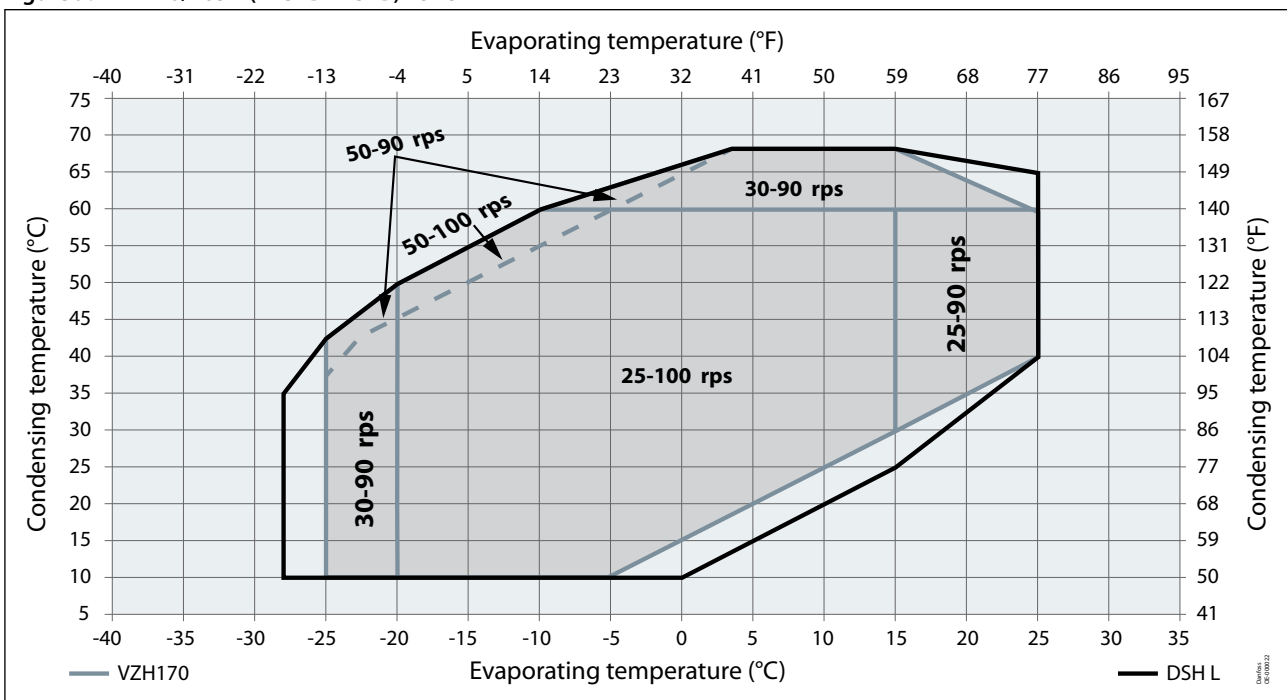


Figure 9: VZH410/465H (R452B R454B) - SH5K



**NOTE:**

For VZH088/117 with R410A/R452B/R454B and VZH170 with R410A, the solid line envelope is valid for a suction superheat within 5K at nominal voltage. Higher suction superheat may lead to discharge temperatures above 135°C (269°F).

For VZH170 with R452B/R454B, the solid line envelope is valid for a suction superheat within 5K at nominal voltage. Higher suction superheat may lead to discharge temperatures above 150°C (302°F).

For superheat between 5K and 11K, this top left envelope might be reduced by condensing temperature of 1°C or 2°C in order to keep discharge T° below 135°C (269°F) for R410A, for R452B/454B in order to keep Td <150°C (302°F). For superheat above 11K, the envelop will further be reduced based on 135°C discharge temperature restriction for R410A for R452B/454B map reduced based on 150°C discharge temperature restriction.



## Pressure settings

**Table 2: Pressure settings**

Pressure settings	R410A		R452B/R454B	
	bar (g)	psi (g)	bar (g)	psi (g)
Working pressure range low side	2.3~15.7	33~228	2.1~14.4	30~209
Maximum high pressure safety switch setting	46.1	669	43.1	625
Minimum low pressure safety switch setting	2.1	30.5	1.9	28
Recommended pump-down switch settings	1.5 bar below nominal evaporating pressure	22 psi below nominal evaporating pressure	1.5 barg below nominal evaporating pressure	22 psi below nominal evaporating pressure
Pump down cut-out pressure	2.3	33	2.1	30

**Mechanical connections**

**Design compressor mounting**

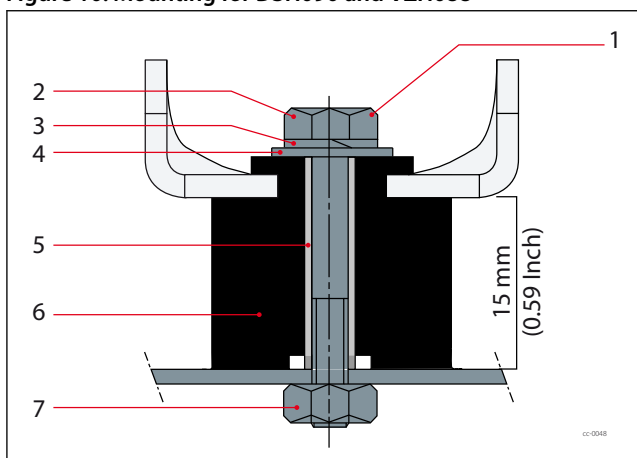
**General requirements**

The tandem is fixed to the frame using the flexible grommets that are supplied with the compressor or which are included in the accessory kit.

**VZH178H Mounting feet**

The compressors are fixed to the frame using rubber grommets, mounting sleeves, and washers (supplied with the compressors).

**Figure 10: Mounting for DSH090 and VZH088**



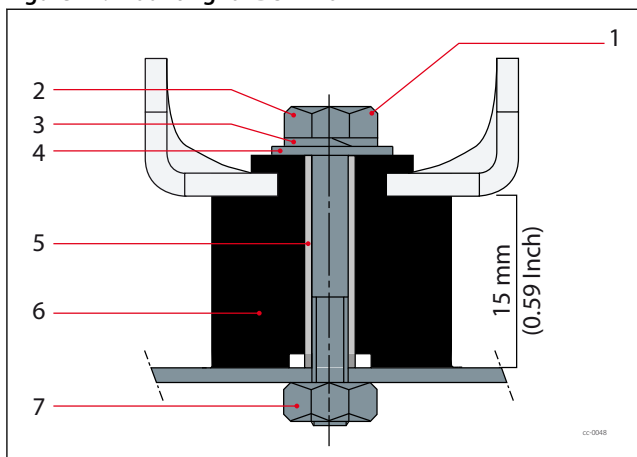
1	Tightening torque 15 Nm
2	HM 8 bolt
3	Lock washer
4	Flat washer
5	Steel mounting sleeve
6	Rubber grommet
7	Nut

**VZH208H Mounting feet**

The compressors are fixed to the frame using rubber grommets, mounting sleeves, and washers (supplied with the compressors).

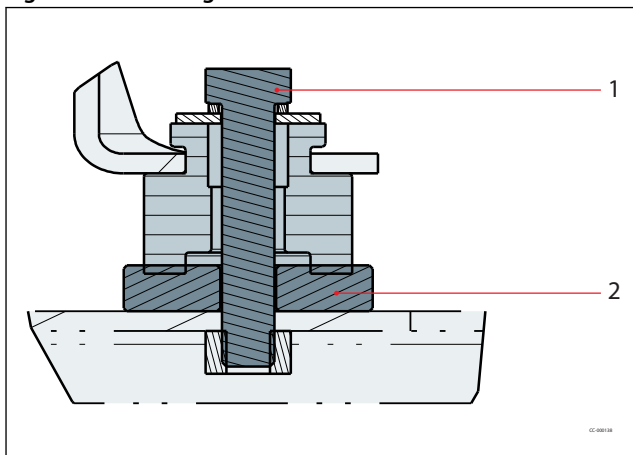
Because VZH088 is 7 mm smaller than DSH120, in order to ensure that the oil equalization connection is at the same level for both compressors, an additional 7mm rigid spacer must be added under VZH088 (see drawing. The 7 mm rigid spacer is supplied with the tandem accessory kit).

**Figure 11: Mounting for DSH120**



1	Tightening torque 15 Nm
2	HM 8 bolt
3	Lock washer
4	Flat washer
5	Steel mounting sleeve
6	Rubber grommet
7	Nut

Figure 12: Mounting for VZH088

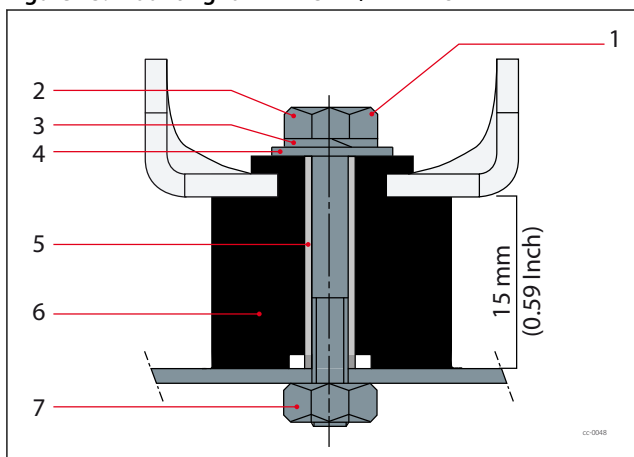


1	Tightening torque 15 Nm
2	Rigid spacer

### VZH257H / VZH278H Mounting feet

The compressors are fixed to the frame using rubber grommets, mounting sleeves, and washers (supplied with the compressors).

Figure 13: Mounting for VZH257H / VZH278H



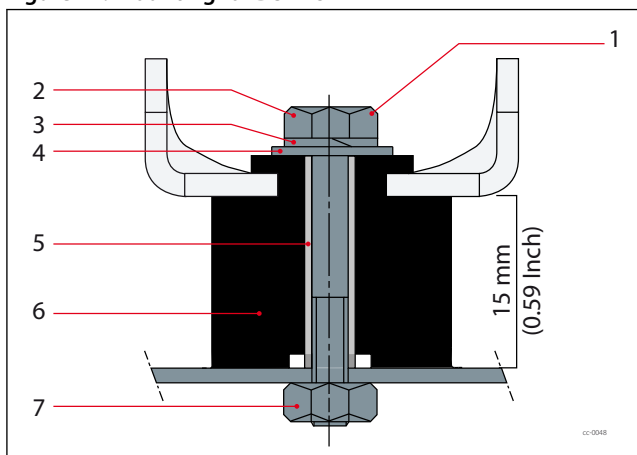
1	Tightening torque 15 Nm
2	HM 8 bolt
3	Lock washer
4	Flat washer
5	Steel mounting sleeve
6	Rubber grommet
7	Nut

### VZH301H Mounting feet

The compressors are fixed to the frame using rubber grommets, mounting sleeves, and washers (supplied with the compressors).

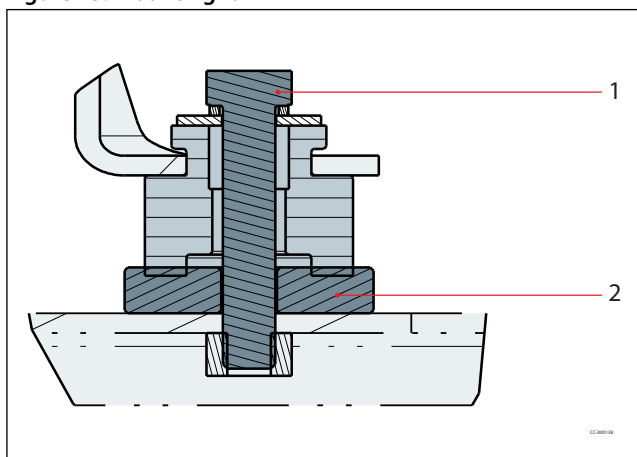
Because VZH117 is 7 mm smaller than DSH184, in order to ensure that the oil equalization connection is at the same level for both compressors, an additional 7mm rigid spacer must be added under VZH117 (see drawing. The 7 mm rigid spacer is supplied with the tandem accessory kit).

Figure 14: Mounting for DSH184



1	Tightening torque 15 Nm
2	HM 8 bolt
3	Lock washer
4	Flat washer
5	Steel mounting sleeve
6	Rubber grommet
7	Nut

Figure 15: Mounting for VZH117

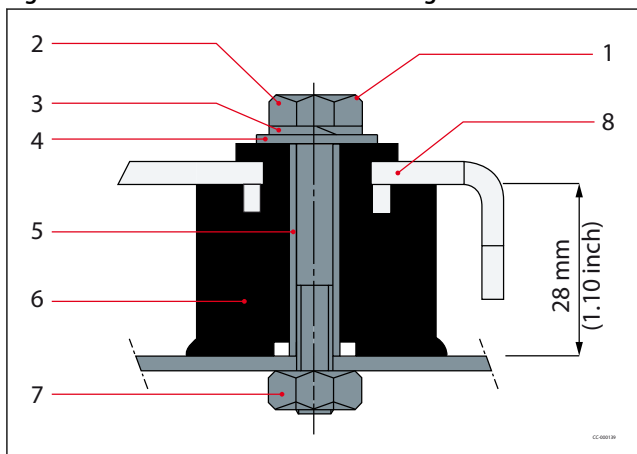


1	Tightening torque 15 Nm
2	Rigid spacer

### VZH410H / VZH465H Mounting feet

The compressors are fixed to the frame using rubber grommets, mounting sleeves, and washers. The VZH mounting kits are supplied with the VZH compressor, and DSH mounting kits are included in the tandem accessory kit.

Figure 16: VZH410H / VZH465H Mounting feet



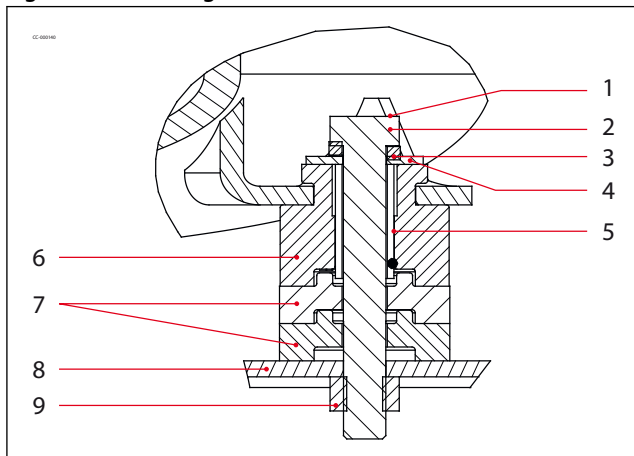
1	Tightening torque 21Nm
2	HM 8 bolt
3	Lock washer
4	Flat washer
5	Steel mounting sleeve
6	Rubber grommet
7	Nut
8	Compressor base plate

### VZH354H Mounting kit

The compressors are fixed on the frame using rubber grommets, mounting sleeves, washers (delivered with the compressors).

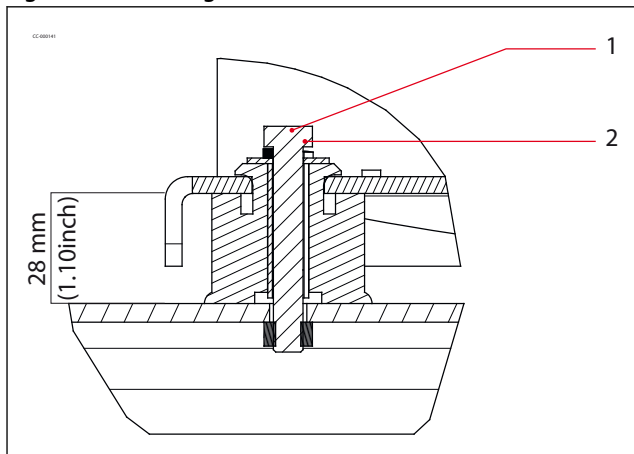
Because DSH184 is 14mm smaller than VZH170, in order to have oil equalization connection at the same level for both compressors, two additional 7mm rigid spacers must be added under DSH184 (See below drawing, two 7mm rigid spacers are provided in Tandem accessory kit).

Figure 17: Mounting for DSH184



1	Tightening torque 15Nm
2	HM8 bolt
3	Lock washer
4	Flat washer
5	Steel mounting sleeve
6	Rubber grommet
7	Rigid spacers
8	Base plate, frame, etc. with enough rigidity
9	Nut

Figure 18: Mounting for VZH170



1	Tightening torque 21Nm
2	HM8 bolt

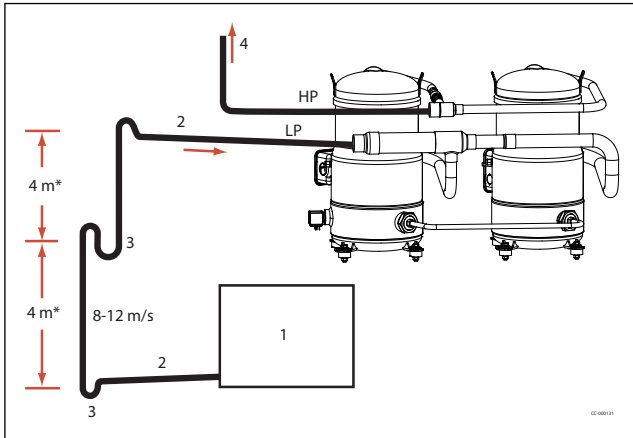
## Design piping

### General requirements

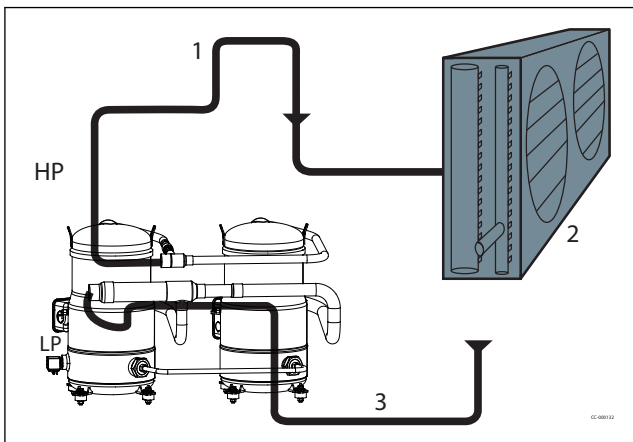
Proper piping practices should be employed to:

- Ensure adequate oil return, even under minimum load conditions (fixed speed compressor off, variable speed compressor at minimum speed, minimum evaporating conditions). If minimum refrigerant velocity cannot be reached, it is strongly recommended that an oil separator is used. For a validation test, see section “Manage oil in the circuit”.
- Prevent condensed liquid refrigerant from draining back into the compressor when stopped (discharge piping upper loop). For validation tests, see the section “Manage off-cycle migration”.

General recommendations are described in the figures below:



- 1 Evaporator
- 2 0.5% slope 4 m/s or more
- 3 U trap, as short as possible
- 4 To condenser
- \* Maximum

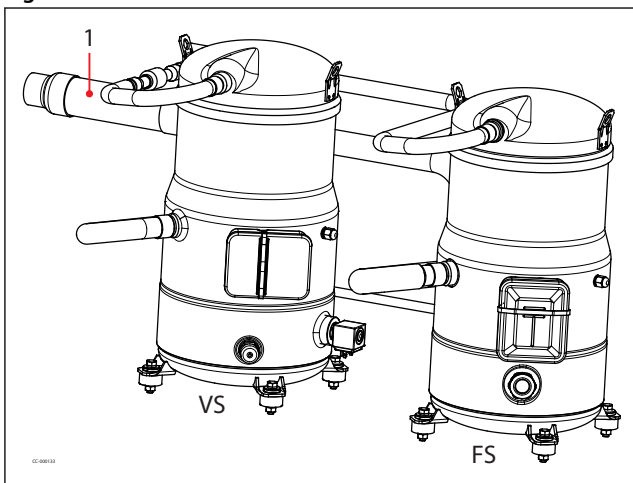


- 1 Upper loop
- 2 Condenser
- 3 3D flexibility

• Piping should be designed with adequate three-dimensional flexibility to avoid excess vibration. It should not be in contact with the surrounding structure, unless a proper tubing mount has been installed. For more information on noise and vibration, see the section “Sound and vibration data” in the application guideline for Danfoss VZH Gen3 scroll compressors (AB300034185311en).

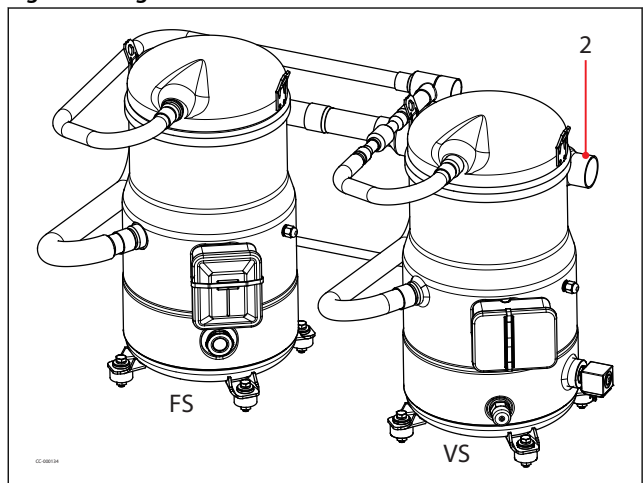
**Tandem assembly**

Figure 19: Left suction



- 1 Suction on Left
- 2 Suction on Right

Figure 20: Right suction



- FS Fixed speed
- VS Variable speed

**Table 3: Tandem assembly**

Fixed speed + Variable speed	Tandem model	Suction direction	Hz of FS compressor	Suction separator code	Tandem accessory kit code
DSH090 + VZH088	VZH178H	Left/Right	50	120Z0869	120Z0809 (with 24V oil level sensor) 120Z0810 (with 230V oil level sensor)
			60	120Z0868	120Z0809 (with 24V oil level sensor) 120Z0810 (with 230V oil level sensor)
DSH120 + VZH088	VZH208H	Left/Right	50	120Z0867	120Z0807 (with 24V oil level sensor) 120Z0808 (with 230V oil level sensor)
			60	120Z0866	120Z0807 (with 24V oil level sensor) 120Z0808 (with 230V oil level sensor)
DSH140 + VZH117	VZH257H	Left/Right	50	120Z0863	120Z0809 (with 24V oil level sensor) 120Z0810 (with 230V oil level sensor)
			60	120Z0864	120Z0809 (with 24V oil level sensor) 120Z0810 (with 230V oil level sensor)
DSH161 + VZH117	VZH278H	Left/Right	50	120Z0864	120Z0809 (with 24V oil level sensor) 120Z0810 (with 230V oil level sensor)
			60	120Z0865	120Z0809 (with 24V oil level sensor) 120Z0810 (with 230V oil level sensor)
DSH184 + VZH117	VZH301H	Left/Right	50 & 60	120Z0862	120Z0807 (with 24V oil level sensor) 120Z0808 (with 230V oil level sensor)
					120Z0811 (with 24V oil level sensor) 120Z0812 (with 230V oil level sensor)
DSH184 + VZH170	VZH354H	Left	50	120Z0860	120Z0811 (with 24V oil level sensor) 120Z0812 (with 230V oil level sensor)
			60	120Z0858	120Z0811 (with 24V oil level sensor) 120Z0812 (with 230V oil level sensor)
		Right	50	120Z0861	120Z0811 (with 24V oil level sensor) 120Z0812 (with 230V oil level sensor)
			60	120Z0861	120Z0811 (with 24V oil level sensor) 120Z0812 (with 230V oil level sensor)
DSH240 + VZH170	VZH410H	Left/Right	50 & 60	120Z0859	120Z0805 (with 24V oil level sensor) 120Z0806 (with 230V oil level sensor)
DSH295 + VZH170	VZH465H	Left/Right	50 & 60	120Z0858	120Z0805 (with 24V oil level sensor) 120Z0806 (with 230V oil level sensor)

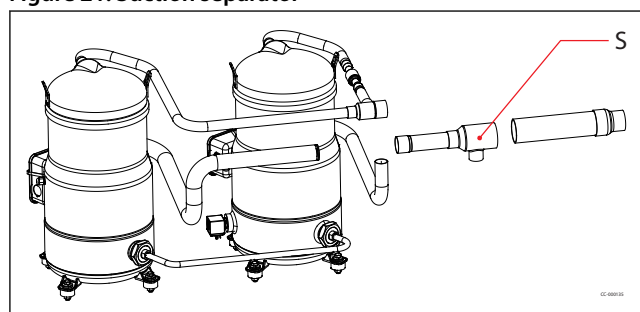
**NOTE:**

The tandem accessory includes oil equalization kits and oil level sensor. For compressors that need a UL certificate, please order the accessory kit with the 24V oil level sensor.

### Suction separator

The suction connections of the two individual compressors are interconnected by a suction separator, which is supplied as an accessory.

**Figure 21: Suction separator**



**S** Suction separator

### Oil equalization design

The two compressors are connected by a 1/2" or 3/4" oil equalization pipe. To fix the oil equalization connection rotolock, use the adaptor sleeves and the seal gasket which were included in the tandem accessory kit.

Figure 22: (DSH184 oil equalization line)

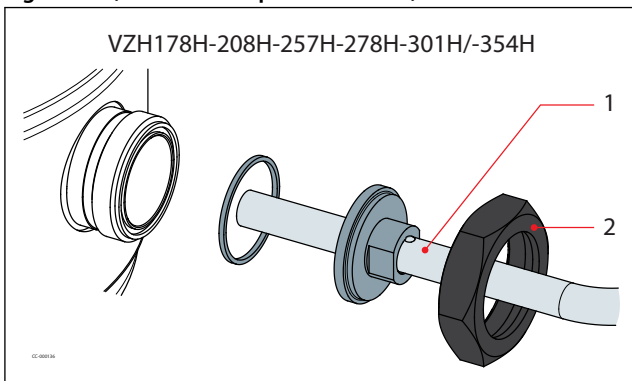
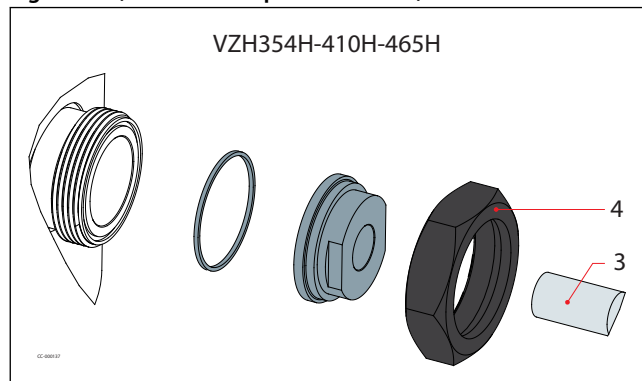
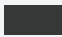

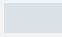


Figure 23: (VZH170 oil equalization line)



1	1/2"		Supplied with the compressor
2	Tightening torque 100NM		Included in tandem kit
3	3/4"		Not supplied
4	Tightening torque 145Nm		



## Application

### Manage superheat

During normal operation, refrigerant enters the compressor as a superheated vapour. Liquid flood back occurs when some of the refrigerant entering the compressor is still in a liquid state.

Liquid flood back can cause oil dilution and, in extreme situations, lead to liquid slugging that can damage compression parts.

### Requirement

In the steady-state condition, the expansion device must ensure a suction superheat of between 5k and 30k.

### System evaluation

Table 4: System evaluation

Basic unit single exchanger as evaporator and condenser	Advance unit Multiple exchangers as evaporator or condenser (heat-recovery, exchanger, four-pipe chiller...)	Non-reversible	Reversible	Suction accumulator	Test
X		X		Optional	Pass liquid flood back test
X		-	X	Recommended	Pass liquid flood back test Pass defrost test
	X	X		Mandatory	Pass liquid flood back test
	X		X	Mandatory	Pass liquid flood back test Pass defrost test

### Test, criteria and solutions

Table 5: Test, criteria and solutions

Test No	Purpose	Test condition	Pass criteria	Solutions
Liquid flood back test	Steady-state	Liquid flood back testing must be carried out under expansion valve threshold operating conditions: Variable speed On at min.speed / fixed speed Off Running conditions corresponding to the lowest foreseeable evaporation, and highest foreseeable condensation In case of reversible system, the test must be done in both cooling and heating mode If advanced unit, test in all possible configurations	Suction superheat >5k	<ol style="list-style-type: none"> <li>1. Check expansion valve selection and setting (EXV) check measurement chain and PID.</li> <li>2. Add a suction accumulator<sup>(1)</sup></li> </ol>
	Transient	Tests must be carried out in the most unfavorable conditions: <ul style="list-style-type: none"> <li>• fan staging</li> <li>• compressor ramping up and down</li> </ul>	The oil superheat must not be more than 60 sec below the safe limit defined in the dilution chart (see graph below)	
Defrost test	Check liquid flood back during defrost cycle	The defrost test must be carried out in the most unfavorable conditions (at 0°C evaporating temperature)	The oil superheat must not be more than 60 sec below the safe limit defined in the dilution chart (see graph below)	<ol style="list-style-type: none"> <li>1. In reversible systems, the defrost logic can be worked out to limit the liquid flood back effect. (For more details see "Control logic")</li> <li>2. Add a suction accumulator<sup>(1)</sup></li> </ol>

<sup>(1)</sup> A suction accumulator offers protection by trapping the liquid refrigerant upstream from the compressor. The accumulator should be sized at least 50% of the total system charge. The suction accumulator dimensions can impact oil return (gas velocity, oil return, hole size etc.), and therefore the oil return has to be checked according to the "Manage oil in the circuit" section.

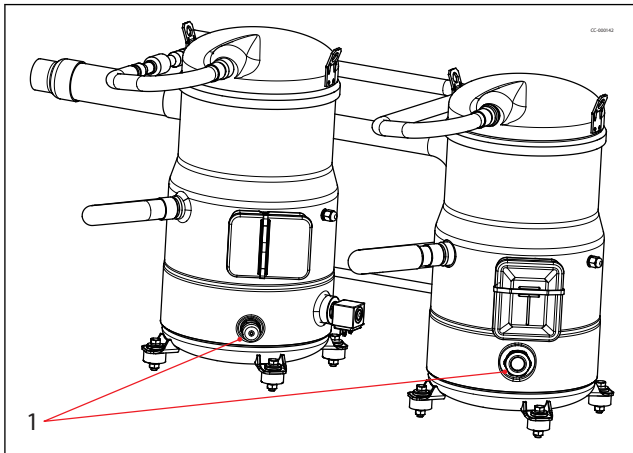
### Placing oil temperature sensor

The oil temperature sensor must be placed between the oil sight glass and the compressor baseplate for fixed speed compressor, and beside the oil level sensor for the variable speed compressor.

Use a little thermal paste to improve conductivity. The sensor must also be thermally insulated correctly from the ambience.

Oil superheat is defined as: (Oil temperature - Evaporating temperature)

Figure 24: Placing oil temperature sensor



1 Position to place Oil temperature sensor

For sump superheat requirement refer to single VZH series and DSH series compressor application guideline. VZH application guideline: [AB372721754643](#) DSH application guideline: [AB288965961751](#)

**Manage off-cycle migration**

Off-cycle refrigerant migration happens:

- when the compressor is located at the coldest part of the installation, and refrigerant vapour then condenses in the compressor, or
- directly in the liquid phase as the result of gravity. When the compressor starts running again, the refrigerant diluted in the oil generates poor lubrication conditions. In extreme situations, this leads to liquid slugging that can damage compressor parts.

**Requirement**

The amount of liquid refrigerant in the compressors must not exceed the charge limit.

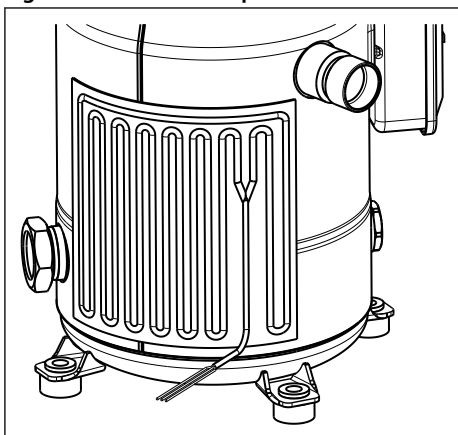
**System evaluation**

Table 6: System evaluation

Non split	Split	Below charge limit	Above charge limit	Surface sump heater	Non-return valve	Liquid line solenoid valve	Pump-down cycle
x		x		Optional	Mandatory	Mandatory	Optional
x			x	Mandatory	Mandatory	Mandatory	Recommended
	x	-	-	Mandatory	Mandatory	Mandatory	Recommended

**Surface Sump heater**

Figure 25: Surface Sump heater



The surface sump heaters are designed to protect the compressor against off-cycle migration of refrigerant.

Additional heater power or thermal insulation is needed in case the ambient temperature falls below -5°C and the wind speed is above 5 m/sec. The heater must be turned on whenever all the compressors are off.

Surface sump heater accessories are available from Danfoss (see section Accessories).

### Liquid line solenoid valve (LLSV)

An Liquid line solenoid valve(LLSV) is used to isolate the liquid charge on the condenser side, thereby preventing refrigerant being transferred to the compressor during off-cycles. The electronic expansion valve that closes automatically including in power shut down situation can replace the LLSV. The quantity of refrigerant on the low-pressure side of the system can be further reduced by using a pump-down cycle in association with the LLSV.

### Pump-down cycle


By decreasing pressure in the sump, pump down system:

- evacuates refrigerant from oil
- set the sump saturating pressure much lower than ambience temperature and due to that, avoid refrigerant condensation in the compressor.

Pump-down must be set higher than 2.3 bar(g). For more details on pump-down cycle see section Control logic.

“One shot pump down” should be used: when the last compressor of the circuit stops, suction pressure is decreased down to cut-out pressure. Even if suction pressure increases again, the compressor will not restart.

### Non return valve

 Non-return valve at discharge prevents from liquid or gas migration. Selection of non-return valve is a trade-off between pressure dropping at high speed, and the state of the valve stability while at low speed.

See Section Prevent off cycle migration §Test and components required per application to know when to use non return valve

The following table displays present Danfoss non-return valve selection per each specific compressor.

DSH are with internal NRV, no need external NRV.

**Table 7: Non return valve**

Compressor model	NRV model
VZH088	NRV 16
VZH117	NRV 19
VZH170	NRV 22

### NOTE:

This Selection is valid for evaporating temperature above -10°C(14°F). Below -10°C (14°F), smaller valve or a limitation of minimum speed may be required to guaranty valve stability,to get help on selection of valve, please contact Danfoss application engineer.

## Refrigerant charge limit

**Table 8: Refrigerant charge limit**

Tandem models	Refrigerant charge limit(kg)
VZH178H/VZH208H	8.00
VZH257H/VZH278H/VZH301H	10.0
VZH354H/VZH410H/VZH465H	15.0

## Manage speed limit

### General requirements

Speed limit guarantees compressor reliability and must be respect. Details refer to single VZH M/L GEN3 guideline“Manage speed limit”

## Manage oil in the circuit

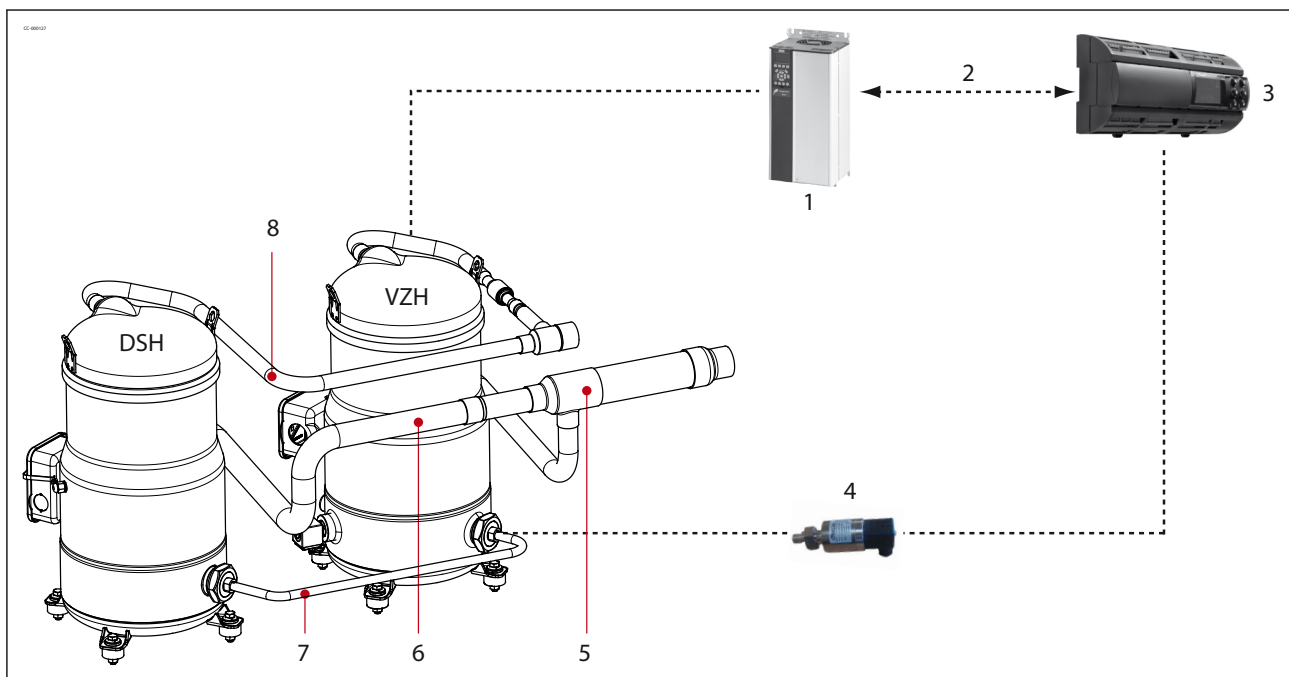
### Oil management concept

#### System configuration

Hybrid manifold systems use the dynamic system for oil balance. The suction connections between the two individual compressors are interconnected by a special suction separator design that allows most of oil feed into variable speed compressors.

An optical-electrical oil level sensor fixed in a variable speed compressor monitors the compressor oil level.

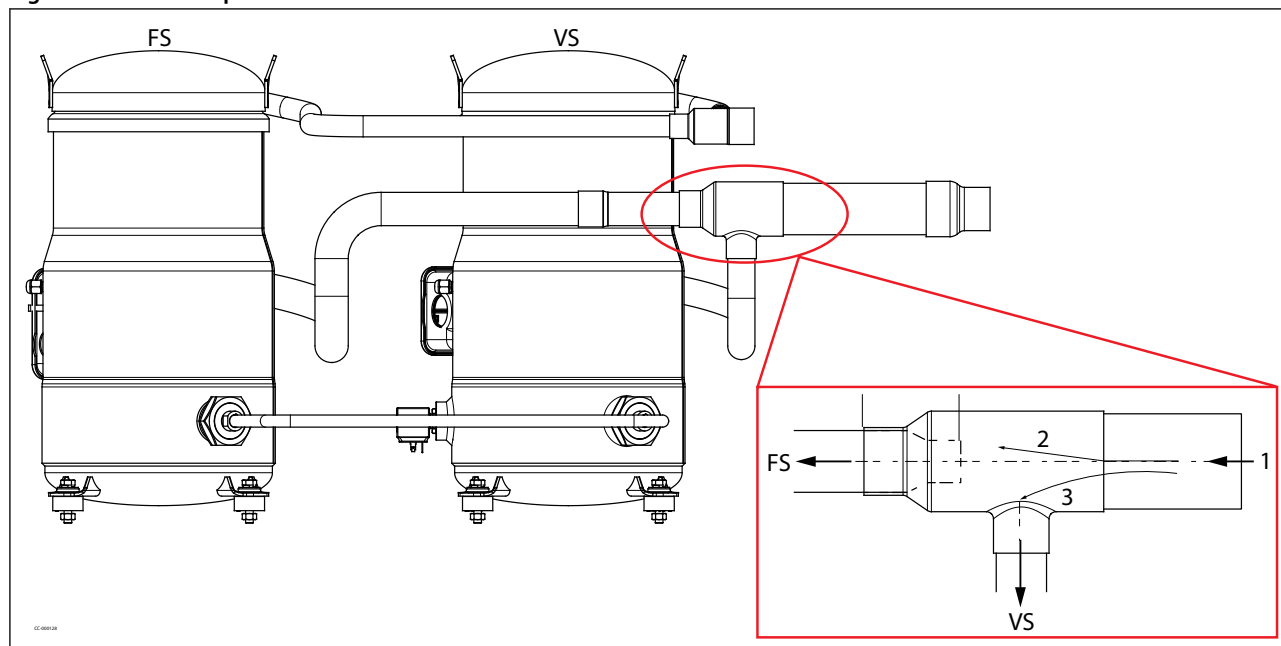
If the oil level drops below the limit, the OEM main controller activates the oil management logic.



1	Drive	5	Suction separator
2	ModBus	6	Suction line
3	OEM main controller	7	Oil equalization tube
4	Optical oil level sensor	8	Discharge line

**Suction separator (Oil separator/gas restrictor)**

Figure 26: Suction separator



<b>FS</b>	Fixed Speed Downstream compressor	<b>1</b>	Return Gas
<b>VS</b>	Variable Speed Upstream compressor	<b>2</b>	Oil poor gas flow
		<b>3</b>	Oil-rich gas flow

The hybrid manifold system uses the dynamic oil balancing system.

The suction connections of the two individual compressors are interconnected by a suction separator that integrates a suction oil separator and a gas restrictor.

The variable speed compressor (VS) is installed in the upstream position (first on suction line) and fixed speed compressor (FS) is installed on downstream position.

The oil which clings back along the main suction line is separated and mainly flow to upstream compressor.

When the variable speed compressor runs below maximum speed, suction separator creates a pressure drop to ensure the sump pressure in the fixed speed compressor is lower than in variable speed compressor. Pressure difference forces the excess oil from the variable speed compressor to flow into the fixed speed compressor sump.

When the variable speed compressor runs at maximum speed sump pressure are balanced

**Approved hybrid tandem configurations and capacity range**

Different configurations of hybrid tandems are possible. All VZH models (high/low pressure ratio/different voltage) could be manifolded with fixed speed compressors.

Danfoss VSD : VZH compressor Drive™ 380-480 Volt

Table 9: Tandem configurations and capacity range for Motor code G

Model	Description	FS: 50Hz, VS:100Hz		FS: 60Hz, VS: 100Hz	
		kW	TR <sup>(1)</sup>	kW	TR <sup>(1)</sup>
VZH178H	VZH088+DSH90	68.9	19.6	73.9	21.0
VZH208H	VZH088+DSH120	77.7	22.1	83.7	23.8
VZH257H	VZH117+DSH140	97.8	27.8	105.2	29.9
VZH278H	VZH117+DSH161	101.6	28.9	110.1	31.3
VZH301H	VZH117+DSH184	106.2	30.2	115.7	32.9

## VZH Hybrid Manifold VZH Gen3+DSH | Application

Model	Description	FS: 50Hz, VS:100Hz		FS: 60Hz, VS: 100Hz	
		kW	TR <sup>(1)</sup>	kW	TR <sup>(1)</sup>
VZH354H	VZH170+DSH184	137	39.1	146	41.9
VZH410H	VZH170+DSH240	151.9	43.2	164.9	46.9
VZH465H	VZH170+DSH295	164.6	46.8	179.3	51.0

<sup>(1)</sup> Ton of Refrigeration

Standard rating conditions: ARI standard, Refrigerant: R410A/R452B/R454B, Evaporating temperature: 7.2°C, Condensing temperature: 54.4°C, Superheat: 11.1k, Subcooling: 8.3k

**NOTE:**

Subject to modification without prior notification

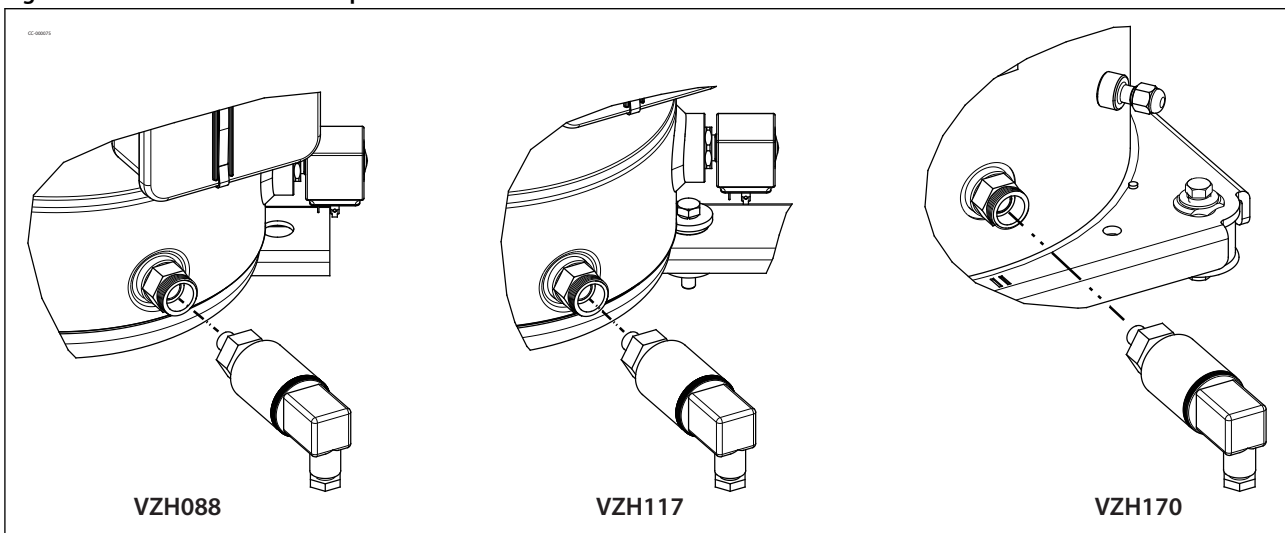


For regular updates and detailed capacities, please refer to [Coolselector®2](#).

### Oil level sensor

Oil level sensor is a special component which assembles on variable speed compressor. The screw-in mechanical part(prism) is already assembled on version"oil level sensor+oil sight glass". The electrical part is provided in oil level sensor accessory kit.

Figure 27: Oil level sensor on compressor



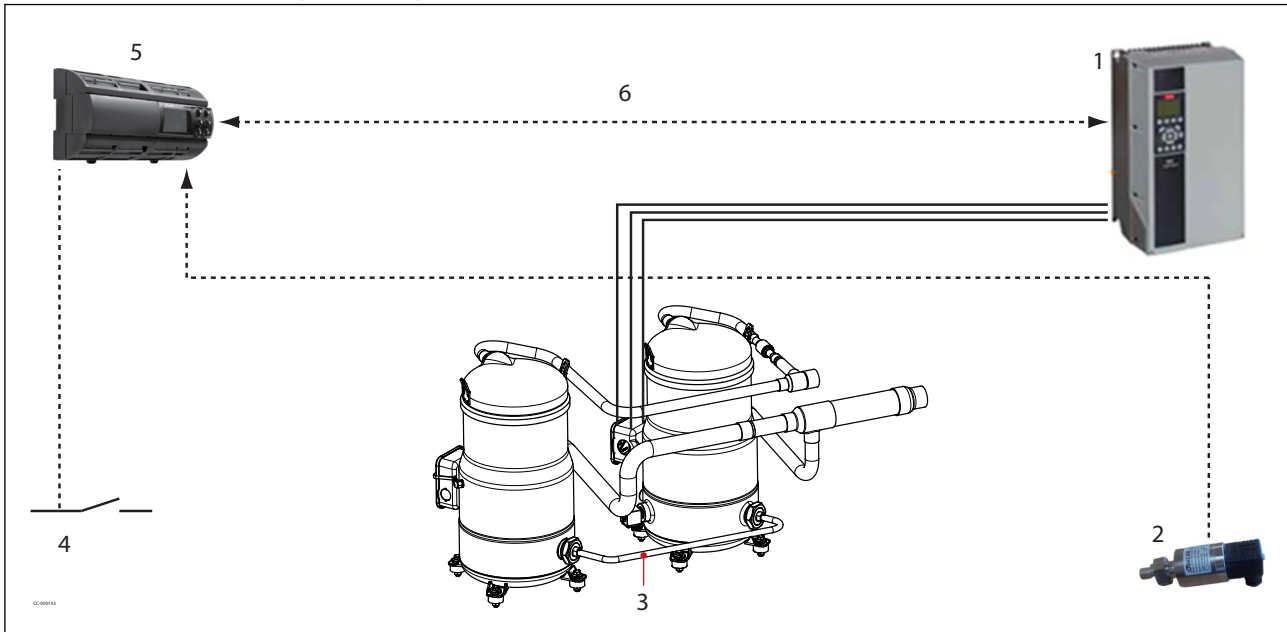
### Oil management system for hybrid manifolding

The oil management system architecture for hybrid manifolding is described below.

An oil equalization tube between the variable speed compressor and the fixed speed compressor is used to maintain the oil balance.

An oil level sensor need to be installed on the variable speed compressor. The oil level sensor monitors the compressor oil level and send oil level signal to OEM main controller. When oil level is below the minimal, OEM controller enter in oil management mode to recover a proper oil level in compressor. If oil level cannot be recovered, controller stop the system.

Figure 28: Oil management system for hybrid manifolding



1	Drive	4	Power supply
2	Optical oil level sensor	5	OEM main controller
3	Oil equalization tube	6	ModBus

### Oil management logic

In order to maintain the proper oil level in the compressors, an oil management control logic needs be implemented in the OEM controller.

The oil management control logic must include three steps.

1. In the case of low oil level detection, an oil balance mode (Variable speed on, Fixed speed off) is activated to recover oil from fixed speed to variable speed.
2. If oil level cannot be recovered in VS compressor, controller go to Oil boost Mode (Variable speed on, Fix Speed on) in order to recover oil trapped in system.
3. If the oil level is still below the limit after a full oil balance action and oil boost action have been completed, the controller must enter in protection mode, and stop the system in alarm.

For more detailed oil management logic, please refer to “Oil management logic” in the annex.

### Requirement

**Fixed speed compressor:** The oil level must be visible or full in the sight glass when the compressor is running and when all the compressors in the circuit are stopped.

**Variable speed compressor:** This compressor is equipped with an oil level switch located at the minimum acceptable level. If the oil level drops below this limit, the controller must follow the oil logic (See “Oil management logic” in the annex).

Fixed speed compressor oil returned status need be monitored in OEM qualification test.

## System evaluation

**Table 10: System evaluation**

Basic unit Single exchanger as evaporator and condenser	Advance unit Multiple exchangers as evaporator or condenser (heat-recovery, exchanger, four-pipe chiller...)	Non-reversible	Reversible	Non-split	Split	Oil separator	Test
X		-	-	X		Optional	Pass tests 1 & 2
	X	-	-	X		Recommended	Pass tests 1 & 2
-	-	-	-	-	X	Mandatory	Pass tests 1, 2 & 3

## Test, criteria and solutions

**Table 11: Test, criteria and solutions**

Test no.	Purpose	Test condition	Pass criteria	Solutions
1	Oil return test under minimum mass flow	<p>Variable speed <b>On</b> at minimum speed / Fixed speed <b>Off</b> Running condition corresponds to lowest foreseeable evaporation, and highest foreseeable condensation on the system Running for 6 hours For a reversible system, perform the test in both heating and cooling modes. If it is an advanced unit, test in all possible configurations</p> <p>Variable speed <b>On</b> at minimum speed / Fixed speed <b>On</b> Running condition corresponding to lowest foreseeable evaporation, and highest foreseeable condensation on the system Running for 6 hours For a reversible system, perform the test in both heating and cooling modes. If it is an advanced unit, test in all possible configurations</p>	<p>Variable speed: No lack of oil alarm No more than two oil boost cycles per hour</p> <p>Variable speed: No lack of oil alarm Fixed speed: Oil visible in sight glass</p>	<p>Look for potential oil trap Increase oil boost duration Top up with oil, generally 4% of the total system refrigerant charge (in weight) Oil separator can be added</p>
2	Check oil management control logic is working	<p>Variable speed On at 50 rps for VZH088-117 or 40 rps for VZH170 / Fixed speed <b>On</b> Running conditions corresponding to the lowest foreseeable evaporation, and the highest foreseeable condensation on the system. Running for 6 hours For a reversible system, perform the test in both heating and cooling modes. If it is an advanced unit, test in all possible configurations</p>	<p>No more than two oil balance cycles per hour Fixed speed: Oil visible in sight glass</p>	<p>Look for potential oil trap Increase oil boost duration Top up with oil, generally 4% of the total system refrigerant charge (in weight). If more than 4% is used, look for a potential oil trap in the system Oil separator can be added</p>
3	Oil return in split system	<p>Since each installation is unique, tests 1 and 2 cannot fully validate the oil return The oil level must be checked and adjusted at commissioning</p>	<p>Fix speed: Oil visible in sight glass No more than two oil balance cycles per hour</p>	<p>The oil separator is mandatory Pay special attention to "Piping design" Top-up with oil, generally 4% of the total system refrigerant charge (in weight). If more than 4% is used, look for a potential oil trap in the system</p>

## Assembly line procedure

The installation and service procedure for a parallel system are similar to basic single-system installations. The selection of additional system components for parallel installations follows the basic system common rules. Please refer to the application guidelines for Danfoss VZH Gen3 scroll compressors (AB372721754643en) for detailed installation and service procedures.

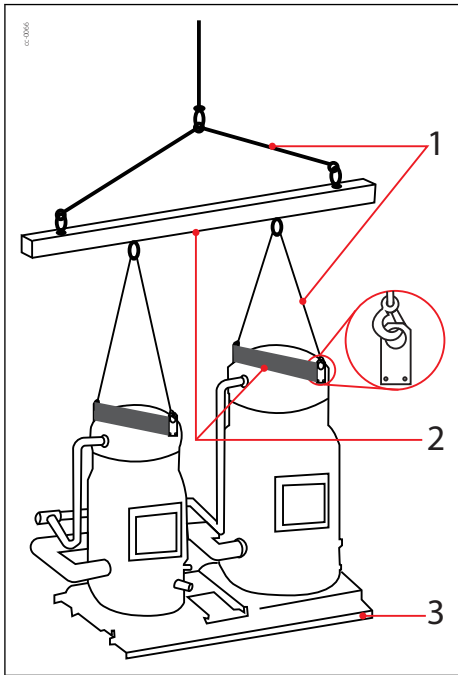
## Handling

Danfoss Commercial Compressors recommends using the lift and handling devices as shown on the right, and that the following procedure be used to prevent damage:

- There are two lifting rings on each compressor. Use all four rings.
- Maximum loads authorized per sling and for the hoist hook must not be lower than the weight of the assembly.
- If the tandem unit is already installed as a complete installation, it must never be lifted using the lifting rings on the compressors.



Figure 29: Handling



1	Slings
2	Spreader bars
3	Frame

## Ordering

To build a complete tandem installation, the customer must order two must order 2 compressors, one suction separator and one tandem accessory kit.

### Compressor ordering codes

Danfoss VZH and DSH scroll compressors can be ordered in either industrial packs or in single packs. Please refer to the single compressor application guideline for compressor ordering information (AB372721754643en for VZH Gen3, AB288965961751en for DSH).

### Accessory ordering codes

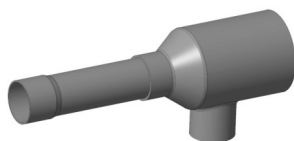
The suction separator and tandem kit can be ordered using the code numbers listed in the table below. The suction separator and the tandem kit selection should be based on compressor model, frequency of fixed speed compressor and oil level switch voltage.

**Table 12: Accessory ordering codes**

Tandem model	Variable speed compressor	Fixed speed compressor	Suction direction	Suction separator			Tandem accessory kit		
				Hz (FS compressor)	Code	Pack size	Voltage of oil level switch	Code	Pack size
VZH178H	VZH088	DSH090	Left/Right	50 Hz	120Z0869	1	24V	120Z0809	1
							230V	120Z0810	1
				60 Hz	120Z0868	1	24V	120Z0809	1
							230V	120Z0810	1
VZH208H	VZH088	DSH120	Left/Right	50 Hz	120Z0867	1	24V	120Z0807	1
							230V	120Z0808	1
				60 Hz	120Z0866	1	24V	120Z0807	1
							230V	120Z0808	1
VZH257H	VZH117	DSH140	Left/Right	50 Hz	120Z0863	1	24V	120Z0809	1
							230V	120Z0810	1
				60 Hz	120Z0864	1	24V	120Z0809	1
							230V	120Z0810	1
VZH278H	VZH117	DSH161	Left/Right	50 Hz	120Z0864	1	24V	120Z0809	1
							230V	120Z0810	1
				60 Hz	120Z0865	1	24V	120Z0809	1
							230V	120Z0810	1
VZH301H	VZH117	DSH184	Left/Right	50 Hz	120Z0862	1	24V	120Z0807	1
							230V	120Z0808	1
				60 Hz	120Z0862	1	24V	120Z0807	1
							230V	120Z0808	1
VZH354H	VZH170	DSH184	Left	50 Hz	120Z0860	1	24V	120Z0811	1
							230V	120Z0812	1
				60 Hz	120Z0858	1	24V	120Z0811	1
			230V				120Z0812	1	
			Right	50 Hz	120Z0861	1	24V	120Z0811	1
							230V	120Z0812	1
60 Hz	120Z0861	1		24V	120Z0811	1			
			230V	120Z0812	1				
VZH410H	VZH170	DSH240	Left/Right	50 Hz	120Z0859	1	24V	120Z0805	1
							230V	120Z0806	1
				60 Hz	120Z0859	1	24V	120Z0805	1
							230V	120Z0806	1
VZH465H	VZH170	DSH295	Left/Right	50 Hz	120Z0858	1	24V	120Z0805	1
							230V	120Z0806	1
				60 Hz	120Z0858	1	24V	120Z0805	1
							230V	120Z0806	1

## Accessories and Spare parts

### Suction separator



Code no.	Description	Application	Packaging	Pack size
120Z0858	Hybrid manifold suction separator	VZH465H-50/60Hz right/left suction VZH354H-60Hz left suction	Single pack	1
120Z0859	Hybrid manifold suction separator	VZH410H-50/60Hz right/left suction	Single pack	1
120Z0860	Hybrid manifold suction separator	VZH354H-50Hz left suction	Single pack	1
120Z0861	Hybrid manifold suction separator	VZH354H-50/60Hz right suction	Single pack	1
120Z0862	Hybrid manifold suction separator	VZH301H-50/60Hz right/left suction	Single pack	1
120Z0863	Hybrid manifold suction separator	VZH257H-50Hz right/left suction	Single pack	1
120Z0864	Hybrid manifold suction separator	VZH257H-60Hz VZH278H-50Hz right/left suction	Single pack	1
120Z0865	Hybrid manifold suction separator	VZH278H-60Hz right/left suction	Single pack	1
120Z0866	Hybrid manifold suction separator	VZH208H-60Hz right/left suction	Single pack	1
120Z0867	Hybrid manifold suction separator	VZH208H-50Hz right/left suction	Single pack	1
120Z0868	Hybrid manifold suction separator	VZH178H-60Hz right/left suction	Single pack	1
120Z0869	Hybrid manifold suction separator	VZH178H-50Hz right/left suction	Single pack	1

### Tandem accessory kit



Code no.	Description	Application	Packaging	Pack size
120Z0809	Oil level sensor 24V AC/DC, sleeves, gaskets	VZH178H-257H-278H with 24V oil level sensor	Single pack	1
120Z0810	Oil level sensor 230V AC, sleeves, gaskets	VZH178H-257H-278H with 230V oil level sensor	Single pack	1
120Z0807	Oil level sensor 24V AC/DC, sleeves, gaskets	VZH208H-301H with 24V oil level sensor	Single pack	1
120Z0808	Oil level sensor 230V AC/DC, sleeves, gaskets	VZH208H-301H with 230V oil level sensor	Single pack	1
120Z0805	Oil level sensor 24V AC/DC, sleeves, gaskets, grommets, washers, bolts	VZ410H-465H with 24V oil level sensor	Single pack	1
120Z0806	Oil level sensor 230V AC, sleeves, gaskets, grommets, washers, bolts	VZ410H-465H with 230V oil level sensor	Single pack	1
120Z0812	Oil level sensor 230V AC, sleeves, gaskets, grommets, washers, bolts	VZH354H with 230V oil level sensor	Single pack	1
120Z0811	Oil level sensor 24V AC, sleeves, gaskets, grommets, washers, bolts	VZH354H with 24V oil level sensor	Single pack	1

### Oil level sensor

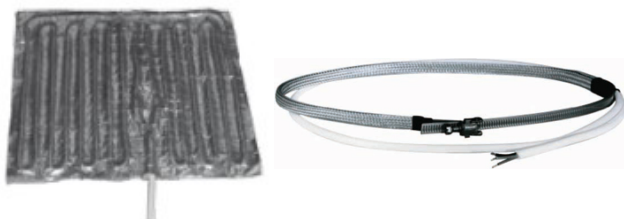


Code no.	Description	Application	Packaging	Pack size
120Z0803	Oil level sensor 24V AC/DC	VZH088-117-170 manifolding version	Single pack	1
120Z0804	Oil level sensor 230V AC	VZH088-117-170 manifolding version	Single pack	1

### Connector for oil level sensor

Code no.	Description	Application	Packaging	Pack size
034G7073	M12 angle female connector cable 2m	Oil level sensor with relay	Single pack	1
034G7074	M12 angle female connector cable 8m	Oil level sensor with relay	Single pack	1

### Crankcase Heater



Code no.	Description	Application	Packaging	Pack size
120Z0388	Surface sump heater, 80W, 24V, CE, UL	VZH088-117	Multipack	8
120Z0389	Surface sump heater, 80W, 230V, CE, UL	VZH088-117	Multipack	8
120Z0390	Surface sump heater, 80W, 400V, CE, UL	VZH088-117	Multipack	8
120Z0391	Surface sump heater, 80W, 460V, CE, UL	VZH088-117	Multipack	8
120Z0402	Surface sump heater, 80W, 575V, CE, UL	VZH088-117	Multipack	8
120Z0870	Belt type crankcase heater, 75W, 24 V, CE & UL	VZH170	Multipack	6
7773108	Belt type crankcase heater, 75W, 230 V, CE & UL	VZH170	Multipack	6
7773118	Belt type crankcase heater, 75W, 400 V, CE & UL	VZH170	Multipack	6
120Z0464	Belt type crankcase heater, 75W, 460 V, CE & UL	VZH170	Multipack	6
120Z0465	Belt type crankcase heater, 75W, 575 V, CE & UL	VZH170	Multipack	6
120Z0667	48W 24V surface sump heater CE and UL	DSH090 to 184	Single pack	1
120Z0668	48W 230V surface sump heater CE and UL	DSH090 to 184	Single pack	1
120Z0669	48W 400V surface sump heater CE and UL	DSH090 to 184	Single pack	1
120Z0670	48W 460V surface sump heater CE and UL	DSH090 to 184	Single pack	1
120Z0671	48W 575V surface sump heater CE and UL	DSH090 to 184	Single pack	1
120Z0388	80W 24V surface sump heater CE and UL	DSH090 to 184	Multipack	8
120Z0389	80W 230V surface sump heater CE and UL	DSH090 to 184	Multipack	8
120Z0390	80W 400V surface sump heater CE and UL	DSH090 to 184	Multipack	8
120Z0391	80W 460V surface sump heater CE and UL	DSH090 to 184	Multipack	8
120Z0402	80W 575V surface sump heater CE and UL	DSH090 to 184	Multipack	8
7773108	Belt type crankcase heater, 75W, 230V, CE & UL	DSH240-295-381-485-600	Multipack	6
7973005	Belt type crankcase heater, 75W, 230V, CE & UL	DSH240-295-381-485-600	Industry pack	50
7773118	Belt type crankcase heater, 75W, 400V, CE & UL	DSH240-295-381-485-600	Multipack	6
120Z0464	Belt type crankcase heater, 75W, 460V, CE & UL	DSH240-295-381-485-600	Multipack	6
120Z0465	Belt type crankcase heater, 75W, 575V, CE & UL	DSH240-295-381-485-600	Multipack	6
120Z0870	Belt type crankcase heater, 75W, 24V, CE & UL	DSH240-295-381-485-600	Multipack	6

Model	Configuration	NRV code	
VZH178H	VZH088 + DSH090	VZH088	DSH090
		NRV16 (020B1059)	-
VZH208H	VZH088 + DSH120	VZH088	DSH120
		NRV16 (020B1059)	-
VZH257H	VZH117 + DSH140	VZH117	DSH140
		NRV19 (020B1054)	-
VZH278H	VZH117 + DSH161	VZH117	DSH161
		NRV19 (020B1054)	-
VZH301H	VZH117 + DSH184	VZH117	DSH184
		NRV19(020B1054)	-
VZH354H	VZH170 + DSH184	VZH170	DSH184
		NRV22 (020-3060)	-

## VZH Hybrid Manifold VZH Gen3+DSH | Accessories and Spare parts

---

Model	Configuration	NRV code	
VZH410H	VZH170 + DSH240	VZH170	DSH240
		NRV22 (020-3060)	-
VZH465H	VZH170 + DSH295	VZH170	DSH295
		NRV22 (020-3060)	-

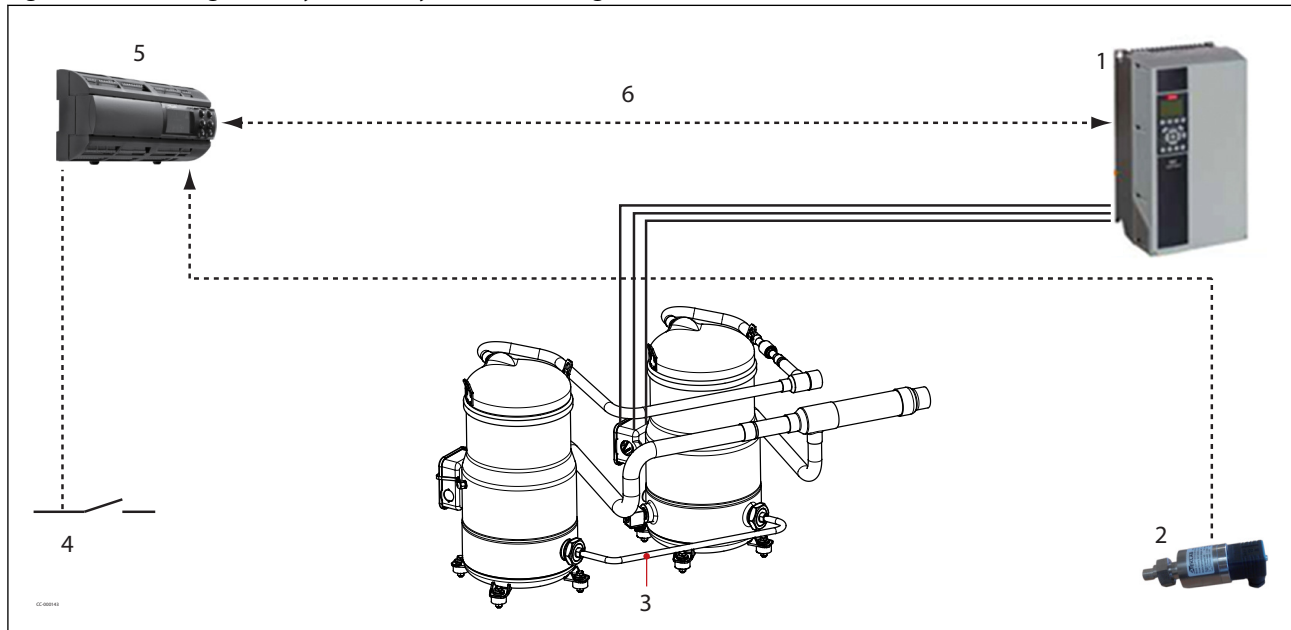
**Annex**

**1. Oil Management logic**

**Oil management for hybrid manifold system**

An oil level sensor needs to be installed on the variable speed compressor. The oil level is permanently monitored by OEM main controller. When oil level is below the minimal, OEM controller enters in oil management mode to recover a proper oil level in compressor. If oil level cannot be recovered, controller stops the system.

Figure 30: Oil management system for hybrid manifolding



1	Drive	4	Power supply
2	Optical oil level sensor	5	OEM main controller
3	Oil equalization tube	6	ModBus

**2. Oil management description**

**2.1 Basic rules**

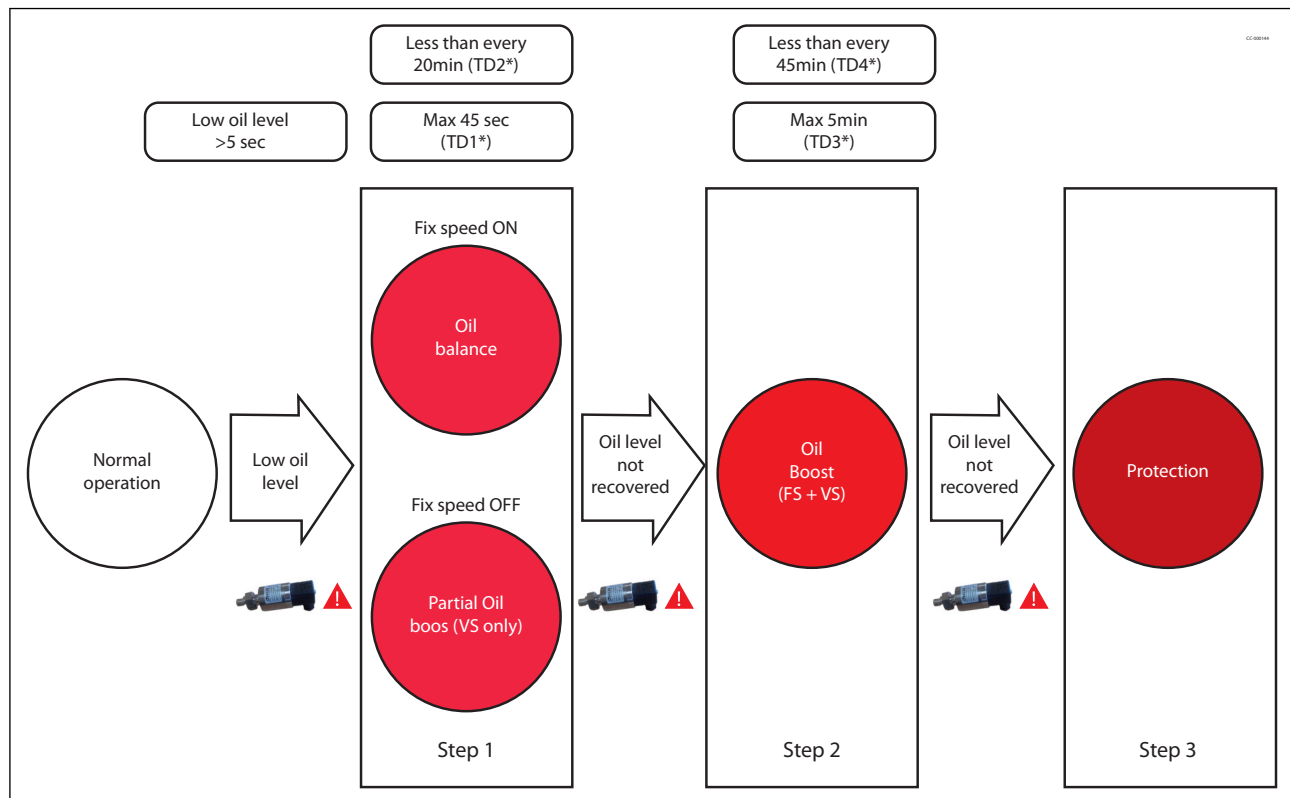
This specification describes the control logic to implement in OEM controller. This control logic must be implemented and thoroughly tested by OEM.

The variable speed compressor (VS) is primary and the fixed speed compressor (FS) is Secondary. FS must not run alone.

As oil balancing logic needs to start / stop compressor as well as increase / decrease speed, make sure expansion device is fast enough to maintain liquid flood back within acceptable limit during those transients (Manage super heat chapter).

**2.2 Oil management modes**

The oil management control logic must include 3 steps.



**Step 1 (Oil balance or partial oil boost)**

In case of low oil level detection by Oil level sensor on VS, there is 2 possible actions according to fix speed state:

- **Fix speed is ON:** Oil can be trapped in fix speed compressor due to pressure unbalance. Oil balance mode is activated. FS is stopped and VS speed is increased; pressure in VS become lower than FS oil is coming back through oil equalization line.
- **Fix speed is OFF:** Oil is trapped in the system. Partial oil boost is activated. VS speed is increased to slightly increase refrigerant velocity in the system and recover oil, FS remain OFF

TD1 is the maximum time to complete Step 1: If oil is not recovered within TD1, switch to Step 2: If oil is recovered within TD1 come back to normal operation. TD2 is the minimum interval between two step 1. If step 1 is requested in less than TD2 after last step 1, switch immediately to step 2.

**Step 2 (Full oil boost)**

If oil level cannot be recovered within defined time, oil is trapped in the system. Full oil boost is activated. (VS speed is increased and fix starts (if not already ON). It considerably increases refrigerant velocity in the system and recovers oil.

TD3 is the maximum time to complete step 2. If oil is not recovered within TD3 switch to step 3. If oil is recovered within TD3 come back to normal operation. TD4 is the minimum interval between two step 2. In case of low oil level detection within a time <TD4, switch to step 3.

**Step 3 (Protection)**

If oil is still lower than limit after completed step 1 & 2, or if oil level drop within a time <TD4, controller must enter in protection mode, and stop the system in alarm.

**NOTE:**

TD time is adjustable. Please refer to "Parameter and variable table"

**2.3 Steps description**

**Oil balance**

**Function description:** Balance oil from FS compressor to VS Compressor.

**Enter condition:** Low oil level in VS compressor detected by oil level sensor.

**AND**

FS compressor is ON

**AND**

$t_2 > TD_2$ , Interval between two Oil balance / Oil boost is  $> TD_2$

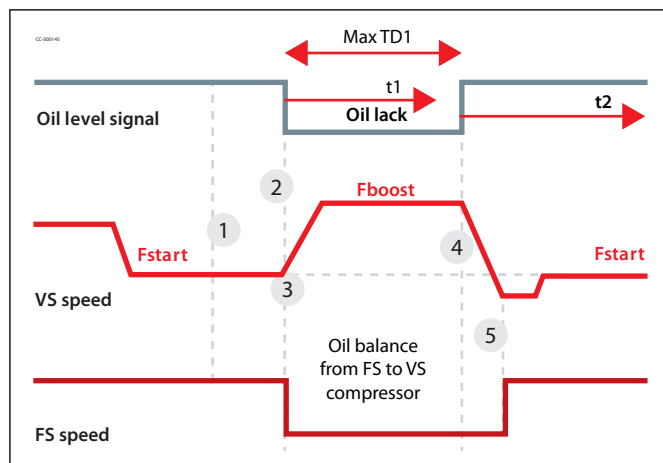
**Cancel condition:** High oil level in VS compressor detected by oil level sensor.

**OR**

$t_1 > TD_1$ , Oil balance duration exceed  $TD_1$

**Control sequence**

1. At the initial state, VS and FS compressor are ON.
2. Low oil level detected in VS compressor. Reset and Start  $t_1$ .
3. FS compressor must stop. VS compressor speed must increase to  $F_{boost}$ .
4. When high oil level detected in VS compressor.
  - VS compressor speed must be decreased to minimal speed  $F_{min}$ .
  - Reset and Start  $t_2$
  - Reset  $t_1$
5. When VS compressor speed reaches  $F_{start}$ , FS compressor must restart.



**Partial oil boost**

**Function description:** Return oil trapped in the system to compressors by increasing refrigerant mass-flow in the system.

**Enter condition:** Low oil level in VS compressor detected by oil level sensor.

**AND**

FS compressor is OFF

**AND**

$t_2 > TD_2$ , Interval between two Oil balance / Oil boost is  $> TD_2$

**Cancel condition:** High oil level in VS compressor detected by oil level sensor.

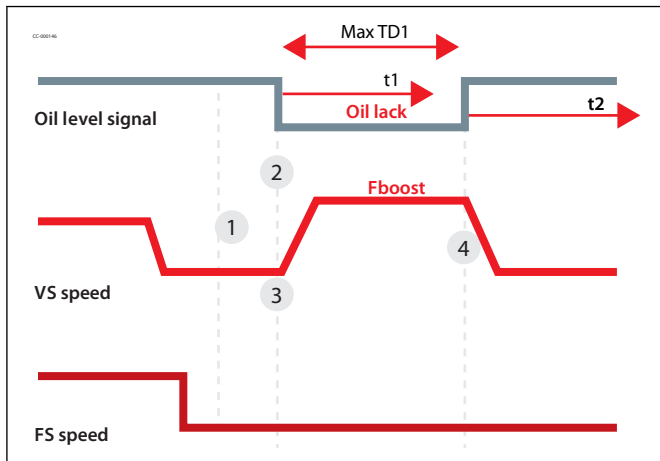
**OR**

$t_1 > TD_1$ , Partial oil Boost duration exceed  $TD_1$

**Control sequence**

1. At the initial state, VS compressor is ON and FS compressor is OFF.
2. Low oil level detected in VS compressor. Reset and start  $t_1$
3. VS compressor speed must increase to  $F_{boost}$ .
4. When high oil level detected in VS compressor
  - VS compressor speed must be decreased to the initial speed ( $F_{start}$ )
  - Reset and start  $t_2$
  - Reset  $t_1$





**Oil boost**

**Function description:** Return oil trapped in the system to compressors by increasing refrigerant mass-flow in the system.

**Enter condition:** Low oil level in VS compressor detected by oil level sensor.

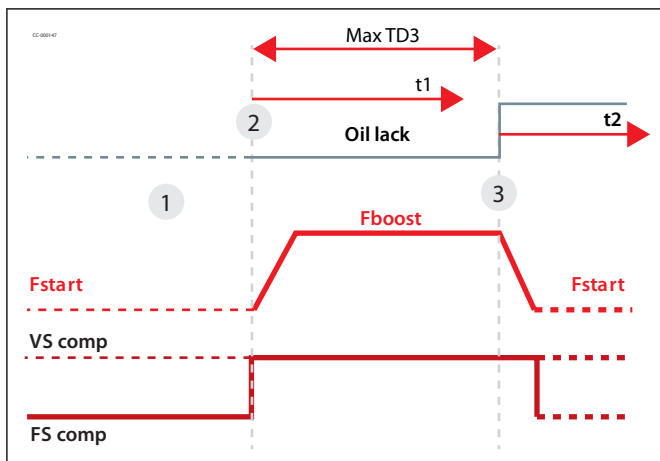
**AND**

( $t1 > TD1$ , Oil balance / boost duration  $t1 > TD1$  OR  $t2 < TD2$ , Interval between two Oil balance / Oil boost is  $< TD2$ )

**Cancel condition:** High oil level in VS compressor detected by oil level sensor.

**OR**

$t1 > TD3$ , Oil balance / boost duration exceeds Maximum Oil boost duration



**Protection**

**Function description:** Stop compressors to prevent short of oil running.

**Enter condition:** Low oil level in VS compressor detected by oil level sensor.

**AND**

( $t1 > TD3$ , Oil balance / boost duration exceeds  $TD3$  OR  $t3 < TD4$ , Interval between two Oil boost is  $< TD4$ )

**Cancel condition:** Manual Reset

**Control sequence:**

- Stop FS and VS compressor
- Reset t1
- Reset t2
- Reset t3

## 2.4 Parameter and variable

**Table 13: Parameter and variable**

Name	Text	Attribute	Range	Default	Unit
Fboost	Boost action frequency	parameter	25~100	70	Hz
TD1	Maximum oil balance / Partial oil boost duration	parameter	10~240	30	second
TD2	Interval minimum between two oil balance / Partial oil boost	parameter	10~60	20	minutes
TD3	Maximum boost duration	parameter	5~12	5	minutes
TD4	Interval minimum between two oil boost	parameter	45~120	45	minutes
t1	Oil balance/ Partial oil boost timer	Variable	-	-	second
t2	Interval between two oil balance / Partial oil boost	Variable	-	-	minutes
t3	Interval between two oil boost	Variable	-	-	minutes

## Online support

Danfoss offers a wide range of support along with our products, including digital product information, software, mobile apps, and expert guidance. See the possibilities below.

### The Danfoss Product Store



The Danfoss Product Store is your one-stop shop for everything product related—no matter where you are in the world or what area of the cooling industry you work in. Get quick access to essential information like product specs, code numbers, technical documentation, certifications, accessories, and more.

Start browsing at [store.danfoss.com](https://store.danfoss.com).

### Find technical documentation



Find the technical documentation you need to get your project up and running. Get direct access to our official collection of data sheets, certificates and declarations, manuals and guides, 3D models and drawings, case stories, brochures, and much more.

Start searching now at [www.danfoss.com/en/service-and-support/documentation](https://www.danfoss.com/en/service-and-support/documentation).

### Danfoss Learning



Danfoss Learning is a free online learning platform. It features courses and materials specifically designed to help engineers, installers, service technicians, and wholesalers better understand the products, applications, industry topics, and trends that will help you do your job better.

Create your Danfoss Learning account for free at [www.danfoss.com/en/service-and-support/learning](https://www.danfoss.com/en/service-and-support/learning).

### Get local information and support



Local Danfoss websites are the main sources for help and information about our company and products. Find product availability, get the latest regional news, or connect with a nearby expert—all in your own language.

Find your local Danfoss website here: [www.danfoss.com/en/choose-region](https://www.danfoss.com/en/choose-region).

### Coolselector®2 - find the best components for you HVAC/R system



Coolselector®2 makes it easy for engineers, consultants, and designers to find and order the best components for refrigeration and air conditioning systems. Run calculations based on your operating conditions and then choose the best setup for your system design.

Download Coolselector®2 for free at [coolselector.danfoss.com](https://coolselector.danfoss.com).

### Ref Tools – essential tools for HVACR professionals



Get the guidance, support, information, and tools you need—on the job and in field. Ref Tools is a free, powerful app that contains essential tools every air conditioning and refrigeration technician needs in their digital toolbelt.

Download Ref Tools for free at [coolapps.danfoss.com](https://coolapps.danfoss.com)