

Installation Guide

2-step solenoid valve

Type ICLX 32-65

UK
CA
089 0879

027R9901

027R9901

Installation | Montage | Instalación | Instalação | 安装 | Montaż zaworu | Монтаж

1

EVM NO
EVM (NA)
EVM NA

EVM NO
EVM (NA)
EVM NA

EVM NO
EVM (NA)
EVM NA

2

EVM NC
EVM (NC)

EVM NO
EVM (NA)

External pressure inlet
Entrée de pression externe
Entrada de presión externa
Entrada da pressão externa
外部压力入口
Wlot ciśnienia sterującego
Внешняя пилотная линия

Flow direction
Direction du flux
Sentido de flujo
Direção do fluxo
流向
Kierunek przepływu
Направление потока

3a

Unscrew and remove all top cover bolts.
Dévissez et retirez tous les boulons du couvercle supérieur.
Desenroscar y retirar todos los pernos de la tapa superior.
Solte o parafuso e remova todos os parafusos da tampa superior.
拧下顶盖上的所有螺栓。
Odkręć i wyjąć wszystkie śruby pokrywy górnej.
Отверните и снимите все крепежные болты с верхней крышки.

3b

Remove spindle sign, lock ring and lock washer.
Retirez la marque de la tige, l'anneau de blocage et la rondelle de frein.
Retirar la cubierta del eje, el anillo de bloqueo y la arandela de bloqueo.
Remover o sinal do eixo, anel de bloqueio e arruela de bloqueio.
取下旋杆标签、锁环和锁紧垫圈。
Zdemontować znacznik wrzeciona, pierścień blokujący i podkładkę.
Снимите со штока стопорное кольцо и стопорную шайбу.

Turn spindle downwards out of thread.
Vissez la tige vers le bas, jusqu'en fin de filetage.
Girar el eje presionando hacia abajo para extraerlo.
Gire o eixo para baixo, fora da rosca.
向下转动旋杆，使之脱离螺纹。
Wykręć wrzeciono z gwintu w dół.
Выверните шток с резьбы вниз

Unscrew and remove all top cover bolts
Dévissez et retirez tous les boulons du couvercle supérieur.
Desenroscar y retirar todos los pernos de la tapa superior.
Solte o parafuso e remova todos os parafusos da tampa superior.
拧下顶盖上的所有螺栓。
Odkręć i wyjąć wszystkie śruby pokrywy górnej.
Отверните и снимите все крепежные болты с верхней крышки.

4

	two-step deux temps Dos etapas dois estágios 两步式 Praca dwustopniowa двухступенчатый	one-step un temps Una etapa um estágio 一步式 Praca jednostopniowa одноступенчатый
ICLX 32	M5 x 6	M5 x 16
ICLX 40	M5 x 6	M5 x 16
ICLX 50	M5 x 6	M5 x 16
ICLX 65	M5 x 6	M5 x 16
	Allen key Clé Allen Llave Allen Chave Allen 内六角 Klucz imbusowy Торцевой ключ	Allen key Clé Allen Llave Allen Chave Allen 内六角 Klucz imbusowy Торцевой ключ

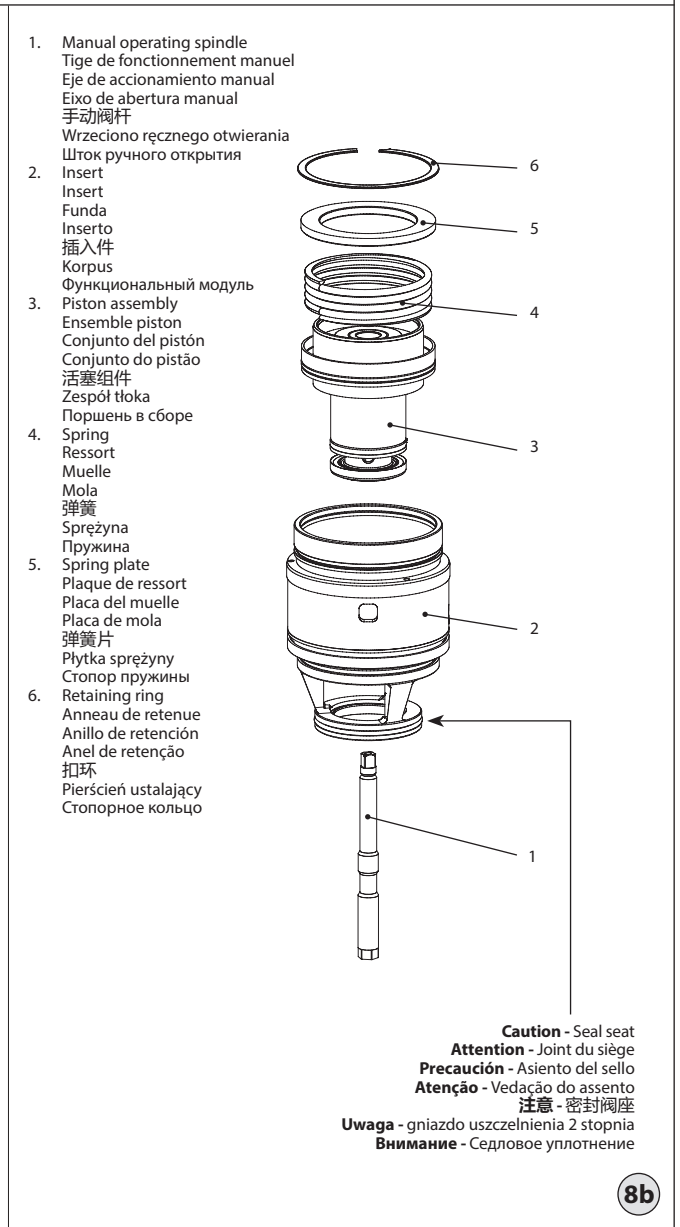
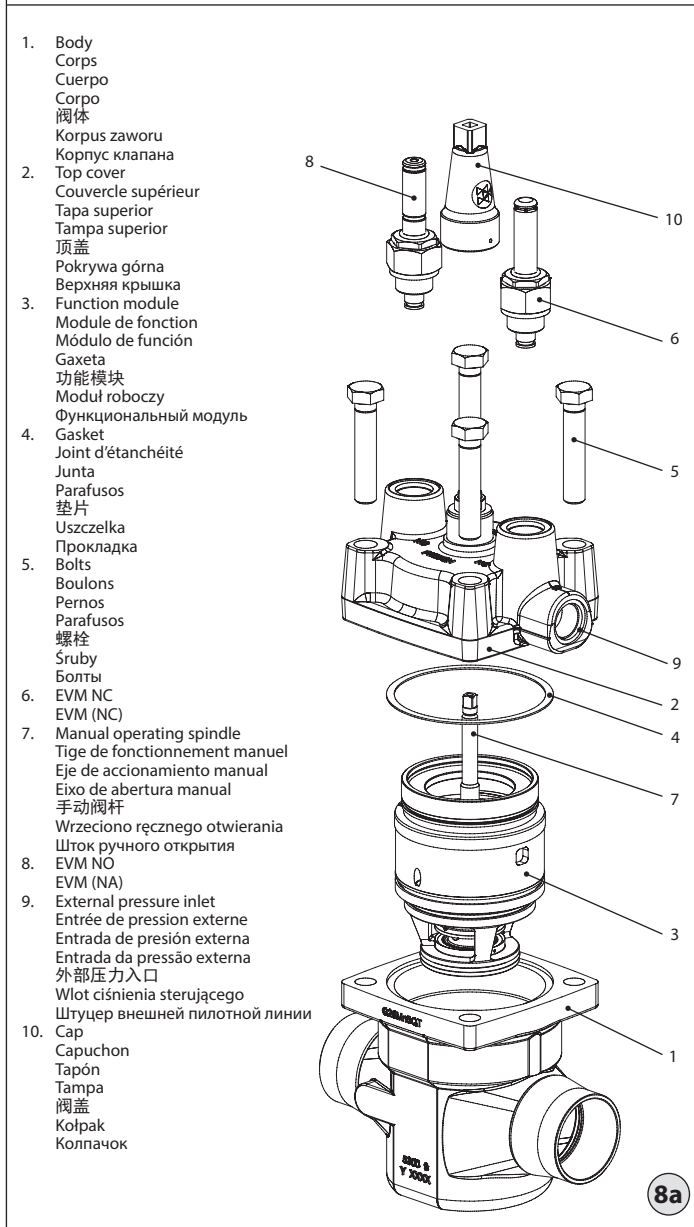
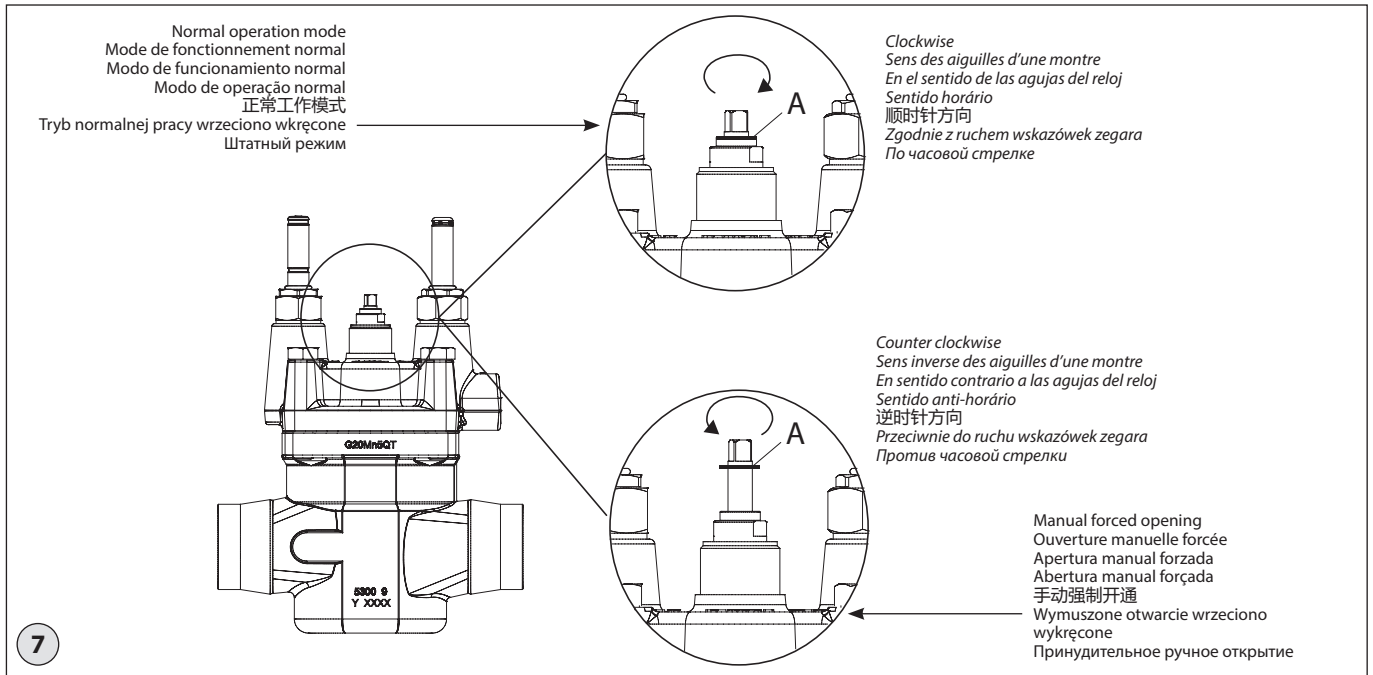
5

6

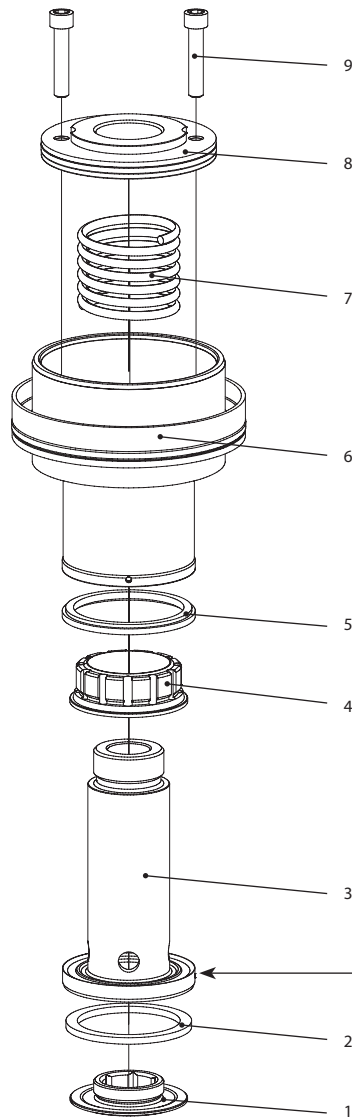
	Valve body size Taille du corps de vanne Tamaño del cuerpo de la válvula Corpo da válvula tamanho 阀体尺寸 Wielkość zaworu Размер корпуса клапана	Nm	ft lb
Pos. A 位置 A	32	120	88
Pos. B 位置 B	40	120	88
Pos. A 位置 A	50	140	103
Pos. B 位置 B	65	150	110
Pos. A 位置 A	32	50	37
Pos. B 位置 B	40		
Pos. B 位置 B	50		
Pos. B 位置 B	65		

Імпортер: ТОВ з іі "Данфосс ТОВ" 04080, Київ 80, п/с 168, Україна

Info for UK customers only : Danfoss Ltd., 22 Wycombe End, HP9 1NB, GB

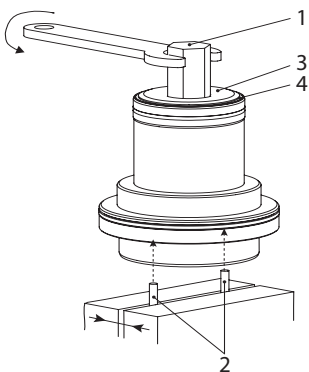


1. Sealing retainer
Joint de retenue
Retén de sellado
Retentor de vedação
密封承座
Element ustalający uszczelnienia
Фиксирующее уплотнение
2. PTFE valve plate
Plaque de vanne PTFE
Placa de PTFE de la válvula
Placa da válvula PTFE
PTFE 阀垫
Uszcz. 2 stopień (PTFE)
Тефлоновая (PTFE) клапанная пластина
3. Main piston
Piston principal
Pistón principal
Pistão principal
主活塞
Tłok główny
Основной поршень
4. Sealing retainer
Joint de retenue
Retén de sellado
Retentor de vedação
密封承座
Element ustalający uszczelnienia
Фиксирующее уплотнение
5. PTFE valve plate
Plaque de vanne PTFE
Placa de PTFE de la válvula
Placa da válvula PTFE
PTFE 阀垫
Uszcz. 1 stopień (PTFE)
Тефлоновая (PTFE) клапанная пластина
6. Bleed piston
Piston – vidange
Pistón de purga
Pistão de purga
泄流活塞
Tłok pomocniczy
Спускной поршень
7. Bleed spring
Ressort – vidange
Muelle de purga
Mola de purga
泄流弹簧
Sprężyna pomocnicza
Спускная пружина
8. Main piston top
Plaque supérieure piston
Pistón principal, pieza superior
Pistão superior principal
主活塞顶部
Pokrzywa tłoka głównego
Крышка основного поршня
9. Bolts
Boulons
Pernos
Parafusos
螺栓
Śruby
Болты



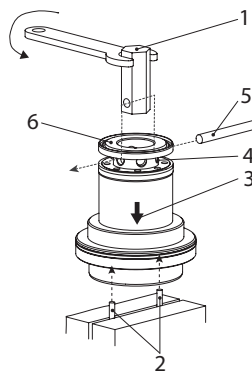
Caution - Seal seat
Attention - Joint du siège
Precaución - Asiento del sello
Atenção - Vedação do assento
注意 - 密封阀座
Uwaga - gniazdo uszczelnienia 2 stopnia
ВНИМАНИЕ - Седловое уплотнение

8c



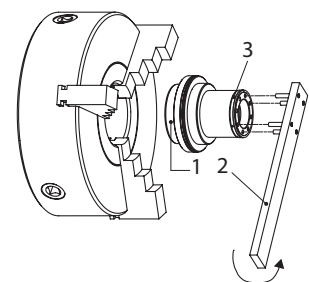
Valve size Taille de la vanne Tamaño de la válvula Tamanho da válvula 阀门规格 Wielkośc zaworu Клапан	Nm	lb-ft фунт/фут
ICLX 32	30	22
ICLX 40	30	22
ICLX 50	50	37
ICLX 65	50	37

9a



Valve size Taille de la vanne Tamaño de la válvula Tamanho da válvula 阀门规格 Wielkośc zaworu Клапан	Nm	lb-ft фунт/фут
ICLX 32	30	22
ICLX 40	30	22
ICLX 50	50	37
ICLX 65	50	37

9b



Valve size Taille de la vanne Tamaño de la válvula Tamanho da válvula 阀门规格 Wielkośc zaworu Клапан	Nm	lb-ft фунт/фут
ICLX 32	30	7
ICLX 40	30	7
ICLX 50	30	22
ICLX 65	50	37

9c

ENGLISH

Installation

Refrigerants

Applicable to HCFC, HFC, R717 (Ammonia) and R744 (CO₂).

Flammable hydrocarbons are not recommended.

The valve is only recommended for use in closed circuits. For further information please contact Danfoss.



Please note:

The ICLX function modules can only be used in housings produced in or after week 49 2012; thus the week code on the housing must be 4912 or higher.

Temperature range

-60/+120°C (-76/+248°F)

Pressure

The valves are designed for a max. working pressure of 52 bar g (754 psi g).

Application

The ICLX is used in suction lines for the opening against high differential pressure, e.g. after hot gas defrost in large industrial refrigeration systems with ammonia, fluorinated refrigerants or CO₂.

The ICLX opens in two steps:

Step one opens to approx. 10% of the capacity, when the pilot solenoid valves are activated.

Step two opens automatically after the pressure differential across the valve reaches approximately 1 bar.

External pressure

The external pressure applied to the ICLX should always be 1.5 bar higher than the inlet pressure of the valve. This will give the valve a MOPD of 28 bar. If the external pressure is 2 bar higher than the inlet pressure the MOPD of the ICLX will be 40 bar.

Electrical wiring

The ICLX valve is a normally closed design. To ensure that the valve operates as normally closed it is important that the EVM NC pilot is mounted in the pilot port next to the external pressure inlet (fig. 2). For normal operation mode both pilots should be energized simultaneously, e.g. same signal can be used for both pilots.

Coil requirements

Both coils must be IP67.

EVM NC: 10W ac (+ higher) for MOPD up to 21 bar

EVM NC: 20W ac for MOPD 21 → 40 bar

EVM NO: 10W ac (or higher)



The valve will have a malfunction in systems where the pressure differential across the valve in normal open conditions will exceed 1 bar (15 psig). In this case the step two of the valve will close.

Orientation

The valve must be installed with the arrow in the direction of the flow and with the pilots pointing in one of the directions shown in fig.1. Downwards pointing pilots (any angle) is not possible. The top cover can be rotated 4 X 90° in relation to the valve body.

If the ICLX is installed with a vertical pilot orientation (see fig. 1) attention should be paid to have the EVM NO in lower position. If needed rotate the top cover.

The valve is fitted with a spindle for manual opening. Make sure that the external pilot line is connected to the upper side of the main line so that any dirt and oil from the plant will not find its way into the pilot line. The valve is designed to withstand a high internal pressure. However, the piping system should be designed to avoid liquid traps and reduce the risk of hydraulic pressure caused by thermal expansion. It must be ensured that the valve is protected from pressure transients like "liquid hammer" in the system.

Welding (fig. 5 and 8a)

The top cover (fig. 8a, pos. 2) and function module (fig. 8a, pos. 3), must be removed before welding to prevent damage to o-rings and teflon (PTFE) in the function module. Often the cover and function module can be removed while still assembled (fig. 3a), but if the internal O-rings stick to the metal surface it is necessary to disassemble in 2 steps (fig. 3b). In both cases the parts can be lifted out by the careful use of 2 screwdrivers.

Note: Remove all parts from the valve body before welding (as shown in fig. 5).



The internal surfaces and weld connections of the enclosed ICLX valve have been applied with an anti-corrosion treatment.

In order to maintain the effectiveness of this anti-corrosion treatment, it is important to ensure that the valve is disassembled just prior to the welding process being undertaken.

In the event that the function modules are to be left disassembled for even a short period, please ensure that the function modules are further protected by placing in a polyethylene bag or by applying a rust protection agent (e.g. refrigeration oil or BRANOROL) on the surfaces.

Only materials and welding methods, compatible with the valve body material, must be applied to the valve body.

Avoid welding debris and dirt in the valve body and the function module. The valve body must be free from stresses (external loads) after installation.

The valves must not be mounted in systems where the outlet side of the valve is open to atmosphere. The outlet side of the valve must always be connected to the system or properly capped off, for example with a welded-on end plate.

Assembly

Remove welding debris and any dirt from pipes and valve body before assembly. Check that the o-rings are intact before replacing the function module. If possible, apply some refrigeration oil to ease the insertion and to protect the o-rings. Check that the top gasket has not been damaged. If the surface has been damaged or the gasket has been bent, it must be replaced.

Tightening (fig. 6)

Tighten the top cover with a torque wrench, to the values indicated in the table.

Colours and identification

The ICLX valves are Zinc-Chromated from factory. The Zinc-Chromatization does not cover the welding connections.

If further corrosion protection is required, the valves can be painted.

The external surface of the valve housing must be protected against corrosion with a suitable top coating after installation involving welding and consequent assembly. Protection of the ID plate when painting the valve is recommended.



Important note for ICLX valves:

The ICLX valve is kept in its open position by hot gas. The hot gas condenses in the cold valve and creates liquid under the servo piston.

When the pilot valves change status to close the ICLX, the pressure on the servo piston equalises with the suction pressure through the pilot valve.

This equalisation takes time because condensed liquid is present in the valve. The exact time taken from when the pilot valves change position to complete closing of the ICLX will depend on temperature, pressure, refrigerant and size of valve. Thus an exact closing time for the valves cannot be given but, in general, lower temperatures give longer closing times.

It is very important to take the closing times into consideration when hot gas defrost is performed on evaporators.

Steps must be taken to ensure that the hot gas supply valve is not opened before the ICLX in the suction line is completely closed. If the hot gas supply valve is opened before the ICLX in the suction line is closed, considerable energy will be lost and potentially dangerous situations might arise because of "liquid hammer". In ICLX valves, the spring-loaded second stage might be induced to hammer by gas and liquid being forced through the valve at $\Delta p > 1.5$ bar across the ICLX. The final result could be severe damage to the valve.

As a rule of thumb a closing time of 2 minutes can be used as a starting point. The optimum closing time for each individual system must be determined at initial start-up of the plant at intended operational conditions. It is recommended to check if the closing time needs to be changed when conditions changes (suction pressure, ambient temp. etc.) and closing time should be checked at service of the valve. Once the optimum closing time has been identified it is recommended to add a safety margin of 30 sec. to the optimum closing time.

Maintenance

Service

The ICLX valves can be disassembled for service purposes.

Only skilled and trained refrigeration engineers are allowed to service the ICLX valves. Do not open the valve while the valve is still under pressure.

Pressure relief can be done by carefully opening the manual operating spindle. Small grooves along the thread will release refrigerant into open air. This operation must only be done after providing the correct countermeasures under local legislation.

ENGLISH

Often the cover and function module can be removed while still assembled (fig. 3a), but if the internal O-rings stick to the metal surface it is necessary to disassemble in 2 steps (fig. 3b). In both cases the parts can be lifted out by the careful use of 2 screwdrivers.

Upon opening and removal of the function module:

- Check that the o-rings on the function module has not been damaged. A valve with a damaged o-ring might not operate according to the specification.
- The insert and piston assembly can be disassembled according to figure 8b & 8c. Be careful when removing the retaining ring (fig. 8b, pos. 6). The retaining ring (fig. 8b, pos. 6) will be submitted to the force from the compressed spring (fig. 8b, pos. 4).



Be careful not to damage the two Seal Seats shown in fig. 8b and 8c since any deformation of the steel surface will lead to malfunction of the valve.

- Check pistons, cylinders and valve plates for wear and scratches and replace if needed.
- Check that the movement of the pistons and valve seats are free and with low friction.

Replacement of Valve Plates (ordinary wear parts)

It is possible to replace the two PTFE valve plates (fig. 8c, pos. 2 and pos. 5) by following fig. 9 and these instructions:

Fig. 9a, pos.1 shows a hexagon profile (tool) that fits into the female hexagon hole in the sealing retainer (pos. 3) of the piston assembly of ICLX 50 – 65.

For ICLX 32 – 40 the corresponding tool has to be a hollow hexagon to fit onto the male hexagon.

As backstop when unscrewing the sealing retainer it is recommended to make an arrangement of two steel pins that fits into the small female hexagon holes of the Allen bolts (fig. 8c, pos. 9), clamped into a vice (fig. 9a, pos. 2).

Once the sealing retainer is removed, the Valve plate (pos. 4) can be lifted out.

Move the two steel pins (fig. 9b, pos. 2) to a higher position in the vice to allow the bleed piston (fig. 9b, pos. 3) to be slid downwards and expose a ring of holes (pos. 4).

While there is access to the holes (pos. 4) a steel pin (pos. 5) with matching diameter is inserted through two opposed holes with tool pos. 1 (or similar punched tool) in the middle.

Unscrew the main piston (fig. 9b, pos. 6).

For disassembling of the last sealing retainer it is recommended to utilise a mandrel with three point suspension to avoid deformation of the surfaces (fig. 9c).

Clamp the bleed piston carefully to the mandrel at surface pos.1. Block the mandrel from rotation and unscrew the sealing retainer with a tool (pos. 2) manufactured for the purpose.

When the sealing retainer is removed the remaining valve plate (pos. 3) can be replaced.

Reassembling of the piston assembly is done in reverse order. The torque values for the different joints are shown in fig. 9.

Assembly

Remove any dirt from the body before the valve is assembled. Check that all channels in the valve are not blocked by particles or similar.

If possible, apply some refrigeration oil to ease the insertion and to protect the o-rings.

Tightening (fig. 6)

Tighten the top cover with a torque wrench, to the values indicated in the table.

Changing from two step to one step function

The ICLX valve is from factory side setup as two step function. To change the opening characteristics to one step function the following step must be completed:

- Remove the topcover from the valve housing (fig. 3).
- Change the two bolts (fig. 8c, pos. 9), with insert still in the valve housing.
- The length of the two bolts corresponds to the desired characteristic of the valve and should be applied according to the table (fig. 4).
- After changing the bolts the valve can be reassembled.

Manual opening device (fig. 7)

Normal operation mode

For the valve to operate normally under the influence of the pilot valves the spindle of the manual operation device needs to be turned fully clockwise until the locking ring (A) sits on the top of the packing gland.

Manual forced opening

To manually open the valve the spindle of the manual operation device needs to be turned fully counter clockwise until hitting the mechanical stop.

Commissioning

The time span required to secure full closing of the ICLX valve depends on valve size and application, and needs to be investigated on site. The optimum should be determined during commissioning.

Use only original Danfoss parts, including O-rings and gaskets for replacement.

Materials of new parts are certified for the relevant refrigerant.

In cases of doubt, please contact Danfoss.

Drawings are only for illustration, not for dimensioning or construction.

Montage

Réfrigérants

Utilisable avec tous les réfrigérants ininflammables courants, y compris R717 et R744 (CO₂), et tous les gaz ou liquides non corrosifs.

Les hydrocarbures inflammables ne sont pas recommandés.

La vanne est recommandée pour une utilisation en circuits fermés uniquement. Pour plus d'informations, merci de contacter Danfoss.



Remarque :

Les modules de fonctionnement des vannes ICLX peuvent être utilisés uniquement dans les boîtiers produits à partir de la semaine 49 2012 incluse ; le code de semaine sur le boîtier doit donc être 4912 ou plus.

Plage de températures

-60/+120 °C (-76/+248 °F)

Pression

Les vannes sont conçues pour une pression de service maximale de 52 bar g (754 psi g).

Application

La vanne ICLX est utilisée dans les conduites d'aspiration avec un fort delta P à l'ouverture, par exemple après dégivrage par gaz chauds dans les systèmes de réfrigération industrielle à l'ammoniac, avec réfrigérants fluorés ou au CO₂.

La vanne ICLX s'ouvre en deux temps :

Le premier temps ouvre la vanne à environ 10 % de sa capacité lorsque les électrovannes pilotes sont activées.

Le deuxième temps ouvre la vanne automatiquement, lorsque la pression différentielle dans la vanne atteint environ 1 bar.

Pression externe

La pression externe appliquée à la vanne ICLX doit toujours être supérieure de 1,5 bar à la pression d'entrée de la vanne. Cela donne à la vanne un MOPD de 28 bar. Si la pression externe est supérieure de 2 bar à la pression d'entrée, la MOPD de la vanne ICLX sera de 40 bar.

Câblage électrique

La vanne ICLX est de conception normalement fermée (NC). Pour assurer que la vanne fonctionne en mode normalement fermé, il est important de monter la vanne pilote EVM NC sur l'orifice de pilote situé à côté de l'entrée de pression externe (fig. 2).

En fonctionnement normal, les deux vannes pilotes doivent être mises sous tension simultanément, par exemple le même signal peut être utilisé pour les deux vannes pilotes.

Caractéristiques des bobines

Les deux bobines doivent avoir un indice de protection IP67.

EVM NC : 10 Wca (ou plus) pour une MOPD inférieure ou égale à 21 bar

EVM NC : 20 Wca pour une MOPD de 21 à 40 bar

EVM NO : 10 Wca (ou plus)



La vanne présente un dysfonctionnement dans les systèmes où la pression différentielle dans la vanne, en condition normalement ouverte, dépasse 1 bar (15 psig). Dans ce cas, la vanne se ferme conformément au deuxième temps.

Orientation

La vanne doit être installée avec la flèche orientée dans la direction du flux et avec les pilotes orientés dans l'une des directions illustrées à la fig. 1. Il n'est pas possible d'orienter les pilotes vers le bas (quel que soit

l'angle). Le couvercle supérieur peut être tourné de 4 x 90° par rapport au corps de vanne.

Si la vanne ICLX est installée avec les pilotes orientés à la verticale (voir fig. 1), il convient de veiller à positionner l'EVM NO en bas. Si nécessaire, faire pivoter le couvercle supérieur.

La vanne est dotée d'une tige pour ouverture manuelle. Veillez à connecter la conduite pilote externe au côté supérieur de la conduite principale, afin d'éviter l'entrée d'impuretés ou d'huile provenant du site dans la conduite pilote. La vanne est conçue pour résister à une pression interne élevée. Toutefois, il convient de concevoir le circuit de façon à éviter les pièges à liquide et réduire les risques de formation d'une pression hydraulique sous l'effet de la dilatation thermique. Veillez à ce que la vanne soit protégée des variations de pression au sein du circuit comme les « coups de bélier ».

Soudage (fig. 5 et 8a)

Le couvercle supérieur (fig. 8a, pos. 2) et le module de fonction (fig. 8a, pos. 3), doivent être retirés avant le soudage pour éviter d'endommager les joints toriques et téflon (PTFE) du module de fonction. Souvent, le couvercle et le module opérationnel peuvent être retirés alors qu'ils sont toujours assemblés (fig. 3a), mais si les joints toriques internes adhèrent à la surface métallique, il est nécessaire de procéder au démontage en 2 étapes (fig. 3b). Dans les deux cas, les pièces peuvent être retirées en utilisant avec précaution 2 tournevis.

Remarque : Avant soudage, retirez tous les composants du corps de vanne (comme illustré fig. 5).



Les surfaces internes et les raccords soudés de la vanne ICLX jointe ont fait l'objet d'un traitement contre la corrosion.

Pour préserver l'efficacité de ce traitement, il est important de veiller à démonter la vanne juste avant un processus de soudage.

Si les modules de fonction doivent rester démontés, même pour une courte période, veillez à les protéger en les plaçant dans un sachet en polyéthylène ou en appliquant aux surfaces un agent de protection contre la rouille (par exemple de l'huile de réfrigération ou du BRANOROL).

Seuls des matériaux et des méthodes de soudage compatibles avec le matériau du corps de vanne doivent être appliqués au corps de vanne.

Évitez l'entrée de résidus de soudage et d'impuretés dans le corps de vanne et dans le module de fonction. Le corps de vanne doit être exempt de contraintes (charges externes) après l'installation.

Les vannes ne doivent pas être montées dans des systèmes où la sortie de la vanne est ouverte à l'atmosphère. Le côté sortie de la vanne doit toujours être raccordé au

système ou correctement couvert, par exemple à l'aide d'un embout soudé.

Montage

Éliminez les résidus de soudage et les impuretés des conduites et du corps de vanne avant de procéder au montage. Vérifiez que les joints toriques sont intacts avant de replacer le module de fonction. Si possible, appliquez un peu d'huile frigorigène pour faciliter l'insertion et pour protéger les joints toriques. Vérifiez que le joint d'étanchéité supérieur n'a pas été

endommagé. Si sa surface a été endommagée ou s'il a été tordu, il doit être remplacé.

Serrage (fig. 6)

Serrez le couvercle supérieur à l'aide d'une clé dynamométrique, conformément aux valeurs indiquées dans le tableau.

Peinture et identification

Les vannes ICLX sont revêtues en usine de chrome zingué. Le chrome zingué ne couvre pas les raccords soudés. Si une protection supplémentaire contre la corrosion est nécessaire, les vannes peuvent être peintes. La surface extérieure du corps de vanne doit être protégée contre la corrosion à l'aide d'un revêtement de protection adapté, appliqué après une installation comportant des soudages suivis d'un montage.

Il est recommandé de protéger la plaque signalétique lors de la peinture de la vanne.



Remarque importante pour les vannes ICLX :

La vanne ICLX est maintenue en position ouverte par du gaz chaud.

Le gaz chaud se condense dans la vanne froide et crée du liquide sous le servopiston. Lorsque les vannes pilotes changent d'état pour fermer la vanne ICLX, la pression sur le servopiston devient égale à la pression d'aspiration, par l'intermédiaire de la vanne pilote.

Cette égalisation prend du temps, car du liquide condensé est présent dans la vanne. Le temps exact nécessaire pour la fermeture complète de la vanne ICLX, à partir du changement de position des vannes pilotes, dépend de la température, de la pression, du fluide frigorigène et de la taille de la vanne. Il est donc impossible d'indiquer un temps de fermeture exact pour les vannes mais, en général, des températures plus basses entraînent des temps de fermeture plus longs.

Il est très important de tenir compte des temps de fermeture lors du dégivrage par gaz chauds des évaporateurs.

Vous devez prendre des mesures pour assurer que la vanne d'alimentation en gaz chauds n'est pas ouverte avant la fermeture complète de la vanne ICLX dans la conduite d'aspiration. Si la vanne d'alimentation en gaz chauds est ouverte avant la fermeture de la vanne ICLX dans la conduite d'aspiration, une quantité considérable d'énergie est perdue et des situations potentiellement dangereuses peuvent se produire en raison de « coups de béliers ». En effet, le ressort du deuxième temps d'une vanne ICLX peut générer des coups de béliers si du gaz et du liquide sont forcés dans la vanne avec un $\Delta p > 1,5$ bar dans la vanne ICLX. La vanne risque alors d'être gravement endommagée.

De manière empirique, vous pouvez prévoir initialement un temps de fermeture de 2 minutes. Mais le temps de fermeture optimal pour chaque système doit être déterminé au premier démarrage de l'installation dans les conditions de fonctionnement prévues. Il est recommandé de vérifier si le temps de fermeture doit être modifié lorsque les conditions évoluent (pression d'aspiration, température ambiante, etc.) et le temps de fermeture doit être vérifié lors de l'entretien de la vanne. Une fois le temps de fermeture optimal validé, il est recommandé d'ajouter une marge de sécurité de 30 secondes au temps de fermeture optimal.

Maintenance

Entretien

Les vannes ICLX peuvent être démontées à des fins d'entretien.

Seuls des techniciens en réfrigération compétents et formés sont autorisés à effectuer l'entretien des vannes ICLX. N'ouvrez pas la vanne lorsqu'elle est encore sous pression.

Pour relâcher la pression, ouvrez avec précaution la tige de fonction manuel. Des petites cannelures situées le long du filetage laissent le réfrigérant s'échapper à l'air libre. Cette opération doit être effectuée uniquement après avoir pris les mesures de précaution conformes à la réglementation locale.

Souvent, le couvercle et le module opérationnel peuvent être retirés alors qu'ils sont toujours assemblés (fig. 3a), mais si les joints toriques internes adhèrent à la surface métallique, il est nécessaire de procéder au démontage en 2 étapes (fig. 3b). Dans les deux cas, les pièces peuvent être retirées en utilisant avec précaution 2 tournevis.

Lors de l'ouverture et du retrait du module de fonction :

- Vérifiez que les joints toriques du module de fonction n'ont pas été endommagés. Une vanne dont les joints toriques sont endommagés risque de ne pas fonctionner conformément à ses spécifications.
- L'insert et l'ensemble piston peuvent être démontés, comme illustré aux figures 8b et 8c. Retirez l'anneau de retenue avec précaution (fig. 8b, pos. 6). L'anneau de retenue (fig. 8b, pos. 6) est soumis à la force du ressort comprimé (fig. 8b, pos. 4).



Veillez à ne pas endommager les deux joints de siège illustrés fig. 8b et 8c, car toute déformation de la surface en acier entraîne un dysfonctionnement de la vanne.

- Vérifiez que les pistons, cylindres et plaques de vanne ne sont ni usés ni rayés et remplacez-les si nécessaire.
- Vérifiez que les pistons et les sièges de vanne se déplacent librement et avec un frottement réduit.

Remplacement des plaques de vannes (pièces d'usure normales)

Il est possible de remplacer les deux plaques de vanne en PTFE (fig. 8c, pos. 2 et 5) en respectant la figure 9 et les instructions suivantes :

La figure 9a, pos. 1, montre un profil hexagonal (un outil) qui s'adapte aux orifices hexagonaux de l'ensemble piston (pos. 3) des vannes ICLX 50 – 65.

Pour les vannes ICLX 32 – 40, l'outil correspondant doit être un orifice hexagonal qui s'adapte à l'embout hexagonal mâle.

Lors du dévissage du joint de retenue, il est recommandé d'utiliser une butée constituée de deux broches en acier correspondant aux petits orifices hexagonaux des boulons Allen (fig. 8c, pos. 9), et de le serrer dans un étai (fig. 9a, pos. 2).

Une fois le joint de retenue retiré, il est possible de retirer la plaque de vanne (pos. 4).

Placez les deux broches en acier (fig. 9b, pos. 2) à une position plus élevée dans l'étai, afin de pouvoir faire glisser le piston de vidange (fig. 9b, pos. 3) vers le bas et d'exposer un anneau d'orifices (pos. 4).

Lorsque les orifices sont accessibles (pos. 4),

insérez une broche en acier (pos. 5) de diamètre correspondant dans deux orifices opposés, l'outil pos. 1 (ou un outil perforé similaire) se trouvant au centre.

Dévissez le piston principal (fig. 9b, pos. 6). Pour démonter le dernier joint de retenue, il est recommandé d'utiliser un mandrin avec une suspension à trois points pour éviter de déformer les surfaces (fig. 9c).

Serrez soigneusement le piston de vidange dans le mandrin à la surface pos. 1. Bloquez la rotation du mandrin et dévissez le joint de retenue au moyen d'un outil (pos. 2) fabriqué à cet effet.

Une fois le joint de retenue retiré, il est possible de remplacer la plaque de vanne (pos. 3). Pour remonter l'ensemble piston, procédez comme indiqué ci-dessus dans l'ordre inverse. Les valeurs de couple pour les différentes vannes sont répertoriées à la figure 9

Montage

Éliminez toute impureté du corps de vanne avant de procéder au montage. Vérifiez qu'aucun canal de la vanne n'est bloqué par des impuretés.

Si possible, appliquez un peu d'huile de réfrigération pour faciliter l'insertion et pour protéger les joints toriques.

Serrage (fig. 6)

Serrez le couvercle supérieur à l'aide d'une clé dynamométrique, conformément aux valeurs indiquées dans le tableau.

Passage du fonctionnement en deux temps au fonctionnement en un seul temps

La vanne ICLX est configurée en usine pour un fonctionnement en deux temps. Pour modifier les caractéristiques d'ouverture afin de permettre un fonctionnement en un seul temps, procédez comme suit :

- Retirez le couvercle supérieur du corps de vanne (fig. 3).
- Remplacez les deux boulons (fig. 8c, pos. 9), l'insert étant resté dans le corps de vanne.
- La longueur des deux boulons correspond aux caractéristiques souhaitées de la vanne et doivent être sélectionnés conformément au tableau (fig. 4).
- Après avoir remplacé les boulons, vous pouvez remonter la vanne.

Dispositif d'ouverture manuelle (fig. 7)

Mode de fonctionnement normal

Pour que les vannes pilotes contrôlent normalement la vanne, la tige du dispositif de fonctionnement manuel doit être tournée à fond dans le sens des aiguilles d'une montre, jusqu'à ce que l'anneau de blocage (A) repose au sommet du presse étoupe.

Ouverture manuelle forcée

Pour ouvrir la vanne manuellement, tournez à fond la tige du dispositif de fonctionnement manuel dans le sens inverse des aiguilles d'une montre, jusqu'à ce que la butée mécanique soit atteinte.

Mise en service

La durée requise pour assurer la fermeture complète de la vanne ICLX dépend des dimensions et de l'utilisation de celle-ci ; elle doit être établie sur site. La valeur optimale doit être déterminée lors de la mise en service.

En cas de remplacement de pièces, utilisez uniquement des pièces Danfoss d'origine, y compris pour les joints toriques et les joints d'étanchéité. Les matériaux des nouveaux composants sont homologués pour le réfrigérant utilisé.

En cas de doute, veuillez contacter Danfoss.

Les schémas sont fournis à des fins d'illustration uniquement et ne doivent pas être utilisés pour déterminer des dimensions ou pour fabrication.

Instalación

Refrigerantes

Apto para HCFC, HFC no inflamable, R-717 (amoníaco) y R-744 (CO₂).

No se recomienda el uso con hidrocarburos inflamables.

Se recomienda limitar el uso de la válvula a circuitos cerrados. Si desea obtener más información, póngase en contacto con Danfoss.



Nota:

Los módulos de función ICLX sólo son compatibles con carcasas fabricadas a partir de la semana 49 de 2012 (inclusive); el código de semana que aparece en la carcasa debe, por tanto, ser equivalente o posterior al 4912.

Rango de temperatura

-60/+120 °C (-76/+248 °F).

Presión

Estas válvulas están diseñadas para una presión de trabajo máxima de 52 barg (754 psig).

Aplicación

Las válvulas ICLX se instalan en líneas de aspiración para garantizar la apertura contra presiones diferenciales elevadas, como las que tienen lugar tras un desescarche por gas caliente en sistemas de refrigeración industrial de grandes dimensiones con amoníaco, refrigerantes fluorados o CO₂.

Las válvulas ICLX se abren en dos etapas: Durante la etapa 1, se abren a, aproximadamente, un 10 % de su capacidad (una vez activas las válvulas piloto de solenoide).

Durante la etapa 2, la apertura tiene lugar automáticamente una vez que la presión diferencial a través de la válvula es de, aproximadamente, 1 bar.

Presión externa

La presión externa aplicada a una válvula ICLX debe ser siempre 1,5 bar superior a la presión de entrada. Ello confiere a la válvula una presión MOPD de 28 bar. Si la presión externa es 2 bar superior a la presión de entrada, la presión MOPD de la válvula ICLX será de 40 bar.

Cableado eléctrico

Las válvulas ICLX presentan un diseño normalmente cerrado. A fin de garantizar que funcionen de acuerdo con el mismo, es importante conectar una válvula piloto de solenoide EVM (NC) al puerto de piloto situado junto a la entrada de presión externa (fig. 2). Para que el funcionamiento tenga lugar en el modo normal, ambas válvulas piloto de solenoide deben activarse simultáneamente (es posible, por tanto, conectarlas a la misma señal).

Requisitos de las bobinas

Ambas bobinas deben contar con protección IP67.

EVM (NC): 10 W c.a. (o más) para MOPD hasta 21 bar

EVM (NC): 20 W c.a. para MOPD 21 → 40 bar

EVM (NA): 10 W c.a. (o más)



La válvula no funcionará correctamente si se instala en un sistema en el que la presión diferencial a través de la misma en condiciones de apertura normal sea superior a 1 bar (15 psig). En tal situación, la válvula se cerrará al alcanzar la etapa 2.

Orientación

La válvula debe instalarse haciendo coincidir el sentido de la flecha con el sentido de flujo y

con las válvulas piloto orientadas en una de las direcciones indicadas en la fig. 1. La instalación con las válvulas piloto orientadas hacia abajo (en cualquier ángulo) no es posible. La tapa superior puede girarse 4 x 90° en relación con el cuerpo de la válvula.

Si la válvula ICLX se instala en vertical (consulte la fig. 1), la válvula piloto EVM (NA) deberá quedar situada en la posición inferior. Gire la tapa superior si es necesario.

La válvula está equipada con un eje de apertura manual. Asegúrese de conectar la línea piloto externa al extremo superior de la línea principal para evitar que la suciedad y el aceite presentes en la instalación penetren en ella.

La válvula está diseñada para soportar una presión interna elevada. Sin embargo, el sistema de tuberías debe diseñarse de tal forma que se eviten las acumulaciones de líquido y se reduzca el riesgo asociado a la presión hidráulica generada por la expansión térmica. Debe garantizarse que la válvula cuente con protección frente a los fenómenos transitorios asociados a la presión que puedan producirse en el sistema (por ejemplo, el fenómeno conocido como "golpe de ariete").

Soldadura (figs. 5 y 8a)

La tapa superior (fig. 8a, pos. 2) y el módulo de función (fig. 8a, pos. 3) se deben desmontar antes de llevar a cabo la soldadura para evitar que resulten dañadas las juntas tóricas y los componentes de teflón (PTFE) del módulo de función.

Con frecuencia, es posible retirar la cubierta y el módulo de función sin desmontar el conjunto (fig. 3a); no obstante, si las juntas tóricas internas se encuentran adheridas a la superficie metálica, el desmontaje deberá llevarse a cabo en 2 pasos (fig. 3b). En ambos casos, las piezas se pueden extraer empleando con cuidado 2 destornilladores.

Nota: Desmonte todos los componentes de la válvula antes de llevar a cabo la soldadura (como se muestra en la fig. 5).



Las superficies internas y las conexiones soldadas de la válvula ICLX suministrada han recibido un tratamiento anticorrosión.

A fin de preservar la efectividad de dicho tratamiento anticorrosión, es importante desmontar la válvula justo antes de llevar a cabo el proceso de soldadura.

Si se espera que el módulo de función permanezca desmontado, aun durante un corto período de tiempo, deberá garantizarse su protección introduciéndolo en una bolsa de polietileno o aplicando a las superficies un agente de protección contra la corrosión (como, por ejemplo, un aceite refrigerante o BRANOROL).

Los materiales y métodos de soldadura aplicados al cuerpo de la válvula deben ser compatibles con el mismo.

Debe evitarse la acumulación de residuos de soldadura y suciedad en el cuerpo de la válvula y el módulo de función. El cuerpo de la válvula no debe verse sometido a tensiones (cargas externas) tras su instalación.

La válvula no debe montarse en sistemas en los que el lado de salida de la misma quede abierto a la atmósfera. El lado de salida de la válvula debe siempre conectarse al sistema o cerrarse debidamente (por ejemplo, soldando una placa).

Montaje

Elimine los residuos de soldadura y la suciedad de las tuberías y el cuerpo de la válvula antes de proceder a su montaje. Compruebe que las juntas tóricas se encuentren intactas antes de

sustituir el módulo de función. Si es posible, aplique aceite refrigerante para facilitar la inserción y proteger las juntas tóricas. Compruebe que la junta superior no presente daños. Si la superficie ha resultado dañada o la junta se ha doblado, sustituya la junta.

Apriete (fig. 6)

Apriete la tapa superior empleando una llave dinamométrica y de acuerdo con los pares de apriete especificados en la tabla.

Colores e identificación

Las válvulas ICLX vienen cincadas de fábrica. El cincado, no obstante, no protege las conexiones para soldar. Si se requiere mayor protección contra la corrosión, es posible pintar la válvula.

La superficie externa de la carcasa de la válvula debe protegerse frente a la corrosión aplicando un recubrimiento protector adecuado tras cualquier proceso de instalación que implique soldadura y la consecuente operación de montaje. Se recomienda proteger la placa de identificación antes de pintar la válvula.



Observaciones importantes acerca de las válvulas ICLX:

Las válvulas ICLX se mantienen en su posición de apertura por medio de gas caliente. El gas caliente se condensa en la válvula fría y produce líquido bajo el pistón servoaccionado. Cuando las válvulas piloto cambian de estado para cerrar la válvula ICLX, la presión en el pistón servoaccionado se iguala con la presión de aspiración a través de la válvula piloto. La igualación lleva tiempo debido a la presencia de líquido condensado en la válvula.

El tiempo exacto que transcurre entre el cambio de posición de las válvulas piloto y el cierre completo de la válvula ICLX depende de la temperatura, la presión, el refrigerante y el tamaño de la válvula. Por este motivo, no resulta posible especificar un tiempo de cierre exacto; sin embargo, en términos generales, cuanto menor sea la temperatura mayor será el tiempo de cierre.

Es muy importante tomar en consideración los tiempos de cierre a la hora de realizar el desescarche por gas caliente en los evaporadores. Se deben adoptar las precauciones oportunas para garantizar que la válvula de suministro de gas caliente no se abra antes de que la válvula ICLX de la línea de aspiración esté completamente cerrada. Si dicha válvula de suministro de gas caliente se abre antes de que la válvula ICLX de la línea de aspiración esté cerrada, se producirá una pérdida considerable de energía y podrían darse situaciones peligrosas debido al fenómeno del "golpe de ariete". En las válvulas ICLX, la segunda etapa, accionada por muelle, podría dar lugar a un "golpe de ariete" a causa del paso forzado de gas y líquido a través de la válvula con una $\Delta p > 1,5$ bar. El resultado final podría ser una válvula gravemente dañada.

Normalmente, puede emplearse un tiempo de cierre de 2 minutos como punto de partida. El tiempo de cierre óptimo para el sistema en cuestión deberá determinarse durante la puesta en marcha inicial de la planta en las condiciones de trabajo previstas. Se recomienda comprobar si es necesario cambiar el tiempo de cierre como resultado de un cambio en las condiciones (presión de aspiración, temperatura ambiente, etc.); asimismo, el tiempo de cierre debe comprobarse como parte de las labores de mantenimiento de la válvula. Una vez determinado el tiempo de cierre óptimo, se recomienda agregar al mismo un margen de seguridad de 30 segundos.

ESPAÑOL

Mantenimiento

Reparación

Las válvulas ICLX se pueden desmontar con fines de reparación.

La reparación de una válvula ICLX debe ser llevada a cabo exclusivamente por un ingeniero de refrigeración titulado y experto. No abra la válvula mientras se encuentre presurizada.

La presión se puede liberar abriendo con cuidado el eje de accionamiento manual. Los pequeños surcos dispuestos a lo largo de la rosca facilitarán la liberación del refrigerante a la atmósfera. Esta operación sólo debe llevarse a cabo una vez tomadas las medidas de seguridad que establezca la legislación local en vigor.

Con frecuencia, es posible retirar la cubierta y el módulo de función sin desmontar el conjunto (fig. 3a); no obstante, si las juntas tóricas internas se encuentran adheridas a la superficie metálica, el desmontaje deberá llevarse a cabo en 2 pasos (fig. 3b). En ambos casos, las piezas se pueden extraer empleando con cuidado 2 destornilladores.

Tras la apertura y la extracción del módulo de función:

- Compruebe que las juntas tóricas del módulo de función no hayan resultado dañadas. Puede que una válvula con una junta tórica dañada no funcione de acuerdo con sus especificaciones.
- La funda y el conjunto del pistón se pueden desmontar de acuerdo con las figs. 8b y 8c. Tenga cuidado al desmontar el anillo de retención (fig. 8b, pos. 6).

El anillo de retención (fig. 8b, pos. 6) se encuentra sometido a la fuerza ejercida por el muelle comprimido (fig. 8b, pos. 4).



Extreme la precaución para evitar dañar los dos asientos de sello ilustrados en las figs. 8b y 8c; cualquier deformación de la superficie de acero dará lugar a un funcionamiento deficiente de la válvula.

- Compruebe si los pistones, cilindros y placas de la válvula presentan desgaste o arañazos y sustitúyalos si es necesario.
- Compruebe que los pistones y asientos de la válvula puedan moverse libremente y sin sufrir demasiada fricción.

Sustitución de las placas de la válvula (piezas de desgaste normales)

Es posible sustituir las dos placas de PTFE de la válvula (fig. 8c, pos. 2 y pos. 5) siguiendo los pasos ilustrados en la fig. 9 y las instrucciones descritas a continuación:

La fig. 9a, pos.1, muestra un perfil hexagonal (herramienta) que encaja en el orificio hexagonal hembra del retén de sellado (pos. 3) del conjunto del pistón de las válvulas ICLX 50-65. En el caso de las válvulas ICLX 32-40, la herramienta debe ser un hexágono hueco que encaje en el hexágono macho.

A fin de mantener sujeto el conjunto al desenroscar el retén de sellado, se recomienda fijar dos pasadores de acero a un tornillo de banco (fig. 9a, pos. 2), de tal modo que encajen en los pequeños orificios hexagonales hembra de los pernos Allen (fig. 8c, pos. 9).

Una vez desmontado el retén de sellado, será posible extraer la placa de la válvula (pos. 4).

Extraiga un poco más los dos pasadores de acero fijados en el tornillo de banco (fig. 9b, pos. 2) para que el pistón de purga (fig. 9b, pos. 3) pueda caer y dejar al descubierto el anillo de orificios (pos. 4).

Una vez que los orificios se encuentren a la vista (pos. 4), inserte un pasador de acero (pos. 5) de diámetro adecuado a través de dos orificios opuestos y de la herramienta pos. 1 (u otra herramienta perforada similar).

Desenrosque el pistón principal (fig. 9b, pos. 6).

Para desmontar el retén de sellado restante, se recomienda emplear un mandril con tres puntos de sujeción para evitar la deformación de las superficies (fig. 9c).

Sujete con cuidado el pistón de purga al mandril por la superficie (pos. 1). Fije bien el mandril para que el pistón no pueda girar y desenrosque el retén de sellado empleando una herramienta fabricada específicamente para este propósito (pos. 2).

Una vez desmontado el retén de sellado, será posible extraer la otra placa de la válvula (pos. 3). Para volver a montar el conjunto del pistón, siga los pasos anteriores en orden inverso. Los pares de apriete de las distintas uniones se muestran en la fig. 9.

Montaje

Elimine la suciedad que pueda haberse acumulado en el cuerpo de la válvula antes de volver a montarla. Compruebe que ninguno de los canales de la válvula se encuentre obstruido por partículas o residuos de otro tipo.

Si es posible, aplique aceite refrigerante para facilitar la inserción y proteger las juntas tóricas.

Apriete (fig. 6)

Apriete la tapa superior empleando una llave dinamométrica y de acuerdo con los pares de apriete especificados en la tabla.

Cambio del modo de funcionamiento de dos etapas a una etapa

Las válvulas ICLX se suministran de fábrica configuradas en el modo de funcionamiento de dos etapas. Siga las instrucciones descritas a continuación para cambiar al modo de funcionamiento de una etapa y modificar la característica de apertura:

- Desmonte la tapa superior de la carcasa de la válvula (fig. 3).
- Cambie los dos pernos (fig. 8c, pos. 9) con la funda aún instalada en la carcasa de la válvula.
- La longitud de los pernos determina la característica de la válvula; use los que correspondan de acuerdo con la tabla (fig. 4).
- Monte de nuevo la válvula después de cambiar los pernos.

Dispositivo de apertura manual (fig. 7)

Modo de funcionamiento normal

Para que la válvula funcione normalmente bajo la influencia de las válvulas piloto de solenoide, el eje del dispositivo de accionamiento manual debe girarse en el sentido de las agujas del reloj hasta que el anillo de bloqueo (A) entre en contacto con el prensaestopas.

Apertura manual forzada

Para abrir la válvula manualmente, gire el eje del dispositivo de accionamiento manual en sentido contrario a las agujas del reloj hasta alcanzar el tope mecánico.

Puesta en servicio

El tiempo necesario para garantizar el cierre completo de una válvula ICLX depende del tamaño de la misma y la aplicación a la que está destinada, y debe determinarse in situ. El valor óptimo debe decidirse durante la puesta en servicio.

Use sólo piezas fabricadas por Danfoss (incluidas las juntas y juntas tóricas de repuesto). Los materiales con los que se fabrican las piezas poseen las homologaciones pertinentes para el refrigerante correspondiente. En caso de duda, póngase en contacto con Danfoss.

Las figuras deben emplearse exclusivamente con fines de referencia y no para el dimensionamiento o la construcción de instalaciones.

PORTUGUÊS

Instalação

Refrigerantes

Aplicável para HCFC, HFC, R717 (Amônia) e R744 (CO₂).

Não se recomenda o uso com hidrocarbonetos inflamáveis.

A válvula é recomendada apenas para uso em circuitos fechados. Para mais informações, entre em contato com a Danfoss.

**Observação:**

Os módulos de função ICLX somente podem ser usados em corpos de válvula produzidos a partir de dezembro de 2012, portanto, o código da semana impresso no corpo da válvula deve ser 4912 ou maior.

Faixa de temperatura

-60°C a +120°C (-76°F a +248°F)

Pressão

As válvulas foram projetadas para máxima pressão de trabalho de 52 bar g (754 psi g).

Aplicação

A ICLX é utilizada em linhas de sucção para abertura com alta pressão diferencial, como por exemplo após o degelo a gás quente em sistemas de refrigeração industrial de grande porte com amônia, refrigerantes fluorados ou CO₂.

A ICLX abre em duas etapas:

No primeiro estágio, abre aproximadamente 10% da capacidade, quando as válvulas solenoides piloto são ativadas.

No segundo estágio, ela se abre automaticamente depois que a pressão diferencial ao longo da válvula atinge aproximadamente 1 bar.

Pressão externa

A pressão externa aplicada à ICLX deve ser sempre 1,5 bar mais alta do que a pressão de entrada da válvula. Isso dará à válvula um MOPD de 28 bar. Se a pressão externa for 2 bar mais alta do que a pressão de entrada, a MOPD da ICLX será 40 bar.

Fiação elétrica

A válvula ICLX é normalmente fechada. Para garantir que a válvula opere sempre com a mesma eficiência dela fechada, é importante que o piloto EVM NC seja montado no acesso ao lado da entrada da pressão externa (fig. 2). Para modo de operação normal, ambos os pilotos devem ser energizados simultaneamente, por exemplo o mesmo sinal pode ser usado para ambos os pilotos.

Requisitos da bobina

Ambas as bobinas devem ser IP67.

EVM NC: 10W ca (ou mais alto) para MOPD de até 21 bar

EVM NC: 20W ca para MOPD 21 → 40 bar

EVM NO: 10W ca (ou mais alto)



A válvula terá mau funcionamento nos sistemas onde a pressão diferencial através da válvula em condições abertas normais exceda 1 bar (15 psig). Neste caso, o segundo estágio da válvula irá fechar.

Orientação

A válvula deve ser instalada com a seta na direção do fluxo e com os pilotos apontando em uma das direções apresentadas na fig. 1. Pilotos apontando para baixo (qualquer ângulo) não é possível. A tampa superior pode ser girada 4 X 90° em relação ao corpo da válvula.

Se a ICLX estiver instalada com uma orientação de piloto vertical (consulte a fig. 1), preste atenção para que o EVM NA esteja na posição inferior. Caso seja necessário, rode a tampa superior.

A válvula é encaixada com um eixo para abertura manual. Certifique-se de que a linha piloto externa esteja conectada ao lado superior da linha principal, de modo que não entre sujeira e óleo da instalação na linha piloto.

A válvula é projetada para suportar alta pressão interna. Entretanto, a tubulação deve ser projetada para evitar golpes de líquido e reduzir o risco de pressão hidráulica causada pela expansão térmica. Deve-se assegurar de que a válvula fique protegida contra transientes de pressão, como o "golpe de ariete".

Soldagem (fig. 5 e 8a)

A tampa superior (fig. 8a, pos. 2) e o módulo de função (fig. 8a, pos. 3), devem ser removidos antes da soldagem para evitar danos a o-rings e teflon (PTFE) no módulo da função. Normalmente, o módulo de função e a tampa podem ser removidos enquanto ainda estão montados (fig. 3a), mas se os O-rings internos colarem na superfície de metal, é necessário desmontar em 2 etapas (fig. 3b). Em ambos os casos, as peças podem ser retiradas com o uso cuidadoso de 2 chaves de fenda.

Observação: Remova todas as partes do corpo da válvula, antes de soldar (como mostrado na fig. 5).



As superfícies internas e conexões de solda da válvula fechada ICLX foram aplicadas com um tratamento anticorrosivo.

A fim de manter a eficácia deste tratamento anticorrosivo, é importante garantir que a válvula seja desmontada antes de iniciar o processo de soldagem.

Caso os módulos de função permaneçam desmontados mesmo que por um curto período, garanta que os módulos de função sejam protegidos colocando um saco de polietileno, ou através da aplicação de um agente de proteção anticorrosivo (por exemplo, óleo de refrigeração ou BRANOROL) nas superfícies.

Somente materiais e métodos de soldagem compatíveis com o material do corpo da válvula devem ser aplicados ao corpo da válvula.

Evite que caiam detritos e resíduos da soldagem no corpo da válvula e no módulo de função. O corpo da válvula deve ficar livre de tensões (cargas externas) após a instalação.

As válvulas não devem ser montadas em sistemas em que o lado de saída da válvula esteja aberto para a atmosfera. O lado de saída da válvula deve estar sempre conectado ao sistema ou adequadamente tapado, por exemplo, com uma placa de extremidade soldada.

Montagem

Remova os detritos da soldagem e qualquer sujeira dos tubos e do corpo da válvula antes da montagem. Verifique se o-rings estão intactos antes de substituir o módulo de função. Se possível, aplique um pouco de óleo de refrigeração para facilitar a inserção e para proteger os o-rings. Verifique se a gaxeta superior não foi danificada. Se a superfície for danificada ou a gaxeta for dobrada, ela deverá ser substituída.

Torque de aperto (fig. 6)

Aperte a tampa superior com uma chave de torque nos valores indicados na tabela.

Cores e identificação

As válvulas ICLX são cromadas com zinco na fábrica. A Cromatização de Zinco não cobre as conexões soldadas. Se for necessário mais proteção, as válvulas podem ser pintadas. A superfície externa do corpo da válvula deve ser protegida contra corrosão com uma camada protetora adequada após a instalação envolvendo a soldagem e, conseqüentemente, a montagem.

Recomenda-se proteger a placa de identificação quando a válvula é pintada.

**Nota importante para as válvulas ICLX:**

A válvula ICLX é mantida em posição aberta através do acionamento de gás quente. O gás quente condensa-se devido a baixa temperatura da válvula isto proporciona a formação de líquido sob o servo-pistão. Quando os pilotos solenóides mudarem seu estado para fechar a ICLX, a pressão no servo-pistão fica equilibrada com a pressão de sucção através do piloto solenóide.

Essa equalização leva tempo, porque há líquido condensado na válvula. O tempo exato decorrido desde quando as válvulas piloto mudam a posição para concluir o fechamento da ICLX irá depender da temperatura e pressão do refrigerante, assim como o tamanho da válvula. Logo o tempo exato de fechamento para as válvulas não pode ser determinado, mas em geral em temperaturas mais baixas os tempos de fechamento se tornam mais longos.

É muito importante levar em consideração os tempos de fechamento quando o descongelamento por gás quente é realizado em evaporadores.

Além disso, devem ser tomadas medidas para garantir que a válvula de fornecimento de gás quente para o degelo não seja aberta antes de que a ICLX na linha de sucção esteja completamente fechada. Se a válvula de fornecimento de gás quente for aberta antes que ICLX na linha de sucção, além de proporcionar perda de energia, provocará situações potencialmente perigosas que podem surgir devido ao "golpe hidráulico/ ariete". Em válvulas ICLX, a segunda etapa acionada por mola pode ser induzida a golpes por gás e líquido, sendo forçada pela válvula a um Δp 1,5 bar em toda a ICLX. O resultado final pode provocar graves danos à válvula.

Como regra geral, um tempo de fechamento de 2 minutos pode ser usado como um ponto de partida. O tempo de fechamento ideal para cada sistema individual deve ser determinado no arranque inicial da fábrica, nas condições operacionais desejadas. Recomenda-se verificar se o tempo de fechamento adotado necessita ser alterado após atingir as condições de regime operacional (pressão de sucção, temperatura da válvula, ambiente, etc.). Quando o tempo ideal de fechamento for identificado, recomenda-se adicionar uma margem de segurança de 30 seg. ao encerramento ideal.

PORTUGUÊS

Manutenção

Manutenção

As válvulas ICLX podem ser desmontadas para fins de manutenção.

Somente engenheiros de refrigeração qualificados e treinados estão autorizados a operar as válvulas ICLX. Não remova a válvula enquanto a mesma ainda estiver sob pressão.

O alívio da pressão pode ser feito abrindo-se cuidadosamente o eixo de operação manual. Pequenas fissuras ao longo da rosca liberarão refrigerante para a atmosfera. Esta operação só deve ser feita depois de tomadas as devidas medidas preventivas referentes à legislação local. Normalmente, o módulo de função e a tampa podem ser removidos enquanto ainda estão montados (fig. 3a), mas se os O-rings internos colarem na superfície de metal, é necessário desmontar em 2 etapas (fig. 3b). Em ambos os casos, as peças podem ser retiradas com o uso cuidadoso de 2 chaves de fenda.

Após a abertura e remoção do módulo de função:

- Verifique se os o-rings no módulo de função não foram danificados. Uma válvula com um o-ring danificado não pode operar de acordo com a especificação.
- O conjunto do inserto e do pistão pode ser desmontado de acordo com as figuras 8b e 8c. Tenha cuidado ao remover o anel de retenção (Fig. 8b, pos. 6), pois ele (Fig. 8b, pos. 6) está submetido à força da mola comprimida (fig. 8b, pos. 4).



Tenha cuidado para não danificar os dois assentos de vedação mostrados na fig. 8b e 8c uma vez que qualquer deformação da superfície do aço irá conduzir a um mau funcionamento da válvula.

- Verifique pistões, cilindros e placas de válvulas por desgaste e arranhões e substitua-os se necessário.
- Verifique se o movimento dos pistões e dos assentos da válvula estão livres e com baixo atrito.

Substituição das Placas da Válvula (peças de desgaste comum)

É possível substituir as duas placas da válvula PTFE (fig. 8c, pos. 2 e pos. 5), seguindo a fig. 9 e estas instruções:

Fig. 9a, pos. 1 mostra um perfil sextavado (ferramenta) que se encaixa no orifício hexagonal fêmea no retentor de vedação (pos. 3) do conjunto do pistão do ICLX 50 – 65.

Para ICLX 32 – 40 a ferramenta correspondente deve ser um hexágono oco para encaixar no hexágono macho.

Como mecanismo de proteção ao desparafusar o retentor de vedação, recomenda-se fazer um arranjo de dois pinos de aço que se encaixam no pequenos orifícios hexagonais fêmeas dos parafusos Allen (fig. 8c, pos. 9), fixadas em um torno (fig. 9a, pos. 2).

Uma vez removido o retentor de vedação, a placa da válvula (pos. 4) pode ser retirada.

Posicione os pinos de aço (fig. 9b, pos. 2) em um ponto mais alto para permitir que o pistão (fig. 9b, pos. 3) escorregue para baixo, expondo um anel com perfurações (pos. 4).

Havendo acesso aos orifícios (pos. 4), um pino com diâmetro semelhante (pos. 5) é inserido do lado oposto com a ferramenta pos. 1 (ou semelhante) no meio.

Desparafuse o pistão principal (fig. 9b, pos. 6).

Para a desmontagem do último retentor de vedação, é recomendável a utilização de um mandril com três pontas suspensas para evitar a deformação das superfícies (fig. 9c).

Prenda o pistão de purga com cuidado ao mandril na superfície pos.1. Bloqueie a rotação do mandril e solte o retentor de vedação com uma ferramenta (pos. 2) fabricada para esse fim. Quando o retentor de vedação for removido, a placa da válvula (pos. 3) pode ser retirada. A remontagem do conjunto do pistão é feita na ordem inversa. Os valores do torque para as diferentes juntas são mostrados na fig. 9.

Montagem

Remova qualquer resíduo do corpo antes de montar a válvula. Assegure-se de que os canais da válvula não estejam bloqueados por partículas.

Se possível, aplique um pouco de óleo de refrigeração para facilitar a inserção e para proteger os o-rings.

Torque de aperto (fig. 6)

Aperte a tampa superior com uma chave de torque nos valores indicados na tabela.

Mudando da função de dois estágios para um estágio

A válvula ICLX é configurada de fábrica com dois estágios de abertura. Para mudar as características de abertura para um só estágio, faça o seguinte:

- Remova a tampa superior do corpo da válvula (fig. 3).
- Troque os dois parafusos (fig. 8c, pos. 9), com o inserto ainda no corpo da válvula.
- O comprimento dos dois parafusos corresponde à característica desejada da válvula e deve ser aplicado de acordo com a tabela (fig. 4).
- Depois de trocar os parafusos, a válvula pode ser remontada.

Dispositivo de abertura manual (fig. 7)

Modo de operação normal

Para que a válvula opere normalmente sob a influência das válvulas piloto, o eixo do dispositivo de operação manual precisa ser convertido completamente no sentido horário até que o anel de bloqueio (A) fique na parte superior da prensa cabo.

Abertura manual forçada

Para abrir manualmente a válvula, o eixo do dispositivo de operação manual precisa ser convertido completamente no sentido anti-horário até atingir o batente mecânico.

Comissionamento

O tempo necessário para garantir o fechamento completo da válvula ICLX depende do tamanho e aplicação da válvula, e deve ser investigado no local. O ideal deve ser determinado durante o comissionamento.

Utilize somente peças originais Danfoss, incluindo O-rings e gaxetas para as substituições. Os materiais das peças novas são certificados para o refrigerante relevante. Em caso de dúvidas, entre em contato com a Danfoss.

Os desenhos são apenas para ilustração, não para o dimensionamento ou construção.

安装

制冷剂

适用于 HCFC、HFC、R717 (氨) 和 R744 (二氧化碳)。

不推荐易燃的碳氢制冷剂。

阀门应使用在密封的制冷系统内部。详情请洽 Danfoss。



请注意：

ICLX 功能模块只能用在 2012 年第 49 周当周或之后生产的阀体内，因此阀体上的生产日期（周数编号）必须是 4912 或更高。

温度范围

-60/+120°C (-76/+248°F)

压力

阀门的最大工作压力为 52 bar g (754 psi g)。

应用

ICLX 一步或两步开启式电磁阀可以应用于制冷系统的吸入管路中，用于在高压差情况下，实现阀门的安全开启，其典型应用是在大型工业制冷系统中，用作热气融霜的蒸发器回气管电磁阀。例如采用氨、氟化制冷剂或 CO₂ 的大型工业制冷系统在热气融霜后。

ICLX 分两步开启：

第一步是在先导电磁阀通电后开启大约 10% 的容量。
第二步是在阀门压差达到大约 1 bar 时自动打开。

外部压力

对 ICLX 施加的外部压力应该总是比阀门入口压力至少高出 1.5 bar。这会让阀门的 MOPD 达到 28 bar。如果外部压力比阀门入口压力高出 2 bar，ICLX 的 MOPD 将达到 40 bar。

电气连接

ICLX 阀门采用常闭型设计。为了确保阀门以常闭方式工作，必须在靠近外部压力入口处的先导孔上安装 EVM NC 电磁阀。要让阀门在正常模式下工作，需要同时对两个导阀通电，也就是说，两个导阀可以共用一个信号。

线圈要求

两个线圈的防护等级都必须达到 IP67。
EVM NC: 10W ac (或更高) —— MOPD 不超过 21 bar 的情况下

EVM NC: 20W ac, MOPD 为 21 → 40 bar 的情况下

EVM NO: 10W ac (或更高)



如果阀门处于常开状态下的压差超过 1 bar (15 psig) 时，阀门会功能失常。这种情况下，阀门关闭第二步开启的部分。

指南

安装阀门时，箭头必须和流向保持一致，且导阀必须指向图 1 中所示的某一个方向。禁止将导阀朝下（任何角度）安放。可将顶盖相对于阀体旋转 4 个 90°。

如果在安装 ICLX 阀门时，使导阀沿垂直方向放置（见图 1），注意要使常开型 EVM 处于较低位置。必要时请旋转顶盖。

阀门配有一个手动阀杆，可以手动控制阀门启闭。如使用外接导阀，则导阀需连接在主管路的前端，以防止系统中的污物和油进入导阀管路。

阀门可以承受很高的内部压力。尽管如此，管道系统的设计应避免有存液湾，防止出现热膨胀造成的液压风险。管路的设计应考虑对系统中出现瞬时“液击”现象的有效防护。

焊接（图 5 和 8a）

焊接之前必须移除顶盖（图 8a, 位置 2）和功能模块（图 8a, 位置 3），以免 O 型圈和功能模块内的特氟龙（PTFE）受损。

通常来说，顶盖和功能模块即使仍然为组装状态也仍然能够拆卸下来（图 3a），但是如果内部 O 型圈粘到了金属表面上，那么就有必要采用两个步骤来进行分解（图 3b）。在这两种情况下，都可以使用两把螺丝刀小心仔细地把部件抬起来。

注意：焊接前必须从阀体上拆下所有元件（如图 5 所示）。



密封的 ICLX 阀门的内表面和焊接端都采用了抗腐蚀处理工艺。

为了维护抗腐蚀的有效性，务必确保阀体在焊接或铜焊过程前已移除。

如果功能模块拆卸后要放置一段时间，请确保其在拆卸后装入聚乙烯保护袋，或者在其表面进行防锈处理（例如冷冻油或 BRANOROL）。

焊接过程中，需要保证焊料和焊接方法适用于阀体的材质，选择合适的焊料和正确的焊接方法。

为避免焊渣及污垢进入阀体和功能模块，装配完成后请一定确保内部不受外部附加压力。

严禁将阀门在系统安装时将出口不加保护直接向大气开放，这可能导致严重的安全事故。如果一定要安装在没有管路的阀门出口位置，请将阀门出口用管路和系统连接，或用焊接盲板将阀门出口封死以保证系统安全。

组装

装配前请清理管道和阀体内的焊渣及污垢。在更换功能模块之前请检查 O 型圈是否完好无损。如有条件，请在安装过程中辅助添加润滑油，以减小插入时的阻力，保护 O 型圈。请检查顶部的垫圈是否完好。如果垫圈表面受损或者弯曲，必须进行更换。

紧固（图 6）

按照表中给出的力矩值，用转矩扳手上紧顶盖。

色彩和识别

ICLX 阀门在出厂时经过镀锌处理。焊接端未镀锌。如果需要加强保护，可以在阀门上喷漆。完成焊接、装配等安装程序后，必须用适当的优质漆料，对阀体的外表面进行抗腐蚀保护。建议在重新喷漆时，做好对信息识别（ID）牌的保护。



关于 ICLX 阀门的重要说明：

ICLX 阀门在热气作用下保持开通。热气在冷的阀门内冷凝，在伺服活塞下方冷凝为液体。当导阀改变状态以关闭 ICLX 时，伺服活塞下的压力与经过导阀（位置 2）的吸气压力将趋于平衡。达到平衡需要一段时间，因为阀体内存在冷凝液体。
从导阀开关发生变化到 ICLX 完全关闭，所需的确切时间取决于温度、压力、制冷剂 and 阀门尺寸。因此，我们无法准确给出阀门关闭所需的时间，但一般来说，温度越低，时间越长。

对蒸发器进行热气除霜时，必须考虑阀门关闭所需的时间，这非常重要。必须采取相关措施，确保吸入管路中的 ICLX 完全关闭之前，热气供给阀不会打开。如果吸入管路中的 ICLX 尚未关闭，热气阀就已打开，则会造成大量的能量流失，还可能因为“液击”而发生危险。在弹簧处于被压缩的第二阶段，如果气体和液体在 ICLX 压差 $\Delta p > 1.5 \text{ bar}$ 的情况下通过阀门，就会造成液击。最终可能使阀门严重受损。

根据经验，开始的时候通常可以设定 2 分钟的关闭时间。工厂在所需工作条件下初始启动之时，就必须为每个单独的系统确定其最佳的关闭时间。如果工作条件发生改变（比如吸气压力、环境温度等发生了改变），最好检查一下关闭时间是否需要作相应改变，另外在阀门运行期间也应检查关闭时间。
在确定最佳关闭时间之后，建议在此之上再增加 30 秒的安全余量。

维护

服务

ICLX 阀门拆卸方便，便于维修。

只允许通过专业训练的制冷工程师对 ICLX 阀门进行检修。
切勿在阀门承压的情况下拆开阀门。

如需泄压，请小心打开手动阀杆。制冷剂会沿着螺纹旁的小凹槽排放到

周围空气中。进行此项操作时，必须依照当地法律法规采取适当的措施。

通常来说，顶盖和功能模块即使仍然为组装状态也仍然能够拆卸下来（图 3a），但是如果内部 O 型圈粘到了金属表面上，那么就有必要采用两个步骤来进行分解（图 3b）。在这两种情况下，都可以使用两把螺丝刀小心仔细地把部件抬起来。

拆开并取出功能模块后：

- 检查功能模块上的 O 型圈是否受损。O 型圈受损可能导致阀门无法按规格要求正常工作。
- 插入件和活塞组件的拆卸过程如图 8b 和 8c 所示。拆卸扣环时须小心谨慎（图 8b, 位置 6）。扣环（图 8b, 位置 6）将承受来自压缩弹簧（图 8b, 位置 4）的压力。



注意不要损坏图 8b 和 8c 中的两个密封阀座，因为钢表面一旦发生任何程度的变形，都会导致阀门功能失常。

- 检查活塞、柱体和阀垫的磨损及刮擦情况，必要时予以更换。
- 检查活塞和阀座能否自由运动，摩擦力是否足够低。

中文

更换阀垫（正常磨损元件）

两个 PTFE 阀垫（图 8c, 位置2和位置5）是可以更换的，方法如图9所示。

图 9a 的位置1是一个六角型材（工具），它装在 ICLX 50-65 活塞组件的密封阀座（位置3）的六角形母端接口中。
ICLX 32-40 对应的是一个中空六角形工具，装在六角形公端接口中。

拆卸密封承座时，建议用台钳夹住两个钢销，将它们装入六角螺栓（图 8c, 位置9）的六角形小螺孔中。

拆下密封阀座后，便可以向上取出阀垫（位置4）。

用钳子抬高两个钢销（图 9b, 位置2），让泄流活塞（图 9b, 位置3）向下滑，露出一圈小孔（位置4）。

露出小孔（位置4）后，将一个直径相配的钢销（位置5）插入两个相对的小孔中，位置1的工具（或类似的夹具）位于中央。

拧松主活塞（图 9b, 位置6）。

拆卸最后一个密封承座时，建议用一个三点悬架夹套来操作，以免表面变形（图 9c）。

小心夹住泄流活塞，置于表面位置1的芯轴上。阻止芯轴旋转，再用专用工具（位置2）拧松密封阀座。

拆下密封阀座后，可以将剩下的阀垫（位置3）装回去。

按照相反的顺序，将活塞组件重新装配好。不同接点的扭矩值如图9所示。

组装

在组装阀门之前应清除阀体上的所有灰尘。检查阀门的各个通道，确保未被颗粒或类似物体阻塞。

如有可能，在上面涂一些冷冻油，以减小插入时的阻力，保护 O 型圈。

紧固（图6）

按照表中给出的力矩值，用转矩扳手上紧顶盖。

从两步式改为

一步式

ICLX 阀门在出厂时被设置为两步式。要将开通特性改为一步式，必须依照下列步骤进行：

- 从阀壳上取下顶盖（图3）。
- 更换两颗螺栓（图 8c, 位置9），同时让插入件留在阀壳内。
- 两颗螺栓的长度对应于所需的阀门特性，应当按照表格选用（图4）。
- 更换螺栓后，将阀门重新装配好。

手动开通装置（图7）

正常工作模式

要让阀门在导阀的影响下正常工作，须将手动操作装置的旋杆沿顺时针方向旋转，直至锁环（A）位于填料函的顶部。

手动强制开通

要手动开通阀门，需要逆时针旋转手动阀杆，直至碰到机械挡块。

调试

ICLX 阀门完全关闭所需的时间取决于阀门尺寸和应用，这要在现场确定。调试时应当确定最佳条件。

只可使用 Danfoss 原厂元件，包括用于更换的 O 型圈和垫片。新零件的材料应经证明适合相关制冷剂。

如有疑问请与 Danfoss 联系。

图示仅用于说明，并不表示实际的尺寸或结构。

Montaż zaworu

Czynniki chłodnicze

Dotyczy czynników chłodniczych HCFC, HFC, R717 (amoniak) i R744 (CO₂).

Nie zaleca się stosowania z łatwopalnymi węglowodorami.

Zaleca się stosować wyłącznie w obiegach zamkniętych. Aby uzyskać więcej informacji, należy skontaktować się z Danfoss.



Ważne:

Zawory ICLX można stosować wyłącznie w korpusach wyprodukowanych w i po 49 tygodniu 2012 roku w związku z tym numer kodu tygodnia widoczny na korpusie musi być 4912 lub późniejszy.

Zakres temperatur

-60/+120°C (-76/+248°F)

Cisnienie

Maksymalne ciśnienie robocze zaworów wynosi 52 bary (g) (754 psi (g)).

Zastosowanie

Zawory ICLX wykorzystuje się w rurociągach elektrycznych do otwierania przy wysokich różnicach ciśnień, np. po odszranianiu gorącym gazem w dużych przemysłowych instalacjach chłodniczych, w których stosuje się amoniak, fluorowcopochodne czynniki chłodnicze lub CO₂.

Zawory ICLX otwierają się dwustopniowo:

W pierwszym stopniu otwarcia, po wzbudzeniu elektromagnetycznych zaworów pilotowych, przepustowość wynosi około 10%.

Drugi stopień otwiera się automatycznie, gdy różnica ciśnień przed i za zaworem osiągnie wartość około 1,25 bara.

Cisnienie sterujące

Cisnienie sterujące doprowadzane do zaworu ICLX zawsze powinno być o 1,5 bara wyższe od ciśnienia na wlocie do zaworu. Dzięki temu maksymalna różnica ciśnień otwarcia (MOPD) zaworu wynosząca będzie 28 barów. Jeśli ciśnienie sterujące będzie o 2 bary wyższe od ciśnienia wlotowego, maksymalna różnica ciśnień otwarcia (MOPD) zaworu ICLX wyniesie 40 barów.

Połączenia elektryczne

Zawór ICLX jest zaworem normalnie zamkniętym. Aby zapewnić, że będzie on pracował jak zawór normalnie zamknięty, ważne jest, aby zamontować elektromagnetyczny zawór pilotowy, normalnie zamknięty (NC) w gnieździe zaworu głównego, znajdującym się obok wlotu ciśnienia sterującego (rys. 2). W przypadku trybu normalnej pracy do obu zaworów pilotowych należy równocześnie doprowadzić zasilanie, tzn., że dla obu zaworów sterujących można zastosować ten sam sygnał.

Wymagania dotyczące cewek

Obie cewki muszą być wykonane w klasie ochrony IP67.

EVM NC: 10 W AC (lub więcej) dla MOPD do 21 barów

EVM NC: 20 W AC dla MOPD 21 → 40 barów

EVM NO: 10 W AC (lub więcej)



Zawór będzie działał wadliwie, gdy podczas przepływu czynnika chłodniczego różnica ciśnień przed i za zaworem przekroczy 1 bar (15 psig). W takim przypadku w drugim stopniu pracy nastąpi zamknięcie zaworu.

Ustawienie

Zawór należy zamontować w taki sposób, aby strzałka wskazywała kierunek przepływu, a zawory pilotowe były zwrócone w jedną ze stron pokazanych na rys. 1. Montaż z zaworami pilotowymi skierowanymi w dół (pod jakimkolwiek kątem) jest niemożliwy. Górną pokrywę można obracać o kąt 4 x 90° względem korpusu zaworu.

Jeśli zawór ICLX jest montowany z zaworami pilotowymi ustawionymi pionowo (patrz rys. 1), należy pamiętać, że zawór EVM NO powinien znajdować się na dole. W razie potrzeby należy obrócić górną pokrywę.

Zawór wyposażono w mechanizm ręcznego otwierania. Należy zwrócić uwagę, aby rurociąg ciśnienia sterującego został podłączony od góry do rurociągu głównego, aby zabrudzenia i olej pochodzący z instalacji nie dostawał się do mechanizmu sterującego.

Zawór został tak zaprojektowany, aby wytrzymał wysokie ciśnienie. Jednak układ rurociągów powinien być zaprojektowany tak, aby uniknąć zamkniętych przestrzeni cieczowych i zmniejszyć ryzyko wzrostu ciśnienia spowodowanego rozszerzalnością cieplną. Należy zapewnić ochronę zaworu przed impulsami wysokiego ciśnienia wynikającymi z uderzeń cieczowych.

Spawanie (rys. 5 i 8a)

Pokrywą górną (rys. 8a, poz. 2) i moduł roboczy rys. 8a, 3 należy zdjąć przed spawaniem, aby zapobiec uszkodzeniu pierścienia O-ring i teflonu (PTFE).

Często pokrywę i moduł roboczy można zdjąć bez demontowania urządzenia (rys. 3a). Jednak jeśli wewnętrzne pierścienie o-ring przylgną do metalowej powierzchni, urządzenie należy zdemontować w 2 krokach (rys. 3b). W obu przypadkach elementy można delikatnie wyjąć za pomocą 2 śrubokrętów.

Uwaga: Przed spawaniem należy usunąć wszelkie części z korpusu zaworu (patrz rys. 5).



Na powierzchniach wewnętrznych i końcówkach do spawania obudowanego zaworu ICLX zastosowano zabezpieczenie antykorozyjne.

Aby zachować skuteczność tego zabezpieczenia antykorozyjnego, ważnym jest, by dopilnować, żeby zawór został zdemontowany tuż przed rozpoczęciem spawania.

W przypadku, gdy moduł roboczy trzeba pozostawić zdemontowany nawet na krótko, należy zapewnić dodatkową ochronę, umieszczając go w polietylenowym worku lub nakładając na powierzchnie środek antykorozyjny (np. olej chłodniczy lub olej antykorozyjny BRANOROL).

Do spawania korpusu zaworu można stosować wyłącznie materiały i metody spawania odpowiednie z materiałem korpusu.

Nie pozostawiać okruchów spawalniczych ani zanieczyszczeń w korpusie zaworu i module

roboczym. Po zamontowaniu korpusu zaworu nie może być naprężony (obciążony zewnętrznymi).

Zaworów nie wolno montować w instalacjach, w których wylot zaworu jest otwarty do atmosfery. Wylot zaworu musi być zawsze przyłączony do instalacji lub należyście zaślepić np. przyspawaną dennicą.

Montaż

Przed złożeniem zaworu należy usunąć z rur oraz z korpusu zaworu okruchy spawalnicze

i wszelkie zanieczyszczenia. Przed ponownym założeniem modułu roboczego sprawdź, czy pierścienie O-ring są nienaruszone. O ile to możliwe nałóż trochę oleju chłodniczego, aby ułatwić wsunięcie modułu i zabezpieczyć pierścienie O-ring. Sprawdź, czy uszczelka górna nie uległa uszkodzeniu. W przypadku uszkodzenia powierzchni lub wygięcia uszczelki należy ją wymienić.

Dokręcanie (rys. 6)

Pokrywą górną dokręć kluczem dynamometrycznym momentem podanym w tabeli.

Kolory i identyfikacja

Zawory ICLX są fabrycznie zabezpieczone powłoką chromowo-cynkową. Powłoka chromowo-cynkowa nie pokrywa końcówek do spawania. Jeśli wymagana jest większa ochrona antykorozyjna, zawory można pomalować.

Po złożeniu i zamontowaniu zaworu, zewnętrzną powierzchnię korpusu należy zabezpieczyć odpowiednią powłoką ochronną.

Przed przystąpieniem do malowania zaworu zaleca się zabezpieczenie tabliczki znamionowej.



Uwaga ważna dla zaworów ICLX:

Zawór ICLX jest utrzymywany w pozycji otwartej przez ciśnienie gorącego gazu. Gorący gaz skrapla się w zimnym zaworze, co powoduje zbieranie się cieczy pod tłokiem serwo-mechanizmu. Gdy zawory pilotowe zmieniają stan w celu zamknięcia zaworu ICLX, ciśnienie pod tłokiem serwo-mechanizmu wyrównuje się z ciśnieniem za zaworem przez zawór pilotowy. Wyrównywanie ciśnień wymaga czasu, ponieważ w zaworze znajduje się skroplony płyn.

Dokładny czas wymagany od zmiany położenia zaworów pilotowych do pełnego zamknięcia zaworu ICLX zależy od temperatury, ciśnienia, czynnika chłodniczego i wielkości zaworu. Z tego względu nie można podać dokładnego czasu zamknięcia zaworów, ale ogólnie rzecz ujmując, niższe temperatury powodują, że czasy zamykania są dłuższe.

Bardzo ważne jest, aby wziąć pod uwagę czasy zamykania zaworów, przy przeprowadzaniu odtajania parowników gorącym gazem. Muszą być podjęte kroki, zapewniające, że zawór doprowadzający gorący gaz do chłodnicy nie będzie otwarty przed całkowitym zamknięciem zaworu ICLX w przewodzie ssawnym. Jeśli zawór doprowadzający gorący gaz zostanie otwarty przed zamknięciem zaworu ICLX w przewodzie ssawnym, nastąpi strata znacznej ilości energii i mogą powstać niebezpieczne sytuacje wynikające z uderzeń hydraulicznych. W zaworach ICLX drugi stopień, otwierany jest siłą sprężyny, i może nastąpić jego zamknięcie jeżeli spadek ciśnienia na zaworze, powstający na skutek przepływu czynnika wyniesie $\Delta p > 1,5$ bara. Końcowym rezultatem mogłoby być poważne uszkodzenie zaworu.

Za punkt wyjścia przyjmuje się czas zamykania wynoszący 2 minuty. Optymalny czas zamykania dla każdego systemu musi zostać określony przy pierwszym uruchomieniu instalacji w planowanych warunkach eksploatacyjnych. Zalecane jest sprawdzenie, czy czas zamykania musi zostać zmieniony w przypadku zmiany warunków (ciśnienia ssania, temp. otoczenia itp.). Ponadto czas zamykania należy sprawdzać podczas serwisowania zaworu. Po dobraniu optymalnego czasu zamykania zaleca się dodanie marginesu bezpieczeństwa wynoszącego 30 sekund do optymalnego czasu zamykania.

Serwis

Zawory ICLX mogą być rozmontowane w celach serwisowych.

Wyłącznie wykwalifikowani i przeszkoleni technicy urządzeń chłodniczych mogą serwisować zawory ICLX.

Gdy wewnątrz zaworu nadal panuje ciśnienie, nie wolno go otwierać.

Ciśnienie można zredukować, ostrożnie wkręcając wrzeciono otwierania ręcznego. Niewielkie rowki wzdłuż gwintu pozwolą wypuścić czynnik chłodniczy na zewnątrz. Czynność tą należy przeprowadzić dopiero po zapewnieniu odpowiednich środków ostrożności zgodnych z lokalnymi przepisami. Często pokrywę i moduł roboczy można zdjąć bez demontowania urządzenia (rys. 3a). Jednak jeśli wewnętrzne pierścienie o-ring przylgną do metalowej powierzchni, urządzenie należy zdemontować w 2 krokach (rys. 3b). W obu przypadkach elementy można delikatnie wyjąć za pomocą 2 śrubokrętów.

Po otwarciu i wyjęciu modułu roboczego:

- Sprawdzić, czy pierścienie O-ring modułu roboczego nie uległy uszkodzeniu. Zawór z uszkodzonym pierścieniem O-ring może nie działać zgodnie z przeznaczeniem.
- Zespół korpusu i tłoka można zdemontować zgodnie z rys. 8b i 8c. Podczas wyjmowania pierścienia ustalającego należy zachować ostrożność (rys. 8b, poz. 6). Na pierścieniu ustalającym (rys. 8b, poz. 6) będzie działać siła pochodząca od ściśniętej sprężyny (rys. 8b, poz. 4).



Należy zwrócić uwagę, aby nie uszkodzić dwóch gniazd uszczelnienia pokazanych na rys. 8b i 8c, gdyż każde odkształcenie stalowej powierzchni spowoduje wadliwe działanie zaworu.

- Sprawdzić tłoki, cylindry i płytki zaworu pod względem zużycia i uszkodzeń, a w razie potrzeby wymienić.
- Sprawdzić, czy tłoki i grzybki zaworów poruszają się swobodnie przy niewielkim tarciu.

Wymiana uszczelek zaworowych (części podlegających normalnemu zużyciu)

Dwie uszczelki, wykonane z PTFE rys. 8c, (2) i (5) można wymienić zgodnie z rys. 9 oraz poniższymi instrukcjami:

Na rys. 9a, pokazano narzędzie - pręt sześciokątny (1), który wchodzi w otwór sześciokątny w elemencie ustalającym uszczelnienia (3) zespołu tłoka w modułach roboczych ICLX 50-65. W przypadku modułów roboczych ICLX 32-40 odpowiednie narzędzie musi mieć sześciokątny otwór, który będzie pasować do sześciokątnego kształtu końcówki.

Zaleca się, aby w celu odkręcenia elementu ustalającego uszczelnienia wykonać mocowanie z dwóch stalowych kołków, zaciśniętych w imadle rys. 9a, (2), które będą pasować do małych otworów sześciokątnych w śrubach imbusowych rys. 8c, (9).

Gdy element ustalający uszczelnienia zostanie już usunięty, będzie można unieść i wyjąć płytkę zaworu (4).

Te dwa stalowe kołki rys. 9b, (2) należy wysunąć do góry z imadła, aby umożliwić wsunięcie tłoka pomocniczego rys. 9b, (3) i odsłonięcie powierzchni z otworami (4).

Gdy otwory będą już odsłonięte (4), należy wprowadzić stalowy kołek (5) o odpowiedniej średnicy przez dwa przeciwległe otwory oraz wsunąć do otworu narzędzie (1) (dla ICLX 32-40 nasunąć podobne narzędzie z wykonanym otworem).

Odkręcić tłok główny rys. 9b, (6).

Aby podczas demontażu ostatniego elementu ustalającego uszczelnienia uniknąć odkształcenia powierzchni, zaleca się użycie uchwyty tokarskiego (rys. 9c).

Powierzchnię tłoka pomocniczego (1) ostrożnie zacisnąć w uchwycie. Zablokować uchwyt przed obracaniem i odkręcić element ustalający uszczelnienia za pomocą narzędzia (2) wykonanego w tym celu. Gdy element ustalający uszczelnienia zostanie usunięty, będzie można wymienić drugie uszczelnienie zaworu (3). Ponowny montaż zespołu tłoka przeprowadza się w odwrotnej kolejności. Wartości momentów obrotowych dla różnych połączeń podano na rys. 9.

Montaż

Przed zmontowaniem zaworu oczyścić dokładnie wnętrze korpusu. Sprawdzić, czy wszystkie kanały w zaworze są drożne i nie zostały zablokowane cząstkami lub innymi zanieczyszczeniami. O ile to możliwe nałożyć nieco oleju chłodniczego, aby ułatwić wsunięcie modułu i zabezpieczyć pierścienie O-ring.

Dokręcanie (rys. 6)

Pokrywą górną dokręcić kluczem dynamometrycznym momentem podanym w tabeli.

Zmiana trybu pracy dwustopniowej na jednostopniową

Zawór ICLX jest ustawiony fabrycznie jako dwustopniowy. Aby zmienić sposób otwierania na należy wykonać następujące czynności:

- Zdemontować górną pokrywą korpusu zaworu (rys. 3).
- Zamienić dwie śruby rys. 8c, (9), bez wyjmowania modułu roboczego zaworu.
- Długość tych dwóch śrub odpowiada požądanej charakterystyce pracy zaworu i powinna być zgodna z wartościami podanymi w tabeli (rys. 4).
- Po zamianie śrub zawór można ponownie zmontować.

Mechanizm ręcznego otwierania (rys. 7)

Tryb pracy normalnej

Aby zawór pracował normalnie pod wpływem działania zaworów pilotowych, wrzeciono mechanizmu ręcznego otwierania należy wkręcić zgodnie z ruchem wskazówek zegara aż pierścien ustalający (A) oprze się na dławownicy.

Wymuszone ręczne otwarcie

Aby ręcznie otworzyć zawór, wrzeciono mechanizmu ręcznego otwierania należy wykręcić przeciwnie do ruchu wskazówek zegara aż do osiągnięcia oporu mechanicznego.

Rozruch

Czas niezbędny dla zapewnienia pełnego zamknięcia zaworu ICLX zależy od wielkości zaworu i jego zastosowania. Parametr ten należy sprawdzić po zamontowaniu. Optymalny czas należy określić w trakcie rozruchu.

Używać wyłącznie oryginalnych części zamiennych Danfoss, łącznie z pierścieniami O-ring i uszczelnieniami. Materiały nowych części posiadają atest potwierdzający możliwość użytkowania ich z danym czynnikiem chłodniczym.

W razie wątpliwości należy skontaktować się z firmą Danfoss.

Rysunki mają wyłącznie charakter poglądowy, nie odzwierciedlają ani wymiarów ani budowy.

РУССКИЙ

Монтаж

Хладагенты

Применяется к ГХФУ, ГФУ, R717 (аммиак) и R744 (CO₂).

Не рекомендуется использование для работы с горючими углеводородными соединениями.

Рекомендуется использовать клапан только в замкнутых контурах. Для получения более подробной информации обращайтесь в компанию Danfoss.



Обратите внимание:

Функциональные модули ICLX могут использоваться только в корпусах, изготовленных на 49 неделе 2012 года или после нее; поэтому на корпусе должен быть указан код недели 4912 или более.

Диапазон температуры

-60/+120°C (-76/+248°F)

Давление

Все клапаны разработаны для работы при максимальном давлении в 52 бар (изб.) (754 фунт/кв. дюйм (изб.)).

Применение

Клапан ICLX используется в линиях всасывания для открытия при высоком перепаде давления, например, после оттаивания горячим газом в крупных промышленных холодильных системах с аммиаком, фторсодержащими хладагентами или CO₂.

Клапан ICLX открывается в два этапа:

На первом этапе под действием пилотных электромагнитных клапанов, он открывается примерно на 10 % от своей пропускной способности.

На втором этапе происходит автоматическое открытие после того, как перепад давления на клапане достигает примерно 1 бар.

Внешнее давление

Внешнее давление, подаваемое на клапан ICLX, должно всегда быть на 1,5 бара выше, чем давление на входе клапана. Это обеспечивает клапану максимальный открывающий перепад давления (MOPD) в 28 бар. Если внешнее давление на 2 бар выше, чем давление на входе, максимальный открывающий перепад давления для клапана ICLX должен составлять 40 бар.

Электрическая проводка

Клапан ICLX имеет нормально закрытое исполнение. Для обеспечения штатной работы нормально закрытого клапана важно, чтобы нормально закрытый пилотный клапан EVM (NC) был установлен в пилотный порт рядом со штуцером внешнего давления (рис. 2). Для работы в штатном режиме оба пилота должны быть включены одновременно, например, для обоих пилотов может быть использован один и тот же сигнал.

Требования к катушкам

Обе катушки должны иметь класс защиты IP67.

EVM NC: 10 Вт переменного тока (или выше) для максимального открывающего перепада давлений до 21 бар

EVM NC: 20 Вт переменного тока для максимального открывающего перепада давлений 21 → 40 бар

EVM NO: 10 Вт переменного тока (или выше)



Клапан будет работать со сбоями в системах, в которых перепад давления на клапане в открытом положении превышает 1 бар (15 фунт/кв. дюйм (изб.)). В этом случае второй этап открытия клапана прервется.

Ориентация

При установке клапана стрелка должна указывать в направлении потока, а пилоты – в одном из направлений, представленных на рис. 1. Не допускается установка пилотов в направлении вниз (под любым углом). Верхняя крышка должна поворачиваться 4 x 90° относительно корпуса клапана.

Если клапан ICLX установлен таким образом, что пилоты имеют вертикальную ориентацию (см. рис. 1), обеспечьте расположение клапана EVM NO в нижнем положении. При необходимости поворачивайте верхнюю крышку.

Клапан оснащен штоком ручного открытия. Убедитесь в том, что внешняя пилотная линия подсоединена к верхней стороне основной линии так, чтобы ни грязь, ни масло с установки не попадали в пилотную линию. Клапаны выдерживают очень высокое внутреннее давление. Тем не менее, система трубопроводов должна быть спроектирована таким образом, чтобы избежать появления участков, скопления жидкого хладагента, и, следовательно, понизить риск роста давления при тепловом расширении. Необходимо удостовериться, что клапан защищен от резких изменений давления в системе, таких как «гидравлический удар».

Сварка (рис. 5 и 8а)

Верхняя крышка (рис. 8а, поз. 2) и функциональный модуль (рис. 8а, поз. 3) должны быть сняты перед сваркой для предотвращения повреждения уплотнительных колец и тefлоновой прокладки (PTFE) в функциональном модуле. Зачастую крышка и функциональный модуль могут быть сняты, будучи собранными (рис. 3а), но если внутренние уплотнительные кольца прилипают к металлической поверхности, необходимо произвести разборку в 2 этапа (рис. 3б). В обоих случаях детали можно аккуратно поднимать при помощи 2 отверток.

Примечание: Перед сваркой снимите все детали с корпуса клапана (как показано на рис. 5).



Внутренние поверхности и сварные соединения клапана ICLX прошли антикоррозийную обработку.

Чтобы поддерживать эффективность данной антикоррозийной обработки, необходимо убедиться в том, что клапан разбирается непосредственно перед выполнением сварки.

Если функциональные модули должны быть оставлены разобранными даже на короткий период времени, необходимо защитить их путем укладки в полиэтиленовый пакет или нанесения на их поверхности антикоррозионной защиты (например, холодильного масла или BRANOROL).

Должны использоваться только те материалы и методы сварки, которые совместимы с материалом корпуса клапана.

Избегайте попадания грязи и сварочной окалины в корпус клапана и функциональный модуль. После установки корпус клапана не должен подвергаться давлению (внешним нагрузкам).

Запрещается устанавливать клапаны в системах, где выпускная сторона клапана сообщается с атмосферой. Выпускная сторона клапана всегда должна подключаться к системе или быть должным образом перекрыта, например, при помощи приварной торцевой пластины.

Сборка

Перед сборкой удалите с труб и корпуса клапана сварочную окалину и всю грязь. Перед заменой функционального модуля убедитесь в том, что уплотнительные кольца не повреждены. По возможности нанесите какое-либо холодильное масло для облегчения установки и защиты уплотнительных колец. Убедитесь в том, что верхняя прокладка не повреждена. Если прокладка была согнута или ее поверхность повреждена, ее необходимо заменить.

Затяжка (рис. 6)

Затяните болты на верхней крышке при помощи динамометрического ключа до значений, указанных в таблице.

Покраска и идентификация

Клапаны ICLX являются оцинкованно-хромированными на заводе.

Оцинковка и хромирование не покрывает сварные соединения. Если необходима дополнительная защита от коррозии, клапаны могут быть покрашены. После монтажа, включающего сварку и последующую сборку, необходимо обеспечить защиту наружной поверхности корпуса клапана от коррозии при помощи соответствующего финишного покрытия. При покраске клапана рекомендуется обеспечить защиту таблички с паспортными данными.



Важное замечание для клапанов ICLX:

Клапан ICLX поддерживается в открытом положении с помощью давления горячего газа. Горячий газ конденсируется на стенках холодного клапана и образует слой жидкости под сервопоршнем. Когда пилотные клапаны сработают на закрытие клапана ICLX, давление над сервопоршнем начнет выравниваться с давлением всасывания через пилотный клапан. Это выравнивание займет некоторое время, поскольку в клапане находится конденсированная жидкость.

Время с начала срабатывания пилотных клапанов до полного закрытия клапана ICLX зависит от температуры, давления, типа хладагента и размера клапана. Поэтому точное время закрытия клапана определить трудно, но, в общем случае, при более низких температурах время закрытия увеличивается.

Очень важно учитывать время закрытия клапана при оттаивании испарителя горячим газом. Необходимо соблюсти условие, чтобы клапан подачи горячего газа не был открыт до того, как будет полностью закрыт клапан ICLX в линии всасывания. Если клапан подачи горячего газа будет открыт до того, как полностью закроется клапан ICLX, будет потеряно много тепловой энергии, и могут возникнуть потенциально опасные ситуации, связанные с гидравлическим ударом. При перепаде давления $\Delta p > 1,5$ бар на клапанах ICLX на втором этапе открытия может произойти гидравлический удар, вызванный газом или жидкостью. В конечном итоге это может привести к серьезному повреждению клапана.

Как показывает опыт, время закрытия в 2 минуты можно использовать в качестве исходной точки. Оптимальное время закрытия для каждой отдельной системы должно определяться при первоначальном запуске установки в предусмотренных условиях эксплуатации. Рекомендуется проверять, необходимо ли изменить время закрытия в случае изменения условий (давление всасывания, температура окружающей среды и т. п.). Кроме того, время закрытия необходимо проверять при обслуживании клапана. После определения оптимального времени закрытия к нему рекомендуется прибавить запас по безопасности в 30 с.

Техническое обслуживание

Обслуживание

Клапаны ICLX могут быть разобраны в целях технического обслуживания.

Только квалифицированные и прошедшие обучение инженеры допускаются к проведению технического обслуживания клапанов ICLX.

Запрещается открывать клапан, пока он находится под давлением.

Сброс давления может быть выполнен путем осторожного открытия штока ручного открытия. Небольшие прорезы вдоль резьбы выступают хладагент наружу. Данная операция должна выполняться только после выполнения предупредительных мер в соответствии с местным законодательством. Зачастую крышка и функциональный модуль могут быть сняты, будучи собранными (рис. 3а), но если внутренние уплотнительные кольца прилипают к металлической поверхности, необходимо произвести разборку в 2 этапа (рис. 3б). В обоих случаях детали можно аккуратно поднимать при помощи 2 отверток.

После открытия и снятия функционального модуля:

- Убедитесь в том, что уплотнительные кольца функционального модуля не повреждены. Клапан с поврежденным уплотнительным кольцом не сможет работать в соответствии с техническими условиями.
- Функциональный модуль и поршень в сборе могут быть разобраны в соответствии с рис. 8b и 8c. Будьте осторожны при снятии стопорного кольца (рис. 8b, поз. 6), т.к оно будет подвергаться воздействию усилия сжатой пружины (рис. 8b, поз. 4).



Будьте осторожны и не повредите два седловых уплотнения, показанных на рис. 8b и 8c, поскольку любая деформация стальной поверхности приведет к сбоям в работе клапана.

- Проверьте поршни, цилиндры и клапанные пластины на предмет износа и царапин, и замените их при необходимости.
- Убедитесь в свободном, с низким уровнем трения ходе поршней и клапанных седел.

Замена клапанных пластин (обычные быстроизнашивающиеся детали)

Можно заменить две клапанные пластины из PTFE (рис. 8c, поз. 2 и 5) согласно рис. 9 и следующим указаниям:

На рис. 9а показан шестигранник (специальный инструмент), вставляемый в охватывающее шестигранное отверстие в фиксирующем уплотнении (поз. 3) поршня в сборе.

Для клапанов ICLX 32 – 40 соответствующим инструментом служит пустотелый шестигранник, устанавливаемый на наружный (охватываемый) шестигранник.

Для обеспечения стопора при отвинчивании фиксирующего уплотнения рекомендуется использовать два закрепленных в тисках стальных шплинта (рис. 9а, поз. 2), которые подходят для охватывающих шестигранных отверстий под болты с шестигранной головкой (рис. 8с, поз. 9).

Как только фиксирующее уплотнение будет снято, клапанная пластина (поз. 4) может быть извлечена.

Переместите два стальных шплинта (рис. 9b, поз. 2) в более высокое положение в тисках для того, чтобы позволить спусковому поршню (рис. 9b, поз. 3) соскользнуть вниз и открыть доступ к отверстиям (поз. 4).

В два противоположных отверстия (поз. 4) вставляется стальной стержень (поз. 5) соответствующего диаметра, при этом инструмент (поз. 1) (или аналогичный инструмент с отверстием) располагается в середине.

Отвинтите основной поршень (рис. 9b, поз. 6).

Для разборки последнего фиксирующего уплотнения рекомендуется использование оправки с трехточечным упругим креплением (рис. 9с), чтобы предотвратить деформацию поверхностей.

Осторожно закрепите поверхность (поз.1) спускового поршня на оправке. Зафиксируйте оправку во избежание ее вращения и отвинтите фиксирующее уплотнение предназначенным для этого инструментом (поз.2).

Как только фиксирующее уплотнение будет снято, оставшаяся клапанная пластина (поз. 3) может быть заменена. Повторная сборка поршня выполняется в обратном порядке. Величина момента затяжки для различных соединений показана на рис. 9.

Сборка

Перед сборкой клапана удалите с корпуса всю грязь. Убедитесь, что никакие пазы клапана не засорены частицами или подобными веществами.

По возможности нанесите какое-либо холодильное масло для облегчения установки и защиты уплотнительных колец.

Затяжка (рис. 6)

Затяните верхнюю крышку при помощи динамометрического ключа до значений, указанных в таблице.

Переход с двухступенчатого режима работы на одноступенчатый

Клапан ICLX имеет двухступенчатый режим в качестве заводской настройки. Чтобы изменить режим работы клапана на одноступенчатый режим, необходимо выполнить следующее:

- Снять верхнюю крышку с корпуса клапана (рис. 3).
- Заменить два болта (рис. 8с, поз. 9), при этом функциональный модуль остается в корпусе клапана.
- Длина двух болтов соответствует желаемой характеристике клапана и должна задаваться в соответствии с таблицей (рис. 4).
- После замены болтов клапан может быть собран заново.

Шток ручного открытия (рис. 7)

Штатный режим

Чтобы клапан работал в штатном режиме под управлением пилотных клапанов, шток ручного открытия должен быть полностью повернут по часовой стрелке до тех пор, пока стопорное кольцо (А) не окажется на поверхности сальника.

Принудительное ручное открытие

Чтобы открыть клапан вручную, шток ручного открытия должен быть полностью повернут против часовой стрелки до достижения механического упора.

Ввод в эксплуатацию

Время, необходимое для полного закрытия клапана ICLX, зависит от размера клапана и его области применения и должно измеряться на месте. Его оптимальное значение необходимо определить при вводе в эксплуатацию.

Для замены используйте только подлинные детали производства компании Danfoss, включая уплотнительные кольца и прокладки. Материалы новых деталей сертифицированы для соответствующего хладагента. В случае возникновения вопросов обращайтесь в компанию Danfoss. Чертежи приведены только для наглядности, а не для замеров или монтажа.