

Data Sheet

Pressure transmitter Type **AKS 3000**

For A/C and refrigeration



AKS 3000 is a series of absolute transmitters with high-level signal conditioned current output, developed to meet demands in A/C and refrigeration applications.

AKS 3000 utilizes the proved piezoresistive measuring principle, which has been used for decades in Danfoss pressure transmitters. The pressure reference is a sealed gauge. This means that atmospheric pressure variations have no influence on regulating accuracy. A must in accurate low pressure regulation.

All materials in contact with the refrigerant and materials for the housing are AISI 316L stainless steel. No soft gaskets, all environmental sealings are made through laser weldings only.

AKS 3000 has a 4 – 20 mA output, and is available with spade terminals for EN 175301-803 plug.

Features

Designed to meet A/C and refrigeration application demands without compromising control accuracy concerning:

Tough environment

- Vibration
- Shock during operation and transport
- Humidity and ice formation
- Temperature variations
- Corrosive media like ammonia gases and salt mist

Convenient performance

- 4 – 20 mA signal
- 1% typical accuracy
- 0.5% typical linearity
- Prepared for high pressure refrigerants Bar code for tracing of calibration data

Convenient performance

- Compact design
- Max. working pressure 33 bar <math>P < 100\text{ bar}</math>
- Digitally temperature compensation Optimized accuracy at -10 °C and 20 °C for suction line installations.
- 1/4 -18NPT, G 3/8 A, G 1/2 A or 1/4 flare ensures tight pressure connection
- All laser welded AISI 316L stainless steel enclosure
- No soft seals
- Enclosure: IP65
- For use in ATEX zone 2 explosive atmospheres
- UL approved

Applications

- Fan speed control
- High pressure control
- Compressor capacity control
- Evaporator pressure detection
- Oil pressure control

Product specification

Thermal sensitivity

- AKS 3000 is calibrated to limit ambient temperature influence on the regulating accuracy.
- Pressure transmitters to be used at low temperature conditions, e.g. in suction lines, are calibrated at -10 °C and 20 °C.
- In this way control accuracy is optimized in a temperature range of -30 °C – 40 °C.
- Pressure transmitters for general use, e.g. at normal room temperature, are calibrated at 20 °C and 60 °C.
- In this way control accuracy is optimized in a temperature range of 0 °C – 80 °C.

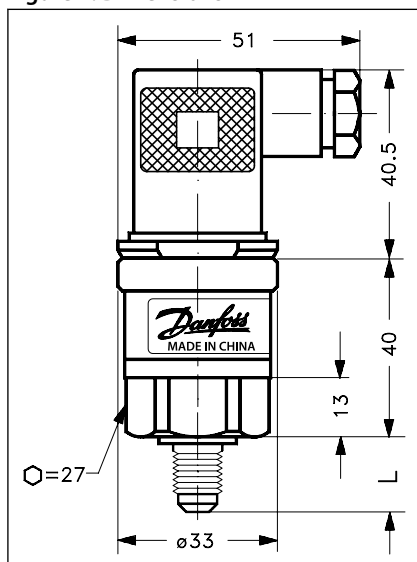
Electrical connection

Table 1: Electrical connection, Two-wire, 4 – 20 mA

Type code	A1
	<p>EN 175301-803-A pg 9</p>
Ambient temperature 4 - 20 mA output	-40 – 85 °C
Electrical connection 4 - 20 mA output	Pin 1: + supply Pin 2: - supply Pin 3: Not used Connected to transmitter housing

Dimensions and weight

Figure 1: Dimensions



NOTE:
All dimensions in millimeters

Table 2: Dimensions and weight

Pressure Connection	¼ - 18 NPT	G ¾ A ISO 228/1	G ½ A	¼ Flare 7/16 - 20 UNF	Weight [kg]	
					plug	cable
L [mm]	16	21	20	16.5	0.15	0.20

Ordering

Table 3: Ordering

Operating range [bar] (e)	Max. working pressure PB [bar]	Calibration at [°C]	Code no.			
			EN 175301-803 plug			
			G 3/8 A	G 1/2 A	1/4 - 18 NPT	1/4 Flare
-1 - 6	33	-10 / 20	060G1040	-	-	060G1321
-1 - 9	33		-	060G1895	060G1051	060G1007 ⁽¹⁾
-1 - 12	33		060G1058	060G1896	060G1052	060G1323
-1 - 20	50		060G1049	-	060G1053	060G1010
0 - 18	50	20 / 60	-	-	060G1068	060G1325
0 - 25	50		060G1041	060G1608 ⁽¹⁾	060G1080	060G1019
0 - 30	60		-	-	060G1081	060G1327
0 - 40	100		060G1066	-	-	060G1328
0 - 60	100		-	060G3631	060G1083	-

⁽¹⁾ Calibrated as absolute pressure range:

060G1007: 0 - 10 bar (abs)

060G1608: 0 - 25 bar (abs)

Ordering standard

Table 4: Performance

Features	Descriptions
Accuracy	±1% FS (typ.) / ±2% FS (max.)
Non-linearity	< ±0.5% FS
Hysteresis and repeatability	≤ ±0.1% FS
Thermal zero point shift	≤ ±0.2% FS/10K (typ.) ≤ ±0.4% FS/10K (max.)
Thermal sensitivity (span) shift	≤ ±0.2% FS/10K (typ.) ≤ ±0.4% FS/10K (max.)
Response time	< 4 ms
Max. operating pressure	See Table 3: Ordering

Table 5: Electrical specifications

Features	Descriptions
Rated output signal	4 - 20 mA
Supply voltage, [U _B] (polarity protected)	9 - 32 V DC
Supply voltage dependency	< 0.2% FS/10 V
Output limitation	22.4 mA (typ.)
Power-up time	< 50 ms
Max. load, [R _L]	$R_L \leq \frac{U_B - 9V}{0.02 A} [\Omega]$

Table 6: Environmental conditions


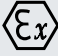
Sensor operating temperature range		Normal	-40 - 85 °C	
		ATEX Zone 2	-10 - 85 °C	
Media temperature range			-40 - 85 °C	
Compensated temperature range	≤ 16 bar		LP: -30 - 40 °C	
	> 16 bar		HP: 0 - 80 °C	
Transport temperature range			-50 - 85 °C	
EMC - Emission			EN 61000-6-3	
EMC - Immunity	Electrostatic discharge	Air	8 kV	EN 61000-6-2
		Contact	4 kV	EN 61000-6-2
	RF	field	10 V/m, 26 MHz - 1 GHz	EN 61000-6-2
		conducted	3 Vrms, 150 kHz - 30 MHz	EN 61000-6-2
	Transient	burst	4 kV (CM), Clamp	EN 61000-6-2
		surge	1 kV (CM,DM) at Rg = 42 Ω	EN 61000-6-2
Insulation resistance			> 100 MΩ at 500 V DC	

Pressure transmitter, AKS 3000

Vibration stability	Sinusoidal	20 g, 25 Hz – 2 kHz	IEC 60068-2-6
	Random	7,5 grms, 5 Hz – 1 kHz	IEC 60068-2-34, IEC 60068-2-36
Shock resistance	Shock	500 g / 1 ms	IEC 60068-2-27
	Free fall	1 m	IEC 60068-2-32
Enclosure			IP65 (IEC 60529)

Explosive atmospheres

Table 7: Explosive atmospheres

Zone 2 applications	  II 3G Ex ec IIA T3 Gc -10°C < Ta < +85°C	EN60079-0; EN60079-7
----------------------------	---	----------------------

The products for ATEX Zone 2 are applicable in refrigeration applications employing any flammable refrigerants classified as IIA – please, refer to AKS installation guide. In ATEX Zone 2 applications at low temperatures cable and plug must be protected against impact.

Table 8: Flammable refrigerants

Features	Description
AKS products can be used in end user applications employing the following flammable refrigerants: A3: R290, R600, R600a, R1270 A2L: R32, R444B, R452A/B, R454A/B/C, R455A, R1234zyef	IEC/EN 60335-2-89 (commercial refrigerating appliances) IEC/EN 60335-2-40 (electrical heat pumps, air-onditioners)

For other products not ATEX Zone 2 assessed, an ignition risk assessment has been conducted with reference to IEC/EN 60335-2-89 (commercial refrigerating appliances) and IEC/EN 60335-2-40 (electrical heat pumps, air-conditioners).

For countries where safety standards are not an indispensable part of the safety system, Danfoss recommends the installer to seek a third-party approval of the system containing flammable refrigerant. Note: Please, follow specific selection criteria stated in the data sheet for these particular refrigerants.

Mechanical characteristics

Table 9: Mechanical characteristics

Features	Descriptions
Electrical connection	EN 175301-803 plug
Wetted parts, material	EN10088-1-1.4404 (AISI 316L)
Housing material	EN10088-1-1.4404 (AISI 316L)
Weight	0.15 kg
Refrigerants	DR3, DR55, DR7, HDR110, L40, R1234yf, R1234ze, R1270, R1290, R134a, R22, R227, R23, R290, R32, R404A, R407A, R407B, R407C, R407F, R410A, R413A, R417A, R422A, R422D, R427A, R438A, R444B, R447A, R448A, R449A, R449B, R450A, R452A, R454B, R502, R507, R513A, R600, R600a, R717 (NH3), R744 (CO2), R1270

Certificates, declarations and approvals

The list contains all certificates, declarations, and approvals for this product type. Individual code number may have some or all of these approvals, and certain local approvals may not appear on the list.

Some approvals may change over time. You can check the most current status at danfoss.com or contact your local Danfoss representative if you have any questions.

Table 10: Certificates, declarations and approvals

File name	Document type	Document topic	Approval authority
UL E227388	Explosive - Safety Certificate	Hazardous Locations	UL
UL E31024	Electrical - Safety Certificate		UL
UL E311982	Electrical - Safety Certificate		UL
064G9615.06	EU Declaration	ATEX/EMCD/RoHS	Danfoss
060G9688.00	Manufacturers Declaration		Danfoss
0F18477.5123467890YTN	Pressure - Safety Certificate	CRN	TSSA
060R3160.00	Manufacturers Declaration	China RoHS	Danfoss
064R9402.00	Manufacturers Declaration	PED	Danfoss
E494625	Electrical - Safety Certificate		UL
1786330	Explosive - Safety Certificate		CSA

Online support

Danfoss offers a wide range of support along with our products, including digital product information, software, mobile apps, and expert guidance. See the possibilities below.

The Danfoss Product Store



The Danfoss Product Store is your one-stop shop for everything product related—no matter where you are in the world or what area of the cooling industry you work in. Get quick access to essential information like product specs, code numbers, technical documentation, certifications, accessories, and more.

Start browsing at store.danfoss.com.

Find technical documentation



Find the technical documentation you need to get your project up and running. Get direct access to our official collection of data sheets, certificates and declarations, manuals and guides, 3D models and drawings, case stories, brochures, and much more.

Start searching now at www.danfoss.com/en/service-and-support/documentation.

Danfoss Learning



Danfoss Learning is a free online learning platform. It features courses and materials specifically designed to help engineers, installers, service technicians, and wholesalers better understand the products, applications, industry topics, and trends that will help you do your job better.

Create your Danfoss Learning account for free at www.danfoss.com/en/service-and-support/learning.

Get local information and support



Local Danfoss websites are the main sources for help and information about our company and products. Find product availability, get the latest regional news, or connect with a nearby expert—all in your own language.

Find your local Danfoss website here: www.danfoss.com/en/choose-region.

Danfoss A/S

Climate Solutions • danfoss.com • +45 7488 2222

Any information, including, but not limited to information on selection of product, its application or use, product design, weight, dimensions, capacity or any other technical data in product manuals, catalogues descriptions, advertisements, etc. and whether made available in writing, orally, electronically, online or via download, shall be considered informative, and is only binding if and to the extent, explicit reference is made in a quotation or order confirmation. Danfoss cannot accept any responsibility for possible errors in catalogues, brochures, videos and other material. Danfoss reserves the right to alter its products without notice. This also applies to products ordered but not delivered provided that such alterations can be made without changes to form, fit or function of the product.

All trademarks in this material are property of Danfoss A/S or Danfoss group companies. Danfoss and the Danfoss logo are trademarks of Danfoss A/S. All rights reserved.