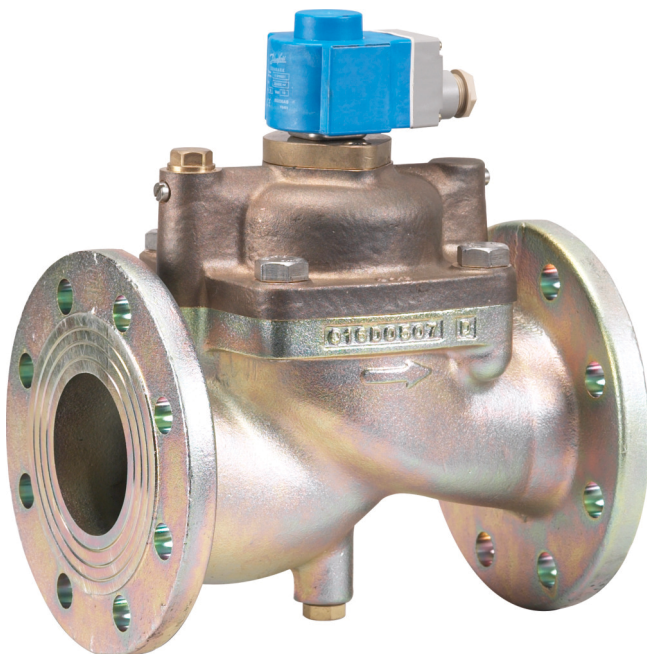


Data Sheet

Solenoid valves
Type **EV220B****EV220B 65 - 100:** Valves for high capacity applications


EV220B 65 - EV220B 100 is a 2/2-way solenoid valve program for use in robust industrial applications, demanding high flow rates. The valve is designed with cast iron valve body and flanged connection. Water-hammer damped design and built-in pilot filter ensures a reliable operation.

Features

- For water and similar neutral media
- Clip on coil
- Ambient temperature: Up to 80 °C
- Coil enclosure: Up to IP67
- Water hammer damped
- Built-in filter for protection of pilot system

1 Portfolio overview

Table 1: Portfolio overview

Features	EV220B 65 - EV220B 100
	
Body material	Cast iron
DN [mm]	65 - 80
Connection	G21/2, G3, G4
Sealing material	EPDM, NBR
Function	NC
K_v [m³/h]	50 - 130
Differential pressure range [bar]	0.25 - 10
Temperature range [°C]	-25 - 90

2 Function

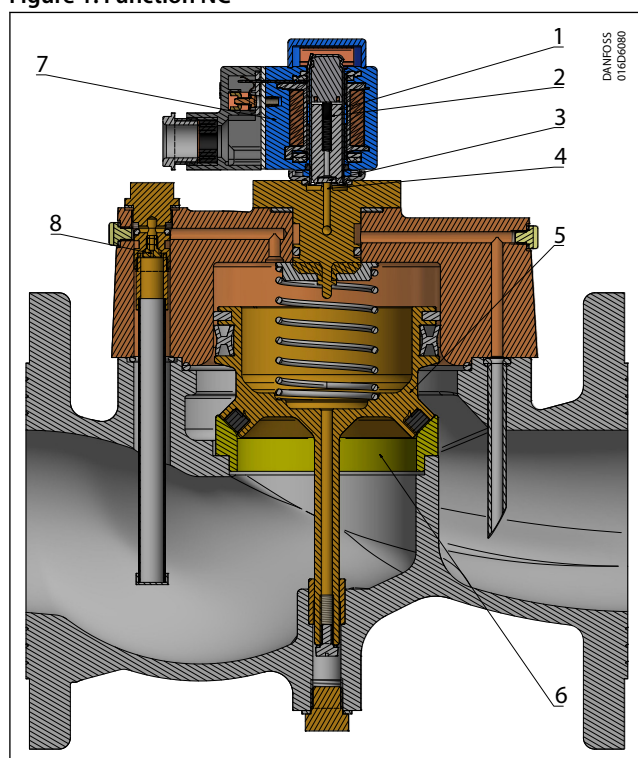
Coil voltage disconnected (closed)

When the voltage is disconnected, the valve plate (3) is pressed down against the pilot orifice (4) by the pilot system's closing spring (2). The pressure across the servo piston (5) is built up via the equalizing orifice (8). The servo piston closes the main orifice (6) as soon as the pressure across the piston is equivalent to the inlet pressure. The valve will be closed for as long as the voltage to the coil is disconnected.

Coil voltage connected (open)

When voltage is applied to the coil (7), the armature (1) and the valve plate (3) are lifted clear of the pilot orifice (4). As the pilot orifice is larger than the equalizing orifice (8), the pressure across the servo piston (5) drops and therefore it is lifted clear of the main orifice (6). The valve will be open for as long as the minimum differential pressure across the valve is maintained, and for as long as there is voltage to the coil.

Figure 1: Function NC

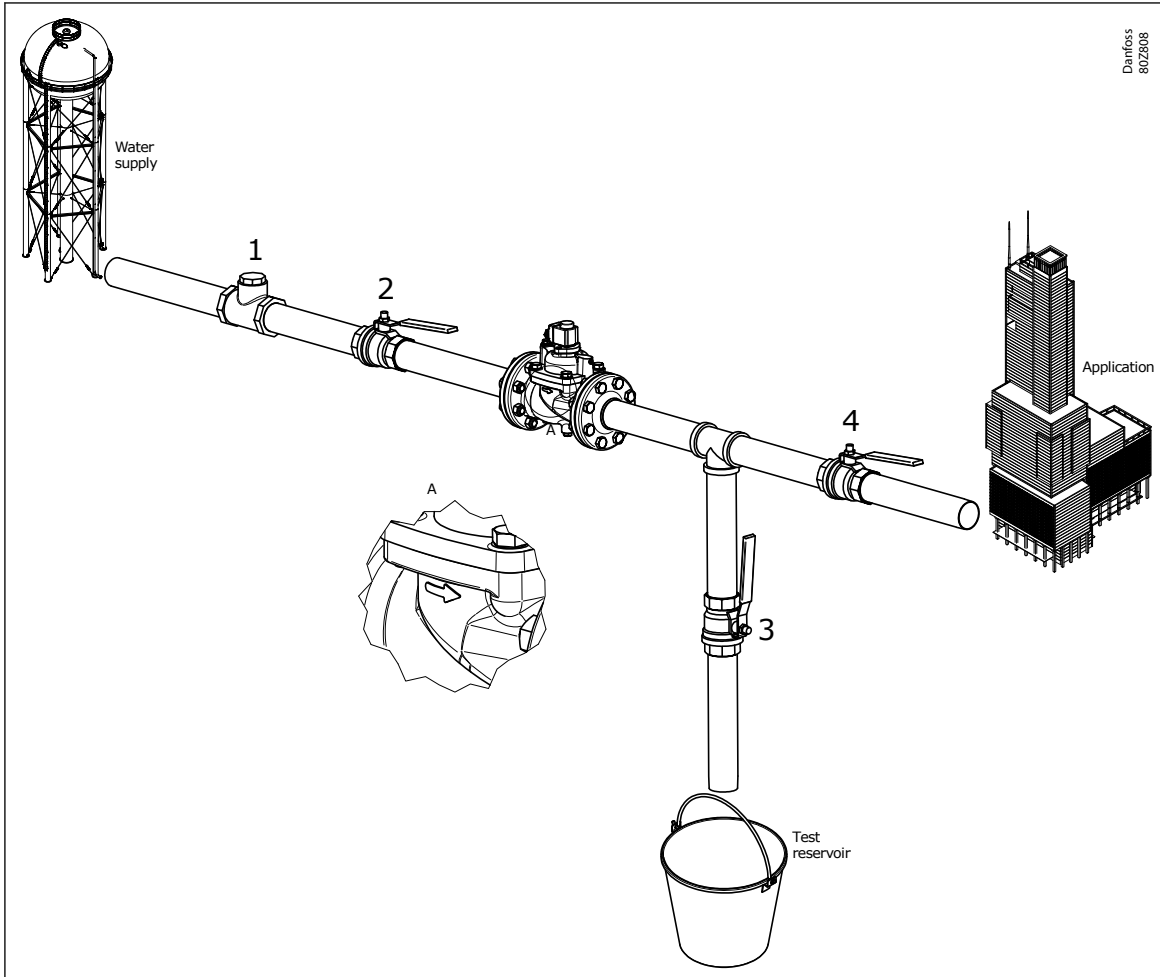


1.	Armature
2.	Closing spring in pilot system
3.	Valve plate
4.	Pilot orifice
5.	Servo piston
6.	Main orifice
7.	Coil
8.	Equalizing orifice

3 Application

3.1 Application for EV220B 65 - EV220B 100

Figure 2: Application diagram

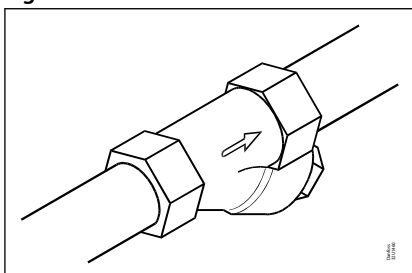


- | | |
|----|----------------------------|
| 1. | Filter |
| 2. | Ball valve, Water supply |
| 3. | Ball valve, Test reservoir |
| 4. | Ball valve, Application |

Recommendations

It is recommended to use a filter in front of the valve. Recommended filter 50 mesh (297 microns).

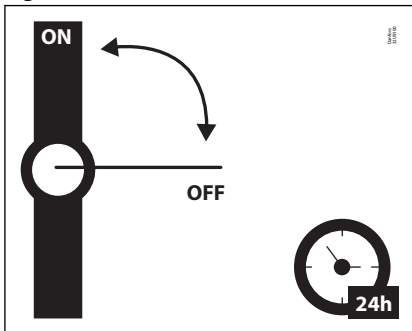
Figure 3: Filter



Solenoid valves, Type EV220B 65 - EV220B 100

In water applications, exercise the valves at least once every 24 hours, meaning change the state of the valve. The valve exercise will minimize the risk of the valve sticking due to calcium carbonate, zinc or iron oxide build-up.

Figure 4: Exercise: Valve on/off



To minimize scaling, and corrosion attack it is recommended that the water passing the valve have the following values:

- Hardness 6-18 °dH to avoid scaling (chalk / lime stone build up).
- Conductivity 50 – 800 µS/cm to avoid brass dezincification and corrosion.
- Above 25°C media temperature avoid stagnant water inside the valve to avoid dezincification and corrosion attack.

4 Product specification

4.1 Technical data

Table 2: Technical data

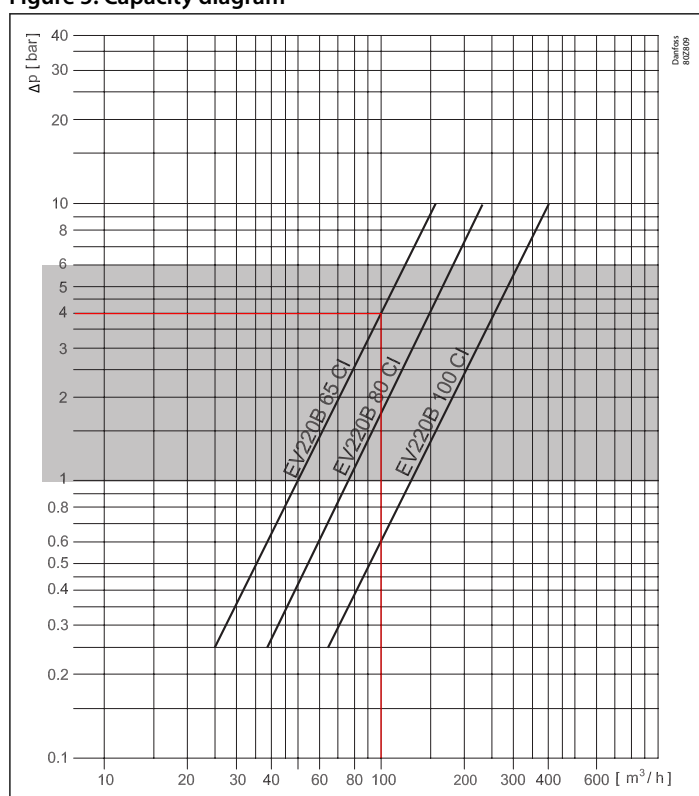
Media	EPDM	Water, brine and glycol
	NBR	Air and oil
Media temperature [°C]	EPDM/NBR	-25-90 °C
Ambient temperature [°C]	Up to 80 °C	
K_v value [m³/h]	DN65	50 m ³ /h
	DN80	75 m ³ /h
	DN100	130 m ³ /h
Min. Opening differential pressure [bar]	0.25 Bar	
Max. Opening differential pressure [bar]	10 Bar	
Max working pressure [bar]	10 Bar	
Max test pressure [bar]	15 bar	
Viscosity [cSt]	Max. 50 cSt	

Capacity diagram

Recommended operating range: Grey area 1-6 bar differential pressure

Example, water: Capacity for EV220B 65 at differential pressure of 4 bar: Approx. 100 m³/h

Figure 5: Capacity diagram



Time to open/close

Table 3: Time to open/close

Main type	EV220B 65	EV220B 80	EV220B 100
Time to open [s] ⁽¹⁾	5	5	5
Time to close [s] ⁽¹⁾	7	15	29

⁽¹⁾ The times are indicative and apply to water.

Materials

Table 4: Materials

Components	Materials	Specifications
Valve body	Cast iron	W.no. 0.6020
Armature	Stainless steel	W.no. 1.4105/AISI 430L
Armature tube	Stainless steel	W.no. 1.4306/AISI 304L
Springs	Stainless steel	W.no. 1.4310/AISI 301
Pilot body	Brass	
Ring	Copper	
Sealing	EPDM version	NBR, Cetellen WS3820, PTFE, EPDM, CR
	NBR version	NBR, centellen WS3820, PTFE

4.2 Dimensions and weights

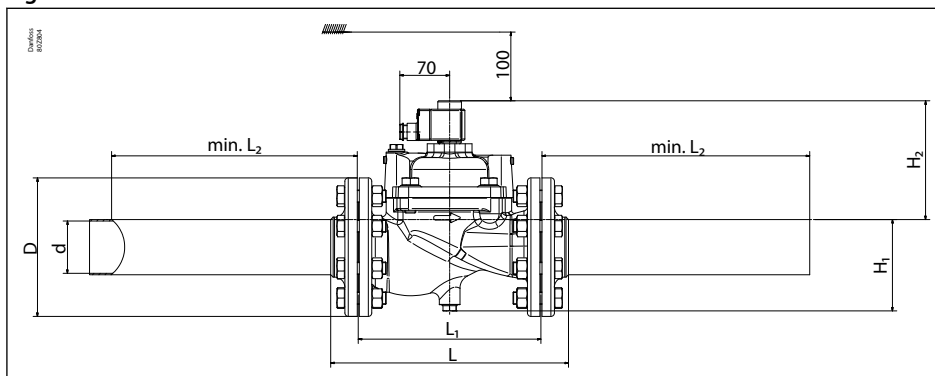
Table 5: Dimensions and weight

Type	L [mm]	L ₁ [mm]	Required min. L ₂ ⁽¹⁾ [mm]	B ₁ [mm] Coil type		øD [mm]	H ₁ [mm]	H ₂ [mm]	Weight without coil [kg]	Required min. inside tube diameter d ⁽²⁾ [mm]
				BB/BE	BG					
EV220B 65	320	224	300	46	66	185	85	185	24	65
EV220B 80	370	265	350	46	66	200	93	215	34	80
EV220B 100	430	315	400	46	66	220	103	240	44	100

⁽¹⁾ Avoid closing problems caused by turbulent flow it is required to have a straight tube on both sides of the valve.

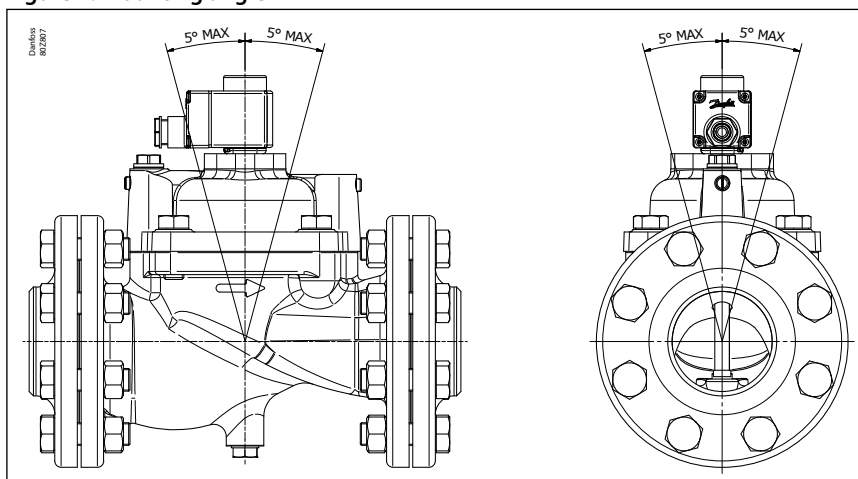
⁽²⁾ Required to keep same tube size for entire application, same or bigger inside diameter as valve orifice 65 / 80 / 100 mm.

Figure 6: Dimensions



4.3 Mounting

Figure 7: Mounting angle



5 Ordering

5.1 Parts program




Table 6: Cast iron, valve body NC

ISO228/1 connection	Seal Material	Orifice	K _v value	Function
		[mm]	[m ³ /h]	NC
G2 1/2	EPDM	65	50	016D6065
	NBR			016D3330
G3	EPDM	80	75	016D6080
	NBR			016D3331
G4	EPDM	100	130	016D6100

5.2 Accessories

Coils

Table 7: Below coils can be used with EV220B

Coil	Type	Power consumption	Enclosure	Features
	BB, clip on	10 W AC 18 W DC	IP00 with spade connector	IP20 with protective cap, IP65 with cable plug
	BE, clip on	10 W AC 18 W DC	IP67	With terminal box
	BG, clip-on	12 W AC 20 W DC	IP67	With terminal box

Cable plug

Figure 8: Cable plug



Table 8: Cable plug

Application	Code number
GDM 2011 (grey) cable plug according to DIN 43650-A PG11	042N0156

Universal electronics multi-timer, type ET20M

Figure 9: Universal electronic multi-timer, type ET20M



Table 9: EV220B 65-100

Application	Voltage [V AC]	To use with coil	Ambient temperature [°C]	Code no.
External adjustable timing from 1 to 45 minutes with 1 to 15 seconds drain open. With Manual override (test button). Electrical connection DIN 43650 A/EN 175 301-803-A	24 - 240	BA, BD, BB	-10 - 50	042N0185

Flange set

Figure 10: Flange set

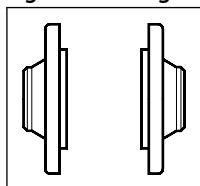


Table 10: Flange

Connection	Type	Code number
2 1/2 weld type 11 according to DIN EN 1092-1	EV220B 65	027N3065
3 weld type 11 according to DIN EN 1092-1	EV220B 80	027N3080
4 weld type 11 according to DIN EN 1092-1	EV220B 100	027N3100

Manual override kit, hand operated

Figure 11: Manual override kit

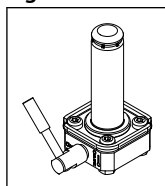


Table 11: Manual override

Seal material	Description	Code number
EPDM	Manuel override kit. used for manuel override in event of power failure.] Note: Valve height is increased by 16 mm	032U7390

5.3 Spare part kit

Table 12: Spare part kit and seal kit

Type	Spare part kit EPDM	Spare part kit NBR	Seal kit EPDM	Seal kit NBR
EV220B 65	016D0078	016D0095	016D0075	016D0084
EV220B 80	016D0079	016D0096	016D0076	016D0085
EV220B 100	016D0080		016D0077	016D0086

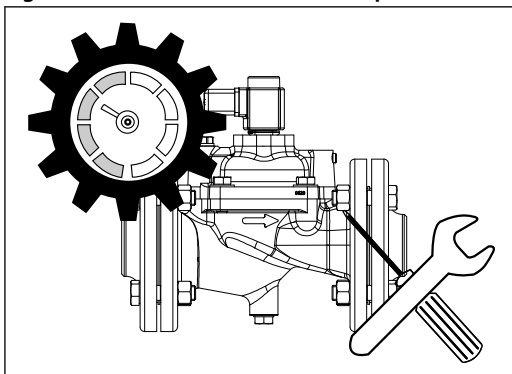
	<ol style="list-style-type: none"> 1. Armature +Spring 2. 2x O-ring 3. O-ring 4. Piston 5. O-ring 		<ol style="list-style-type: none"> 1. Steam gasket 2. 2x Sealing 3. Sealing 4. O-ring 5. Rubber gasket 6. O-ring 7. O-ring 8. 2x Steam gasket 9. O-ring 10. O-ring 11. Filter holder 12. Orifice 13. Filter 14. Drain plug
--	--	--	--

For detailed guidance see installation guides for EV220B 65-100 valve, spare part kit and seal kit.

5.4 Maintenance

Maintenance/Inspection every 6 to 12 months recommended.

Figure 12: Periodic maintenance/inspection



Before starting maintenance/inspection be sure:

Solenoid valves, Type EV220B 65 - EV220B 100

- Coil is not energized when removed from the armature tube.
- System/solenoid valve is not pressurized. Eventually close ball valves on each side of the valve.
- Be sure any pumps on the upstream (inlet supply) will not be energized or a pressure sensor or switch will not start the pump.
- After cleaning and service, eventually with Danfoss spare part kit, it is recommended to lubricate piston and piston sealing with a thin layer of lubrication included into the spare part kit.

Frequency and maintenance depend largely on the application and the medium used in the valve. Mechanical contaminants, iron, excessive mineralization, through the valve or may cause problems with the operation of the valves. All maintenance and repair work should be carried out by technically trained personnel who are familiar with the operation of the installation. In case of large impurities visible on the filter, piston scale and cover, other impurities inside the valve, the frequency of inspections should be increased.

6 Online support

Danfoss offers a wide range of support along with our products, including digital product information, software, mobile apps, and expert guidance. See the possibilities below.

The Danfoss Product Store



The Danfoss Product Store is your one-stop shop for everything product related—no matter where you are in the world or what area of the cooling industry you work in. Get quick access to essential information like product specs, code numbers, technical documentation, certifications, accessories, and more.

Start browsing at store.danfoss.com.

Find technical documentation



Find the technical documentation you need to get your project up and running. Get direct access to our official collection of data sheets, certificates and declarations, manuals and guides, 3D models and drawings, case stories, brochures, and much more.

Start searching now at www.danfoss.com/en/service-and-support/documentation.

Danfoss Learning



Danfoss Learning is a free online learning platform. It features courses and materials specifically designed to help engineers, installers, service technicians, and wholesalers better understand the products, applications, industry topics, and trends that will help you do your job better.

Create your Danfoss Learning account for free at www.danfoss.com/en/service-and-support/learning.

Get local information and support



Local Danfoss websites are the main sources for help and information about our company and products. Find product availability, get the latest regional news, or connect with a nearby expert—all in your own language.

Find your local Danfoss website here: www.danfoss.com/en/choose-region.

Spare Parts



Get access to the Danfoss spare parts and service kit catalog right from your smartphone. The app contains a wide range of components for air conditioning and refrigeration applications, such as valves, strainers, pressure switches, and sensors.

Download the Spare Parts app for free at www.danfoss.com/en/service-and-support/downloads.