

Data sheet

Actuator for two point control AMI 140

Description



AMI 140 is 2 point 3 wires actuator used with AB-QM (DN 10-32) and VZ, VZL valves. The actuator can be used with fan coil units, induction units, small re-heaters, re-coolers and zone applications in which hot/cold water is the controlled medium. The actuator provides with factory default setting (actuators spindle fully stem down):

- normally closed function for AB-QM and
- normally open function for VZ and VZL

Note: it is possible to change setting from normally closed to normally open function (see "Wiring" part jumper setting, page 2.

Main data:

- 2-point 3 wires versions
- Force switch-off at stem down position prevents overload of actuator and valve
- No tools required for mounting
- Maintenance free during lifetime
- Low noise operation
- Supplied with 1.5 m cable.


Ordering

Type	Supply voltage	Speed	Code No.
AMI 140	24 V~	12 s/mm	082H8048
	230 V~		082H8049

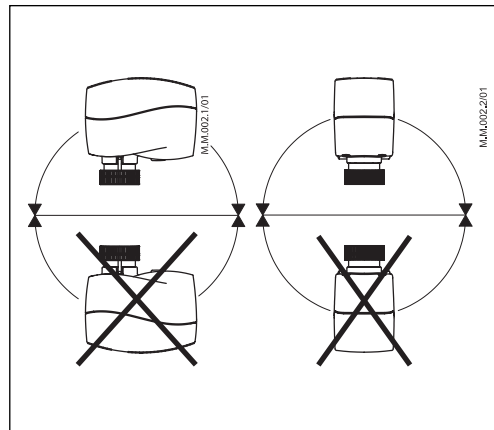
Spare parts

Type	Code No.
Cable (5m) - 24 V	082H8052
Cable (5m) - 230 V	082H8053

Technical data

Power supply	24 Vac, 230 Vac; +10 to -15%	
Power consumption	1 VA - 24 Vac; 8 VA - 230 Vac	
Frequency	Hz	50
Close of force	N	200
Stroke	mm	5,5
Speed	s/mm	12
Max. medium temperature inside the pipe		130
Ambient temperature	°C	0 ... 55
Storage and transport temperature		-40 ... +70
Protection class	II	
Ambient humidity	95% r.h., non-condensing	
Grade of enclosure	IP 42	
Weight	kg	0,3
 marking in accordance with standards	Low Voltage Directive 73/23/EEC, EMC-Directive 2006/95/EEC: - EN 60730-1, EN 60730-2-14	

Installation



Mechanical

The actuator should be mounted with the valve stem in either horizontal position or pointing upwards.

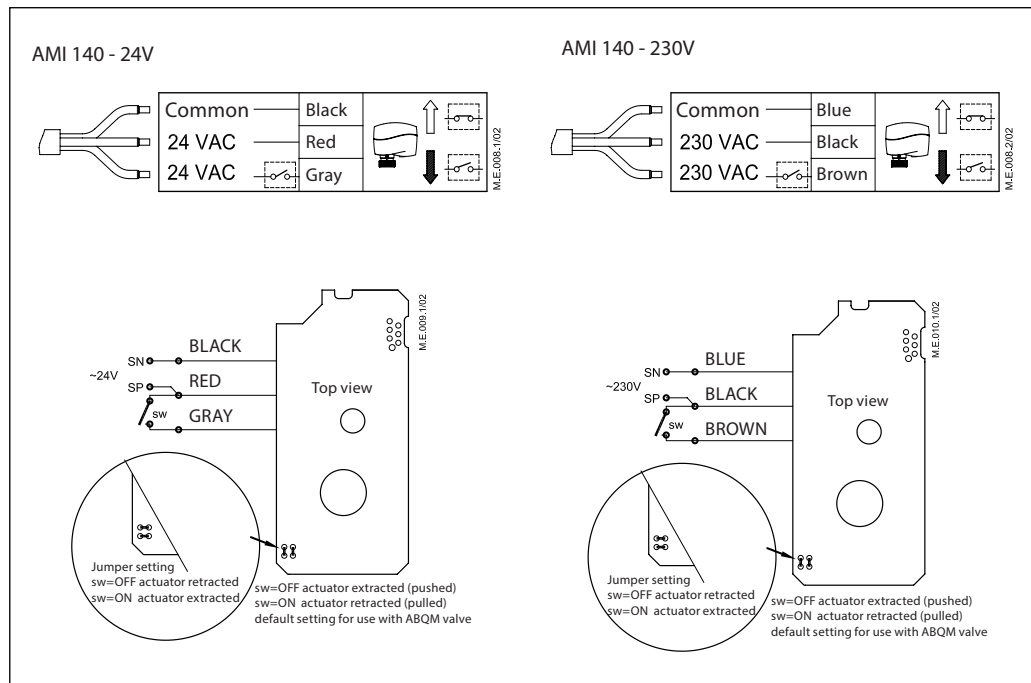
The actuator is fixed to the valve body by means of a mounting ring which requires no tools for mounting. The ring should be tightened by hand.

Electrical

Important: It is strongly recommended that the mechanical installation is completed before the electrical installation.

Each actuator is supplied with the connecting cable for the controller.

Wiring



Commissioning

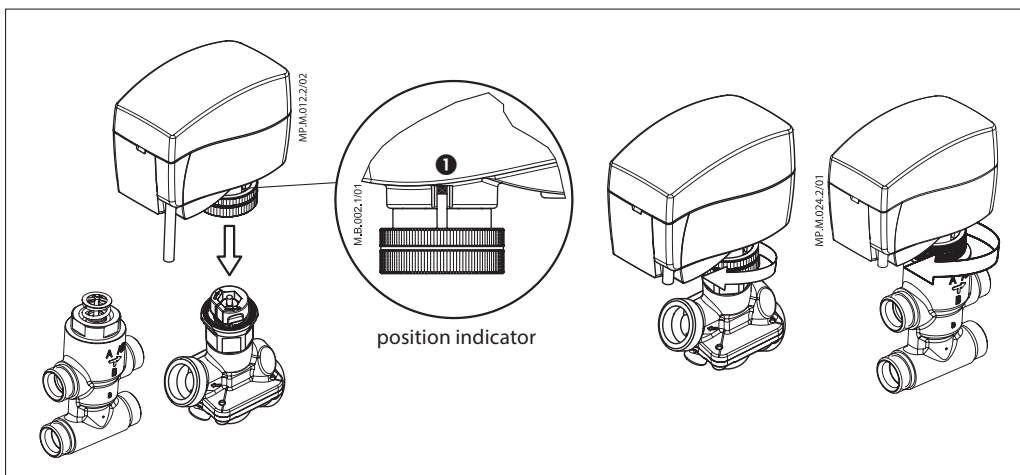
The factory setting of the spindle is the fully stem up position because of easier mechanical connection of the actuator on the valve.

Installation and commissioning procedure
(if required)



Do not touch anything on the PCB! Before removing the cover in need of hand operation with Allen key power supply must be disconnected. Lethal voltage!

- a) Check the valve's neck. The actuator should be in steam up position (factory setting) ❶. Ensure that the actuator is mounted securely on the valve body.
- b) Energise the actuator according to the wiring diagram - see page 2.
- c) The direction of stem movement can be observed on the position indicator ❶.



Manual override
(for service purposes only)

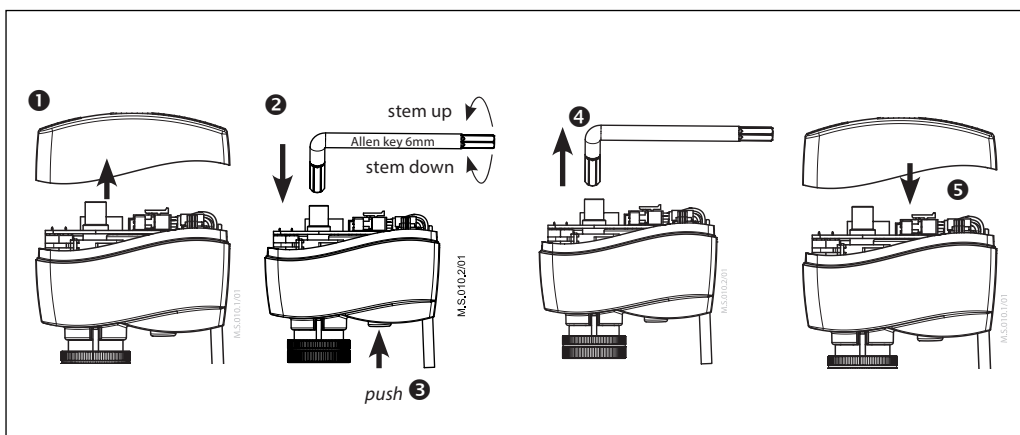


Caution:
Do not manually operate the drive under power!

1. Remove the cover.
2. Insert the Allen key 6 into the spindle.
3. Press and hold the button (on the bottom side of the actuator) during manual override.
4. Pull out the tool.
5. Place cover back on the actuator.

Remark:

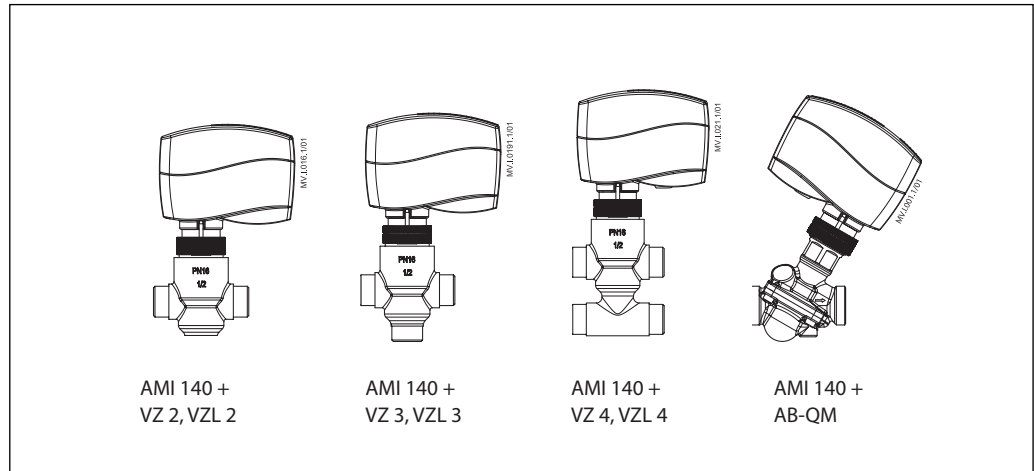
A "click" sound after energizing the actuator means that the gear wheel has jumped into normal position.



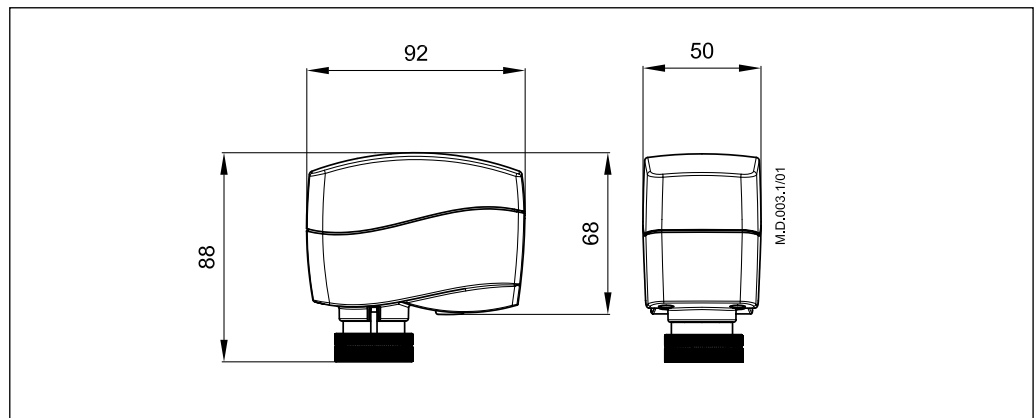
Data sheet

Actuator for two point control AMI 140

Actuator - valve combinations



Dimensions (mm)



Danfoss A/S

Climate Solutions • danfoss.com • +45 7488 2222

Any information, including, but not limited to information on selection of product, its application or use, product design, weight, dimensions, capacity or any other technical data in product manuals, catalogues descriptions, advertisements, etc. and whether made available in writing, orally, electronically, online or via download, shall be considered informative, and is only binding if and to the extent, explicit reference is made in a quotation or order confirmation. Danfoss cannot accept any responsibility for possible errors in catalogues, brochures, videos and other material. Danfoss reserves the right to alter its products without notice. This also applies to products ordered but not delivered provided that such alterations can be made without changes to form, fit or function of the product.

All trademarks in this material are property of Danfoss A/S or Danfoss group companies. Danfoss and the Danfoss logo are trademarks of Danfoss A/S. All rights reserved.