

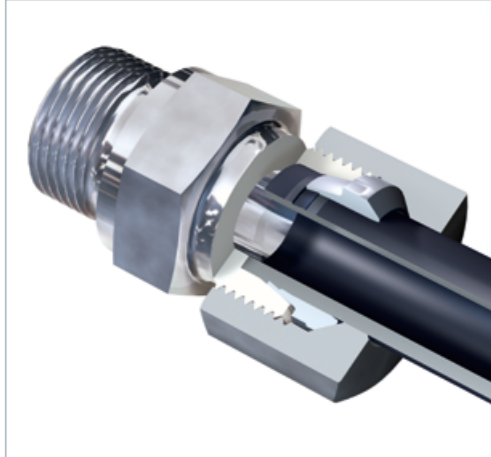
Danfoss Waltech® Product Overview

Danfoss Waltech Tube Connection Systems Trilogy

Danfoss Waltech has been a leading developer and manufacturer of innovative tube connection systems, for hydraulic applications over 60 years. The key products of the company, manufactured in Lohmar (Germany), are the Walform® cold reshaping principle, the Walpro® two-edge cutting ring (profile ring) with controlled final machine assembly, and the WalringPlus® two-edge cutting ring with additional soft sealing. All the products of the Waltech Trilogy offer maximum safety and are leak free, even under extreme loads with best assembly reliability.

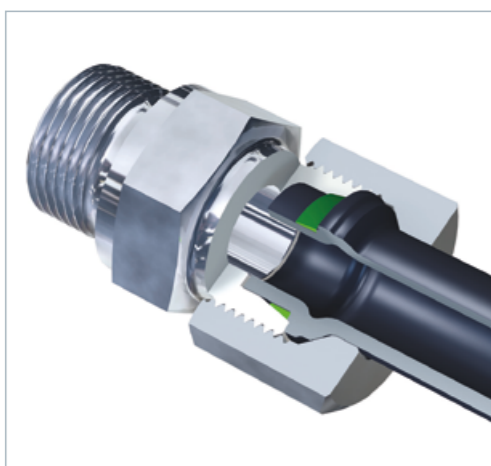
Walpro

In carbon steel and stainless steel (1.4571)



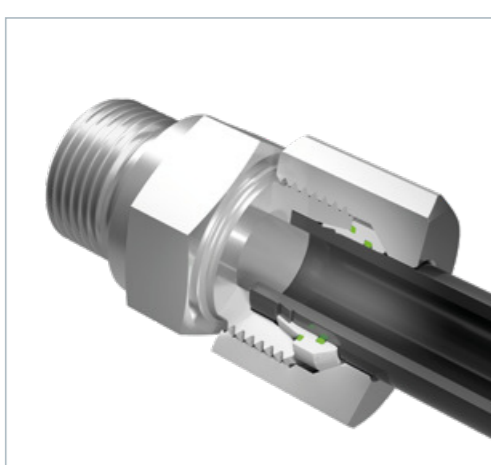
Walform

In carbon steel and stainless steel (1.4571)

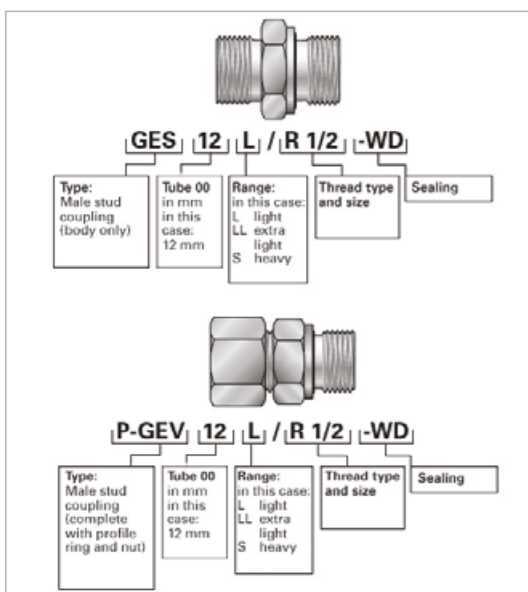


WalringPlus

In carbon steel



Notes for ordering



Guardian Seal®

Guardian Seal surface plating not only guarantees excellent, durable corrosion protection, but also provides a convincing answer from the point of view of health protection and environmental compatibility. Guardian Seal offers innovative and exclusive Nickel-free corrosion resistance - durable and safe for more than 1000 hrs. to red-corrosion.



System components



Tube connectors



Adjustable fittings



Non-return valves



Ball valves



Male stud couplings



Weld fittings



Female fittings



Gauge fittings



Swivel banjos



Reducing fittings



Blanking plugs and others



Shuttle valves



Flange fittings / 37° Flared flanges



Machines and Tools



Note: All fittings also available in stainless steel (1.4571)
 Special customized fittings available on request