



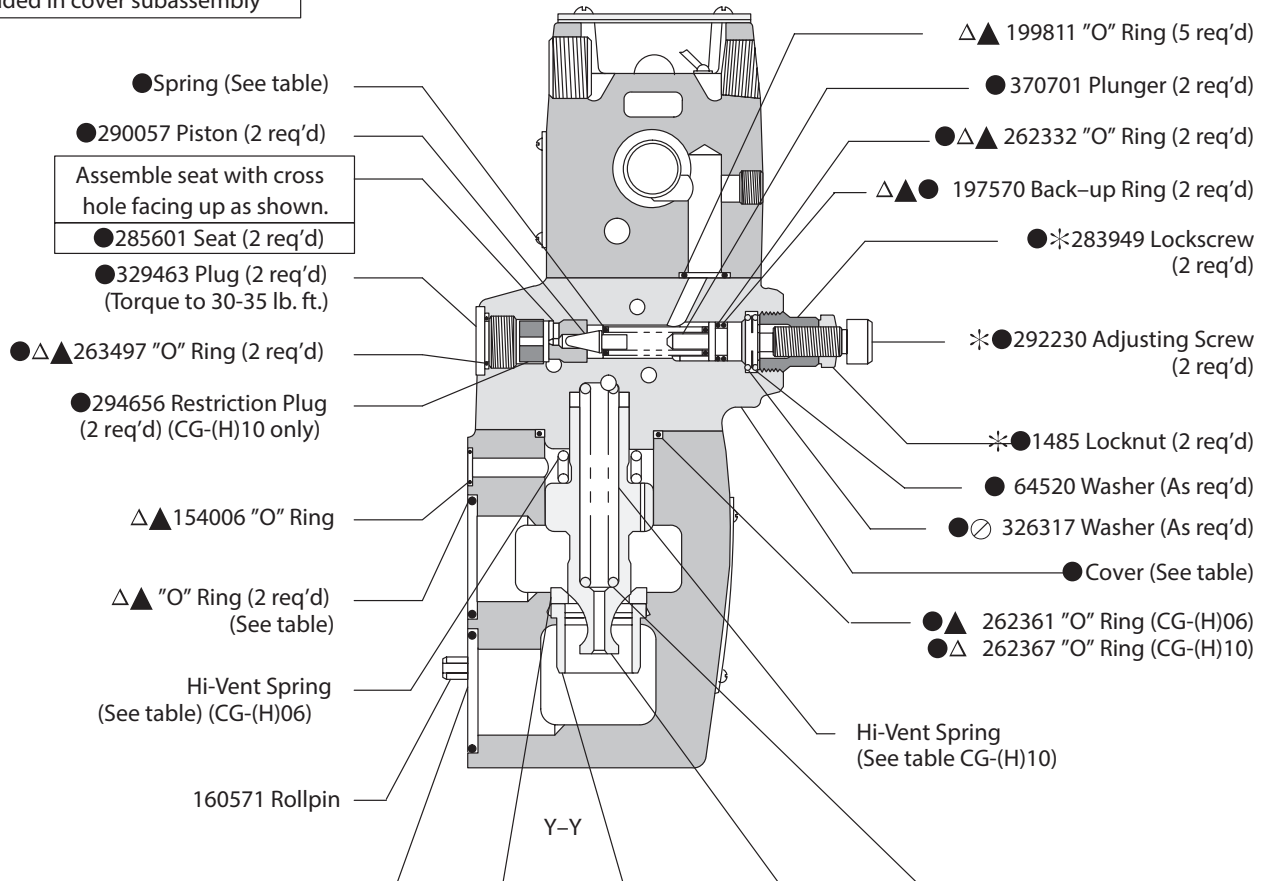
Multi-Pressure Relief Valves

CG-(H)-06-*(V)-(P)*DG(L)-0*-(H)-*-20

CG-(H)-10-*(V)-(P)*DG(L)-0*-(H)-*-20

Model	Head #1		Head #3		●CG-(H)06 Cover S/A	●CG-(H)10 Cover S/A
	Spring	Pressure Range PSI	Spring	Pressure Range PSI		
CG-(H)06/(H)10-BC	2280	125-1000	583937	500 - 2000	942155	942156
CG-(H)06/(H)10-BF			2281	1500 - 3000	—	—
CG-(H)06/(H)10-CF	583937	500-2000	—	—	—	—

●Included in cover subassembly



Model	"O" Ring (2 req'd)	Body	Seat	Sleeve	Hydro Cone	Lo-Vent Spring	Hi-Vent Spring	Cover
CG-06	▲154020	580456	343153	—	343154	2077	184458	370666
CG-H06			589473	589472				
CG-10	▲154024	581703	283954	—	283952	291822	291821	370671
CG-H10			587996	400730				

All seals, except directional valve & relief valve interface seals, are F3. Use F3 seal kit to service all units.

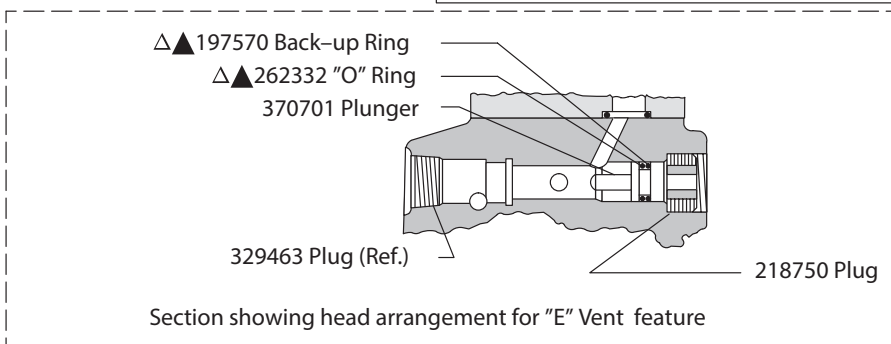
Use either a Lo-Vent or Hi-Vent spring as shown. Do not use both.

Included in F3CG-(H)06
Seal Kit 919684

Included in F3CG-(H)10
Seal Kit 919685

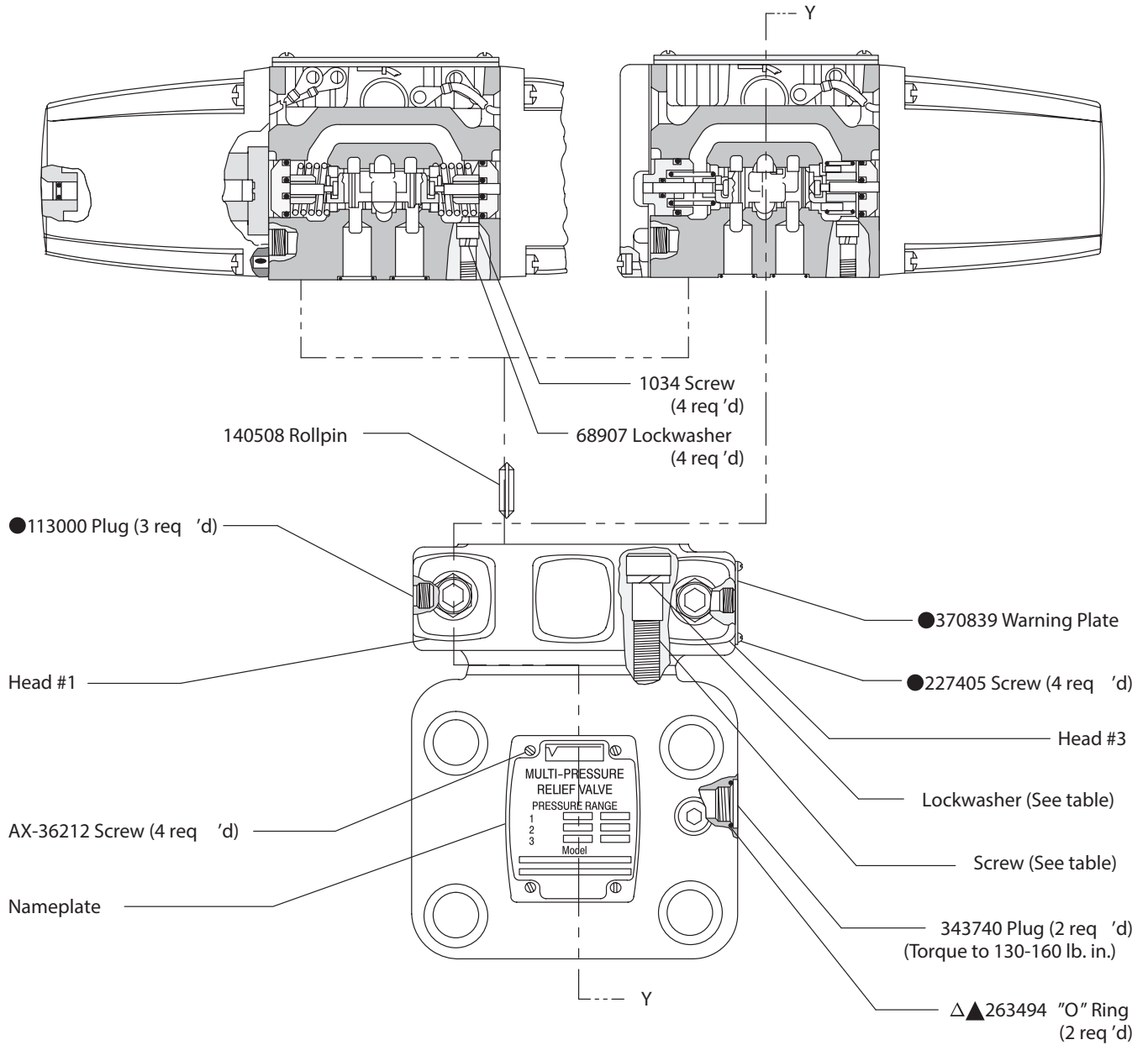
/ This part used at final test to obtain correct pressure range.

*Note
Coat 292230 Adjusting Screw,
283949 Lock Screw and 1485 Locknut
with oil prior to assembly.



DG454-010N-*-51 Pilot Valve
(Refer to I-3471-S for parts information)

DG454-010A-*-50 Pilot Valve
(Refer to I-3478-S for parts information)



Model	Screw (4 req 'd)	Lockwasher (4 req 'd)
CG-(H)06	1036	68907
CG-(H)10	1076	68909



WARNING
Do not use other than a DG454-010A-*-50 or a DG454-010N-*-51 directional valve as the pilot for this relief valve. Use of a different pilot can block the relief valve, causing excessive system pressure.

Insta-plug connectors for the DG454 pilot stage are shown on parts drawing I-3487-S.

Model Code

(F3) - C * - (H) ** - * (V) - (P) (*) D G (L) - 8) C - (H) - (*) - 20

1 2 3 4 5 6 7 8 9 10 11 12 13 14 15 16 17

1 Seal Material

F3 - Seals for mineral oil and fire resistant fluids

2 Model Series

CG - Relief valve, manifold or subplate mounted

3 Flow Type

H - High flow

4 Nominal Size

06 - 3/4"
10 - 1 1/4"

**5 Pressure Range PSI
(For heads #1 or #3)**

B - 125 - 1000
C - 500 - 2000
F - 1500 - 3000
E - Vent

6 Vent Spring

V - High vent spring
Omitted - Low vent spring

7 Insta Plug Type

P - Insta Plug feature
Omitted - Not required

8 Plug Type

A - With plug only
B - With plug and receptacle
Omitted - Not required

9 Valve Type

D - Directional valve pilot stage

10 Mount Type

G - Manifold or subplate mounted

11 Solenoid Light Type

L - Solenoid indicator light
Omitted - Without lights

12 Spool Type

O - Open centered spool

13 Pilot Valve Type

N - No spring detent pilot stage
A - Offset pilot stage

14 Solenoid Type

H - Oil immersed solenoid
Omitted - Standard solenoid

15 Solenoid Voltage

Omitted - Standard solenoid 115 AC 60

16 Design

For satisfactory service life of these components in industrial applications, use full flow filtration to provide fluid which meets ISO cleanliness code 18/15 or cleaner. Selections from Danfoss OFF, OFR, and OFRS series are recommended.

Products we offer:

- Cartridge valves
- DCV directional control valves
- Electric converters
- Electric machines
- Electric motors
- Gear motors
- Gear pumps
- Hydraulic integrated circuits (HICs)
- Hydrostatic motors
- Hydrostatic pumps
- Orbital motors
- PLUS+1® controllers
- PLUS+1® displays
- PLUS+1® joysticks and pedals
- PLUS+1® operator interfaces
- PLUS+1® sensors
- PLUS+1® software
- PLUS+1® software services, support and training
- Position controls and sensors
- PVG proportional valves
- Steering components and systems
- Telematics

Danfoss Power Solutions is a global manufacturer and supplier of high-quality hydraulic and electric components. We specialize in providing state-of-the-art technology and solutions that excel in the harsh operating conditions of the mobile off-highway market as well as the marine sector. Building on our extensive applications expertise, we work closely with you to ensure exceptional performance for a broad range of applications. We help you and other customers around the world speed up system development, reduce costs and bring vehicles and vessels to market faster.

Danfoss Power Solutions – your strongest partner in mobile hydraulics and mobile electrification.

Go to www.danfoss.com for further product information.

We offer you expert worldwide support for ensuring the best possible solutions for outstanding performance. And with an extensive network of Global Service Partners, we also provide you with comprehensive global service for all of our components.

Local address:

Hydro-Gear

www.hydro-gear.com

Daikin-Sauer-Danfoss

www.daikin-sauer-danfoss.com

**Danfoss
Power Solutions (US) Company**
2800 East 13th Street
Ames, IA 50010, USA
Phone: +1 515 239 6000

**Danfoss
Power Solutions GmbH & Co. OHG**
Krokamp 35
D-24539 Neumünster, Germany
Phone: +49 4321 871 0

**Danfoss
Power Solutions ApS**
Nordborgvej 81
DK-6430 Nordborg, Denmark
Phone: +45 7488 2222

**Danfoss
Power Solutions Trading
(Shanghai) Co., Ltd.**
Building #22, No. 1000 Jin Hai Rd
Jin Qiao, Pudong New District
Shanghai, China 201206
Phone: +86 21 2080 6201

Danfoss can accept no responsibility for possible errors in catalogues, brochures and other printed material. Danfoss reserves the right to alter its products without notice. This also applies to products already on order provided that such alterations can be made without subsequent changes being necessary in specifications already agreed. All trademarks in this material are property of the respective companies. Danfoss and the Danfoss logotype are trademarks of Danfoss A/S. All rights reserved.