

Installation guide

Solenoid valve

Type EV250BW

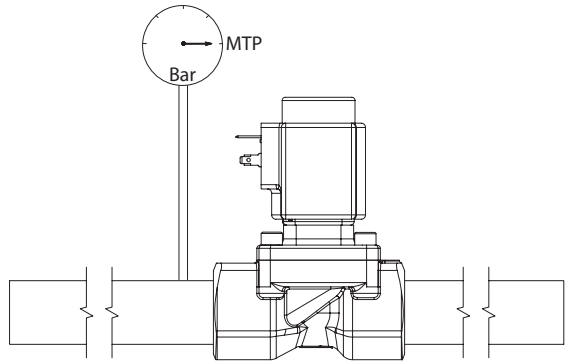
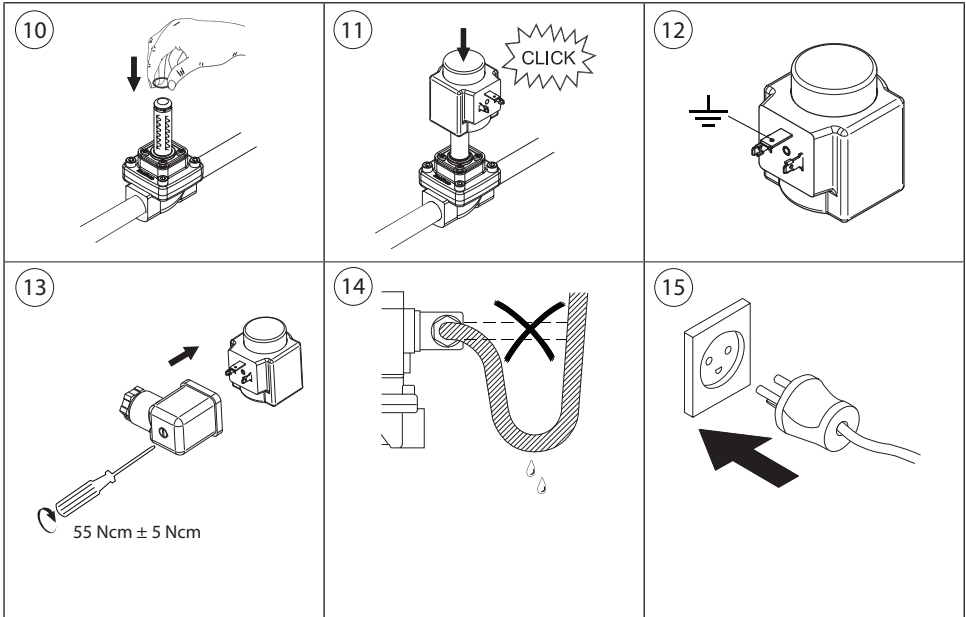
UK
CA

132R9003

132R9003

<p>(A)</p>	<p>≥ 297 Microns</p>	<p>ON OFF</p> <p>24h</p>
<p>1</p>	<p>2</p>	<p>3</p>
<p>4</p>	<p>5</p>	<p>6</p>
<p>7</p>	<p>8</p>	<p>9</p> <p>OFF</p>

Info for UK customers only: Danfoss Ltd., 22 Wycombe End, HP9 1NB, GB



Drinking water approval			
		Valid in	Certificate no.
EV250BW 10 - 22 BE	DK, SE	SCO155-18 *)	
*) http://publiccert.extweb.sp.se/sv/Product/List/ Wetted parts in accordance with DVGW, 4MS, KTW and W270			

DN	Max. Working Pressure (MWP)	Max. Test pressure (MTP)
	[bar]	[bar]
10 - 22	10	15
EN 60730-2-8		

Visit www.products.danfoss.com for further technical data
 Para más información, visite www.products.danfoss.es
 Rendez-vous sur le site www.products.danfoss.fr pour plus de données techniques