

Installation guide

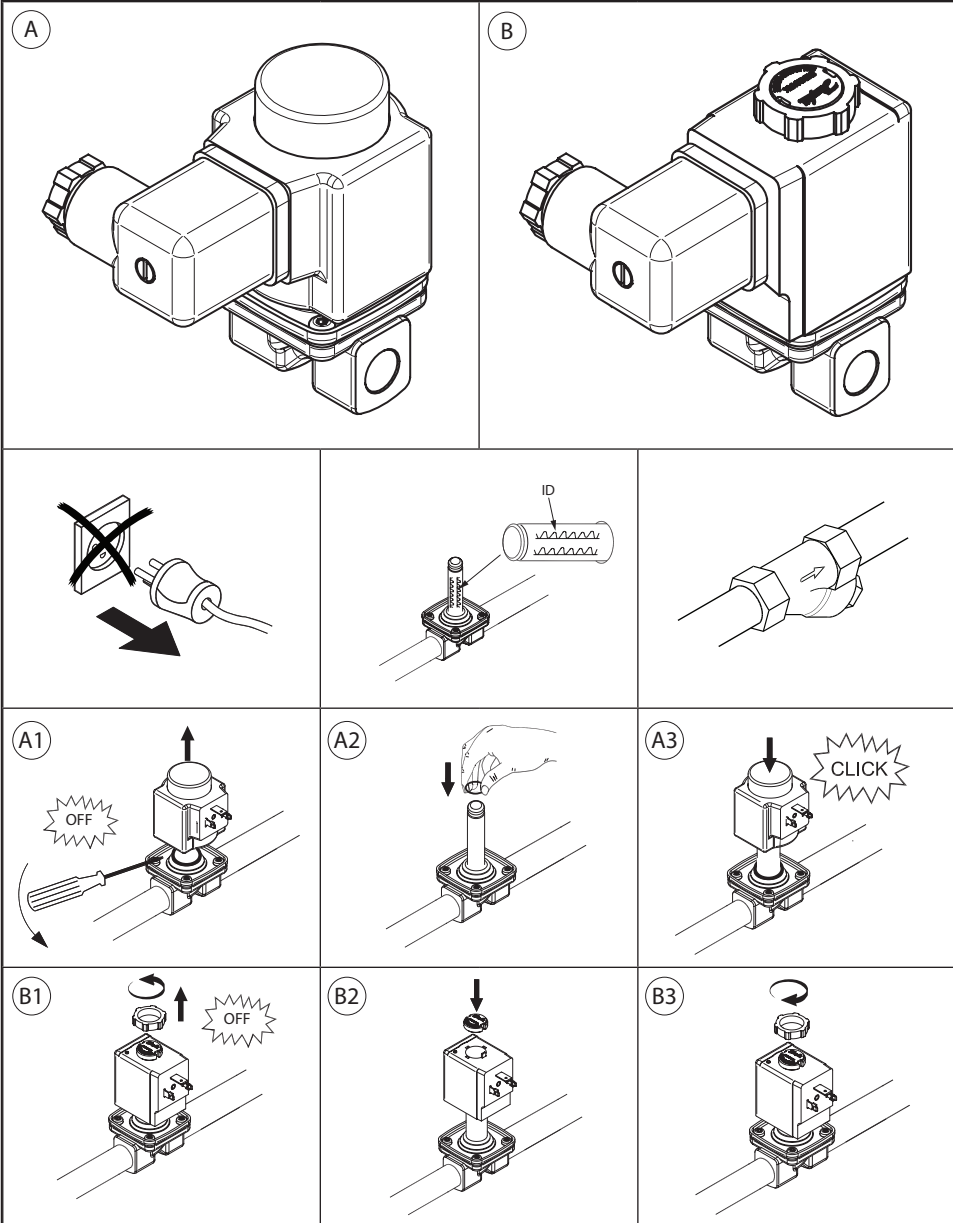
Solenoid valve

Type EV220B 6 - EV220B 22



032R9273

032R9273



Імпортер: ТОВ з іі "Данфосс ТОВ" 04080, Київ 80, пл/с 168, Україна

Info for UK customers only: Danfoss Ltd., 22 Wymcombe End, HP9 1NB, GB

4. Max. 90°

5. Max. 90°

6. [Image of electrical terminal block]

7. [Image of mounting bracket]

8. [Image of mounting bracket]

9. [Image of electrical terminal block with ground symbol]

10. [Image of electrical terminal block]

11. [Image of cable routing with a crossed-out path]

12. [Image of electrical plug and socket]

13. MTP Bar

DN	MWP	Max. test pressure
	[bar]	[bar]
6 - 10	20	PT = 30
11.5 - 22	10	PR = 15

EN 60730-2-8

Visit www.products.danfoss.com for further technical data
 Para más información, visite www.products.danfoss.es
 Rendez-vous sur le site www.products.danfoss.fr pour plus de données techniques

Any information, including, but not limited to information on selection of product, its application or use, product design, weight, dimensions, capacity or any other technical data in product manuals, catalogues descriptions, advertisements, etc. and whether made available in writing, orally, electronically, online or via download, shall be considered informative, and is only binding if and to the extent, explicit reference is made in a quotation or order confirmation. Danfoss cannot accept any responsibility for possible errors in catalogues, brochures, videos and other material. Danfoss reserves the right to alter its products without notice. This also applies to products ordered but not delivered provided that such alterations can be made without changes to form, fit or function of the product.
 All trademarks in this material are property of Danfoss A/S or Danfoss group companies. Danfoss and the Danfoss logo are trademarks of Danfoss A/S. All rights reserved.