

Installation guide

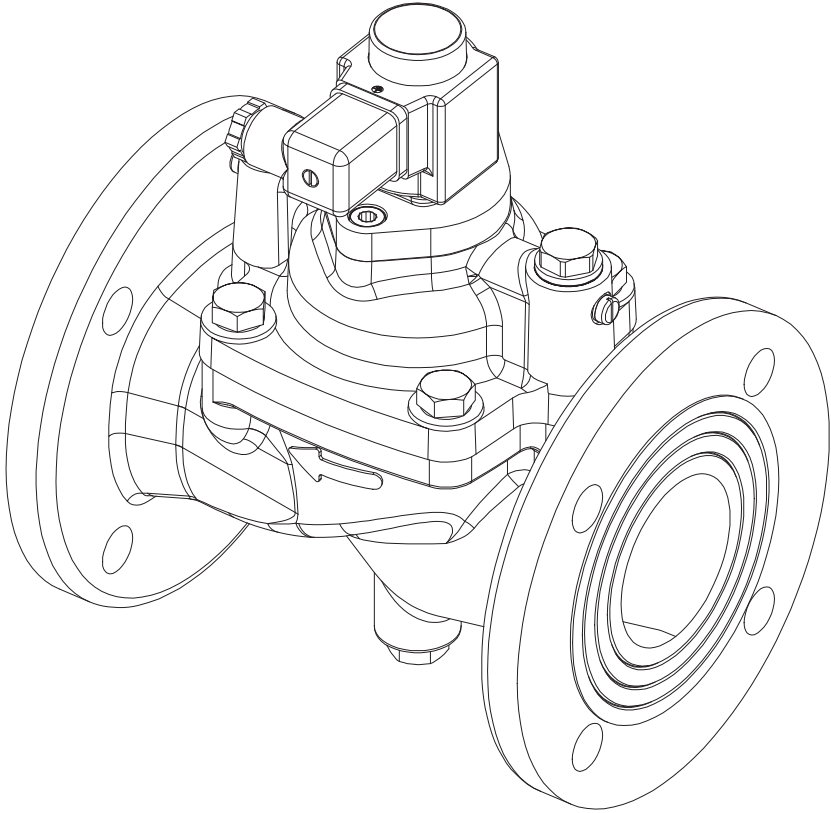
Solenoid valve

Type EV220B 65 - 100



016R9522

016R9522



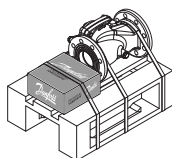
Імпортер: ТОВ з пп "Данфосс ТОВ" 04:080, Київ 80, п/с 168, Україна

Info for UK customers only: Danfoss Ltd., 22 Wycombe End, HP9 1NB, GB

The product contains



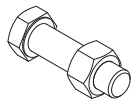
EV220B 65



EV220B 80 & 100



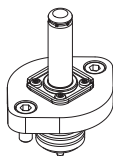
**EV220B 65 - 100
Small box**



8 pcs



2 pcs



1 pcs



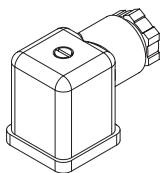
1 pcs



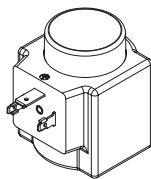
1 pcs*

*Only in case of water hammer risk, change the equalizing orifice. See page 6 for installation guide.

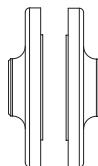
Accessories



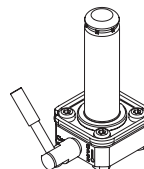
Cable plug



Coil BB/BE/BG/BY

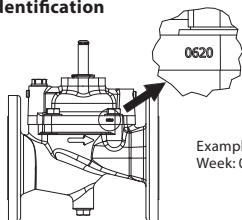


Flange set



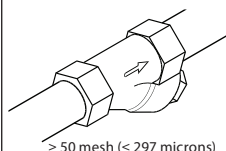
Manual override kit

Identification

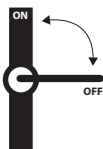


Example:
Week: 06 / year: 2020

Recommendations



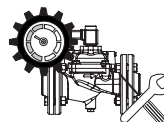
≥ 50 mesh (≤ 297 microns)

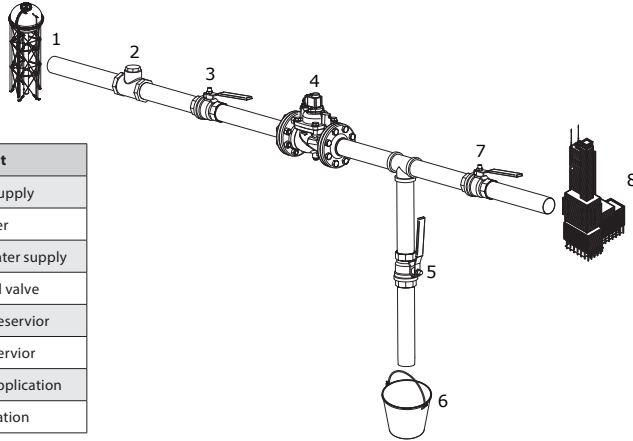


Water quality

Hardness 6 - 18 °dH
Conductivity 50 - 800 µS/cm t
Media temp. < 25°C

**Maintenance
every 6 to 12 months**

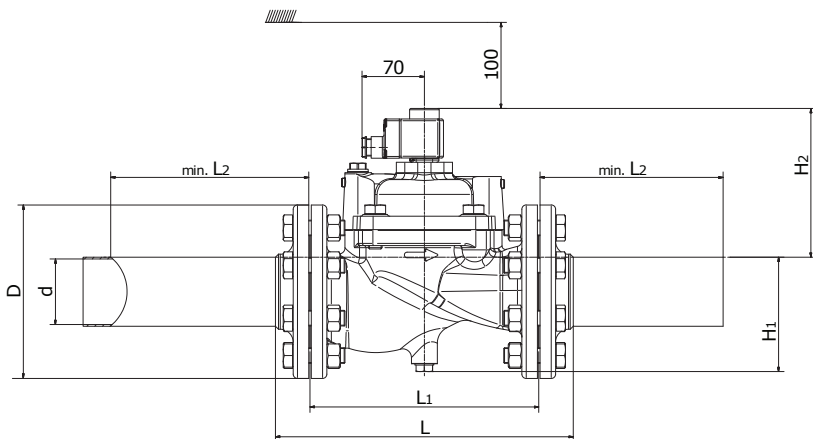




NO.	Part
1	Water supply
2	Filter
3	Ball valve, water supply
4	Solenoid valve
5	Ball, test reservoir
6	Test reservoir
7	Ball valve, application
8	Application

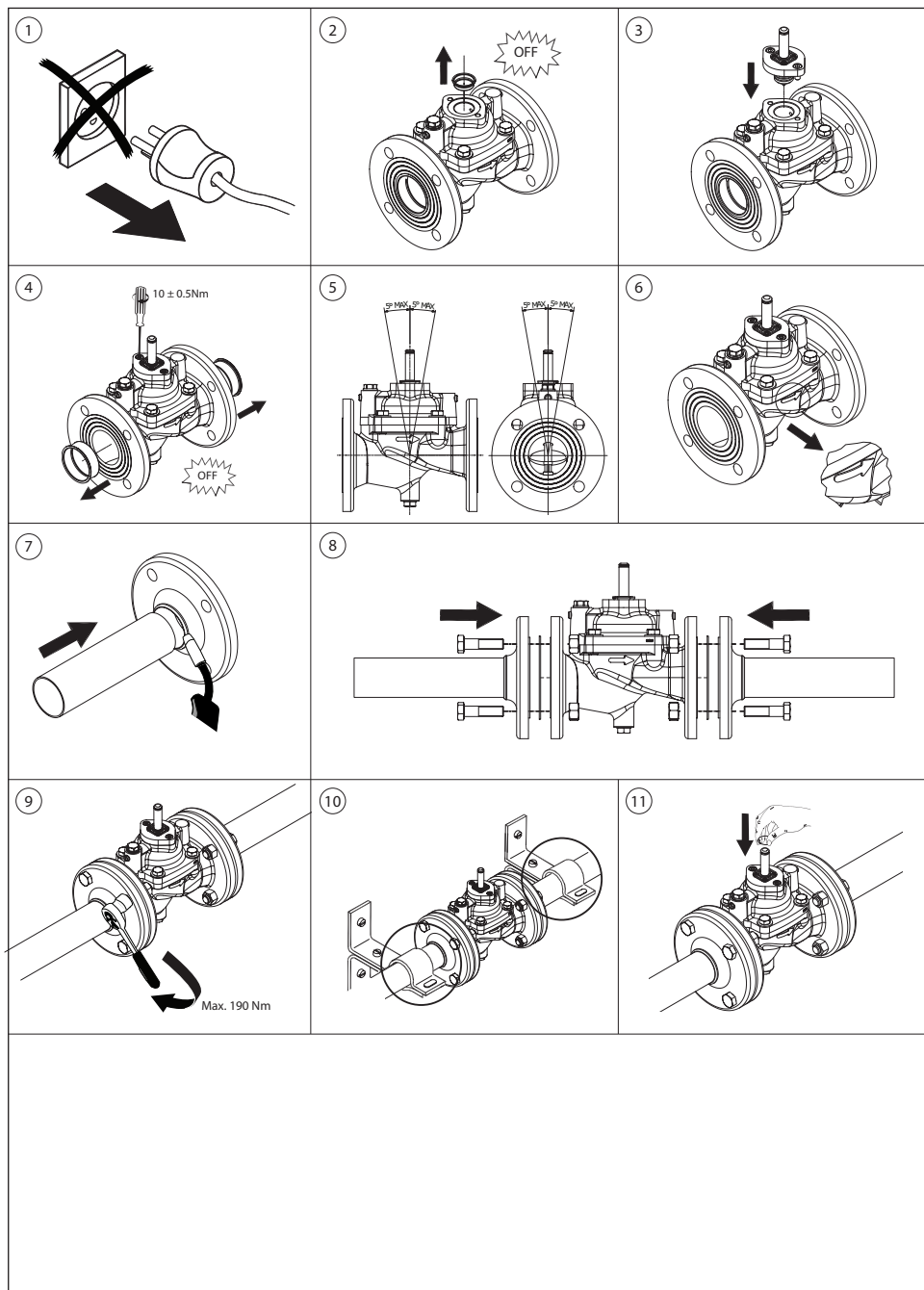


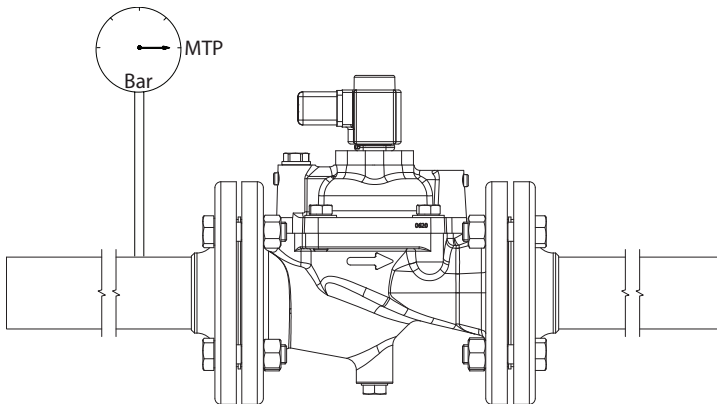
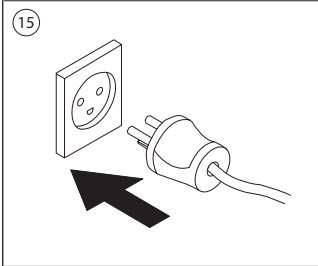
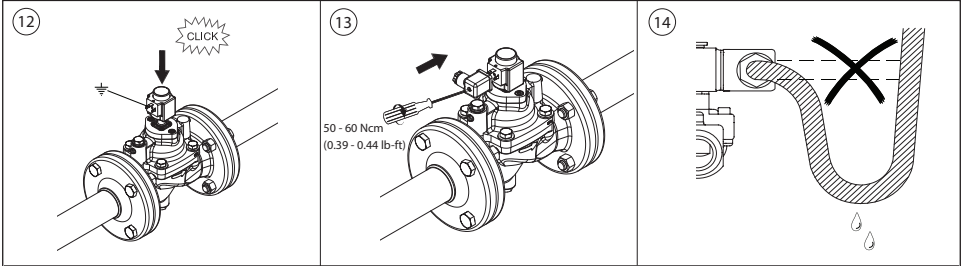
Type	L [mm]	L ₁ [mm]	Required min. L2* (mm)	B ₁ [mm] Coil type		øD [mm]	H ₁ [mm]	H ₂ [mm]	Weight without coil [kg]	Required min. inside tube diameter d** (mm)
				BB/BE	BG					
EV220B 65	320	224	300	46	66	185	85	185	24	65
EV220B 80	370	265	350	46	66	200	93	215	34	80
EV220B 100	430	315	400	46	66	220	103	240	44	100



* Avoid closing problems caused by turbulent flow it is required to have a straight tube on both sides of the valve.

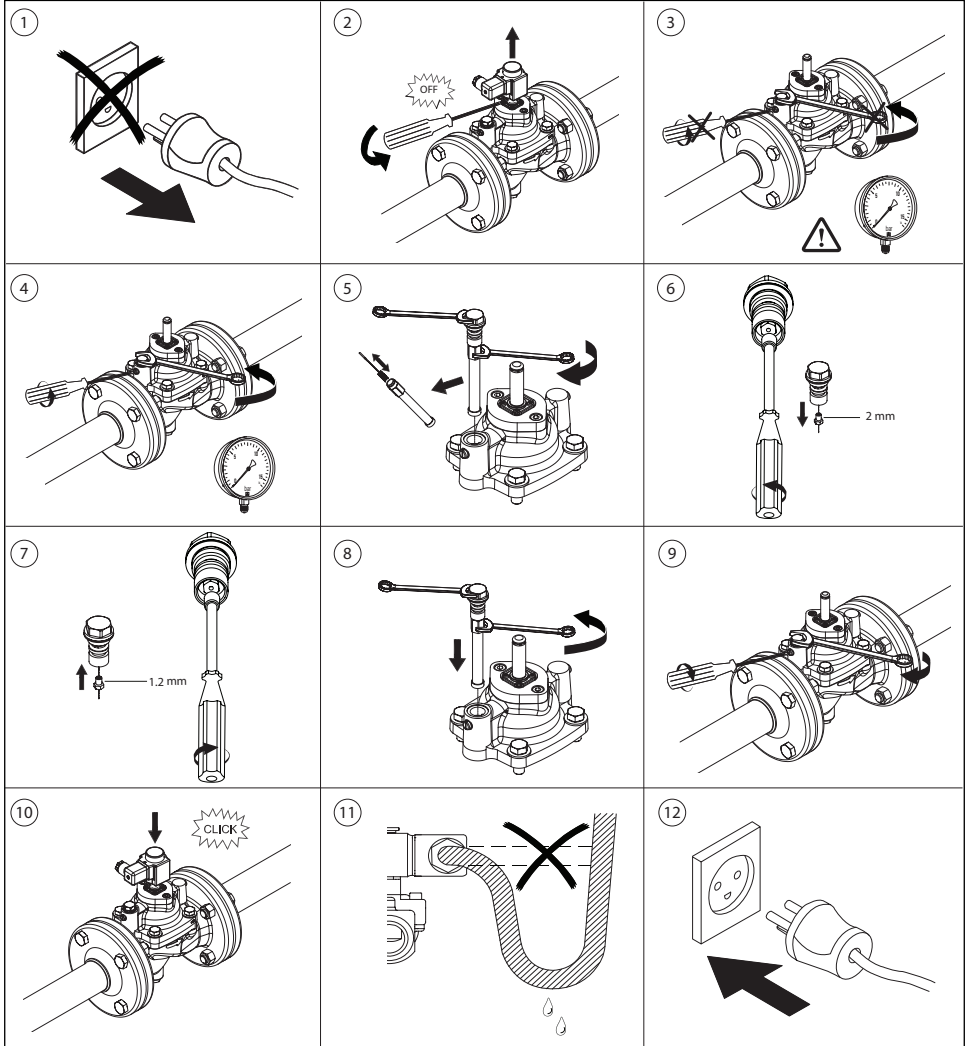
** Required to keep same tube size for entire application, same or bigger inside diameter as valve orifice 65 / 80 / 100 mm.





DN	Max. working pressure (MWP)	Max. test pressure (MTP)
	[bar]	[bar]
65 - 100	10	15

Change equalizing orifice in case of water hammer. From 2 mm to 1.2 mm equalizing orifice.



Visit www.product.danfoss.com for further technical data
 para más información, visite www.product.danfoss.es
 Rendez-vous sur le site www.products.danfoss.fr pour plus de dobbées techniques

Any information, including, but not limited to information on selection of product, its application or use, product design, weight, dimensions, capacity or any other technical data in product manuals, catalogues descriptions, advertisements, etc. and whether made available in writing, orally, electronically, online or via download, shall be considered informative, and is only binding if and to the extent, explicit reference is made in a quotation or order confirmation. Danfoss cannot accept any responsibility for possible errors in catalogues, brochures, videos and other material. Danfoss reserves the right to alter its products without notice. This also applies to products ordered but not delivered provided that such alterations can be made without changes to form, fit or function of the product.
 All trademarks in this material are property of Danfoss A/S or Danfoss group companies. Danfoss and the Danfoss logo are trademarks of Danfoss A/S. All rights reserved.