



REFRIGERATION AND AIR CONDITIONING

# Instructions

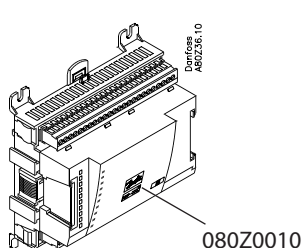
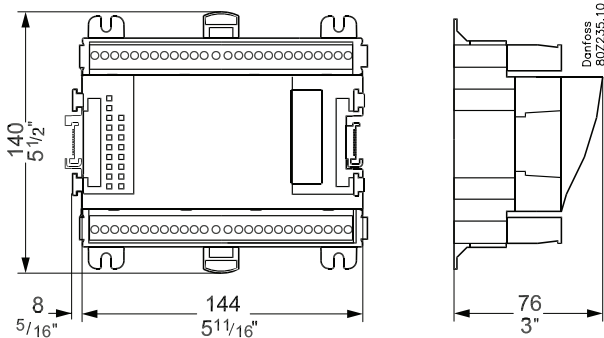
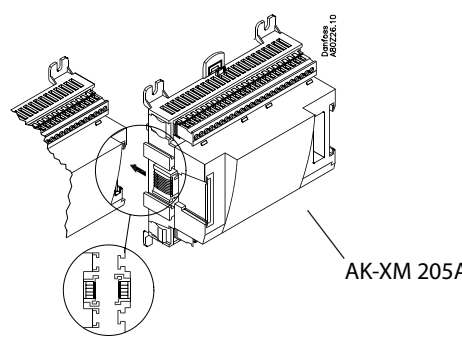
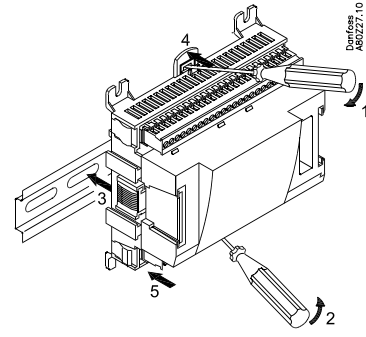

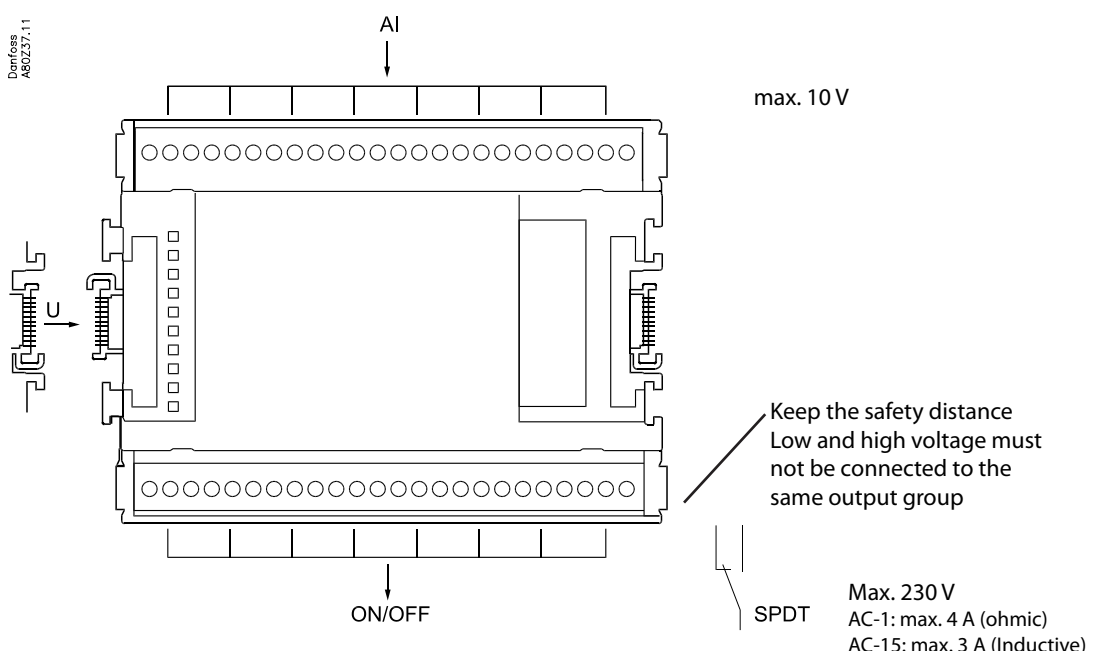
## AK-XM 205A



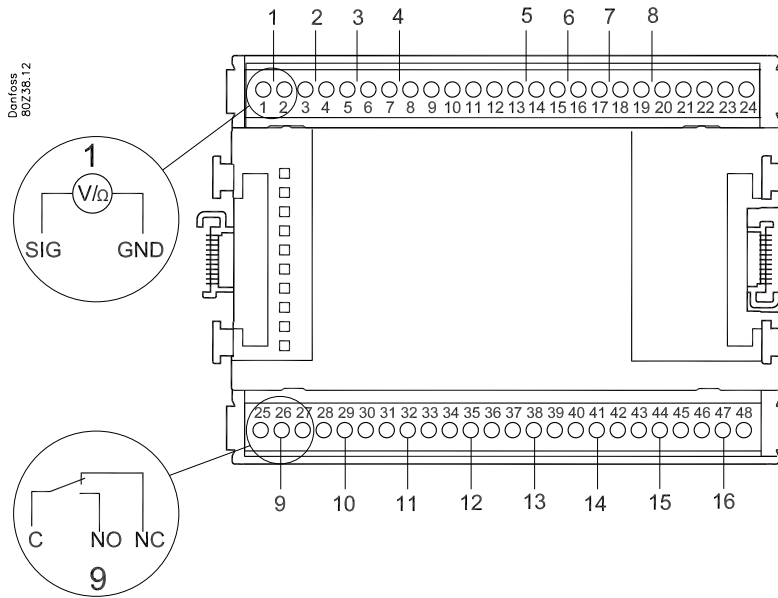
080R9217



RI8HL602

 <p>080Z0010</p>	 <p>140 5 1/2"</p> <p>8 5/16"</p> <p>144 5 1/16"</p> <p>76 3"</p> <p>Danfoss 80Z235.10</p>
 <p>AK-XM 205A</p>	 <p>1, 2, 3, 4, 5</p> <p>Danfoss 80Z235.10</p>
<p><b>CE</b></p> <p>-20° &lt; t<sub>amb</sub> &lt; 55°C</p> <p>-0°F &lt; t<sub>amb</sub> &lt; 130°F</p> <p>0 - 95% RH, non condensing</p> <p>IP10 / VBG4</p> <p>UL: E357029</p>	 <p><b>Warning</b></p> <p>Ensure power is disconnected before adding or removing Modules</p>
<p><b>AI x 8</b> <b>DO x 8</b></p> <p>Danfoss A60Z37.11</p> <p>AI</p> <p>max. 10 V</p> <p>Keep the safety distance Low and high voltage must not be connected to the same output group</p> <p>ON/OFF</p> <p>SPDT</p> <p>Max. 230 V AC-1: max. 4 A (ohmic) AC-15: max. 3 A (Inductive)</p> 	

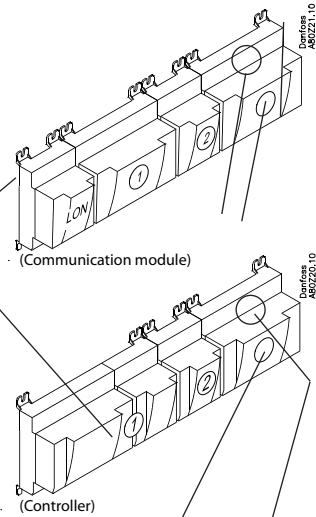
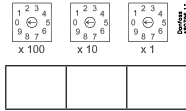
**Point**



- Terminal 9: 12V
- Terminal 10: 5V
- Terminal 21: 12V
- Terminal 22: 5V
- Terminal 11, 12, 23, 24:

	Signal	Signal type
<b>S (sensor)</b> Pt 1000 ohm/0°C 	S1 S2 Saux1 Saux2 SSA SdA	Pt 1000
<b>P (pressure)</b> AKS 32R AKS 2050  AKS 32 	P0A P0B PcA PcB Paux	AKS 32R AKS 2050 MBS 8250 -1 - xx bar  AKS 32 -1 - zz bar
<b>U (voltage)</b> 	...	0 - 5 V 0 - 10 V
<b>On/Off</b> 	Ext. Main switch  Day/ Night  Door	<b>Active at:</b>  Closed / Open
<b>DO</b> 	Comp 1 Comp 2 Fan 1 Alarm	<b>Active at:</b>  ON / OFF

**Address**



Signal	Signal type / Active at	Module	Point	Terminals
			1 (AI 1)	1 - 2
			2 (AI 2)	3 - 4
			3 (AI 3)	5 - 6
			4 (AI 4)	7 - 8
			5 (AI 5)	13 - 14
			6 (AI 6)	15 - 16
			7 (AI 7)	17 - 18
			8 (AI 8)	19 - 20
			9 (DO 1)	25-26-27
			10 (DO 2)	28-29-30
			11 (DO 3)	31-32-33
			12 (DO 4)	34-35-36
			13 (DO 5)	37-38-39
			14 (DO 6)	40-41-42
			15 (DO 7)	43-44-45
			16 (DO 8)	46-47-48

The Product contains electrical components and may not be disposed together with domestic waste. Equipment must be separately collected with Electrical and Electronic waste. According to Local and currently valid legislation.