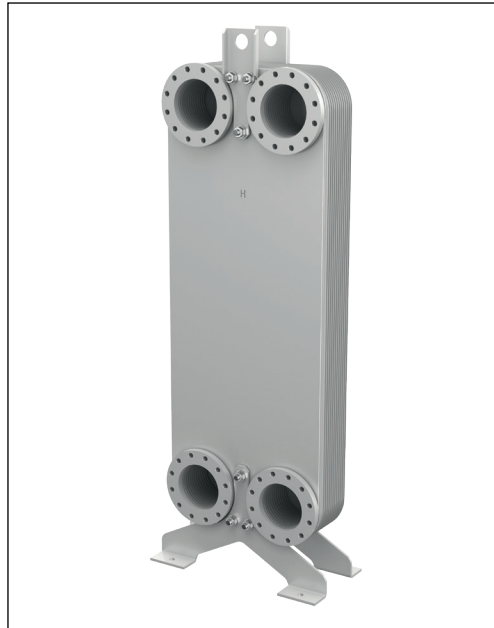


Data sheet

# Micro Plate Heat Exchanger (MPHE): XB71

Description



Micro Plate Heat Exchangers - a revolutionary technology from Danfoss.

Characterized by their unique plate pattern, MPHEs enable heat to be transferred more effectively than any previous model of heat exchangers.

Benefits:

- Energy and cost savings
- Better heat transfer
- Lower pressure loss
- More flexible design
- Longer life time

more on:

[MPHE.danfoss.com](http://MPHE.danfoss.com)

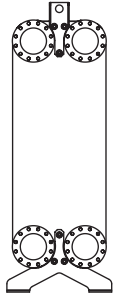
XB71 is copper brazed heat exchanger, designed and configured for District Heating, District Cooling and other Heating applications.

Approval:

Pressure Equipment Directive (PED).

Ordering

1-pass heat exchanger XB 71

Picture	No. of plates, n	XB 71H
		Code No.
	50	<b>079G1005</b>
	60	<b>079G1006</b>
	70	<b>079G1007</b>
	80	<b>079G1008</b>
	90	<b>079G1009</b>
	100	<b>079G1010</b>
	110	<b>079G1011</b>
	120	<b>079G1012</b>
	140	<b>079G1013</b>
	160	<b>079G1014</b>
	180	<b>079G1015</b>
	200	<b>079G1016</b>
	220	<b>079G1017</b>
	240	<b>079G1018</b>
	260	<b>079G1019</b>
280	<b>079G1020</b>	

Notes:

Brackets are supplied together with heat exchanger.  
XB71 is provided with compac flanges, installing with standard flanges is not possible. Recommended are Danfoss counter flanges. Counter compact flanges needs to be ordered separately.

Insulation XB 71 (mm)

Polyurethane shell with aluminium cover (PU)	
H	Code No.
50-90	<b>079G1080</b>
91-140	<b>079G1081</b>
141-180	<b>079G1082</b>
181-260	<b>079G1083</b>
261-280	<b>079G1084</b>

Self-adhesive Armaflex insulation (AR)	
H	Code No.
50-80	<b>079G1093</b>
81-120	<b>079G1094</b>
121-160	<b>079G1095</b>
161-220	<b>079G1096</b>
221-280	<b>079G1097</b>
-	<b>079G1098</b>

**Ordering (continuous)**
**Accessories - Counter compact-flanges**

Type	Material	Code No.
Counter compact flange set XB71 DN100 CS 2pcs <sup>1)</sup>	mild steel	<b>079G1070</b>
Counter compact flange set XB71 DN100 StS 2pcs <sup>2)</sup>	stainless steel	<b>079G1071</b>
O-ring gaskets DN100 I-pack (Heating and Cooling) 4pcs	Viton FKM 80	<b>079G1072</b>
O-ring gaskets DN100 I-pack (DHW) 4pcs	Viton VI665	<b>079G1073</b>

<sup>1)</sup> Counter flanges (2 pcs) of mild steel including O-rings (Heating, Colling) and bolts.

<sup>2)</sup> Counter flanges (2 pcs) of stainless steel 1.4404 including O-rings (Drinking water DHW) and bolts. (FDA: 21CFR Ch I § 177.2600)

**Technical data**
**Heat exchanger XB71**

Type		XB 71H-1
Max working pressure	bar	25
Min. / Max. temperature	°C	-196 / 180
Flow medium		DH: Circulation water / glycolic water up to 50% DC: ethylene-, propylene-glycolic water, ethanol-water solutions and other suitable heat transfer media. (Please contact your Danfoss representative.)
Volume / Channel	Ltr	0.519
Connections		Compac Flange DN100 1.4404 PN25
Weight 1-pass	kg	29.1+0.97×NoP
<b>Materials</b>		
Plate material		Stainless steel, mat. no. 1.4404 (316L)
Brazing		Copper

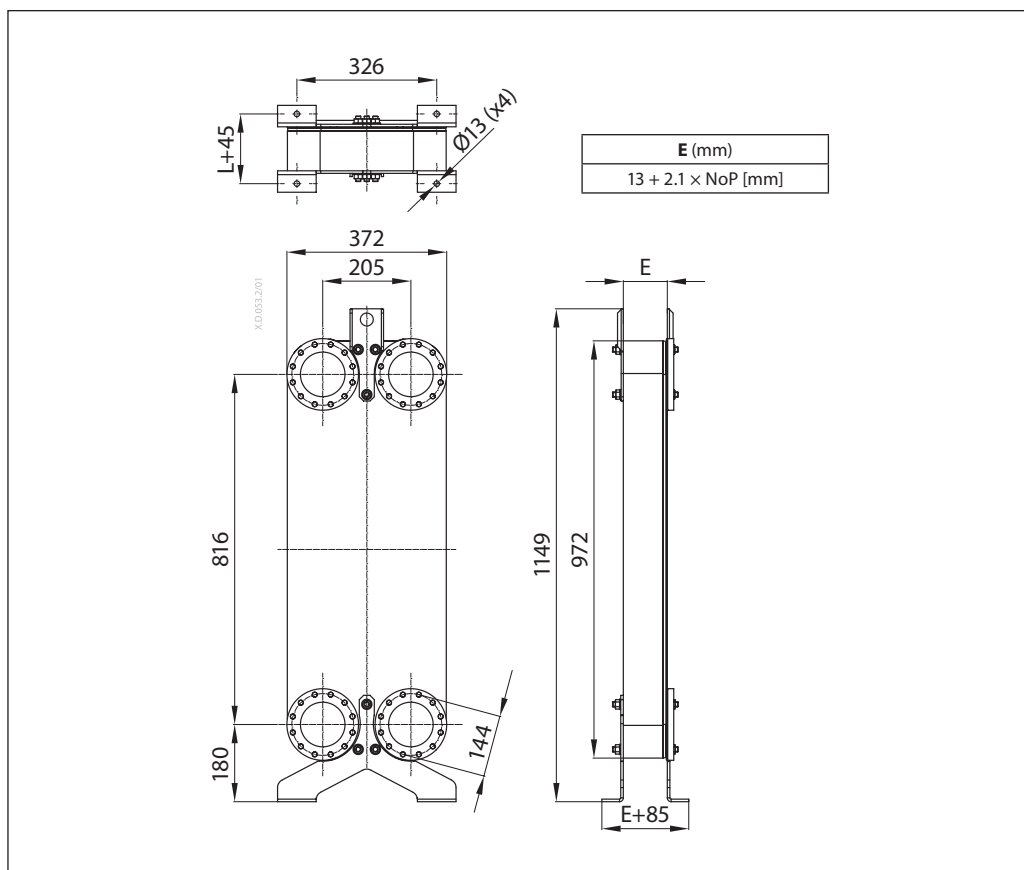
**Insulation**

Type		Polyurethane shell with aluminium cover (PU)	Self-adhesive Armaflex insulation (AR)
Wall thickness	mm	40	19-19
Heat conductivity λ	W/mK	0.024	0.033
Max. temperature	Permanent	°C	85
	Short term peak		110
Surface finish		Aluminium cover RAL 9006	RAL 9011

**Note:**

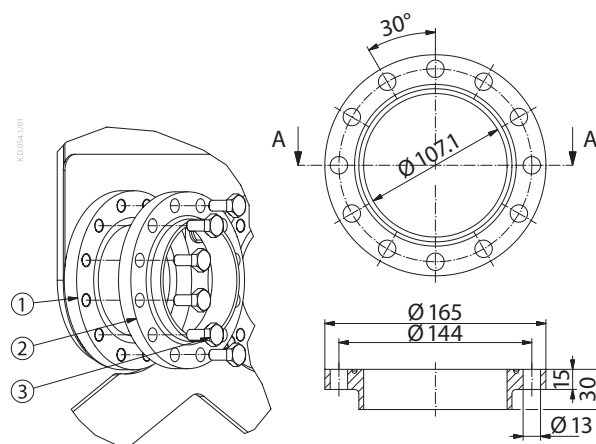
For more details about insulation please contact your Danfoss sales representative.

Dimensions



Compact counter flange

1. Connection ring
2. Compact counter flange
3. Screw



Flanges on the heat exchangers are without grooves for O-rings. 2 pcs of O-rings (for heating applications) are supplied in counter flanges set (with grooves). 2 pcs of O-rings, approved for drinking water applications, are supplied in counter flanges set (with grooves). They must be mounted on domestic hot water (DHW) side to replace existing O-rings. Bolts and nuts are included in counter flanges set only. Recommended type: hexagon bolt M12, DIN 933, quality 8.8, galvanized, length 25 mm, 12 pieces of bolts and nuts per each counter flange.

Insulation

(PU)

Type	L (mm)	Code No.
PU Ins XB71	350	<b>079G1080</b>
	445	<b>079G1081</b>
	545	<b>079G1082</b>
	705	<b>079G1083</b>
	925	<b>079G1084</b>

(AR)

Type	L (mm)	Code No.
AR Ins XB71	142	<b>079G1093</b>
	222	<b>079G1094</b>
	312	<b>079G1095</b>
	432	<b>079G1096</b>
	582	<b>079G1097</b>
	752	<b>079G1098</b>

**Danfoss A/S**

Climate Solutions • danfoss.com • +45 7488 2222

Any information, including, but not limited to information on selection of product, its application or use, product design, weight, dimensions, capacity or any other technical data in product manuals, catalogues descriptions, advertisements, etc. and whether made available in writing, orally, electronically, online or via download, shall be considered informative, and is only binding if and to the extent, explicit reference is made in a quotation or order confirmation. Danfoss cannot accept any responsibility for possible errors in catalogues, brochures, videos and other material. Danfoss reserves the right to alter its products without notice. This also applies to products ordered but not delivered provided that such alterations can be made without changes to form, fit or function of the product.

All trademarks in this material are property of Danfoss A/S or Danfoss group companies. Danfoss and the Danfoss logo are trademarks of Danfoss A/S. All rights reserved.