



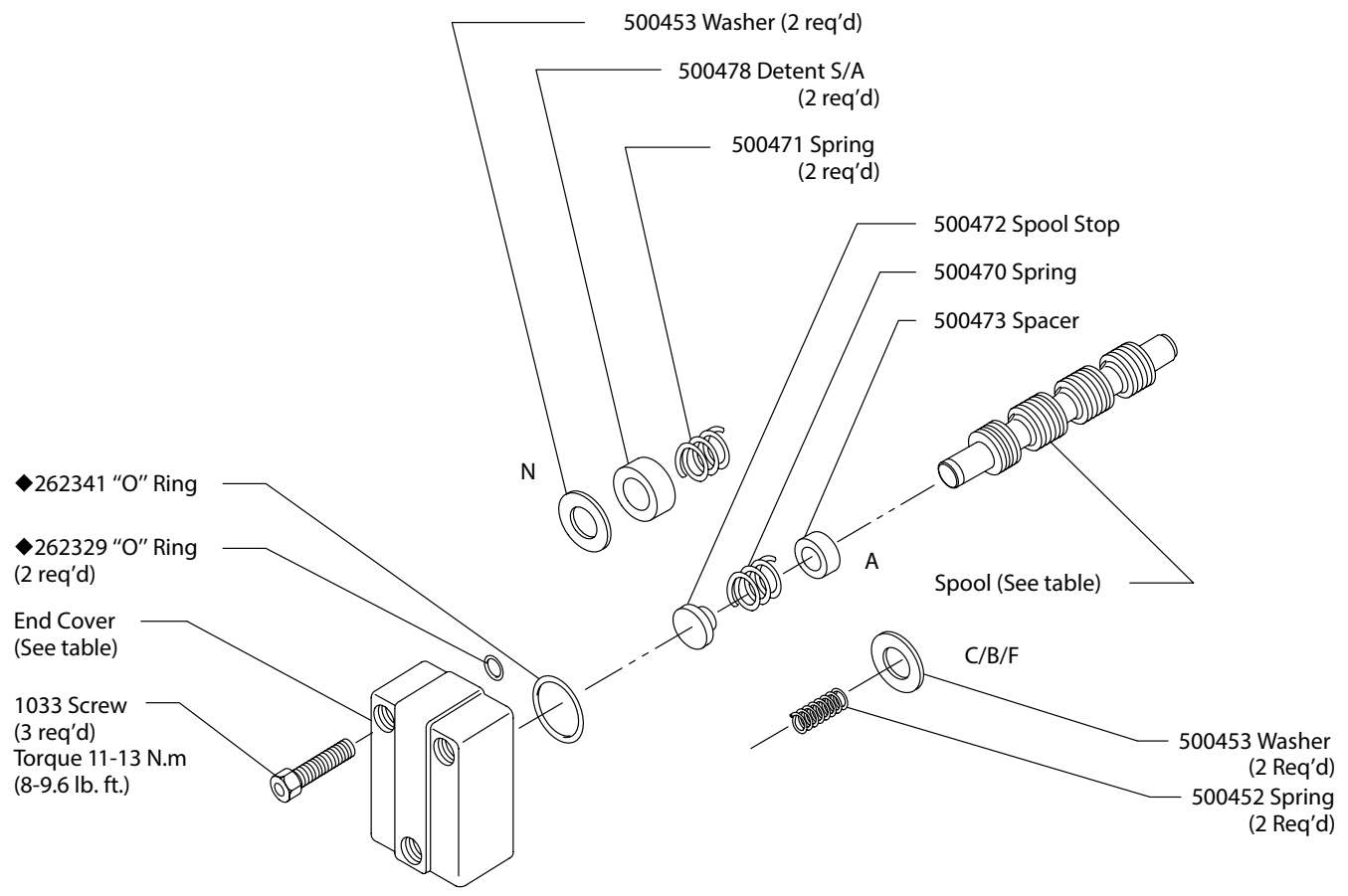
Directional Control Valve

(F3) - DG5S4-02-**(L)-30

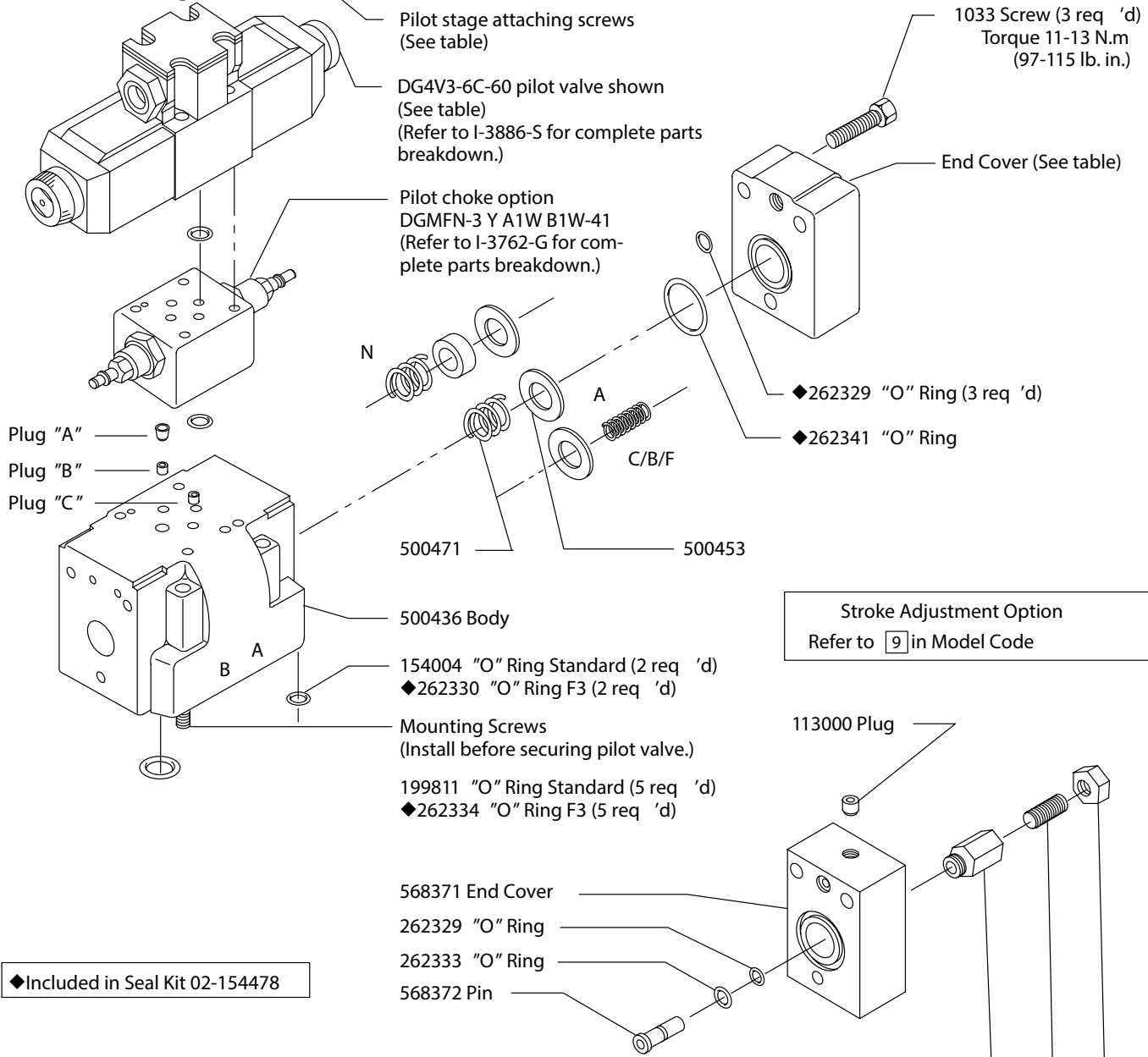
Spool/Spring Arrangement			
Spool Type	A	B,C,F	N
0	500438	500438	500481
1*	_____	500442	_____
2	500437	500437	500480
3*	_____	500440	_____
4	_____	500450	_____
6	500439	500439	500482
7	_____	500444	_____
8	_____	500448	_____
9	500447	500447	500483
11**	_____	500442	_____
31**	_____	500440	_____
33	_____	500449	500484

Model	End Cover
A,B,C,F	500451
N	500474
Stroke Adjustment	568371

*Assemble type "1" and "3" spools with narrow center land toward "A" end of valve.
 **Assemble type "11" and "31" spools with narrow center land toward "B" end of valve.



Pilot Stage Attaching Screws (4 req'd)	
Without Pilot Choke and U, P, F, SP1, or SP2 coils	51969
Without Pilot Choke and X1, X2 coils	582176
With Pilot Choke and U, P, F, SP1, or SP2 coils	207897
With Pilot Choke and X1, X2 coils	207900
Torque 4.5-5.7 N.m (39.9-50.5 lb. in.)	



Model	Plug "A"	Plug "B"	Plug "C"
DG5S4-02-*M-*.*.*0	237588	Omit	276761
DG5S4-02-X-M-*.*.*0	Omit	Omit	
DG5S4-02-*E-M-*.*.*0	237588	93676	
DG5S4-02-*T-M-*.*.*0	237588	Omit	Omit
DG5S4-02-*E-T-M-*.*.*0	237588	93676	Omit
237588 Orifice Plug (∅ 0.062)			

Valve Model	Main Stage Spool	Pilot Valve Model
DG5S4-02-*A(P)(L)-*0	0,2,6,9	DG4V3-2A-60
DG5S4-02-*B/F(P)(L)-*0	0,1,2,3,6,7,9,11,31,33	DG4V3-6B/6F-60
	4,8,	DG4V3-68B/68F
DG5S4-02-*N-*0	0,2,6,9,33	DG4V3-2N-60
DG5S4-02-C-*0	0,1,2,3,4,6,7,8,9,11,31,33	DG4V -3-6C-60

Model Code

(F3) - DG5S4- 02 - * * (L)- ** - * - * - * - * - (V)(M)- (SX) - * * * * - (L)- * - ***_*0**

1 2 3 4 5 6 7 8 9 10 11 12 13 14 15 16 17 18 19 20 21 22 23 24

<p>1 Seal Material F3 - Seals for mineral oil and fire resistant fluids Blank - Standard seals</p>	<p>9 Spool Control Modifications (Con 't) 7 - Stroke adjustment cyl "A" end only (not available on N and AL) 8 - Stroke adjustment cyl "B" end only (not available on N and AL) 2-7 - Pilot choke & stroke adjustment, cyl "A" end (not available on N and AL) 2-8 - Pilot choke & stroke adjustment, cyl "B" end (not available on N and A models)</p>	<p>16 Coil Type U - ISO 4400 (DIN 43650) P - Plug-in coil F - Flying lead SP1 - Single 6.3mm spade to IEC 760 SP2 - Dual 6.3mm spade to IEC 760 X1 - Flame proof solenoids to EEX-O-11B-T4 X2 - Special protection solenoids to CSA/UL</p>
<p>2 Model Series DG5S4 - Directional control valve, manifold or gasket mounted, solenoid controlled, pilot operated, sliding spool action, flow direction - four way</p>	<p>10 External Pilot Pressure E - External pilot pressure (Omit for internal pilot pressure models.)</p>	<p>17 Electrical Plug Features (F type coils only) T - Wired terminal block PA - Insta-plug male connector only PB - Insta-plug male and female receptacles PA3 - NFFPA 3-pin conduit connector PA5 - NFFPA 5-pin conduit connector</p>
<p>3 Valve Series 02 - 20 series valve size</p>	<p>11 Pilot Drain T - Internal pilot drain (Omit for external pilot drain.)</p>	<p>18 Housing (F type coils only) W - Wiring housing with 1/2" NPT thread connectors J - 20mm thread</p>
<p>4 Spool Type</p> <p>5 Spool/Spring Arrangement A - Spring offset to A B - Spring centered, shift to offset C - Spring centered F - Spring offset, shift to center N - No spring, detented</p>	<p>12 Mounting Screw Option Blank - 2500 - 20 UNC-2A screws M - M6X1 - 6g screws</p>	<p>19 Electrical Options 1 - ISO 4400 with fitted plug (U type coils only) 7 - Surge damper</p>
<p>6 Left Hand Assembly L - Single solenoid models only (Omit for right hand assembly.)</p>	<p>13 Solenoid Energization Identity Blank - Standard arrangement for ANSI B93.9 (i.e. energize solenoid "A" to allow flow "P" to "A") V - Solenoid identification determined by position of solenoid (i.e. solenoid "A" at port "A" end/solenoid "B" at port "B" end). Note: Type 4 & 8 spools are always V</p>	<p>20 Solenoid Indicator Lights L - For models with flying lead "F" and terminal block "T" only (Omit if not required.)</p>
<p>7 Manual Operator in Pilot Valve End Cap H - Overrides in solenoid ends only H2 - Waterproof overrides in both ends of single solenoid P2 - Overrides in both ends of single solenoid Y - Lockable manual overrides in solenoid ends only (DC only) Z - No overrides in either end</p>	<p>14 Flag Symbol Heading Electrical Options & Features</p>	<p>21 Coil Identification Letter (Refer to I-3886-S)</p>
<p>8 Response X - Fast response (Omit for standard models.)</p>	<p>15 Spool Position Monitor Switch (A, B, and F models only) S1* - Proximity switch, normally open S2* - Proximity switch, normally closed S3** - Limit switch, normally open S4** - Limit switch, normally closed S5*** - Limit switch - unwired *Available on U models only **Available on PA, PB, PA5 models only ***Available on FW & FJ models only</p>	<p>22 Tank Pressure Rating 2 - 10 bar (145 psi) switch models 4 - 70 bar (1000 psi) hazardous models 6 - 160 bar (2285 psi) A.C. models 7 - 210 bar (3000 psi) D.C. models</p>
<p>9 Spool Control Modifications (Omit if not required.) 1 - Stroke adj. both ends (used w/B, C, and F spool/spring arrangement only) 2 - Pilot choke adjustments, all models 3 - Pilot choke & stroke adjustment, both ends (B, C, and F models only)</p>		<p>23 Pilot Valve Port Orifices (Omit if not required.)</p>
		<p>24 Design 20 - DG4V3S - 60 pilot valve 30 - DG4V3 - 60 pilot valve</p>

For satisfactory service life of these components in industrial applications, use full flow filtration to provide fluid which meets ISO cleanliness code 18/15 or cleaner. Selections from Danfoss OFF, OFR, and OFRS series are recommended.

Products we offer:

- Cartridge valves
- DCV directional control valves
- Electric converters
- Electric machines
- Electric motors
- Gear motors
- Gear pumps
- Hydraulic integrated circuits (HICs)
- Hydrostatic motors
- Hydrostatic pumps
- Orbital motors
- PLUS+1® controllers
- PLUS+1® displays
- PLUS+1® joysticks and pedals
- PLUS+1® operator interfaces
- PLUS+1® sensors
- PLUS+1® software
- PLUS+1® software services, support and training
- Position controls and sensors
- PVG proportional valves
- Steering components and systems
- Telematics

Hydro-Gear

www.hydro-gear.com

Daikin-Sauer-Danfoss

www.daikin-sauer-danfoss.com

Danfoss Power Solutions is a global manufacturer and supplier of high-quality hydraulic and electric components. We specialize in providing state-of-the-art technology and solutions that excel in the harsh operating conditions of the mobile off-highway market as well as the marine sector. Building on our extensive applications expertise, we work closely with you to ensure exceptional performance for a broad range of applications. We help you and other customers around the world speed up system development, reduce costs and bring vehicles and vessels to market faster.

Danfoss Power Solutions – your strongest partner in mobile hydraulics and mobile electrification.

Go to www.danfoss.com for further product information.

We offer you expert worldwide support for ensuring the best possible solutions for outstanding performance. And with an extensive network of Global Service Partners, we also provide you with comprehensive global service for all of our components.

Local address:

**Danfoss
Power Solutions (US) Company**
2800 East 13th Street
Ames, IA 50010, USA
Phone: +1 515 239 6000

**Danfoss
Power Solutions GmbH & Co. OHG**
Krokamp 35
D-24539 Neumünster, Germany
Phone: +49 4321 871 0

**Danfoss
Power Solutions ApS**
Nordborgvej 81
DK-6430 Nordborg, Denmark
Phone: +45 7488 2222

**Danfoss
Power Solutions Trading
(Shanghai) Co., Ltd.**
Building #22, No. 1000 Jin Hai Rd
Jin Qiao, Pudong New District
Shanghai, China 201206
Phone: +86 21 2080 6201

Danfoss can accept no responsibility for possible errors in catalogues, brochures and other printed material. Danfoss reserves the right to alter its products without notice. This also applies to products already on order provided that such alterations can be made without subsequent changes being necessary in specifications already agreed. All trademarks in this material are property of the respective companies. Danfoss and the Danfoss logotype are trademarks of Danfoss A/S. All rights reserved.