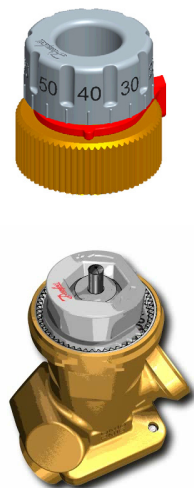


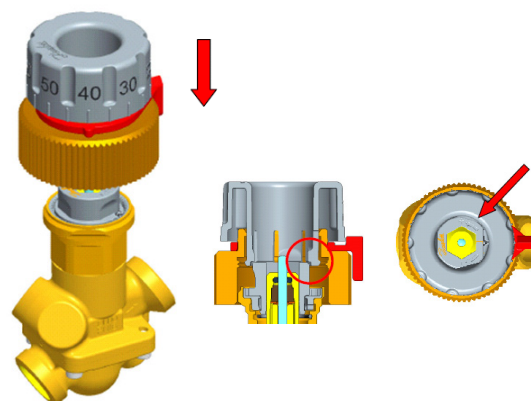
Installation Guide

AB-QM (DN 10-32) Setting tool



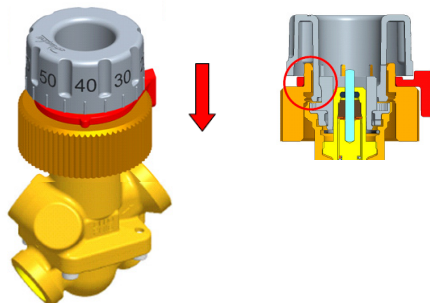
Setting procedure:

Step 1a. Positioning of pre-setting tool



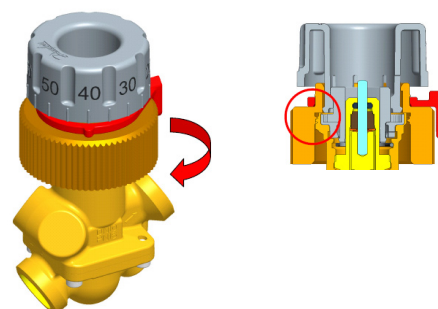
Setting procedure:

Step 1b. Positioning of pre-setting tool



Setting procedure:

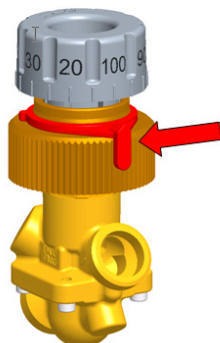
Step 2. Mounting of lower part (1/2 turn)



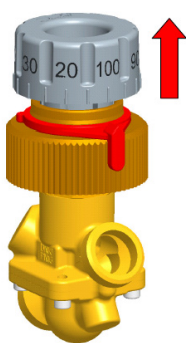
Setting procedure:

Step 3a. Pre-setting (factory setting is 100%)

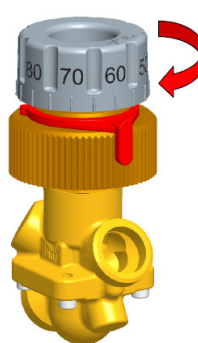
Position of indicator ring



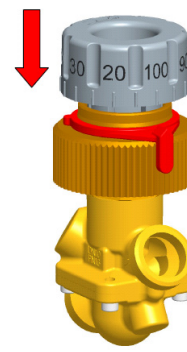
Button up



Button rotating of desired setting



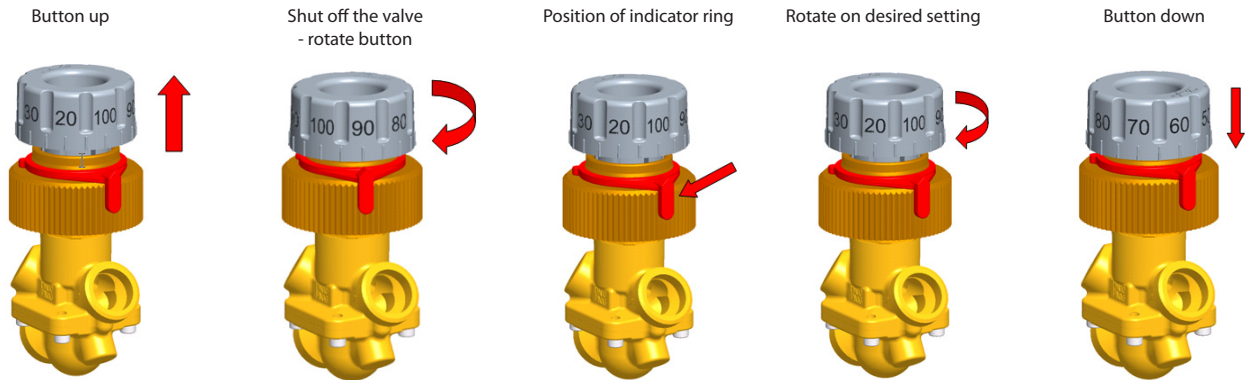
Button down



Installation Guide AB-QM (DN 10-32) Setting tool

Setting procedure:

Step 3b. Pre-setting (factory setting is 100%)



Setting procedure:

Step 4. Demounting the tool

