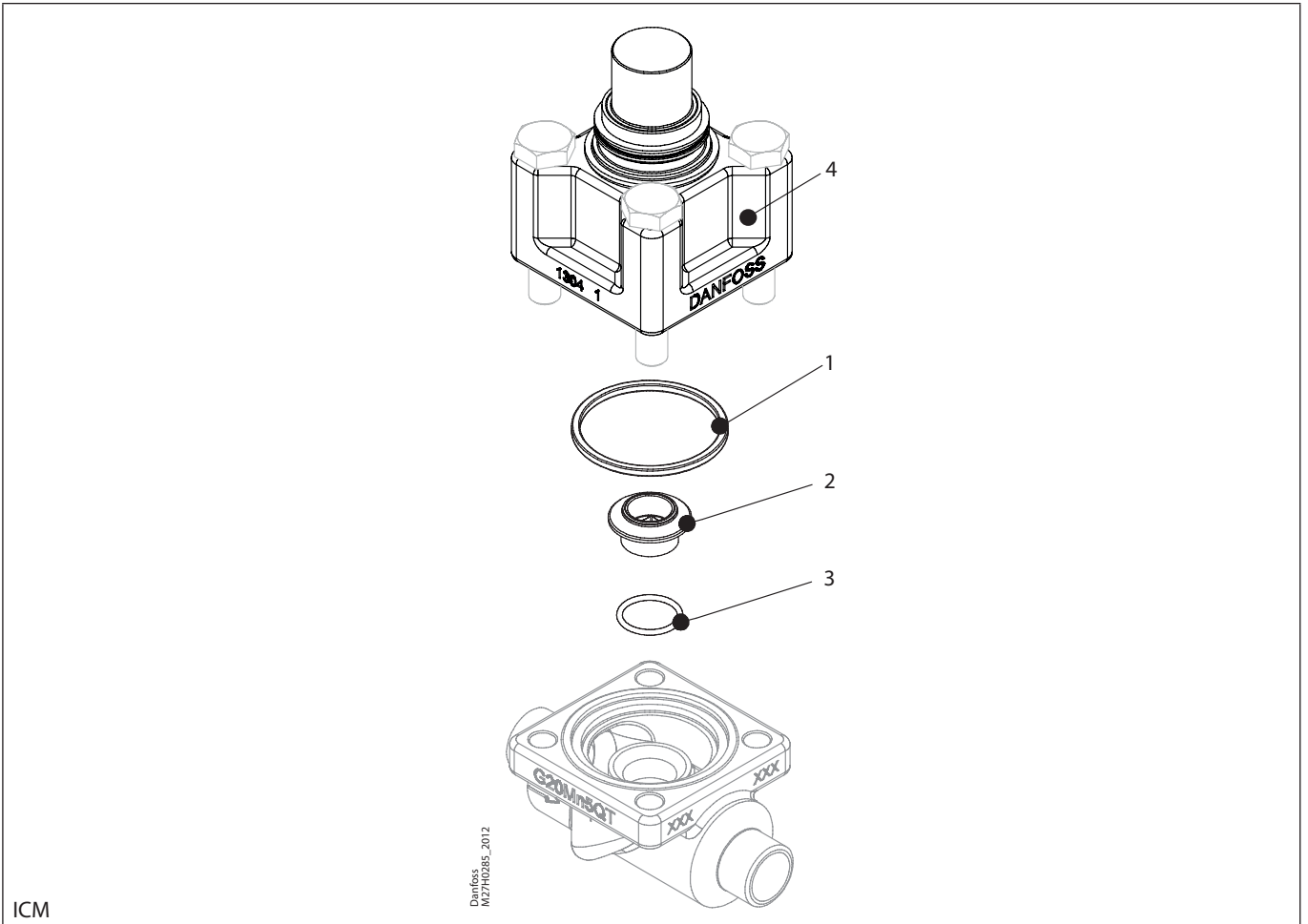


Installation guide – Spare parts and accessories

Overhaul kit | Code number 027H1181
 ICM, size 20B



ICM

<p>1</p> <p>Total no. = 1</p>	<p>2</p> <p>Total no. = 1</p>	<p>3</p> <p>Total no. = 1</p>	<p>4</p> <p>Cone type B: 6.5mm 0.26"</p> <p>Total no. = 1</p>
--------------------------------------	--------------------------------------	--------------------------------------	--