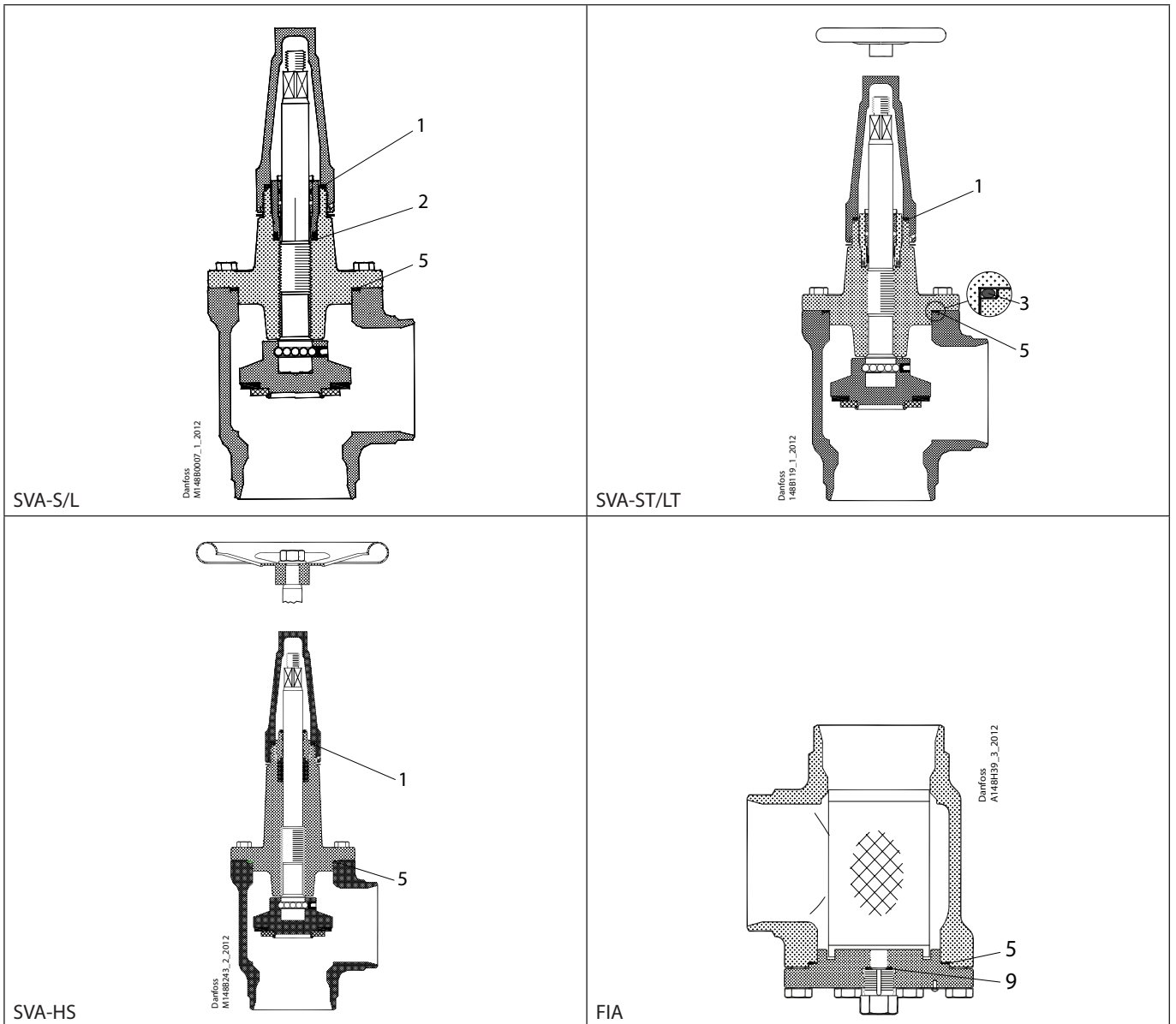


Installation guide – Spare parts and accessories

Inspection kit | Code number 148B6058
SVA-S/L, SVA-ST/LT, SVA-HS, FIA size 150



| | | | | |
|--|---|--------------------------------------|--|---|
| <p>1</p> <p> = Nylon</p> <p>Total no. = 1</p> | <p>2</p> <p> = Alu.</p> <p>Total no. = 1</p> | <p>3</p> <p>Total no. = 1</p> | <p>5</p> <p> = Fibre</p> <p>Total no. = 1</p> | <p>9</p> <p> = Alu.</p> <p>Total no. = 1</p> |
|--|---|--------------------------------------|--|---|