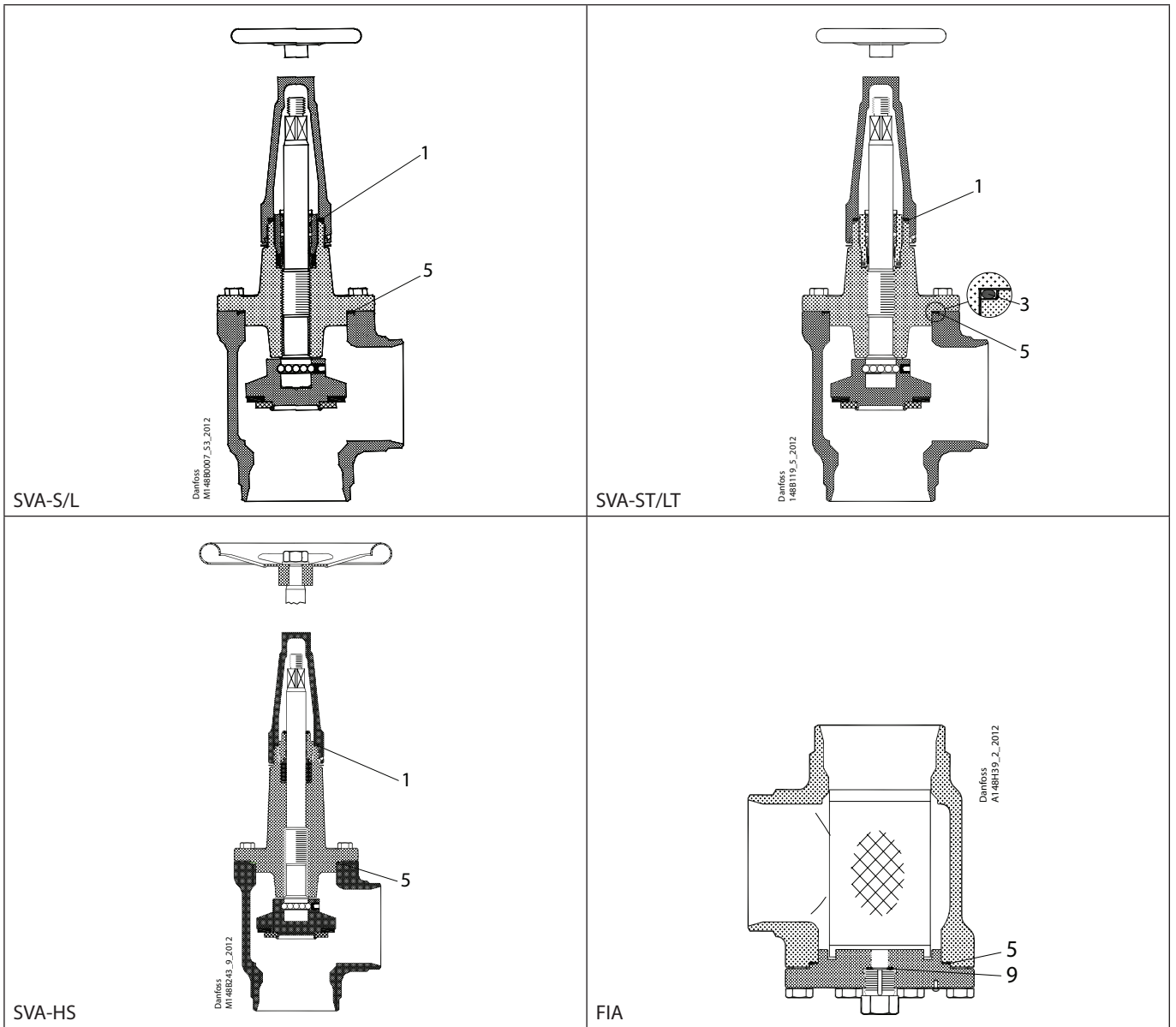


Installation guide – Spare parts and accessories

Inspection kit | Code number 148B6059  
SVA-S/L, SVA-ST/LT, SVA-HS, FIA size 200



<p><b>1</b></p> <p> = Nylon</p> <p>Total no. = 1</p>	<p><b>3</b></p> <p>Total no. = 1</p>	<p><b>5</b></p> <p> = Fibre</p> <p>Total no. = 1</p>	<p><b>9</b></p> <p> = Alu.</p> <p>Total no. = 1</p>	
------------------------------------------------------	--------------------------------------	------------------------------------------------------	-----------------------------------------------------	--