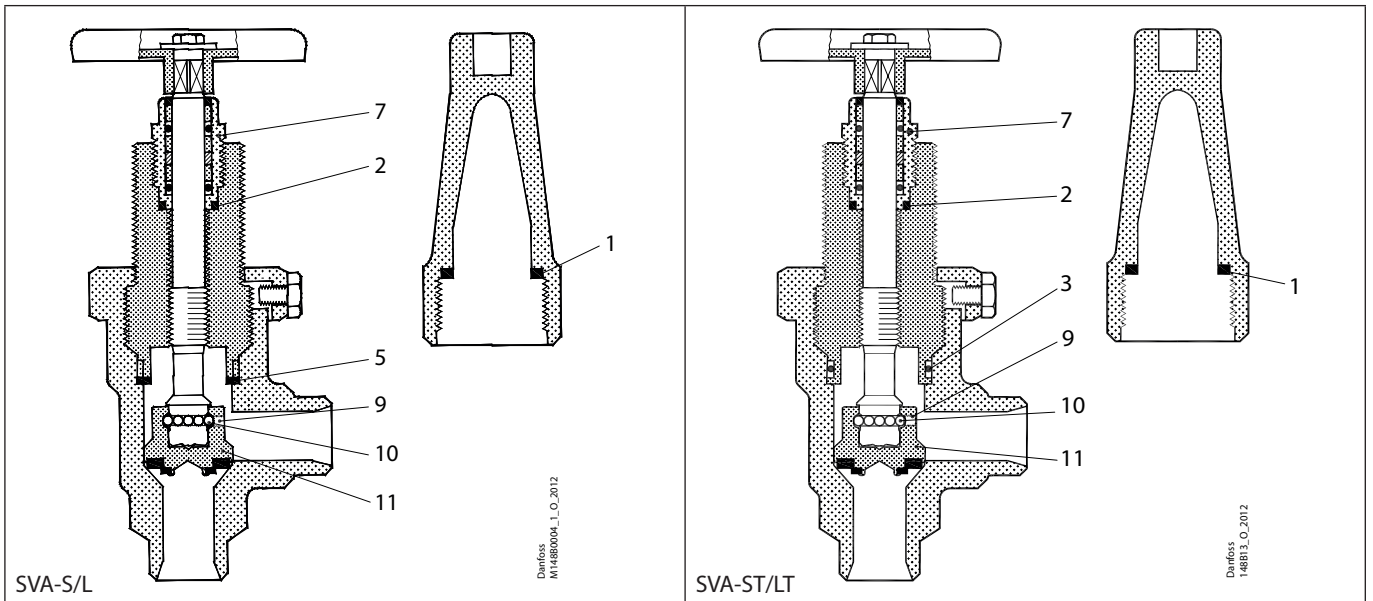


Installation guide – Spare parts and accessories

Overhaul kit | Code number 148B6150
SVA-S/L, SVA-ST/LT Sizes 6 to 10



<p>1</p> <p> = Nylon</p> <p>Total no. = 1</p>	<p>2</p> <p> = Alu.</p> <p>Total no. = 1</p>	<p>3</p> <p>Total no. = 1</p>	<p>5</p> <p> = Alu.</p> <p>Total no. = 1</p>	<p>7</p> <p>Total no. = 1</p>
<p>9</p> <p>Total no. = 1</p>	<p>10</p> <p>Total no. = 6</p>	<p>11</p> <p>Total no. = 1</p>	<p>12</p> <p>Total no. = 1</p>	

NOTE:

When replacing the packing gland (pos. 7) in SVA-S/L or SVA-ST/LT the aluminium gasket (pos. 2) is needed.