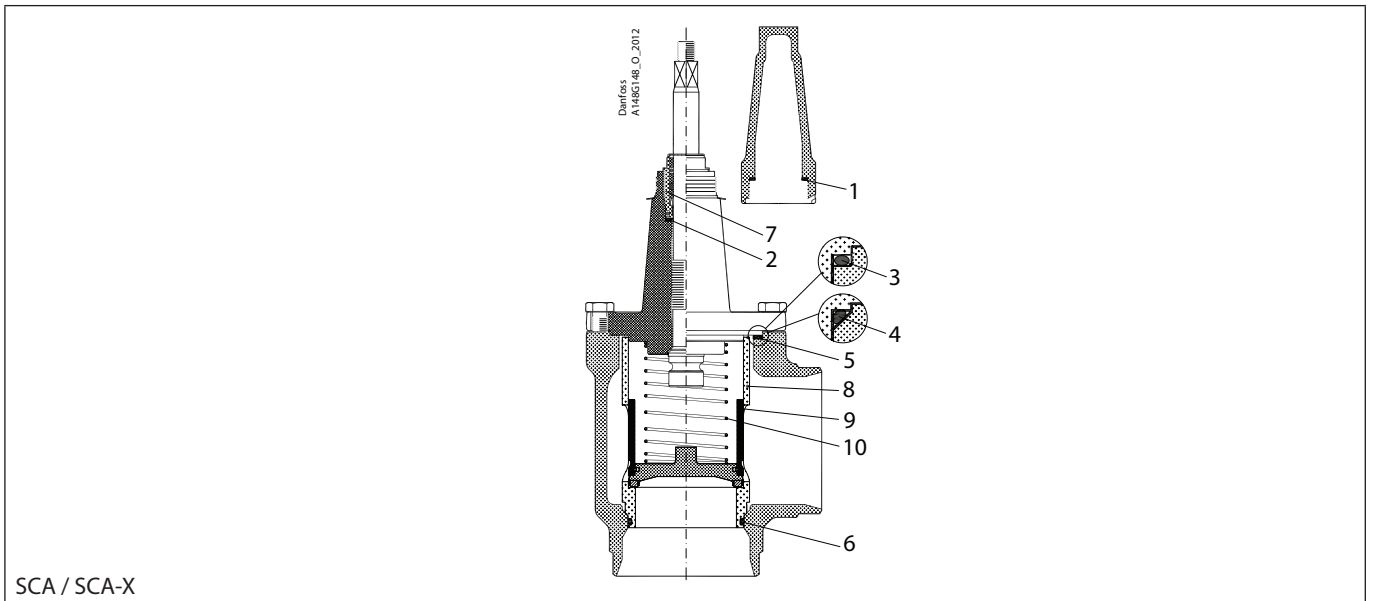


Installation guide – Spare parts and accessories

Overhaul kit | Code number 148B6163

SCA / SCA-X sizes 65



SCA / SCA-X

<p>1</p> <p> = Nylon</p> <p>Ø37 mm Ø1.46"</p> <p>Total no. = 1</p>	<p>2</p> <p> = Alu.</p> <p>Ø26.5 mm Ø1.04"</p> <p>Total no. = 1</p>	<p>3</p> <p>Ø63 mm Ø2.48"</p> <p>Total no. = 1</p>	<p>4</p> <p>Ø57 mm Ø2.23"</p> <p>Total no. = 1</p>	<p>5</p> <p> = Fibre</p> <p>Ø175 mm Ø2.93"</p> <p>Total no. = 1</p>
<p>6</p> <p>Ø50 mm Ø1.98"</p> <p>Total no. = 1</p>	<p>7</p> <p>Ø27 mm Ø1.06"</p> <p>Total no. = 1</p>	<p>8</p> <p>Ø59.5 mm Ø2.34"</p> <p>Total no. = 1</p>	<p>9</p> <p>Ø50 mm Ø1.97"</p> <p>Total no. = 1</p>	<p>10</p> <p>120 mm 4.72"</p> <p>Total no. = 1</p>

NOTE:

When replacing the packing gland (pos. 7) in SCA-X or SCA the aluminium gasket (pos. 2) is needed.