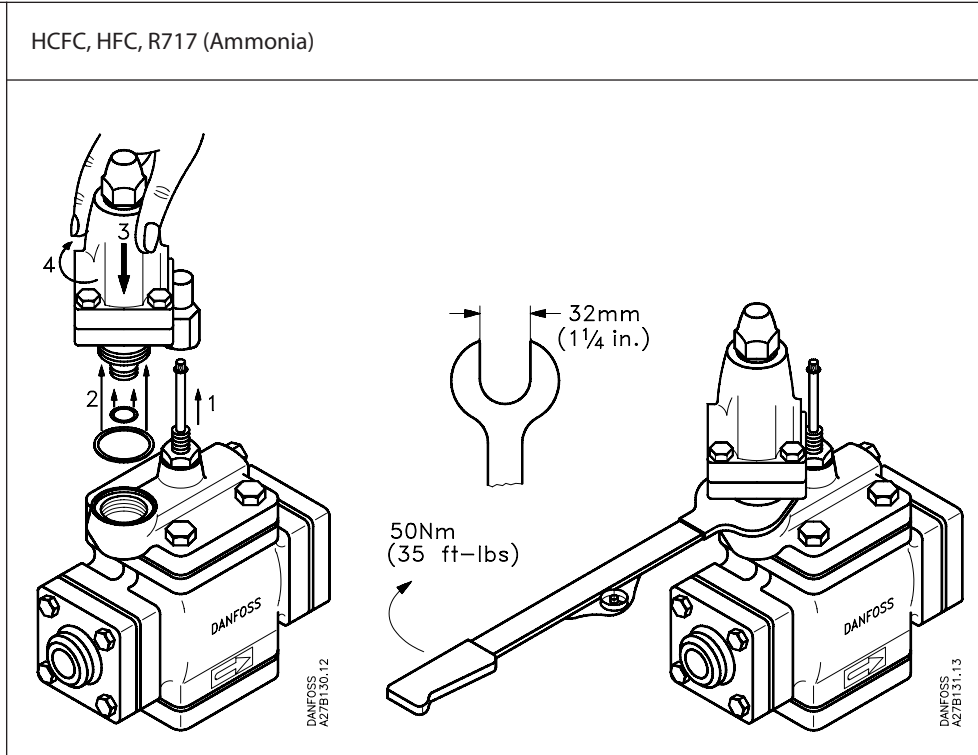
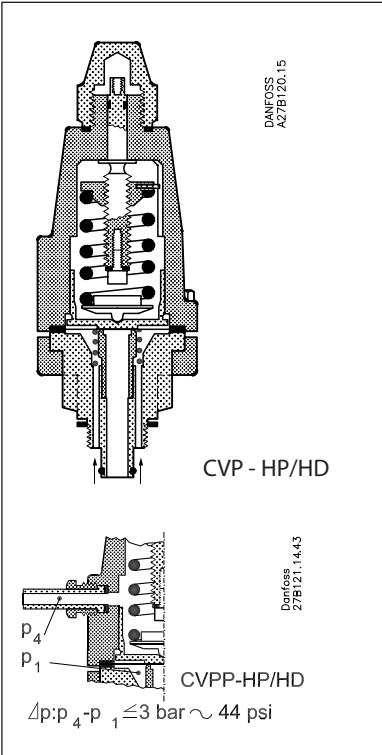


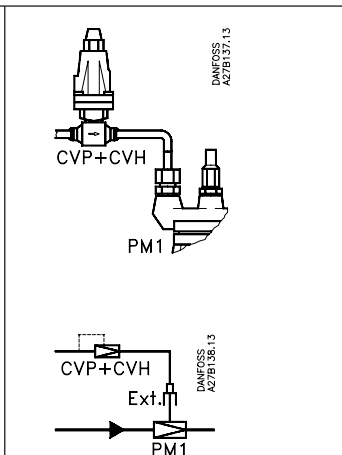
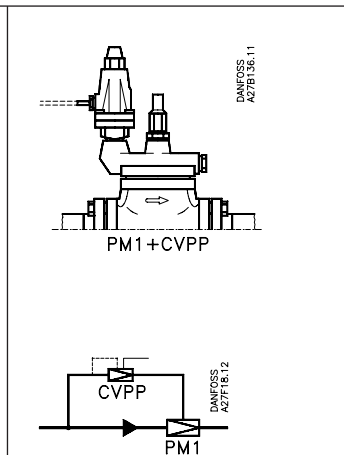
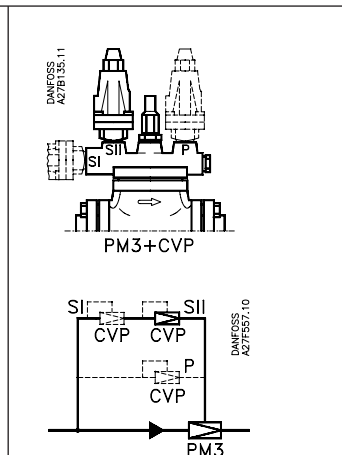
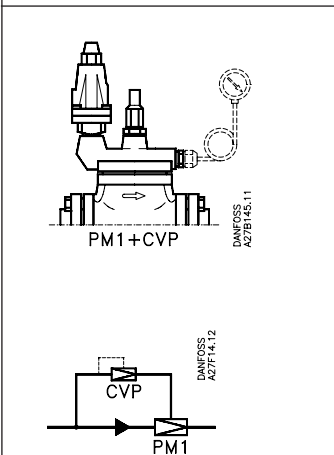
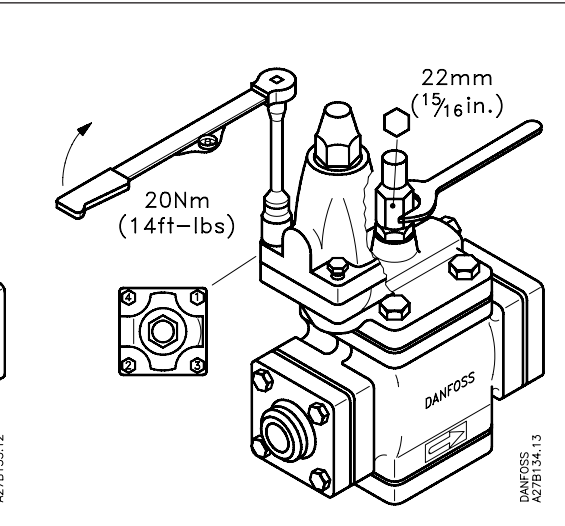
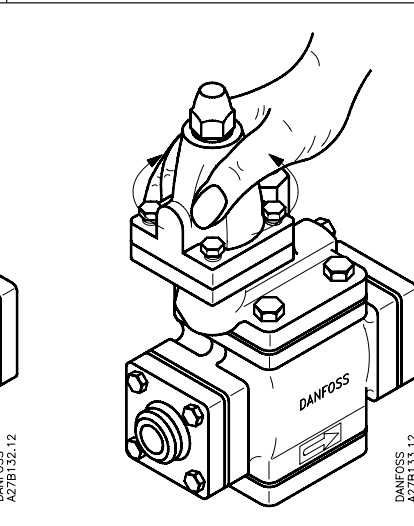
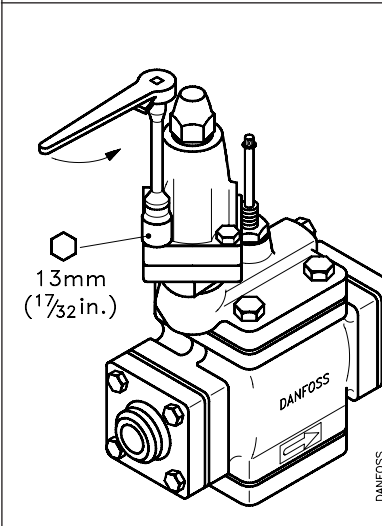
Installation Guide

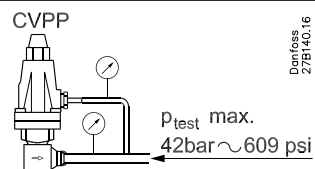
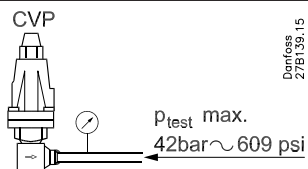
CVP (HP), CVPP (HP) Pilot valves

027R9632

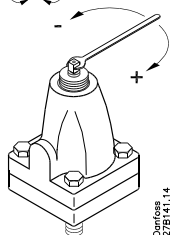


027R9632

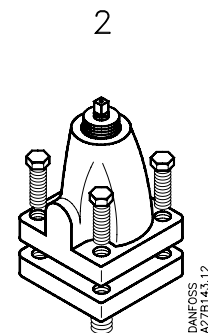
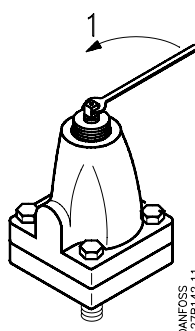




CVP
360° \ominus \oplus ~1.8bar ~ 26 psi



Range bar	1 turn 360° Δ
-0.66 → 7 bar	0.45 bar
4 → 22 bar	1.4 bar
4 → 28 bar	2 bar
Range psi	1 turn 360° Δ
19.5 in.Hg → 29 psi	6.5 psi
58 psi → 319 psi	20 psi
58 psi → 406 psi	29 psi



Spare Parts

Please see Spare Parts Catalogue.



The following text is applicable to the UL listed products CVP and CVPP

Applicable to all common non-flammable refrigerants, including/excluding (+) R717 and to non-corrosive gases/liquids dependent on sealing material compatibility (++). The design pressure shall not be less than the value outlined in Sec. 9.2 of ANSI/ASHRAE 15 for the refrigerant used in the system. (+++).