

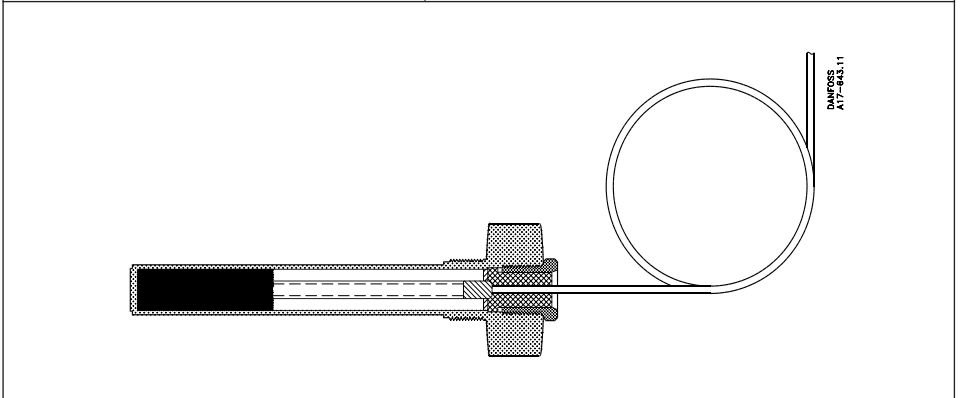
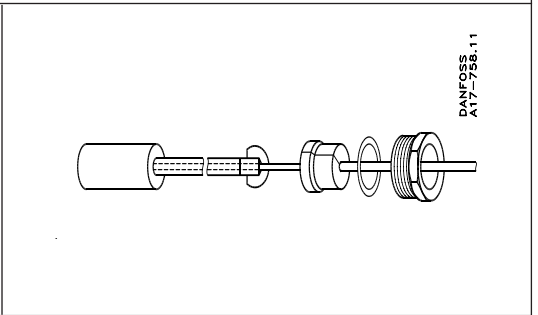
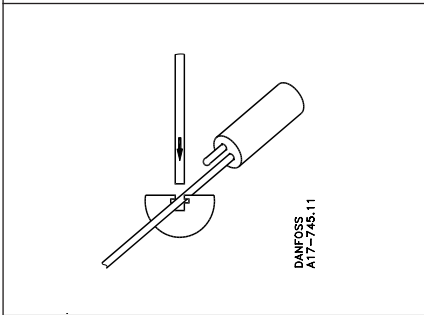
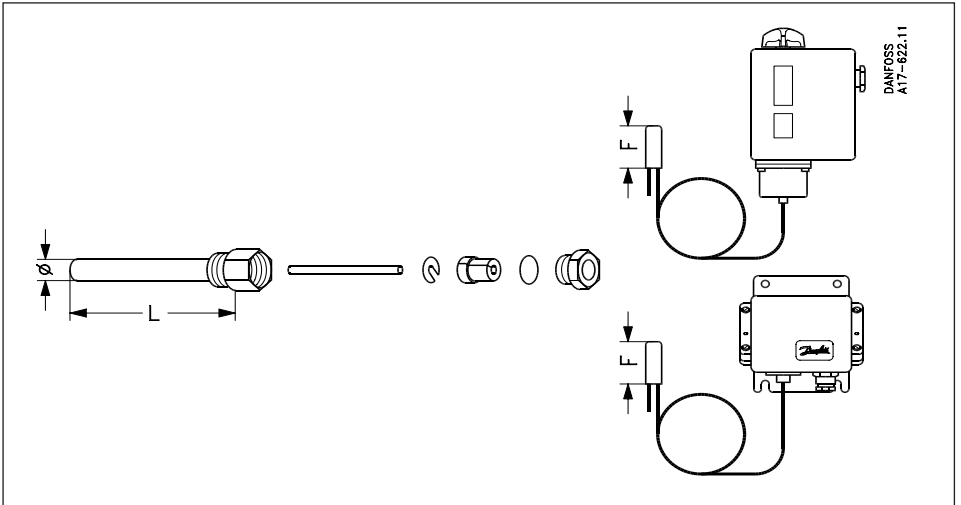
Installation guide

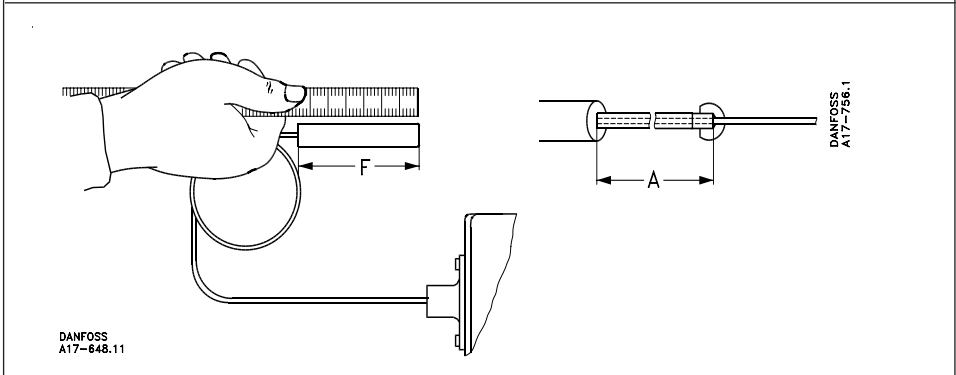
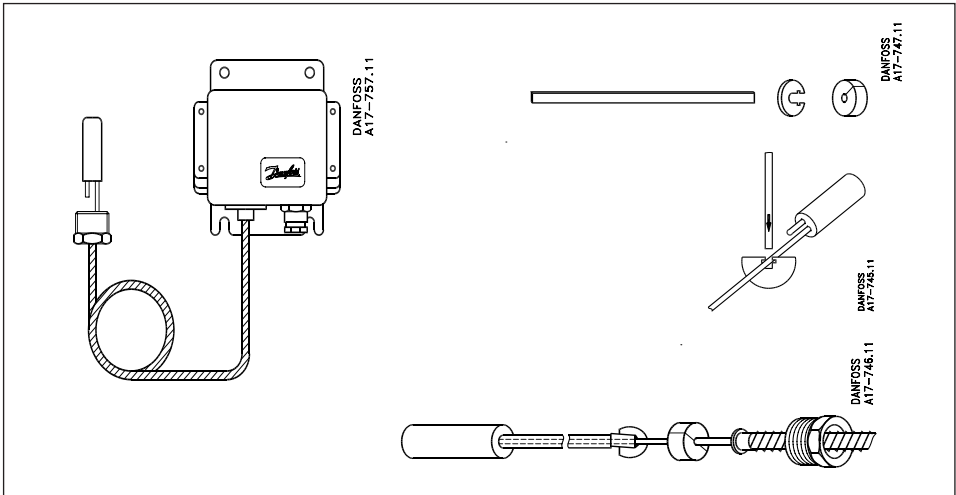
Sensor pocket

Types KPS, CAS, RT

060R9307

060R9307





	L=65	L=75	L=110	L=160
F=47,5				
F=75	X	X		
F=85	X	X		