

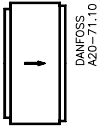
Installation Guide

Check valve

NRVS

020R9501

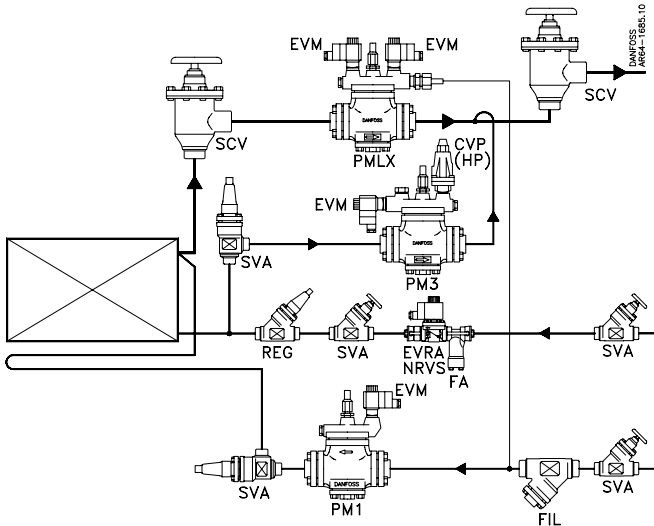
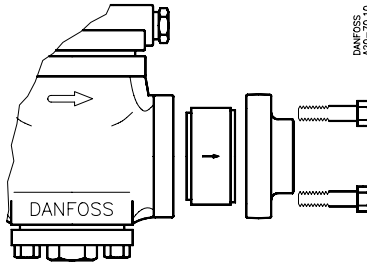
Kun i væskeledninger. Til direkte montering på PM, EVRA og EVRAT.
 Only in liquid lines. For direct mounting on PM, EVRA and EVRAT.
 Nur in Flüssigkeitsleitungen. Für direkte Montage an PM, EVRA und EVRAT.
 Pour les conduites de liquide seulement. Pour montage directement sur PM, EVRA et EVRAT.
 Sólo en líneas de líquido. Para montaje directo en PM, EVRA y EVRAT.



t_{min}	-50°C/-58°F
t_{max}	140°C/285°F
PB/MWP	28 bar/400psig

Type	Code No.
NRVS 15	020-2032
NRVS 25	020-2033

020R9501



Danfoss can accept no responsibility for possible errors in catalogues, brochures and other printed material. Danfoss reserves the right to alter its products without notice. This also applies to products already on order provided that such alterations can be made without consequential changes being necessary in specifications already agreed. All trademarks in this material are property of the respective companies. Danfoss and the Danfoss logotype are trademarks of Danfoss A/S. All rights reserved.