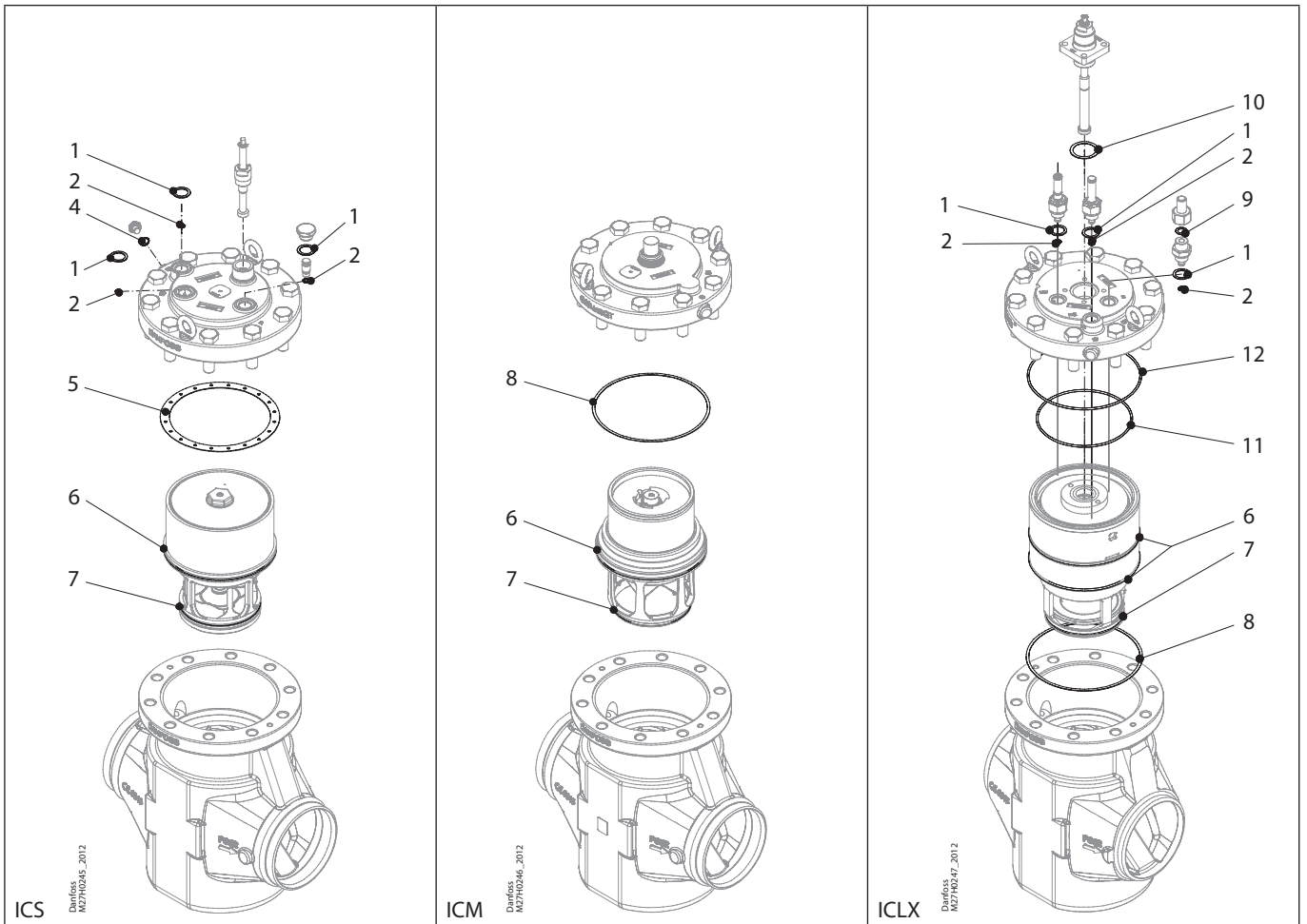


Installation guide – Spare parts and accessories

Inspection kit | Code number 027H7196
ICS, size 150 / ICM, size 150 / ICLX, size 150



<p>1</p> <p> = Fibre</p> <p> <p>Total no. = 3</p> </p>	<p>2</p> <p></p> <p> <p>Total no. = 3</p> </p>	<p>4</p> <p> = Alu.</p> <p> <p>Total no. = 1</p> </p>	<p>5</p> <p> = Fibre</p> <p> <p>Total no. = 1</p> </p>	<p>6</p> <p></p> <p> <p>Total no. = 2</p> </p>
<p>7</p> <p></p> <p> <p>Total no. = 1</p> </p>	<p>8</p> <p> = Fibre</p> <p> <p>Total no. = 1</p> </p>	<p>9</p> <p> = Alu.</p> <p> <p>Total no. = 1</p> </p>	<p>10</p> <p> = Fibre</p> <p> <p>Total no. = 1</p> </p>	<p>11</p> <p></p> <p> <p>Total no. = 1</p> </p>
<p>12</p> <p></p> <p> <p>Total no. = 1</p> </p>				