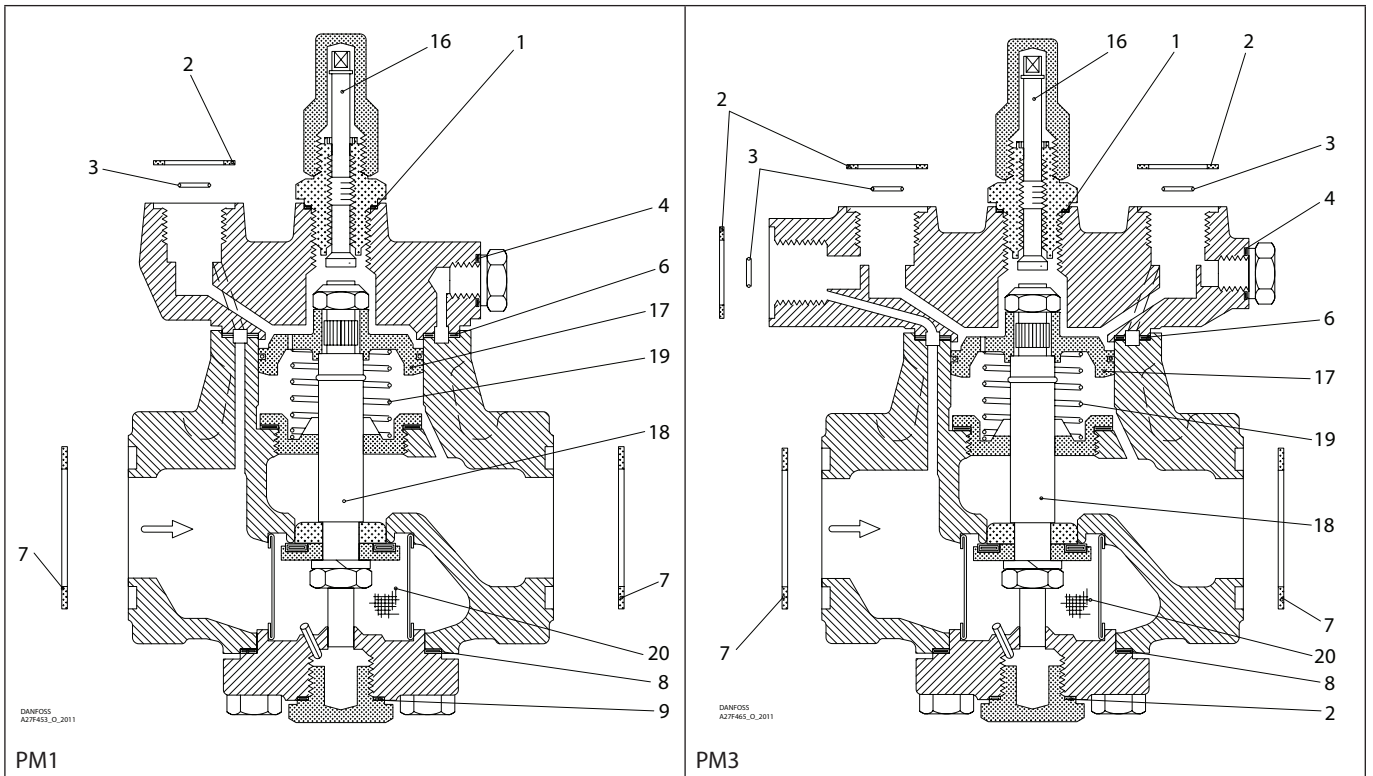


Installation guide – Spare parts and accessories

Overhaul kit | Code number 027F3374
PM, size 40 - standard cone



<p>1</p> <p>▨ = Alu.</p> <p>Ø26 mm Ø1.02"</p> <p>Total no. = 1</p>	<p>2</p> <p>▨ = Fibre</p> <p>Ø33 mm Ø1.28"</p> <p>Total no. = 4</p>	<p>3</p> <p>Ø9 mm Ø0.36"</p> <p>Total no. = 3</p>	<p>4</p> <p>▨ = Alu.</p> <p>Ø18 mm Ø0.70"</p> <p>Total no. = 1</p>	<p>5*</p> <p>▨ = Alu.</p> <p>Ø14 mm Ø0.55"</p> <p>Total no. = 1</p>	<p>6</p> <p>▨ = Fibre</p> <p>Ø93 mm Ø3.66"</p> <p>Total no. = 1</p>
<p>7</p> <p>▨ = Fibre</p> <p>Ø65 mm Ø2.56"</p> <p>Total no. = 2</p>	<p>8</p> <p>▨ = Fibre</p> <p>Ø78 mm Ø3.07"</p> <p>Total no. = 1</p>	<p>9</p> <p>▨ = Alu.</p> <p>Ø32 mm Ø1.26"</p> <p>Total no. = 1</p>	<p>10*</p> <p>▨ = Alu.</p> <p>Ø22 mm Ø0.87"</p> <p>Total no. = 1</p>	<p>16</p>	<p>17</p> <p>Ø68 mm Ø2.68"</p>
<p>18</p> <p>Ø42 mm Ø1.65"</p>	<p>19</p> <p>Ø40 mm Ø1.57"</p> <p>Total no. = 1</p>	<p>20</p> <p>Ø62 mm Ø2.44"</p> <p>Total no. = 1</p>			

* The spare part is included in the package but is not used for PM 1 or PM 3 with standard cone.