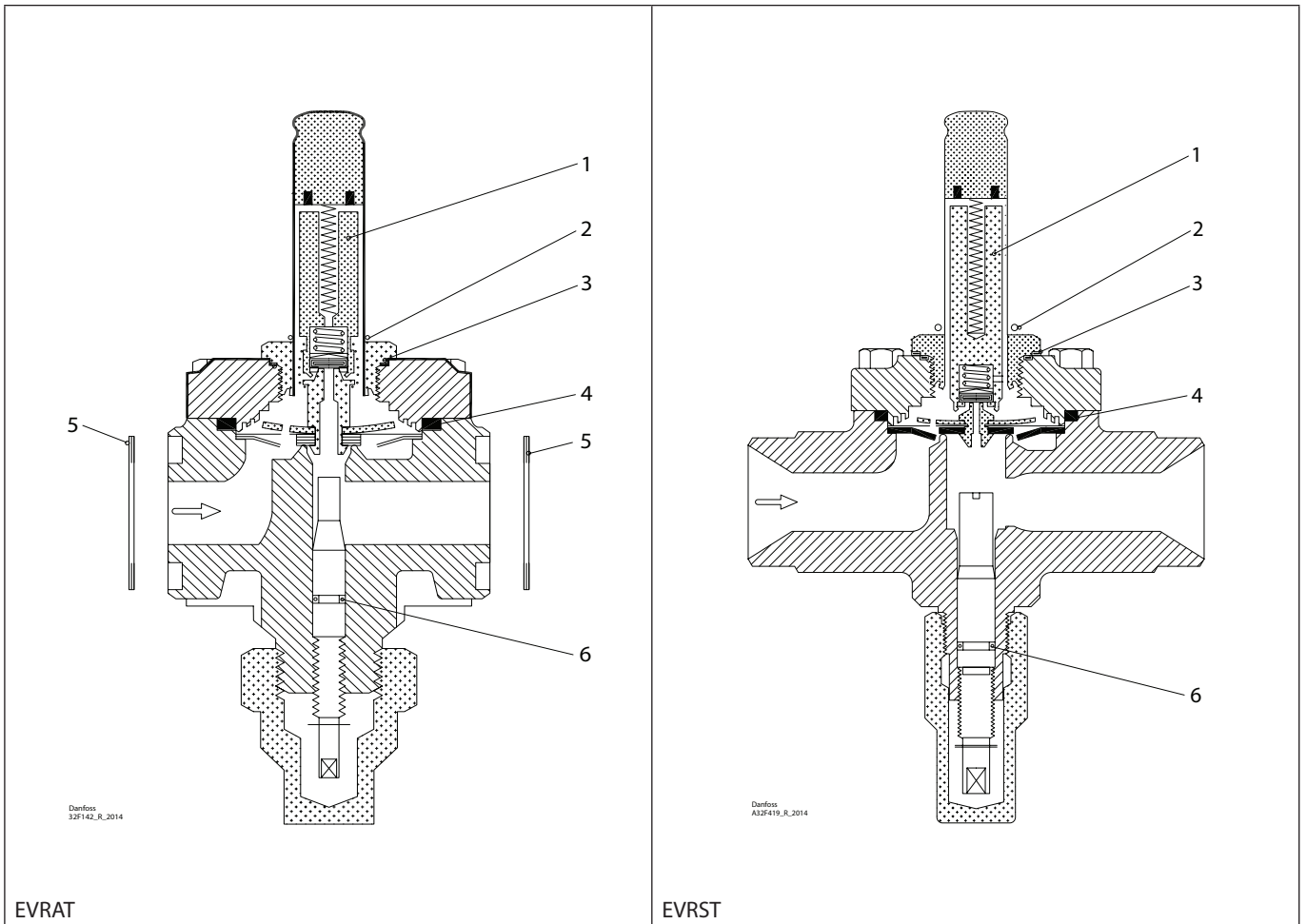


Installation guide – Spare parts and accessories

Repair kit | Code number 032F2343
EVRAT and EVRST, size 10



<p>1</p> <p>Total no. = 1</p>	<p>2</p> <p>Total no. = 1</p>	<p>3</p> <p>Total no. = 1</p>	<p>4</p> <p>Total no. = 1</p>	<p>5</p> <p>Total no. = 2</p>
<p>6</p> <p>Total no. = 1</p>				