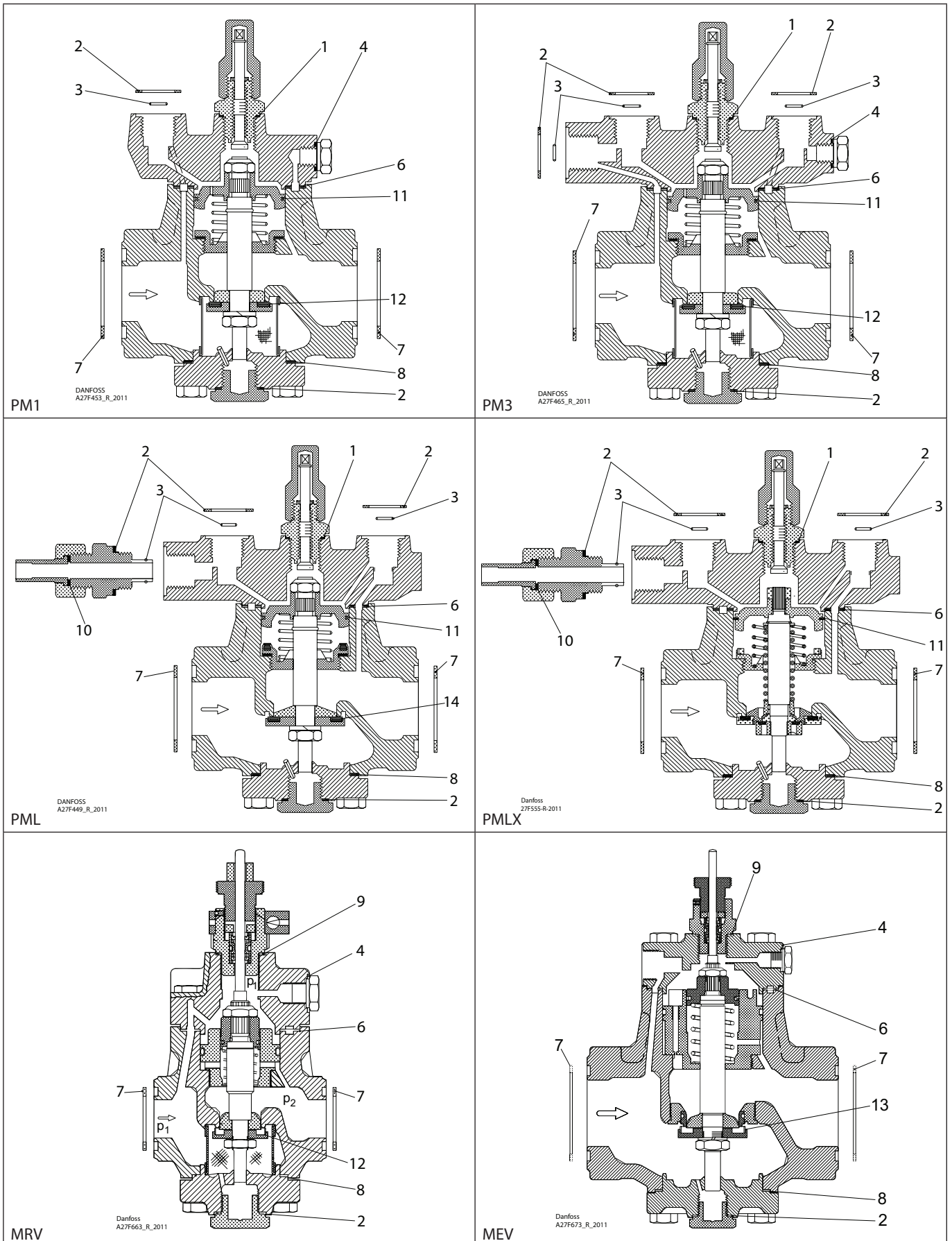
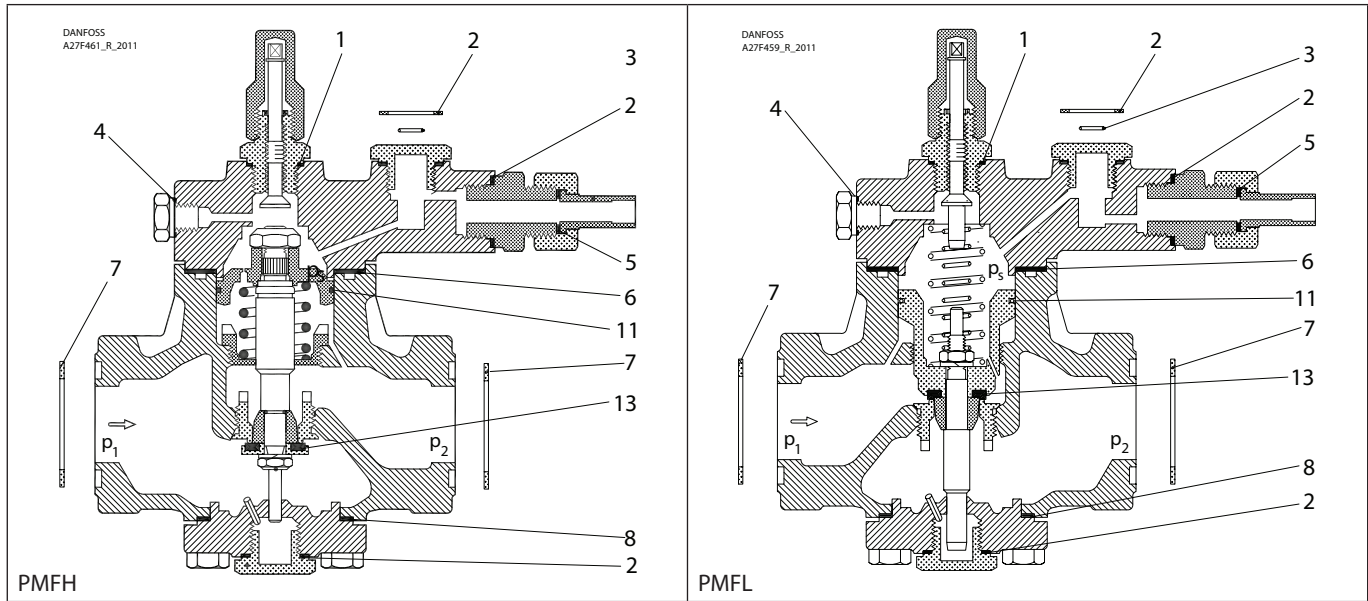


Installation guide – Spare parts and accessories

Repair kit | Code number 027F3154

PM, PML/X, MRV, size 50 | MEV, PMFH/L, size 300





<b>1</b>  Total no. = 1	<b>2</b>  Total no. = 4	<b>3</b>  Total no. = 3	<b>4</b>  Total no. = 1	<b>5</b>  Total no. = 1	<b>6</b>  Total no. = 1
<b>7</b>  Total no. = 2	<b>8</b>  Total no. = 1	<b>9</b>  Total no. = 1	<b>10</b>  Total no. = 1	<b>11</b>  Total no. = 1	<b>12</b>  Total no. = 1
<b>13</b>  Total no. = 1	<b>14</b>  Total no. = 1				