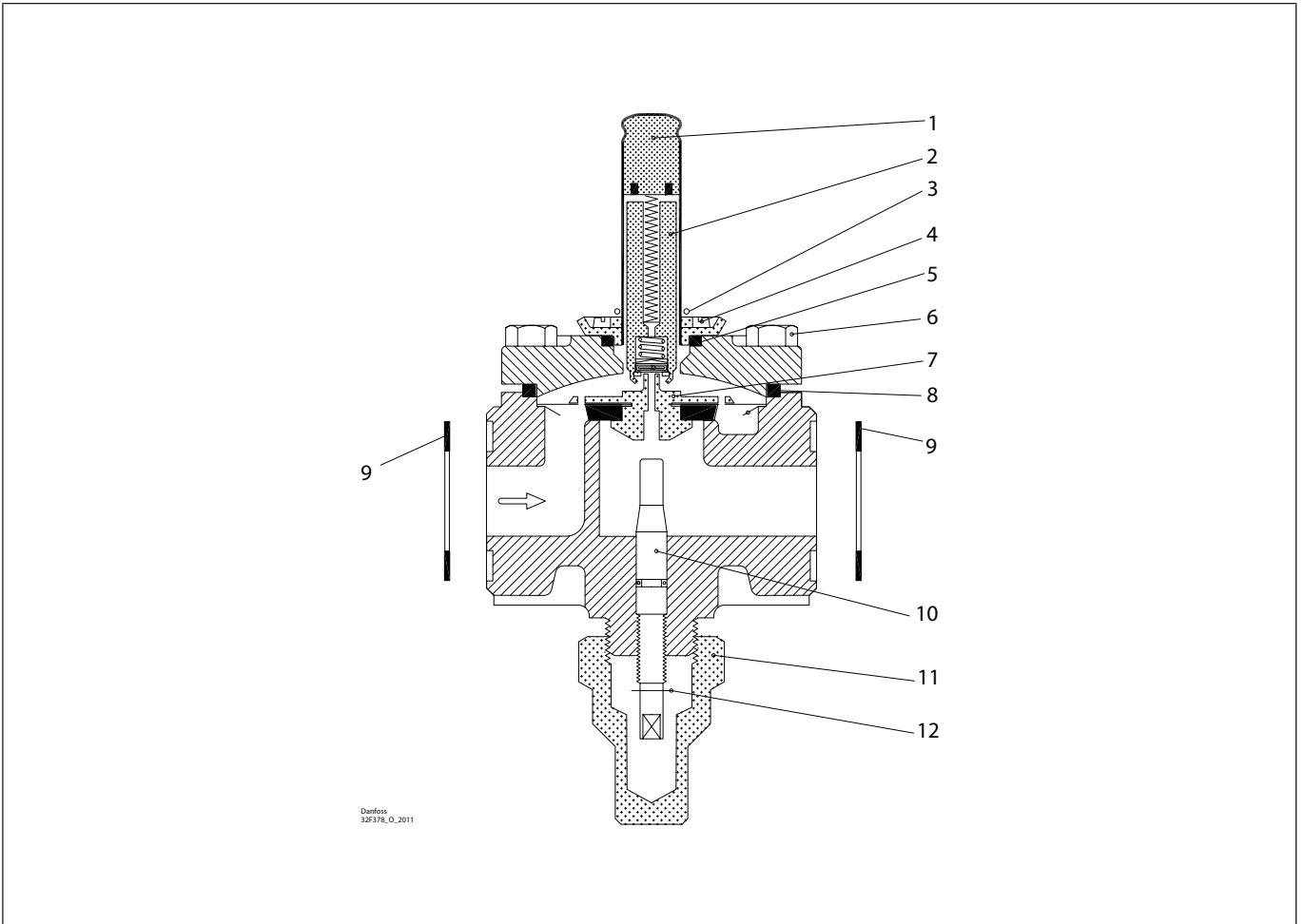


Installation guide – Spare parts and accessories

Overhaul kit | Code number 032F2209

EVRA, size 15 (previous design)



Danfoss
32F378_O_2011

<p>1</p> <p>Total no. = 1</p>	<p>2 For AC/DC</p> <p>Total no. = 1</p>	<p>3</p> <p>Total no. = 1</p>	<p>4</p> <p>Total no. = 4</p>	<p>5 = Rubber</p> <p>Total no. = 1</p>	<p>6</p> <p>Total no. = 4</p>
<p>7</p> <p>Total no. = 1</p>	<p>8 = Rubber</p> <p>Total no. = 1</p>	<p>9 = Fibre</p> <p>Total no. = 2</p>	<p>10</p> <p>Total no. = 1</p>	<p>11</p> <p>Total no. = 1</p>	<p>12</p> <p>Total no. = 1</p>