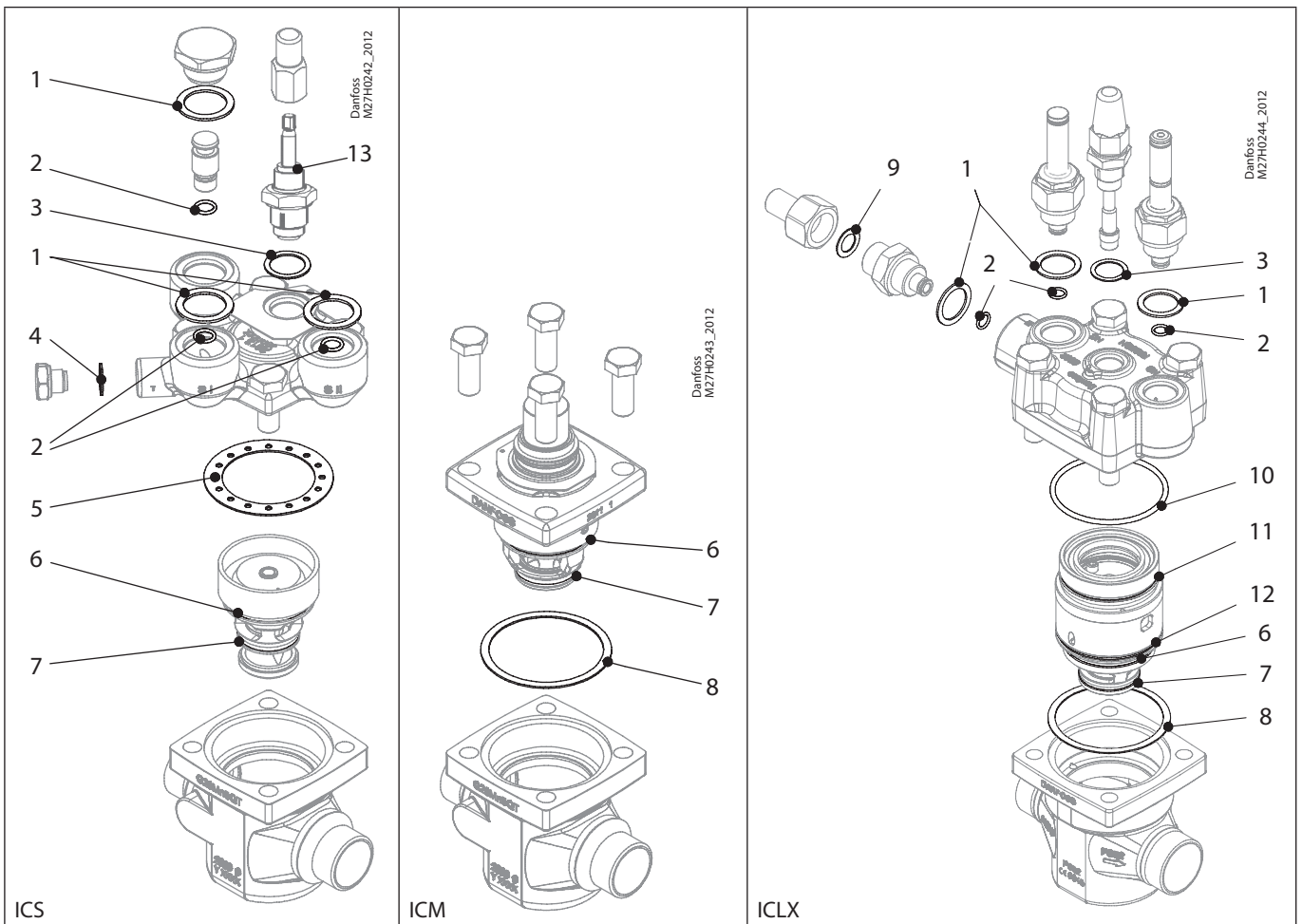


Installation guide – Spare parts and accessories

Inspection kit | Code number 027H3016  
ICS, size 32 (1-3) / ICM, size 32 / ICLX, size 32



<p><b>1</b>  = Fibre</p> <p>Total no. = 3</p>	<p><b>2</b>  = Al.</p> <p>Total no. = 3</p>	<p><b>3</b>  = Al.</p> <p>Total no. = 1</p>	<p><b>4</b>  = Al.</p> <p>Total no. = 1</p>	<p><b>5</b>  = Fibre</p> <p>Total no. = 1</p>
<p><b>6</b>  = Al.</p> <p>Total no. = 1</p>	<p><b>7</b>  = Al.</p> <p>Total no. = 1</p>	<p><b>8</b>  = Fibre</p> <p>Total no. = 1</p>	<p><b>9</b>  = Al.</p> <p>Total no. = 1</p>	<p><b>10</b>  = Al.</p> <p>Total no. = 1</p>
<p><b>11</b>  = Al.</p> <p>Total no. = 1</p>	<p><b>12</b>  = Al.</p> <p>Total no. = 1</p>	<p><b>13</b>  = Al.</p> <p>Total no. = 1</p>		