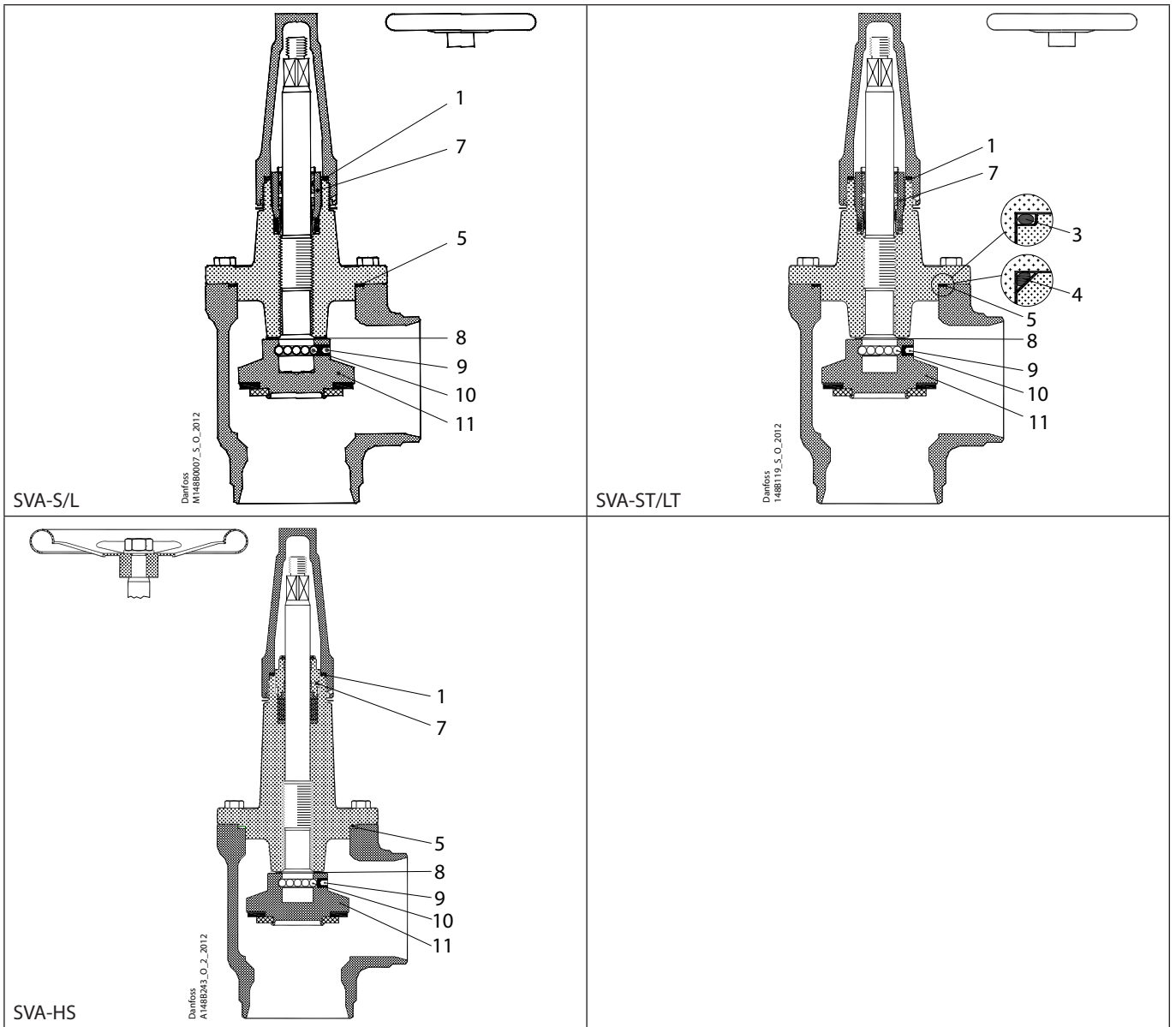


Installation guide – Spare parts and accessories

Overhaul kit | Code number 148B6472

Shut-off valves, SVA-S/L, SVA-ST/LT, SVA-HS, size 200



<p><b>1</b></p> <p> = Nylon</p> <p></p> <p>Total no. = 1</p>	<p><b>3</b></p> <p> = Fibre</p> <p></p> <p>Total no. = 1</p>	<p><b>5</b></p> <p> = Fibre</p> <p></p> <p>Total no. = 1</p>	<p><b>7</b></p> <p> = PTFE</p> <p></p> <p>Total no. = 1</p>	<p><b>8</b></p> <p> = PTFE</p> <p></p> <p>Total no. = 1</p>
<p><b>9</b></p> <p></p> <p>M12</p> <p>Total no. = 1</p>	<p><b>10</b></p> <p></p> <p>Ø10 mm Ø0.394"</p> <p>Total no. = 13</p>	<p><b>11</b></p> <p></p> <p>Total no. = 1</p>	<p><b>12</b></p> <p></p> <p>Total no. = 1</p>	<p><b>13</b></p> <p></p> <p>Total no. = 1</p>