

Installation guide

# Electric Expansion Valve

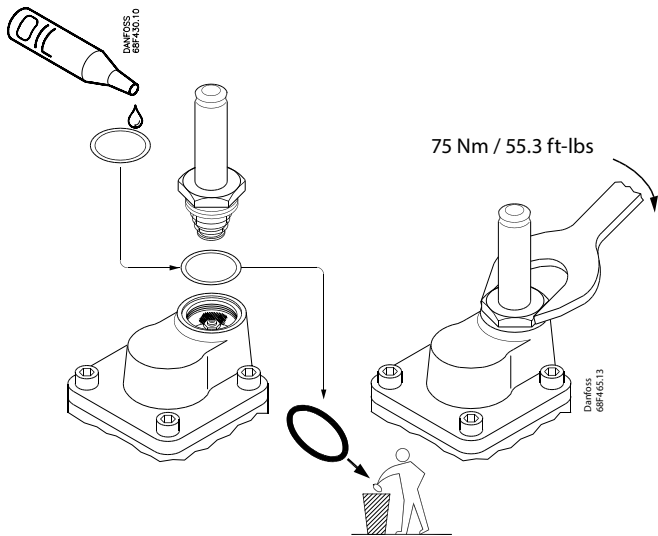
## Types AKV 15, AKVA 15

068R9548

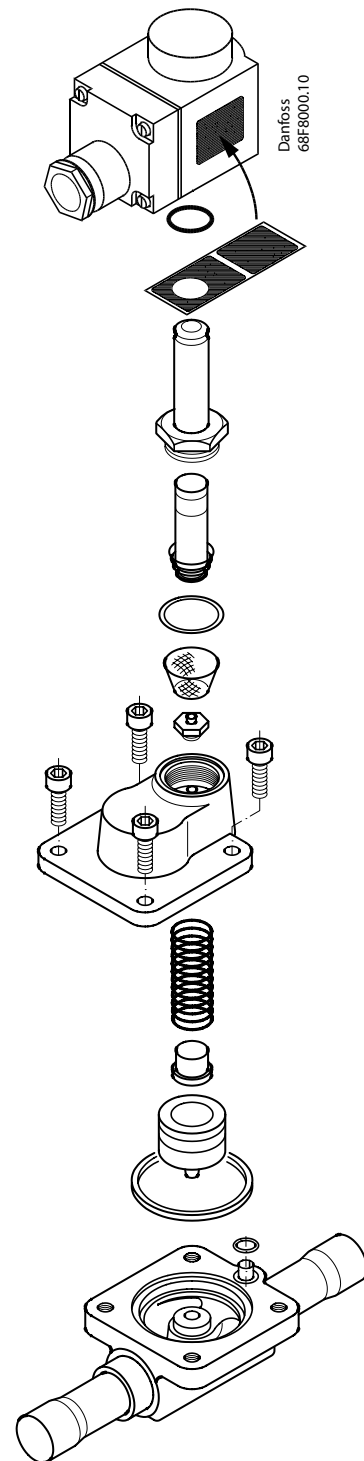
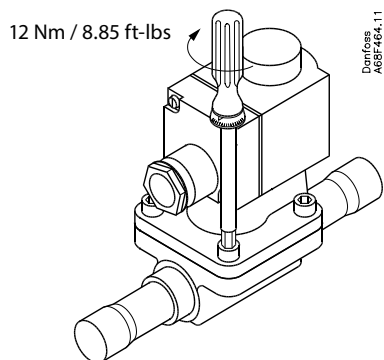
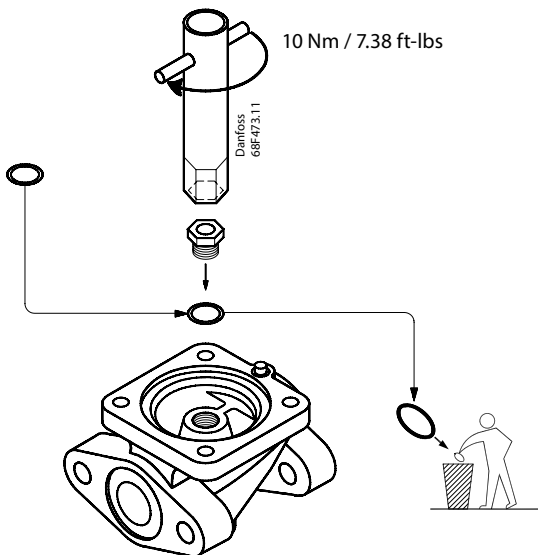
068R9548

<p><b>Refrigerants:</b>  <b>AKV</b>                  R744, R22/R407C, R404A/R507, R410A, R134a, R407A, R407F, R23, R448A, R449A, R449B, R452A, R513A, R450A, R422B, R422D  <b>AKVA</b>                  R717, R744, R22/R407C, R404A/R507, R410A, R134a, R407A, R23,                  For other refrigerants, please contact Danfoss.</p>	<p><b>Max. working pressure:</b>  <b>AKV 15:</b> PS/MWP = 46 barg / 667 psig  <b>AKVA 15:</b> PS/MWP = 42 barg / 610 psig</p>
<p><b>Media temperature range:</b>                  Min. <math>t_{media}</math> -50 °C / -58 °F                  Max. <math>t_{media}</math> 60 °C / 140 °F</p>	<p><b>Max. test pressure:</b> <math>P_e</math> = 52 barg / 754 psig  <b>Max. differential pressure:</b> MOPD = 22 bar / 319 psi</p>
<p><b>AKV 15</b></p>	<p><b>AKVA 15</b></p>
<p>(en-gb) Do not insulate                  (da) Må ikke isoleres                  (de) Nicht isolieren                  (fr) Ne pas isoler                  (es) No encerrar para evitar condensación</p>	<p><b>Warning</b>                  Never switch on power to the coil when the coil is dismounted from the valve. Otherwise the coil may be damaged and there is risk of injuries</p>

Service



AKVA 15 only



en-gb	da	de	fr	es
The gasket must be exchanged, if the valve is dismantled.	Pakningen skal skiftes, hvis ventilen adskilles.	Bei Zerlegung des Ventils muß die Dichtung ausgewechselt werden.	Changer le joint chaque fois que la vanne est démontée.	Es preciso cambiar la junta si se desmonta la válvula