

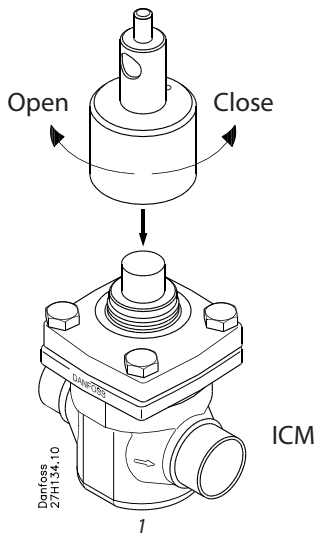
Installation Guide

Multi-function Tool

027R9781

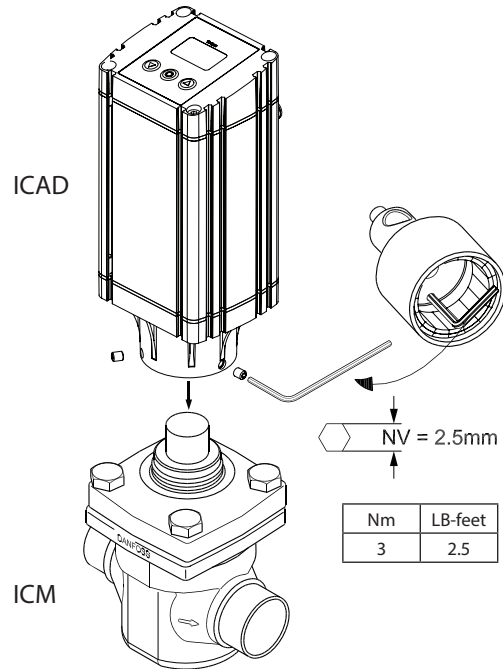
027R9781

Manual open / close of ICM without ICAD installed



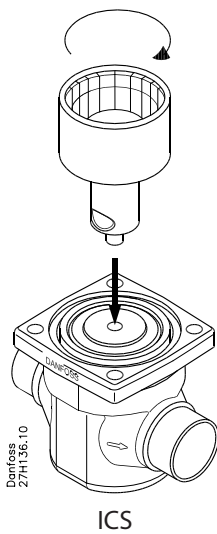
1

Mounting of ICAD on ICM

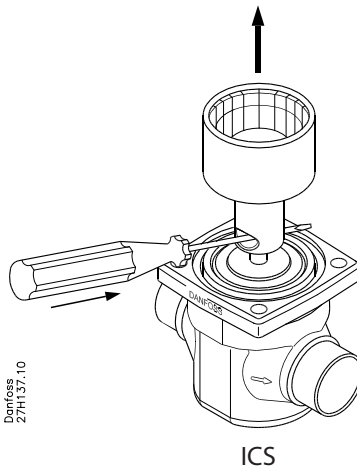


2

Removal of function module (ICS)

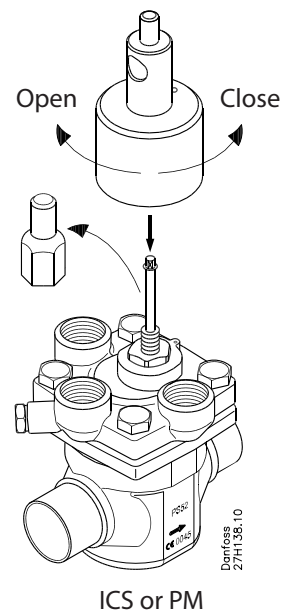


3a



3b

Operation of manual spindle (ICS or PM)



4