

Installation Guide

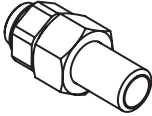
**Accessories**

for Valve Stations ICF 50-4 and ICF 65-3

027R9593

027R9593

**Welding connection**



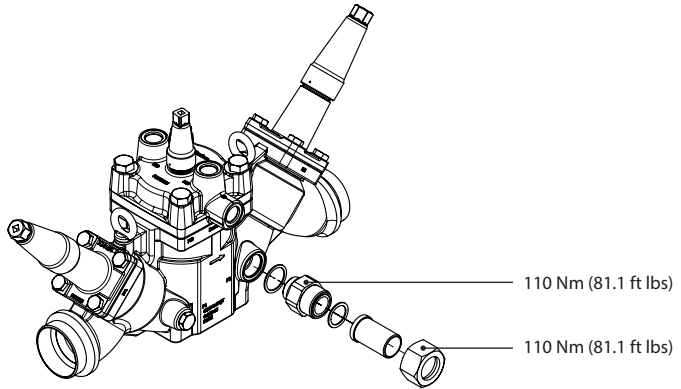
Description	Code number
M33 to DIN 25 mm pipe	<b>027H5544</b>
M33 to ANSI 1 in. pipe	<b>027H5546</b>

**Adapter kit for defrost connection**



Description	Code number
M33 - G 3/8 in.	<b>027H5547</b>
M33 - NPT 3/8 in.	<b>027H5548</b>

**ICF 50-4, ICF 65-3**



**ICF 50-4, ICF 65-3**

