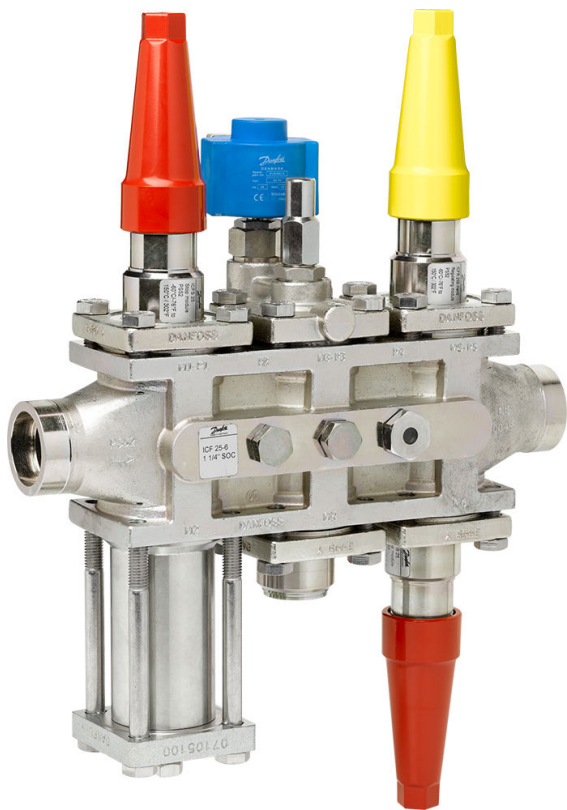


Data Sheet

Valve station
Type **ICF 15, ICF 20, ICF 25,
ICF 50 and ICF 65**

ICF valve station incorporates several functions in one housing, which can replace a series of conventional mechanical, electro-mechanical and electronically operated valves



Based on advanced technology the ICF valve station incorporates several functions in one housing, which can replace a series of conventional mechanical, electro-mechanical and electronically operated valves.

This valve station not only provides a number of advantages in the design phase of a refrigeration plant but also in the installation, service and maintenance.

The ICF valve stations are designed for low and high pressure refrigerants and can be used in pumped liquid lines, liquid injection lines, liquid drain lines and hot gas lines.

Supplied as a complete assembly, it is fully tested at high pressure and its functions are tested under factory controlled conditions.

One code number equals one application solution.

Features

- Designed for industrial refrigeration applications for a maximum working pressure of 52 bar/754 psig. (For ICF 20-2 and ICF with ICFD defrost module; see Technical Data, Pressure [Page 17](#))
- Applicable to HCFC, non flammable HFC, R717 (Ammonia) and R744 (CO₂). The use of ICF valve stations with flammable hydrocarbons is not recommended
- Direct weld connections (No leaks through flanges)
- Connection types include butt weld and socket weld
- Low temperature steel housing
- Low weight and compact design
- V-port regulating cones on the control modules ensure optimum regulating accuracy particularly at part load
- Modular Concept:
 - Each housing is available with several different connection types and sizes. Valve service is performed by replacing the function module
- Side ports for the connection of pressure gauges, transmitters, sight glasses, service valve etc.
- UL approved

Applications

Application overview

Application overview (generic configuration - connection type and size excluded)

Table 1: Liquid feed

| Application # | | Sequence of functions | | | | | |
|---------------|---------------------------------|-----------------------|----------|----------|----------|---------|--------------|
| | | M1 | M2 | M3 | M4 | M5 | M6 |
| 1 | Liquid feed (No hotgas defrost) | Shut-off | Strainer | Solenoid | Man Open | Regul. | Shut-off |
| 2 | Liquid feed | Shut-off | Strainer | Solenoid | Man Open | Regul. | Stop & check |
| 3 | Liquid feed | Shut-off | Strainer | Solenoid | Check | Regul. | Shut-off |
| 10 | Liquid feed (No hotgas defrost) | Shut-off | Strainer | Solenoid | Regul. | | |
| 15 | Liquid feed w. external Conn. | Shut-off | Strainer | Solenoid | Check | Welding | Regul. |

Table 2: Solenoid common

| Application # | | Sequence of functions | | | | | |
|---------------|-----------------------------------|-----------------------|----------|----------|----------|----------|----|
| | | M1 | M2 | M3 | M4 | M5 | M6 |
| 4 | Solenoid - Liquid & Hot gas lines | Shut-off | Strainer | Solenoid | Man Open | Shut-off | |
| 8 | Solenoid - Liquid & Hot gas lines | Shut-off | Strainer | Solenoid | Man Open | | |
| 121 | Solenoid - generic | Solenoid | Man Open | | | | |

Table 3: Liquid injection

| Application # | | Sequence of functions | | | | | |
|---------------|----------------------------------|-----------------------|----------|----------|----------|-------|----------|
| | | M1 | M2 | M3 | M4 | M5 | M6 |
| 5 | Liquid injection (expansion) | Shut-off | Strainer | Solenoid | Man Open | Motor | Shut-off |
| 12 | Liquid injection (expansion) PWM | Shut-off | Strainer | El. Exp. | Shut-off | | |
| 14 | Liquid injection (expansion) | Shut-off | Strainer | Motor | Shut-off | | |

Table 4: Hot gas defrost

| Application # | | Sequence of functions | | | |
|---------------|-----------------|-----------------------|----------|----------|----------|
| | | M1 | M2 | M3 | M4 |
| 9 | Hot gas defrost | Shut-off | Strainer | Solenoid | Shut-off |

Table 5: Hot gas defrost (ICF 50 only)

| Application # | | Sequence of functions | | | |
|---------------|--|-----------------------|--------------------------------|----------|----------|
| | | M1 | M2 | M3 | M4 |
| 47 | Hot gas defrost - On/Off 2-step solenoid | Shut-off | Strainer option ⁽¹⁾ | Solenoid | Shut-off |
| 48 | Hot gas defrost - On/Off 2-step solenoid + manual Regulating | Shut-off | Strainer option ⁽¹⁾ | Solenoid | Regul. |

⁽¹⁾ ICF 50 only

Table 6: Solenoid multiple evaporators

| Application # | | Sequence of functions | | | |
|---------------|---------------------------------|-----------------------|----------|----------|--------------|
| | | M1 | M2 | M3 | M4 |
| 11 | Solenoid - Multiple evaporators | Shut-off | Strainer | Solenoid | Check |
| 18 | Solenoid - Multiple evaporators | Shut-off | Strainer | Solenoid | Stop & check |

Table 7: Liquid PWM

| Application # | | Sequence of functions | | | |
|---------------|------------------------------------|-----------------------|----------|----------|--------------|
| | | M1 | M2 | M3 | M4 |
| 13 | Liquid injection & liquid feed PWM | Shut-off | Strainer | El. Exp. | Stop & check |

Table 8: Return line (ICF 25 with ICFG, ICF 50 and ICF 65 only)

| Application # | | Sequence of functions | | | | | |
|---------------|---|-----------------------|--------------------------------|----------------------------|-------------------------------|----|-------------------------|
| | | M1 | M2 | M3 | M4 | M5 | M6 |
| 41 | ON/OFF 2-step solenoid | Shut-off | Strainer option ⁽¹⁾ | Solenoid | Shut-off | | |
| 42 | Pressure (temperature) Mechanical control | Shut-off | Strainer option ⁽¹⁾ | ICS options ⁽²⁾ | Shut-off/Check ⁽³⁾ | | Shut-off ⁽⁴⁾ |
| 43 | Pressure (temperature) Electronic control | Shut-off | Strainer option ⁽¹⁾ | Motor | Shut-off | | |

Valve station, type ICF 15, ICF 20, ICF 25, ICF 50 and ICF 65

| Application # | | Sequence of functions | | | | | |
|---------------|---|-----------------------|--------------------------------|----------------------------|--------|----|----|
| | | M1 | M2 | M3 | M4 | M5 | M6 |
| 44 | ON/OFF 2-step solenoid + Manual Regulating | Shut-off | Strainer option ⁽¹⁾ | Solenoid | Regul. | | |
| 45 | Pressure (temperature) Mechanical control + Manual Regulating | Shut-off | Strainer option ⁽¹⁾ | ICS options ⁽²⁾ | Regul. | | |
| 46 | Pressure (temperature) Electronic control + Manual Regulating | Shut-off | Strainer option ⁽¹⁾ | Motor | Regul. | | |

⁽¹⁾ ICF 25 and ICF 50 only

⁽²⁾ ICS typical options: On/Off solenoid, Pressure or Temperature control (see [ICS Data sheet](#))

⁽³⁾ Check: ICF 25 only

⁽⁴⁾ ICF 25 only

Table 9: Miscellaneous

| Application # | Sequence of functions | | | |
|---------------|-----------------------------|----|----|----|
| | M1 | M2 | M3 | M4 |
| 90 | Multipurpose configurations | | | |

Table 10: Defrost drain line

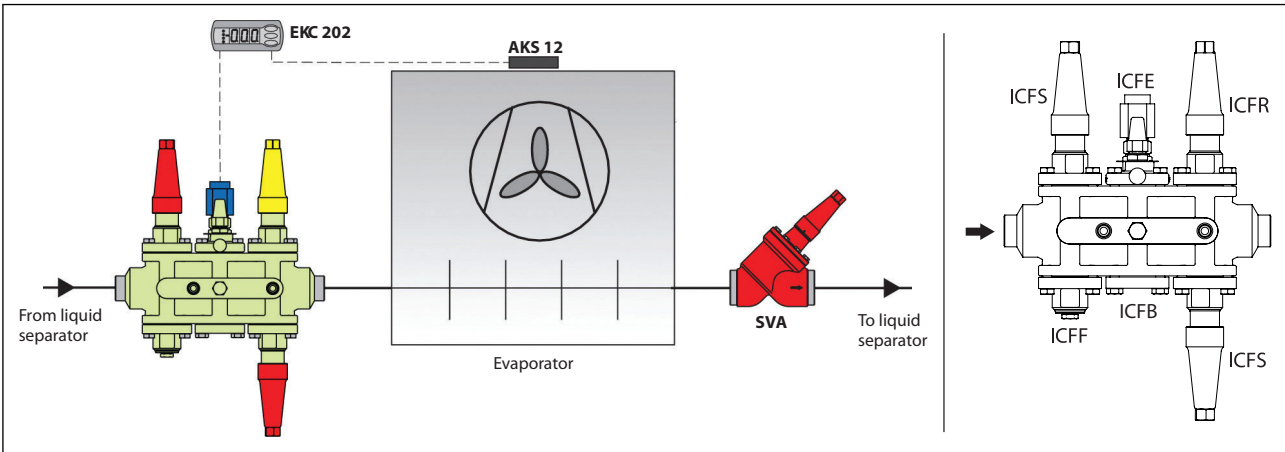
| Application # | | Sequence of functions | | | | | |
|---------------|---|-----------------------|---------------------------------|--------------|---------------------------------|----|----|
| | | M1 | M2 | M3 | M4 | M5 | M6 |
| 102D1 | Liquid drain M2 with solenoid - 2 shut-off | Shut-off | Liquid drain (ammonia) | Solenoid | Shut-off | | |
| 102D2 | Liquid drain M2 with solenoid - 2 shut-off | Shut-off | Liquid drain (CO ₂) | Solenoid | Shut-off | | |
| 103D1 | Liquid drain M4 with solenoid - 1 shut-off | Shut-off | Solenoid | | Liquid drain (ammonia) | | |
| 104D1 | Liquid drain M4 with strainer and solenoid - 1 shut-off | Shut-off | Strainer | Solenoid | Liquid drain (ammonia) | | |
| 104D2 | Liquid drain M4 with strainer and solenoid - 1 shut-off | Shut-off | Strainer | Solenoid | Liquid drain (CO ₂) | | |
| 105D1 | Liquid drain M2 with solenoid - 1 shut-off | Shut-off | Liquid drain (ammonia) | Solenoid | Shut-off | | |
| 105D2 | Liquid drain M2 with solenoid - 1 shut-off | Shut-off | Liquid drain (CO ₂) | Solenoid | | | |
| 106D1 | Liquid drain M2 with solenoid and manual opener - 1 shut off | Shut-off | Liquid drain (ammonia) | Solenoid | Man Open | | |
| 107D1 | Liquid drain M2 with solenoid and manual opener - 2 shut off | Shut-off | Liquid drain (ammonia) | Solenoid | Man Open | | |
| 108D1 | Liquid drain M2 without solenoid - 2 shut off | Shut-off | Liquid drain (ammonia) | Shut-off | | | |
| 109D2 | Liquid drain M2 | Shut-off | Liquid drain (CO ₂) | Solenoid | Stop & check | | |
| 110D1P1 | Liquid drain M2, loaded check valve without solenoid - 2 shut-off | Shut-off | Liquid drain (ammonia) | Loaded check | Shut-off | | |

Example of application

Liquid feed line

A valve combination for a flooded evaporator operating on/off from a thermostat and with electric defrost is required. Manual override of the solenoid valve is requested. Common ICF configurations for this kind of application is shown here:

Figure 1: ICF configurations

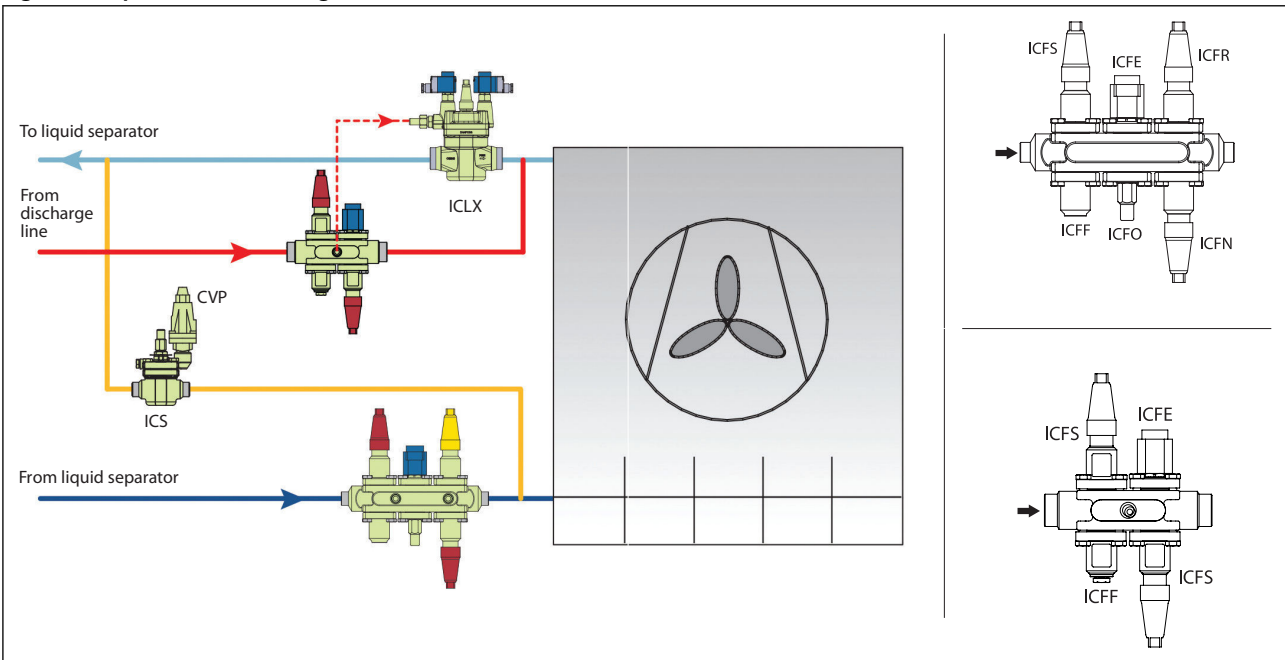


NOTE:
Not all valves are shown. Not to be used for construction purposes.

Liquid feed line / Hot gas defrost line

Evaporator with 2 stage gas powered valve ICLX in the suction line and hot gas defrost featuring: ICF liquid feed station and ICF Hot gas station with side port to power ICLX. ICS+CVP as a defrost regulator (OFV optional depending on capacity).

Figure 2: Liquid feed line / Hot gas defrost line

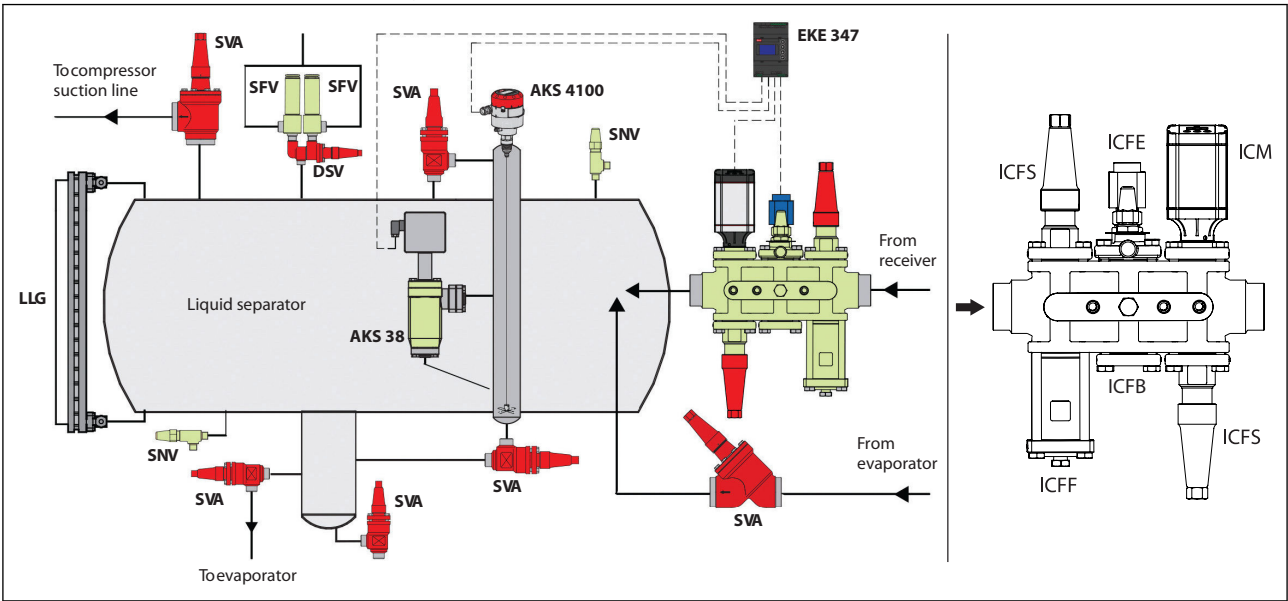


NOTE:
Not all valves are shown. Not to be used for construction purposes.

Liquid injection line

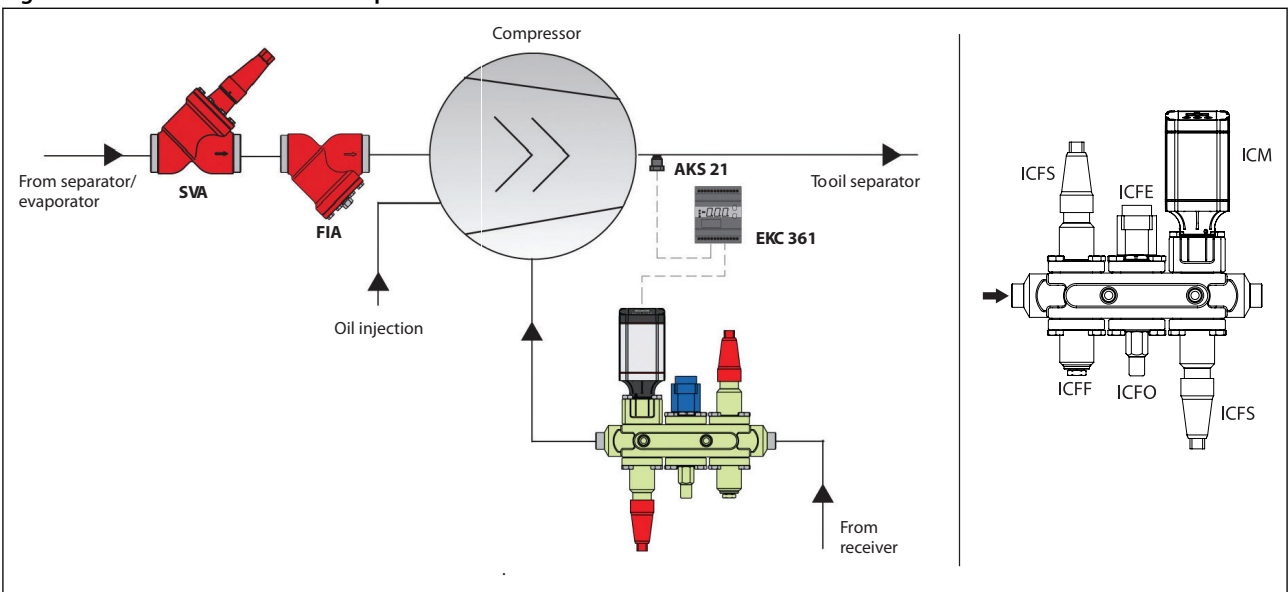
A valve combination for liquid injection to separator with electronic injection valve is required. It is requested to have a solenoid valve in front of the control valve.

Figure 3: Valve combination for liquid injection



A valve combination for compressor liquid injection with electronic injection valve is required. It is required to have a solenoid valve in front of the control valve.

Figure 4: Valve combination for compressor



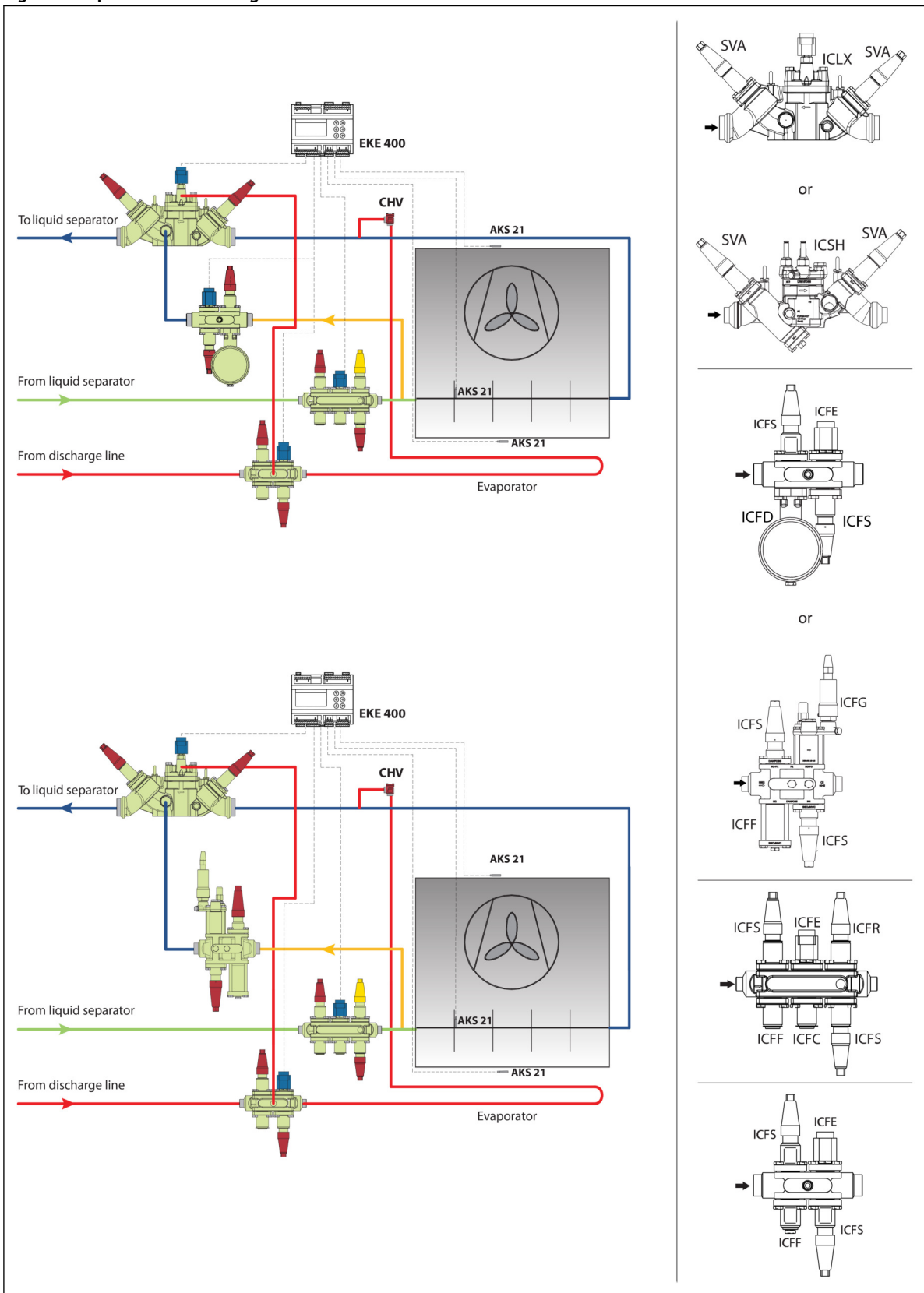
NOTE:

Not all valves are shown. Not to be used for construction purposes.

Liquid feed line / Hot gas defrost line Return line / Defrost drain line

Evaporator with 2 stage gas powered ICLX module in suction line ICF and ICF liquid feed valve station. Hot gas defrost featuring: ICF hot gas valve station with side port to power ICLX module and ICF drain station with float activated liquid drainage to suction line ICF side port.

Figure 5: Liquid feed line / Hot gas defrost line Return line / Defrost drain line



NOTE:

Not all valves are shown. Not to be used for construction purposes.

Restrictions to ICF drain station piping - please see [Application Guide - ICFD defrost module](#)

Media

Refrigerants

Applicable to HFC, R717 (Ammonia) and R744 (CO₂)

The use of ICF valve stations with flammable hydrocarbons is not recommended.

Exception: ICFD is released for ammonia and CO₂ refrigerants.

ICFD 20 - ammonia version.

ICFD 20C - CO₂ version.

Only approved for land-based applications only.

New refrigerants

Danfoss products are continually evaluated for use with new refrigerants depending on market requirements.

When a refrigerant is approved for use by Danfoss, it is added to the relevant portfolio, and the R number of the refrigerant (e.g. R513A) will be added to the technical data of the code number. Therefore, products for specific refrigerants are best checked at store.danfoss.com/en/, or by contacting your local Danfoss representative.

Functions

Each housing accommodates a maximum of two, four or six function modules (ICF 65 max. 3), of the following types:

- Shut-off valve module
- Manual regulating valve module
- Strainer module
- Solenoid valve module
- Electronic expansion valve module
- Manual opening module
- Check valve module
- Stop & check valve module
- Pilot-operated valve module
- Defrost drain module
- Motor operated valve module
- External welding connection module
- Blind top cover

Optional:

All housings except ICF 20-2 are supplied with a predefined number of side ports for the following options:

- Sight glass
- Temperature or pressure sensor
- Pressure gauge
- Side exit for drain or bypass.

Module and side port arrangement

Table 11: Module and side port arrangement

| | |
|--|---|
| <p style="text-align: center;">ICF 15-4</p> | <p style="text-align: center;">Flow in an ICF 15-4</p> |
| <p style="text-align: center;">ICF 20-2</p> | <p style="text-align: center;">Flow in an ICF 20-2</p> |
| <p style="text-align: center;">ICF 20-4, 25-4</p> | <p style="text-align: center;">Flow in an ICF 20-4, 25-4</p> |
| <p style="text-align: center;">ICF 20-6, 25-6</p> | <p style="text-align: center;">Flow in an ICF 20-6, 25-6</p> |
| <p style="text-align: center;">ICF 50-4</p> | <p style="text-align: center;">Flow in an ICF 50-4</p> |
| <p style="text-align: center;">ICF 65-3</p> | <p style="text-align: center;">Flow in an ICF 65-3</p> |

Valve station, type ICF 15, ICF 20, ICF 25, ICF 50 and ICF 65

NOTE:
ICF 20-2 has no side ports.

Table 12: Module and side port arrangement

| | |
|---|---|
| <p>All ICF 15-4 DIN, ANSI and Socket connections. 2 side ports - right hand side in flow direction</p> <p>Example: ICF 15-4-8 DIN</p> | <p>All ICF 20/25-4 DIN, ANSI and Socket connections. 4 side ports - 2 opposite on each side</p> <p>Example: ICF 25-4-9 SOC</p> |
| <p>3/8 in. G for DIN and ANSI connections 3/8 in. NPT for SOC connections</p> <p>Drain Plug Thread: Please refer to Material specification section page 19 - 35</p> | <p>3/8 in. G for DIN and ANSI connections 3/8 in. NPT for SOC connections</p> <p>Drain Plug Thread: Please refer to Material specification section page 19 - 35</p> |

Table 13: Module and side port arrangement

| | |
|---|---|
| <p>All ICF 20/25-6 DIN, ANSI and Socket connections. 6 side ports - 3 opposite on each side</p> <p>Example: ICF 20-6-5MB DIN</p> | <p>All ICF 20/25-6 DIN, ANSI and Socket connections. 6 side ports - 3 opposite on each side</p> <p>Example: ICF 20-6-2HRB SOC</p> |
| <p>3/8 in. G for DIN and ANSI connections 3/8 in. NPT for SOC connections</p> <p>Drain Plug Thread: Please refer to Material specification section page 19 - 35</p> | <p>3/8 in. G for DIN and ANSI connections 3/8 in. NPT for SOC connections</p> <p>Drain Plug Thread: Please refer to Material specification section page 19 - 35</p> |

Valve station, type ICF 15, ICF 20, ICF 25, ICF 50 and ICF 65

Table 14: Module and side port arrangement

| All ICF 50-4 DIN, ANSI and Socket connections. 4 side ports - 2 opposite on each side Example: ICF 50-4-42S50 SOC | All ICF 65-3 DIN and ANSI connections. 4 side ports - 2 opposite on each side Example: ICF 65-3-43MA DIN |
|--|---|
| | |

Description of the function modules for ICF 15 and 20

ICF 15 and ICF 20 have the same function modules except for the two fixed modules M1 (stop valve ICFS 15) and M2 (filter ICFF 15) in ICF 15.

ICF 20-2 is only available with modules ICFE 20, ICFE 20H, ICFB 20 and ICFO 20.

Table 15: ICFS 15 / ICFS 20 / ICFR 20A / ICFC 20 / ICFC 20P1

| ICFS 15 / ICFS 20 Shut-off valve module This module has the function of a stop valve, and has a red cap | ICFR 20A Manual regulating valve module This module has the function of a hand regulating valve, and has a yellow cap ICFR modules in closed position can be used as normal shut-off valves | ICFC 20 / ICFC 20P1 ICFC Standard check valve module ICFC 20P1 Loaded check valve module Opening pressure of approx. 0.5 bar, and is fully open at 0.7 bar |
|---|--|---|
| | | |

Valve station, type ICF 15, ICF 20, ICF 25, ICF 50 and ICF 65

Table 16: ICFF 15/20 / ICFF 20E / ICFN 20 / ICFE 20 / ICFA 20

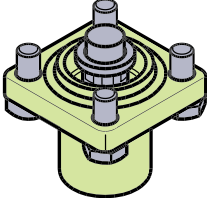
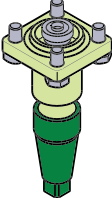
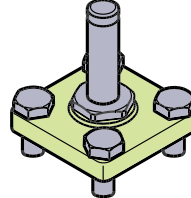
| | | |
|--|---|--|
| <p>ICFF 15/20 / ICFF 20E Strainer module This module functions as a strainer</p> <p>ICF 15, all connections: Strainer element 150μ (100 mesh) 60 cm² (9.3 in²)</p> <p>ICF 20, with DIN/ANSI connections: Pleated 150μ (100 mesh) 45 cm² (7.0 in²)</p> <p>ICF 20 with SOC connections (ICFF 20E): Pleated 150μ (100 mesh) / 160 cm² (24.8 in²)</p> | <p>ICFN 20 Stop & check valve module This module has the function of a combined stop and check valve, and has a green cap</p> | <p>ICFE 20 and ICFE 20L Solenoid valve module This module has the function of a normally closed solenoid valve for controlling the refrigerant flow ICFE 20L - low capacity module (EVRA 10 replacement)</p> <p>ICFA 20 Electronic expansion valve module This module has the function of an electronic pulse width modulating (PWM) expansion valve</p> |
|  |  |  |

Table 17: ICM 20-A, B or C / ICFO 20 / ICFB 20

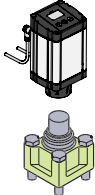
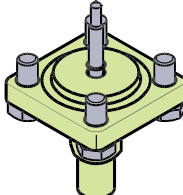
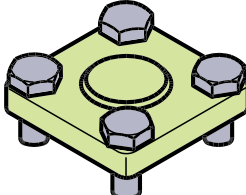
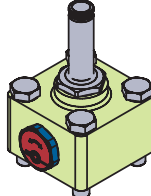
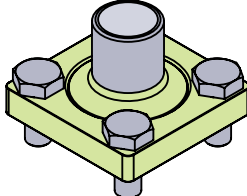
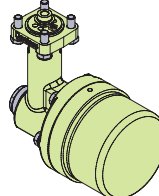
| | | |
|---|---|---|
| <p>ICM 20-A, B or C Motor operated valve module This module is a stepper motor actuator valve for on/off and modulating control of the refrigerant flow</p> | <p>ICFO 20 Manual opening module This module facilitates the manual opening of the solenoid valve (type ICFE)</p> | <p>ICFB 20 Blind top cover This provides a blanking cover for unused module ports</p> |
|  |  |  |

Table 18: ICFE 20H / ICFW 20 / ICFD 20 / ICFD 20C

| | | |
|--|--|--|
| <p>ICFE 20H Solenoid valve module with integrated manual opener This module has the function of a normally closed solenoid valve for controlling the refrigerant flow. A filter before the ICFE 20H is recommended</p> | <p>ICFW 20 Welding module 20 DIN or 3/4" SOC This module is used for drain connection during hot-gas defrosting - in case of high capacity</p> | <p>ICFD 20 / ICFD 20C Float operated valve module This module opens for liquid flow when the float is lifted by the internal liquid level</p> <p>ICFD 20 - ammonia version ICFD 20C - CO₂ version</p> |
|  |  |  |

NOTE:

At about 10% of maximum mass flow of ICFE 20H, the pressure differential correspond to about 0.07 bar/1 psi. ICFE 20H will start to open at these conditions.

At a pressure differential of minimum 0.2 bar/2.9 psi ICFE 20H will be 100% open.

Description of the function modules for ICF 25

Table 19: ICFS 25 / ICFR 25, A or B / ICFC 25

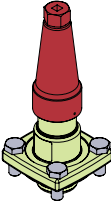

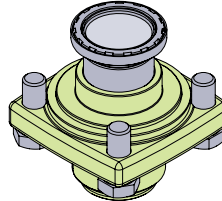
| | | |
|---|--|--|
| <p>ICFS 25 Shut-off valve module This module has the function of a stop valve, and has a red cap</p> | <p>ICFR 25, A or B Manual regulating valve module This module has the function of a hand regulating valve, and has a yellow cap ICFR modules in closed position can be used as normal shut-off valves</p> | <p>ICFC 25 Check valve module This module has the function of a check valve</p> |
|  |  |  |

Table 20: ICFF 25 / ICFF 25E / ICFN 25 / ICFE 25

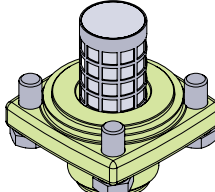
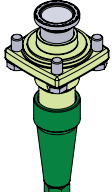
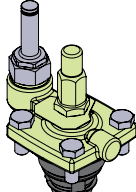
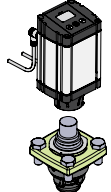
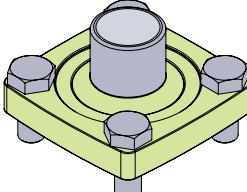
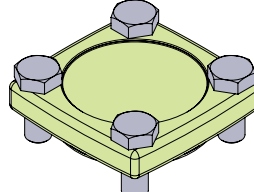
| | | |
|--|--|--|
| <p>ICFF 25 / ICFF 25E Strainer module This module functions as a strainer</p> <p>Strainer size: ICF with DIN and ANSI (ICFF 25) connections: Pleated 150μ (100 mesh) / 160 cm² (24.8 in²)</p> <p>ICF with SOC connections (ICF 25E): Pleated 150μ (100 mesh) / 330 cm² (51.2 in²)</p> | <p>ICFN 25 Stop & check valve module This module has the function of a combined stop and check valve, and has a green cap</p> | <p>ICFE 25 Solenoid valve module This module has the function of a normally closed solenoid valve for controlling the refrigerant flow. It has a built-in manual opening function</p> <p>NOTE: At about 10% of maximum mass flow of ICFE 25, the pressure differential correspond to about 0.07 bar/1 psi. ICFE 25 will start to open at these conditions.</p> <p>At a pressure differential of minimum 0.2 bar/2.9 psi ICFE 25 will be 100% open.</p> |
|  |  |  |

Table 21: ICM 25-A or B / ICFW 25 / ICFB 25

| | | |
|---|---|--|
| <p>ICM 25-A or B Motor operated valve module This module is a stepper motor actuator valve for on/off and modulating control of the refrigerant flow</p> | <p>ICFW 25 ICFR modules in closed position can be used as normal shut-off valves Welding module, 25 DIN or 25 (1") SOC This module is used for drain connection during hot-gas defrosting - in case of high capacity</p> | <p>ICFB 25 Blind top cover This provides a blanking cover for unused module ports</p> |
|  |  |  |

Valve station, type ICF 15, ICF 20, ICF 25, ICF 50 and ICF 65

Table 22: ICFG 25

| | | |
|--|--|--|
| <p>ICFG 25 Pilot-operated valve module This module is used together with an ICS 25 Insert + top cover + pilot for typical ICS regulations</p> | | |
|  | | |

Description of the function modules for ICF 50 and ICF 65

Table 23: SVA-S 50 / SVA 65 / REG-SB 50 / REG-SB 65 / ICFB 50

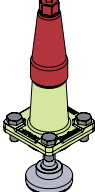
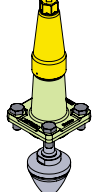
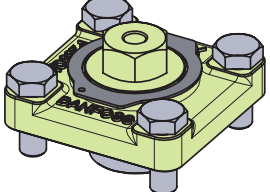
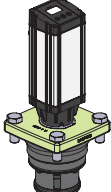
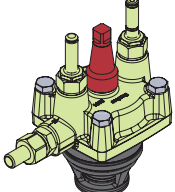
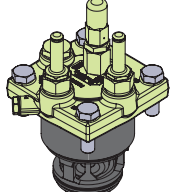
| | | |
|---|--|---|
| <p>SVA-S 50 / SVA 65 Shut-off valve module This module has the function of a stop valve, and has a red cap</p> | <p>REG-SB 50 / REG-SB 65 Manual regulating valve module This module has the function of a hand regulating valve, and has a yellow cap</p> | <p>ICFB 50 Blind cover Prepared for insert of strainer (see below)</p> |
|  |  |  |

Table 24: ICM 50 / ICM 65 - A or B / ICLX 50 / ICLX 65 / ICSH 50 / ICSH 65

| | | |
|--|---|---|
| <p>ICM 50 / ICM 65 - A or B Motor operated valve module This module is a stepper motor actuator valve for on/off and modulating control of the refrigerant flow</p> | <p>ICLX 50 / ICLX 65 2-step solenoid valve module This module has the function of a normally closed gas powered solenoid valve for controlling the refrigerant flow It has a built-in manual opening function ICLX is used in suction lines for opening in 2 steps after hot gas defrost</p> | <p>ICSH 50/ICSH 65 2-step solenoid valve module This module has the function of a normally closed solenoid valve for controlling the refrigerant flow It has a built-in manual opening function ICSH is used in hot gas lines for the opening of hot gas defrost flow to the evaporator in 2 steps</p> |
|  |  |  |

Valve station, type ICF 15, ICF 20, ICF 25, ICF 50 and ICF 65

Table 25: ICS 50 / ICS 65 / FIA 50

ICS 50 / ICS 65

Pilot-operated valve module

This module has the function of a pilot-operated valve for on/off and modulating control of the refrigerant flow

All ICS modules are 3-pilot versions. They are supplied with two blanking plugs (A) and one sealing plug (B)

ICS 50 and 65 inserts are available in different capacities:

ICS 50:

ICS 50

ICS 50-32

ICS 50-40

ICS 65:

ICS 65

ICS 65-40

ICS 80

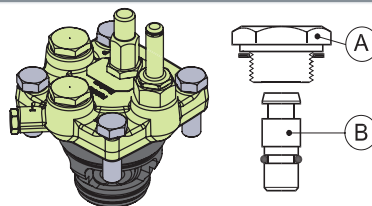


Table 26: ICS 50 / ICS 65 / FIA 50

FIA 50 (option)

Strainer insert

Please order FIA 50 strainer insert and element from the FIA part programme. For further information please consult the data sheet for FIA strainers

Available elements:

See below



Table 27: Strainer insert

| Strainer insert | Strainer insert | Strainer insert | Strainer insert | Pleated Strainer insert | Pleated Strainer insert | Pleated Strainer insert |
|------------------|------------------|-----------------|-----------------|-------------------------|-------------------------|-------------------------|
| 100µ 150 mesh | 150µ 100 mesh | 250µ 72 mesh | 500µ 38 mesh | 150µ 100 mesh | 250µ 72 mesh | 500µ 38 mesh |
| 148H3157 | 148H3130 | 148H3138 | 148H3144 | 148H3179 | 148H3184 | 148H3189 |

Product specification

Pressure and temperature

Temperature range

ICF complete platform

-60/+120 °C (-76/+ 248 °F)

Exceptions

ICM: If the ICM module is going to be used in liquid refrigerant with a temperature above 75 °C (167 °F) please contact Danfoss.

ICFD 20: -50/+50 °C (-58/+122 °F) at 28 bar (406 psig)

ICFD 20C: -50/+50 °C (-58/+122 °F) at 52 bar (754 psig)

Ambient temperature for ICF with ICAD

-30/+50 °C (-22/+122 °F)

Surface protection

The external surface is zinc-TLP treated to provide corrosion protection according to EN ISO 2081:2009. Additional on-site corrosion protection is recommended.

Pressure

The general ICF is designed for max. working pressure: 52 bar (754 psig).

ICF 20-2:

Max. working pressure: 65 bar (943 psig).

ICFD 20 (Ammonia):

For ICF with ICFD module the max. working pressure is 28 bar/406 psig. If the refrigeration system include ICFD 20 module, a test pressure of the system must not exceed 28 bar/406 psig, unless the ICFD float is temporarily taken out before test.

ICFD 20C (CO₂)

For ICF with ICFD 20C module the max. working pressure is 52 bar/754 psig. If the refrigeration system include ICFD 20 module, a test pressure of the system must not exceed 52 bar/754 psig, unless the ICFD 20C float is temporarily taken out before test.

Max. working pressure for ICFD without float: 52 bar (754 psig).

Maximum differential pressure

ICFD 20: 15 bar/218 psig. For higher differential pressure, please contact Danfoss.

ICFD 20C: 36 bar/522 psig.

Design

The main components of the ICF valve station are:

- A housing
- A maximum of two, four or six function modules (ICF 65 - max. 3)
 - In all ICF 15 the modules M1 and M2 are predefined as shut-off valve and strainer module
 - In all ICF 50 the modules M1 and M2 are predefined as shut-off valve and blind cover (prepared for strainer)
 - In all ICF 65 the module M1 is predefined as shut-off valve

Housing

The design allows maximum capacity and minimum pressure drop, using advanced technology and double seats – offering higher capacity than conventional systems using individual valves and components.

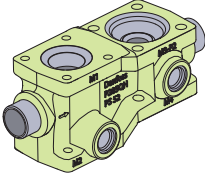
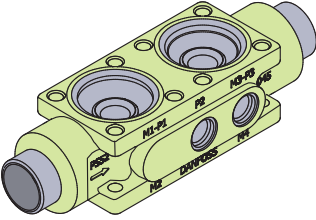
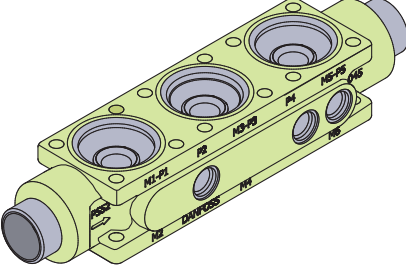
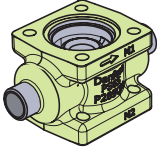
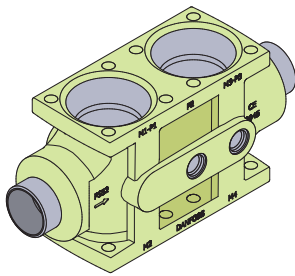
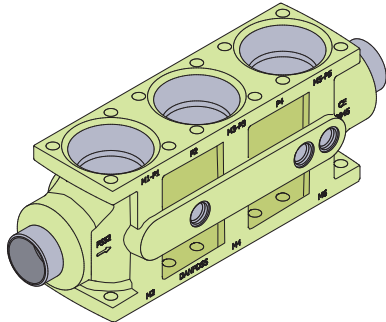
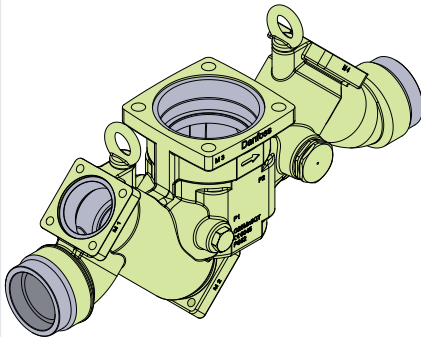
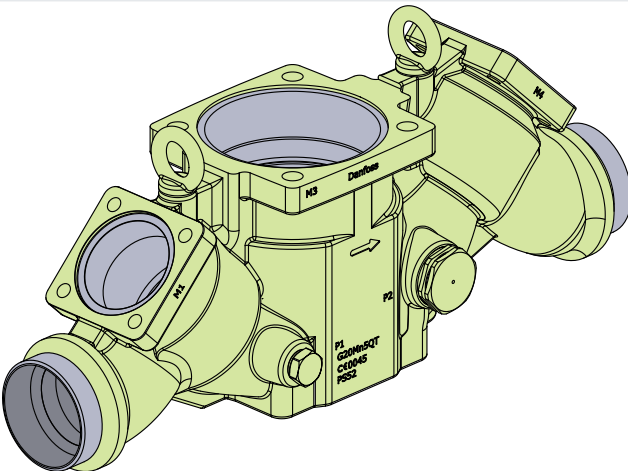
The ICF valve station is multifunctional.

Valve station, type ICF 15, ICF 20, ICF 25, ICF 50 and ICF 65

ICF valve station offers compact dimensions and shortened installation time due to the reduced number of direct welded connections.

Supplied as a complete assembly, it is leak tested at high pressure and its functions are tested under factory controlled conditions.

Table 28: Housing

| | | |
|---|--|--|
| <p style="text-align: center;">ICF 15-4</p>  | <p style="text-align: center;">ICF 20-4</p>  | <p style="text-align: center;">ICF 20-6</p>  |
| <p style="text-align: center;">ICF 20-2</p>  | <p style="text-align: center;">ICF 25-4</p>  | <p style="text-align: center;">ICF 25-6</p>  |
| <p style="text-align: center;">ICF 50-4</p>  | <p style="text-align: center;">ICF 65-3</p>  | |

Housing and function module material

Low temperature steel

NOTE:

When using TIG/MIG/SMAW welding technology, it is possible to install the ICF valve station without prior removal of the function modules from the housing. If using other welding methods or brazing the modules must be removed during the process.

Please consult the product instruction for more details and exceptions.

Material specification

ICF housing

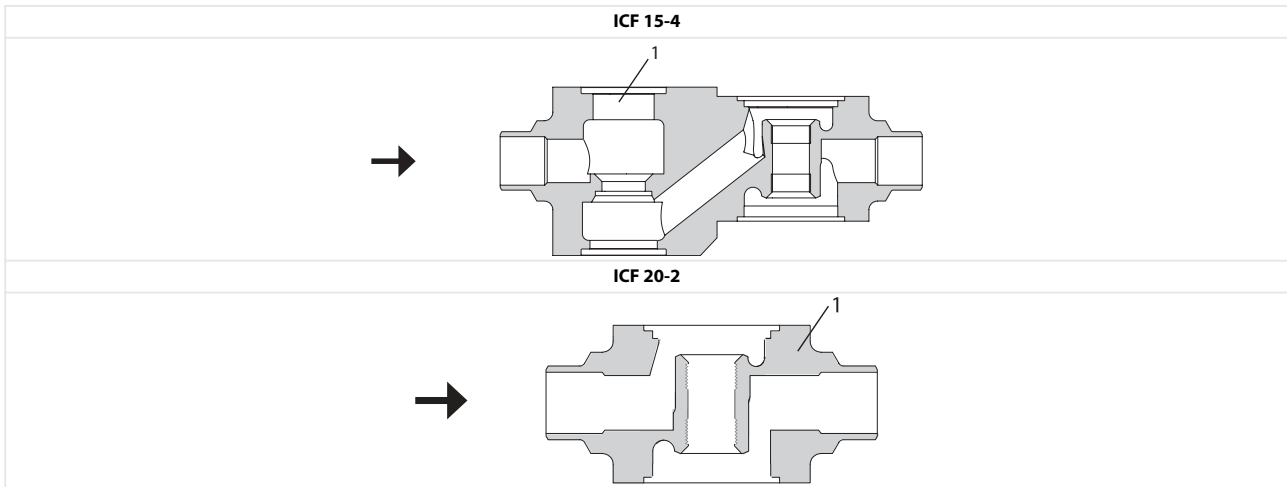


Table 29: ICF 15-4 & ICF 20-2

| Pos. | Part | Material | EN ⁽¹⁾ | ASTM ⁽²⁾ |
|------|---------|----------|-------------------|---------------------|
| 1 | Housing | Steel | P285QH, 10222-4 | LF2, A350 |

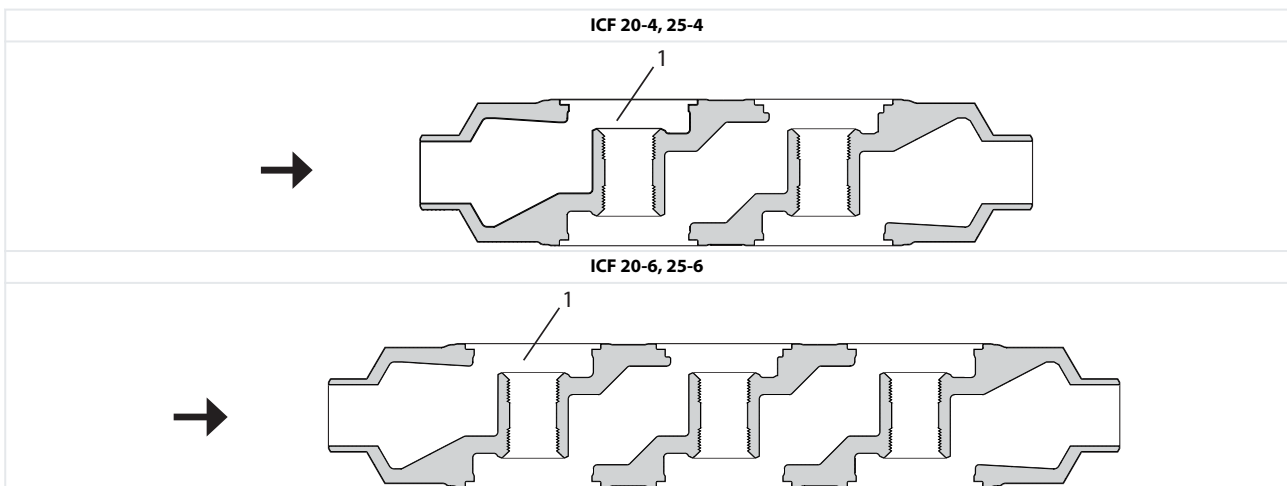


Table 30: ICF 20-4, 25-4 & ICF 20-6, 25-6

| Pos. | Part | Material | EN ⁽¹⁾ | ASTM ⁽²⁾ |
|------|---------|----------|-------------------|---------------------|
| 1 | Housing | Steel | P285QH, 10222-4 | LF2, A350 |

⁽¹⁾ Primary Design Standard

⁽²⁾ Equivalent Material Standard

Valve station, type ICF 15, ICF 20, ICF 25, ICF 50 and ICF 65

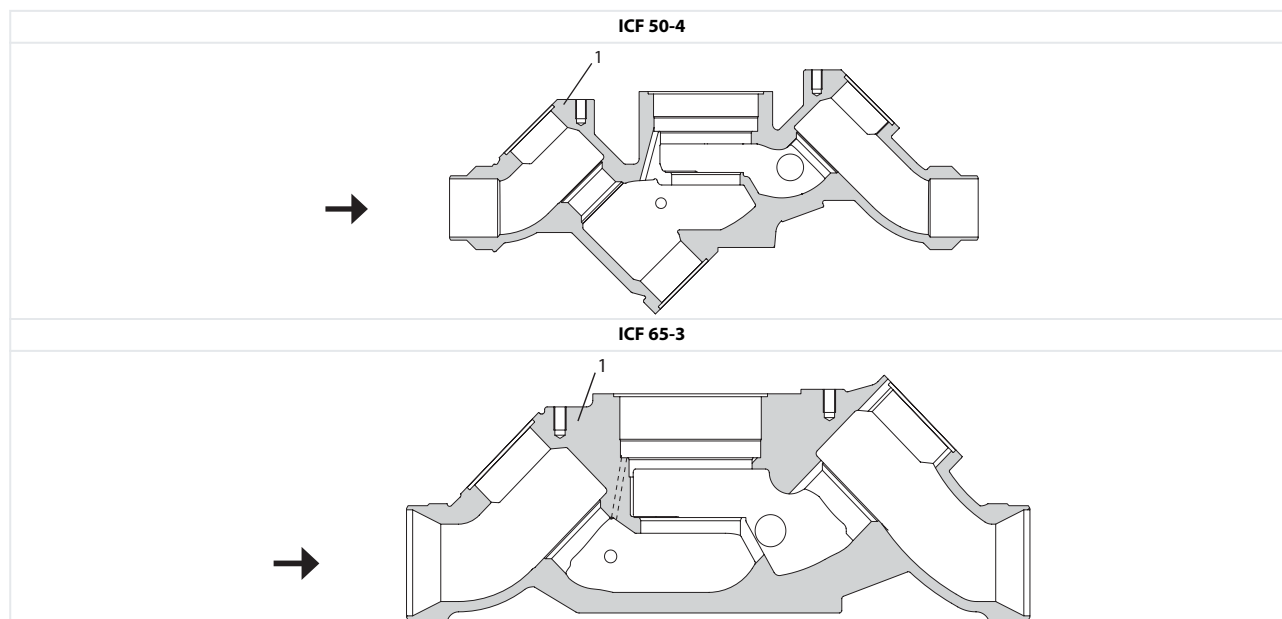


Table 31: ICF 50-4 & ICF 65-3

| Pos. | Part | Material | EN ⁽¹⁾ | ASTM ⁽²⁾ | JIS ⁽²⁾ |
|------|---------|----------------------------|------------------------|---------------------|--------------------|
| 1 | Housing | Cast steel low temperature | G20Mn5QT EN 10213-3 | LCC, A352 | SCPL1, G5151 |

⁽¹⁾ Primary Design Standard

⁽²⁾ Equivalent Material Standard

ICFS 15 shut-off valve module

Figure 6: ICFS 15 shut-off valve module

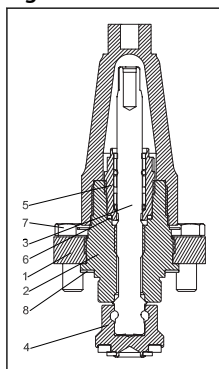


Table 32: ICFS 15 shut-off valve module

| Pos. | Part | Material | EN ⁽¹⁾ | ASTM ⁽²⁾ | JIS ⁽²⁾ |
|------|----------------------|-----------------|--|---------------------|--------------------|
| 1 | Bonnet, Flange Steel | Steel | G20Mn5QT 10213-3 P285QH+QT 10222-4 P275NL 10028-3 | LCC, A352 LF2, A350 | |
| 2 | Bonnet, Insert | Steel | 11SMn30 10087 | AISI 1213 | Type 2 R 683/9 |
| 3 | Spindle | Stainless steel | X8CrNiS18-9 10088 | AISI 303 | Type 17 683/13 |
| 4 | Cone | Steel | 11SMn30 10087 | AISI 1213 | Type 2 R 683/9 |
| 5 | Packing gland | Stainless steel | X8CrNiS18-9 10088 | AISI 303 | Type 17 683/13 |

Valve station, type ICF 15, ICF 20, ICF 25, ICF 50 and ICF 65

| Pos. | Part | Material | EN ⁽¹⁾ | ASTM ⁽²⁾ | JIS ⁽²⁾ |
|------|----------------|---------------------|-------------------|---------------------|--------------------|
| 6 | Packing washer | Aluminium | | | |
| 7 | Bolts | Stainless steel | A2-70 | Type 308 | A2-70 |
| 8 | Gasket | Fiber, Non-asbestos | | | |

ICFS 20 shut-off valve module

Figure 7: ICFS 20 shut-off valve module

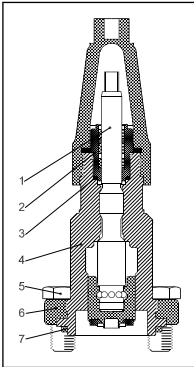


Table 33: ICFS 20 shut-off valve module

| Pos. | Part | Material | EN ⁽¹⁾ | ASTM ⁽²⁾ | JIS ⁽²⁾ |
|------|---------------------------|----------------------------|--|---------------------|--------------------|
| 1 | Spindle | Stainless steel | X8CrNiS 18-9 EN 10088 | | G4303 G4304 |
| 2 | Thread part | Stainless steel | X8CrNiS 18-9 EN 10088 | | G4303 G4304 |
| 3 | AL-gasket/Refrig. Gasket | | AL99 alloy no. 1200 DIN 1712 BL.3 | AL1200 | |
| 4 | Bonnet | Steel | S235JRG2 EN 10025 | A283 | G3101 |
| 5 | Hex-head bolt M10 × 25 | Stainless steel | A2-70 EN 24017 | A320 | A2-70 |
| 6 | Flange | Cast steel low temperature | G20Mn5QT, 10213-3 P285QH+QT, 10222-4 P275NL, 10028-3 | A352 | G5152 |
| 7 | Gasket | Chloroprene (Neoprene) | | | |

ICFF 15 strainer module (strainer element 150 μ (100 mesh) 60 cm² (9.3 in²))

Figure 8:

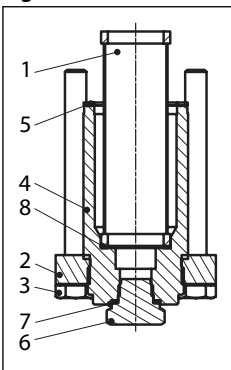


Table 34: ICFF 15 strainer module (strainer element 150 μ (100 mesh) 60 cm² (9.3 in²))

| Pos. | Part | Material | EN ⁽¹⁾ | ASTM ⁽²⁾ | JIS ⁽²⁾ |
|------|----------------|-----------------|--|------------------------|--------------------|
| 1 | Strainer | Stainless steel | | | |
| 2 | Flange bonnet | Steel | G20Mn5QT, 10213-3 P285QH+QT, 10222-4 P275NL, 10028-3 | LCC, A352 LF2, A350 | |
| 3 | Bolt | Stainless steel | A2-70 | Type 308 | A2-70 |
| 4 | ICFF 15 bonnet | Steel | S355J2+N 1.0570 / 1.0577 EN 10025-2 | ASTM A572-50 | |

Valve station, type ICF 15, ICF 20, ICF 25, ICF 50 and ICF 65

| Pos. | Part | Material | EN ⁽¹⁾ | ASTM ⁽²⁾ | JIS ⁽²⁾ |
|------|---|---------------------|-------------------|---------------------|--------------------|
| 5 | Flat gasket | Fiber, Non-asbestos | | | |
| 6 | Plug 1/4" RG for butt-weld 3/8" NPT for socket weld | Steel | 11SMnPb30 | | |
| 7 | Gasket - metal joint | Aluminium | | | |
| 8 | Wave spring | Steel | | | |

ICFF 20 strainer module

Figure 9: ICFF 20 strainer module

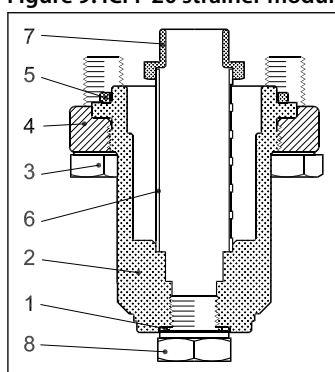


Table 35: ICFF 20 strainer module

| Pos. | Part | Material | EN ⁽¹⁾ | ASTM ⁽²⁾ | JIS ⁽²⁾ |
|------|--|----------------------------|--|---------------------|--------------------|
| 1 | Gasket | AL 99 F11 | | | |
| 2 | Bonnet | Steel | S235JRG2 EN 10025 | A283 | G3101 |
| 3 | Hex-head bolt M10 x 25 | Stainless steel | A2-70 EN 24017 | A320 | A2-70 |
| 4 | Flange | Cast steel low temperature | G20Mn5QT, 10213-3 P285QH+QT, 10222-4 P275NL, 10028-3 | A352 | G5152 |
| 5 | Gasket | Chloroprene (Neoprene) | | | |
| 6 | Strainer element | Stainless steel 150µ | 1.4301 | A304 | SUS304 |
| 7 | Plug | Steel | | | |
| 8 | Plug 1/4" RG for butt-weld 3/8" NPT for socket weld | Stainless steel | A2-70 EN 24017 | A320 | A2-70 |

ICFF 20E extended strainer module

Figure 10: ICFF 20E extended strainer module

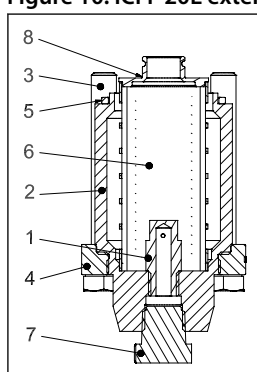


Table 36: ICFF 20E extended strainer module

| Pos. | Part | Material | EN ⁽¹⁾ | ASTM ⁽²⁾ | JIS ⁽²⁾ |
|------|----------------------|-----------------|---------------------|---------------------|--------------------|
| 1 | Dirt protection plug | Steel | 11SMn30 EN 10087 | Grade 1213 A29 | G4804 |
| 2 | Bonnet | Steel | 11SMn30 EN 10087 | Grade 1213 A29 | G4804 |
| 3 | Hex-head bolt M12x80 | Stainless steel | A2-70 EN 1515-1 | Grade B8 A320 | A2-70 B1054 |

Valve station, type ICF 15, ICF 20, ICF 25, ICF 50 and ICF 65

| Pos. | Part | Material | EN ⁽¹⁾ | ASTM ⁽²⁾ | JIS ⁽²⁾ |
|------|------------------|------------------------|--|--------------------------|-------------------------------------|
| 4 | Flange | Steel | G20Mn5QT, 10213-3 P285QH+QT, 10222-4 P275NL, 10028-3 | LF2 - A350 LCC - A352 | SFL2 - G3205 SCPL1 - G5152 |
| 5 | Gasket | Chloroprene (Neoprene) | | | |
| 6 | Strainer element | Stainless steel 250m | 1.4301 | A304 | SUS304 |
| 7 | Plug 3/8" NPT | Steel | 11SMn30 EN 10087 | Grade 1213 A29 | G4804 |
| 8 | Strainer adaptor | Steel | 11SMn30 EN 10087 | Grade 1213 A29 | G4804 |

ICFE 20 and ICFE 20L solenoid valve module

Figure 11: ICFE 20 solenoid valve module Figure 12: ICFE 20L solenoid valve module

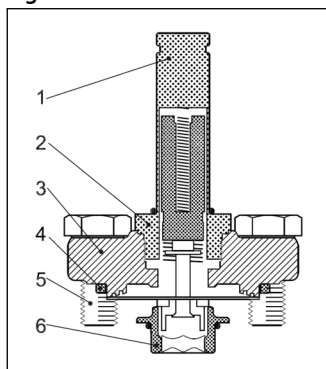
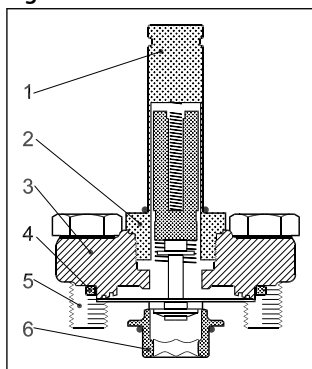
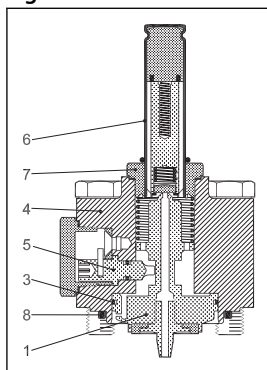


Table 37: ICFE 20 and ICFE 20L solenoid valve module

| Pos. | Part | Material | EN ⁽¹⁾ | ASTM ⁽²⁾ | JIS ⁽²⁾ |
|------|------------------------|---|--|---------------------|--------------------|
| 1 | Armature tube | Stainless steel | X2CrNi19-11 EN 10088 | | |
| 2 | Armature tube nut | Stainless steel | X8CrNiS18-9 EN 10088 | | |
| 3 | Flange | Cast Steel low temperature | G20Mn5QT, 10213-3 P285QH+QT, 10222-4 P275NL, 10028-3 | A352 | G5152 |
| 4 | Gasket | ICF 15-4, ICF 20-4/6 Chloroprene (Neoprene) ICF 20-2: Fiber (Non-asbestos) | | | |
| 5 | Hex-Head bolt M10 x 25 | Stainless steel | A2-70 EN 24017 | A320 | A2-70 |
| 6 | Seat | High density polymer | | | |

ICFE 20H solenoid valve module

Figure 13: ICFE 20H solenoid valve module



Valve station, type ICF 15, ICF 20, ICF 25, ICF 50 and ICF 65

Table 38: ICFE 20H solenoid valve module

| Pos. | Part | Material | EN ⁽¹⁾ | ASTM ⁽²⁾ | JIS ⁽²⁾ |
|------|-------------------|---|---------------------|---------------------|--------------------|
| 1 | Piston | Steel | 115Mn30 EN 10025 | | |
| 2 | Seat | Teflon | | | |
| 3 | Piston ring | | | | |
| 4 | Bonnet cylinder | Steel | P285QH EN 10222 | A350 | G3205 |
| 5 | Manual opener | Steel | | | |
| 6 | Armature tube | Stainless steel | X2CrNi19-11 EN10028 | | |
| 7 | Armature tube nut | Stainless steel | X2CrNi19-11 EN10216 | A320 | A2-70 |
| 8 | Gasket | ICF 15-4, ICF 20-4/6 Chloroprene (Neoprene) ICF 20-2: Fiber (Non-asbestos) | | | |

ICFO 20 manual opening module

Figure 14:

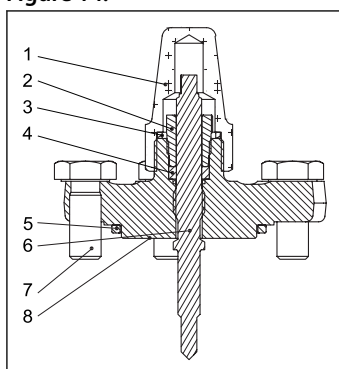


Table 39: ICFO 20 manual opening module

| Pos. | Part | Material | EN ⁽¹⁾ | ASTM ⁽²⁾ | JIS ⁽²⁾ |
|------|---------------------------|---|--|---------------------|--------------------|
| 1 | Seal cap | Steel | DIN 1651-95Mn28 TLP surface treatment | 1213 (SAE) | SUM 22 |
| 2 | Gland nut | Steel | DIN 1651 95Mn28 Zinc Chromate Surface treatment | 1213 (SAE) | SUM 22 |
| 3 | Seal cap gasket | Nylon | Polyamid A6 | Polyamid PA6 | Polyamid PA6 |
| 4 | Sealing ring | Teflon | PTFE | PTFE | PTFE |
| 5 | Gasket | ICF 15-4, ICF 20-4/6 Chloroprene (Neoprene) ICF 20-2: Fiber (Non-asbestos) | CR | CR | CR |
| 6 | Spindle | Stainless steel | X8CrNiS 18-9 EN 10088 | G4303 G4304 | SUS 303 |
| 7 | Hex-head bolt M10 x 25 | Stainless steel | A2-70 EN 24017 | A320 | A2-70 |
| 8 | Flange | Cast steel low temperature | EN10222-4 P285QH | | |

ICFR 20 manual regulating valve module

Figure 15: ICFR 20 manual regulating valve module

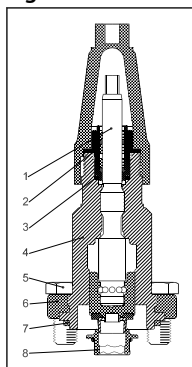


Table 40: ICFR 20 manual regulating valve module

| Pos. | Part | Material | EN ⁽¹⁾ | ASTM ⁽²⁾ | JIS ⁽²⁾ |
|------|---------------------------|----------------------------|--|---------------------|--------------------|
| 1 | Spindle | Stainless steel | X8CrNiS 18-9 EN 10088 | | G4303 G4304 |
| 2 | Thread part | Stainless steel | X8CrNiS 18-9 EN 10088 | | G4303 G4304 |
| 3 | AL-gasket | | AL99 alloy no. 1200 DIN 1712 BL.3 | | |
| 4 | Bonnet | Steel | S235JRG2 EN 10025 | A283 | G3101 |
| 5 | Hex-head bolt M10 × 25 | Stainless steel | A2-70 EN 24017 | A320 | A2-70 |
| 6 | Flange | Cast steel low temperature | G20Mn5QT, 10213-3 P285QH+QT, 10222-4 P275NL, 10028-3 | A352 | G5152 |
| 7 | Gasket | Chloroprene (Neoprene) | | | |
| 8 | Seat | High density polymer | | | |

ICFA 20 electronic expansion valve module

Figure 16: ICFA 20 electronic expansion valve module

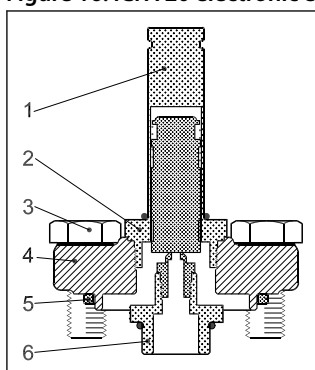


Table 41: ICFA 20 electronic expansion valve module

| Pos. | Part | Material | EN ⁽¹⁾ | ASTM ⁽²⁾ | JIS ⁽²⁾ |
|------|------------------------|----------------------------|--|---------------------|--------------------|
| 1 | Armature tube | Stainless steel | X2CrNi19-11 EN 10088 | | |
| 2 | Armature tube nut | Stainless steel | X8CrNiS18-9 EN 10088 | | |
| 3 | Hex-head bolt M10 × 25 | Stainless steel | A2-70 EN 24017 | A320 | A2-70 |
| 4 | Flange | Cast steel low temperature | G20Mn5QT, 10213-3 P285QH+QT, 10222-4 P275NL, 10028-3 | A352 | G5152 |
| 5 | Gasket | Chloroprene (Neoprene) | | | |
| 6 | Adaptor | Steel | | | |

ICFC 20 check valve module

Figure 17: ICFC 20 check valve module

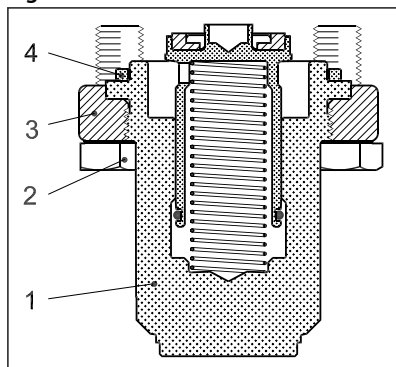


Table 42: ICFC 20 check valve module

| Pos. | Part | Material | EN ⁽¹⁾ | ASTM ⁽²⁾ | JIS ⁽²⁾ |
|------|---------------------------|----------------------------|--|---------------------|--------------------|
| 1 | Bonnet | Steel | S235JRG2 | A283 | G3101 |
| 2 | Hex-head bolt M10 × 25 | Stainless steel | A2-70 EN 24017 | A320 | A2-70 |
| 3 | Flange | Cast steel low temperature | G20Mn5QT, 10213-3 P285QH+QT, 10222-4 P275NL, 10028-3 | A352 | AG5152 |
| 4 | Gasket | Chloroprene (Neoprene) | | | |

ICFC 20P1 check valve module

Figure 18: ICFC 20P1 check valve module

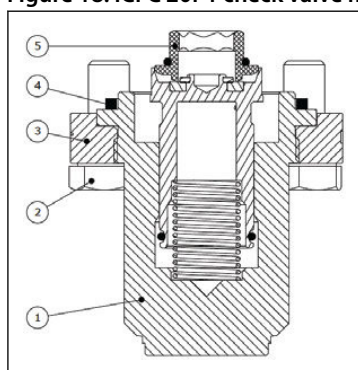


Table 43: ICFC 20P1 check valve module

| Pos. | Part | Material | EN ⁽¹⁾ | ASTM ⁽²⁾ | JIS ⁽²⁾ |
|------|---------------------------|----------------------------|--|---------------------|--------------------|
| 1 | Bonnet | Steel | S235JRG2 | A283 | G3101 |
| 2 | Hex-head bolt M10 × 25 | Stainless steel | A2-70 EN 24017 | A320 | A2-70 |
| 3 | Flange | Cast steel low temperature | G20Mn5QT, 10213-3 P285QH+QT, 10222-4 P275NL, 10028-3 | A352 | AG5152 |
| 4 | Gasket | Chloroprene (Neoprene) | | | |
| 5 | High density polymer | | | | |

ICFN 20 stop & check valve module

Figure 19: ICFN 20 stop & check valve module

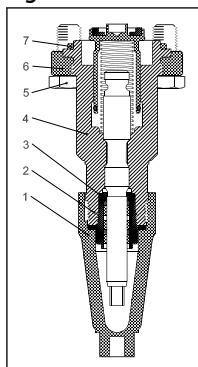


Table 44: ICFN 20 stop & check valve module

| Pos. | Part | Material | EN ⁽¹⁾ | ASTM ⁽²⁾ | JIS ⁽²⁾ |
|------|---------------------------|----------------------------|--|---------------------|--------------------|
| 1 | Spindle | Stainless steel | X8CrNiS 18-9 EN 10088 | | G4303 G4304 |
| 2 | Thread part | Stainless steel | X8CrNiS 18-9 EN 10088 | | G4303 G4304 |
| 3 | AL-gasket | | AL99 alloy no. 1200 DIN 1712 BL.3 | | |
| 4 | Bonnet | Steel | S235JRG2 EN 10025 | A283 | G3101 |
| 5 | Hex-head bolt M10 × 25 | Stainless steel | A2-70 EN 24017 | A320 | A2-70 |
| 6 | Flange | Cast steel low temperature | G20Mn5QT, 10213-3 P285QH+QT, 10222-4 P275NL, 10028-3 | A352 | G5152 |
| 7 | Gasket | Chloroprene (Neoprene) | | | |

ICM 20-A, 20-B or 20-C motor operated valve module

Figure 20: ICM 20-A, 20-B or 20-C motor operated valve module

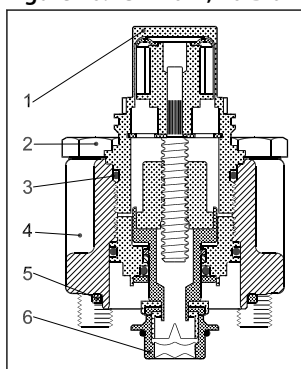


Table 45: ICM 20-A, 20-B or 20-C motor operated valve module

| Pos. | Part | Material | EN ⁽¹⁾ | ASTM ⁽²⁾ | JIS ⁽²⁾ |
|------|-------------|----------------------------|--------------------------|---------------------|--------------------|
| 1 | Spindle | Stainless steel | X8CrNiS 18-9 EN 10088 | A240 | G4303 G4304 |
| 2 | Thread part | Stainless steel | A2-70 EN 2401 | A320 | A2-70 |
| 3 | AL-gasket | Chloroprene | | | |
| 4 | Bonnet | Cast steel low temperature | G20Mn5QT EN 10213-3 | A352 | G5152 |
| 5 | Gasket | Chloroprene (Neoprene) | | | |
| 6 | Seat | High density polymer | | | |

ICFD 20 / ICFD 20C defrost module

Figure 21: ICFD 20 / ICFD 20C defrost module

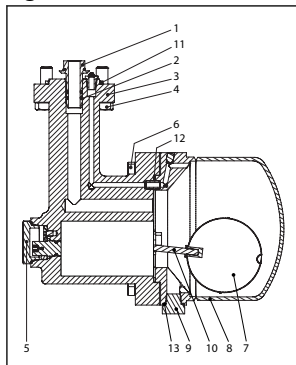


Table 46: ICFD 20 / ICFD 20C defrost module

| Pos. | Part | Material | EN ⁽¹⁾ | ASTM ⁽²⁾ | JIS ⁽²⁾ |
|------|------------------------|------------------------|---|---------------------|--------------------|
| 1 | Inlet connector | steel | S235JR EN 10025 - 2 | A283 | G3101 |
| 2 | O-ring Inlet connector | Chloroprene | | | |
| 3 | Valve Body | Cast Iron | EN -GJS- 400- 18-LT EN 1563 | | |
| 4 | Hex-head bolt M10x30 | Stainless Steel | A2-70 EN 24017 | A320 | A2-70 |
| 5 | Union nut | Stainless Steel | X8CrNiS18-9 EN 10088-3 | AISI303 | SUS303 |
| 6 | Hex-head bolt M10x35 | Stainless Steel | A2-70 EN 24017 | A320 | A2-70 |
| 7 | Float | Stainless Steel | ICFD 20 : AISI 316 ICFD 20C : AISI 304 | | |
| 8 | Float housing | Stainless Steel | S355J2+N EN 10025-2 | A572-50 | SM490YB |
| 9 | Drain plug 1/4" G | Steel | 11SMnPb30 EN 10087 | | |
| 10 | Float lever | Steel | S235JR EN 10025 - 2 | A283 | G3101 |
| 11 | Rubber Gasket | Chloroprene (Neoprene) | | | |
| 12 | Gasket | Fibre, Non Asbestos | | | |
| 13 | Gasket - Drain Plug | AL 99F11 | | | |

ICFB 20 blind top cover

Figure 22: ICFB 20 blind top cover

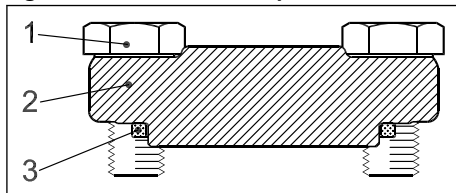


Table 47: ICFB 20 blind top cover

| Pos. | Part | Material | EN ⁽¹⁾ | ASTM ⁽²⁾ | JIS ⁽²⁾ |
|------|------------------------|---|--|---------------------|--------------------|
| 1 | Hex-head bolt M10 × 25 | Stainless Steel | A2-70 EN 24017 | A320 | A2-70 |
| 2 | Flange | Cast steel low temperature | G20Mn5QT, 10213-3 P285QH+QT, 10222-4 P275NL, 10028-3 | A352 | G5152 |
| 3 | Gasket | ICF 15-4, ICF 20-4/6 Chloro- prene (Neoprene) ICF 20-2: Fiber (Non-asbes- tos) | | | |

ICFW 20 welding module, 20 DIN or 3/4" SOC

Figure 23: ICFW 20 welding module, 20 DIN or 3/4" SOC

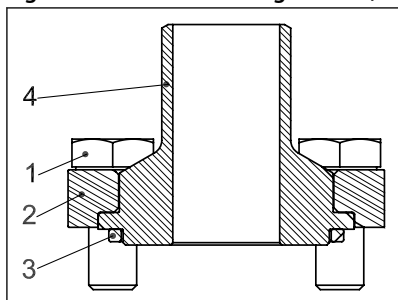


Table 48: ICFW 20 welding module, 20 DIN or 3/4" SOC

| Pos. | Part | Material | EN ⁽¹⁾ | ASTM ⁽²⁾ | JIS ⁽²⁾ |
|------|------------------------|----------------------------|--|---------------------|--------------------|
| 1 | Hex-head bolt M10 × 25 | Stainless Steel | A2-70 EN 24017 | A320 | A2-70 |
| 2 | Flange | Cast steel low temperature | G20Mn5QT, 10213-3 P285QH+QT, 10222-4 P275NL, 10028-3 | A352 | G5152 |
| 3 | Gasket | Chloroprene (Neoprene) | | | |
| 4 | Weld connection | | | | |

ICFS 25 shut-off valve module

Figure 24: ICFS 25 shut-off valve module

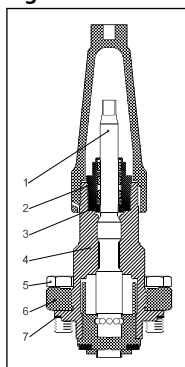


Table 49: ICFS 25 shut-off valve module

| Pos. | Part | Material | EN ⁽¹⁾ | ASTM ⁽²⁾ | JIS ⁽²⁾ |
|------|------------------------|----------------------------|--|---------------------|--------------------|
| 1 | Spindle | Stainless steel | X8CrNiS 18-9 EN 10088 | | G4303 G4304 |
| 2 | Thread part | Stainless steel | X8CrNiS18-9 EN 10088 | | G4303 G4304 |
| 3 | O-ring | Chloroprene | | | |
| 4 | Bonnet | Steel | S355J2+N 1.0570 / 1.0577 EN 10025-2 | ASTM A572-50 | |
| 5 | Hex-head bolt M12 × 30 | Stainless steel | A2-70 EN 24017 | A320 | A2-70 |
| 6 | Flange | Cast steel low temperature | G20Mn5QT, 10213-3 P285QH+QT, 10222-4 P275NL, 10028-3 | A352 | G5152 |
| 7 | Gasket | Fiber non asbestos | | | |

ICFF 25 strainer module

Figure 25: ICFF 25 strainer module

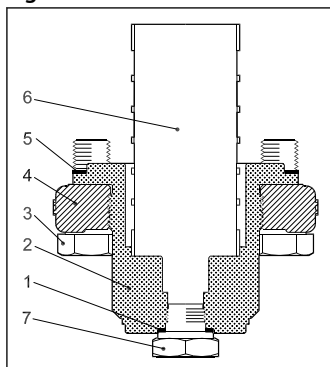


Table 50: ICFFS 25 shut-off valve module

| Pos. | Part | Material | EN ⁽¹⁾ | ASTM ⁽²⁾ | JIS ⁽²⁾ |
|------|---|----------------------------|--|---------------------|--------------------|
| 1 | Al. Gasket | AL 99 F11 | | | |
| 2 | Bonnet | Steel | S355J2+N 1.0570 / 1.0577 EN 10025-2 | ASTM A572-50 | |
| 3 | Hex-head bolt M12 × 30 | Stainless steel | A2-70 EN 24017 | A320 | A2-70 |
| 4 | Flange | Cast steel low temperature | G20Mn5QT, 10213-3 P285QH+QT, 10222-4 P275NL, 10028-3 | A352 | G5152 |
| 5 | Gasket | Fiber non asbestos | | | |
| 6 | Strainer element | Stainless steel 150μ | 1.4301 | A304 | SUS304 |
| 7 | Plug 1/4" RG for butt-weld 3/8" NPT for socket weld | Stainless steel | A2-70 EN 24017 | A320 | A2-70 |

ICFF 25E extended strainer module

Figure 26:

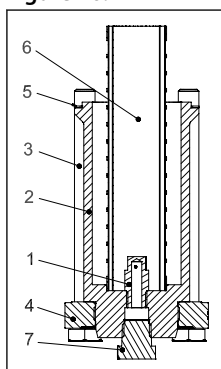


Table 51: ICFF 25E extended strainer module

| Pos. | Part | Material | EN ⁽¹⁾ | ASTM ⁽²⁾ | JIS ⁽²⁾ |
|------|-----------------------|-----------------|--|--------------------------|-------------------------------|
| 1 | Dirt protection plug | Steel | | Grade 1213 A29 | G4804 |
| 2 | Bonnet | Steel | S355J2+N 1.0570 / 1.0577 EN 10025-2 | ASTM A572-50 | |
| 3 | Hex-head bolt M12x140 | Stainless steel | A2-70 EN 1515-1 | Grade B8 A320 | A2-70 B1054 |
| 4 | Flange | Steel | G20Mn5QT, 10213-3 P285QH+QT, 10222-4 P275NL, 10028-3 | LF2 - A350 LCC - A352 | SFL2 - G3205 SCPL1 - G5152 |

Valve station, type ICF 15, ICF 20, ICF 25, ICF 50 and ICF 65

| Pos. | Part | Material | EN ⁽¹⁾ | ASTM ⁽²⁾ | JIS ⁽²⁾ |
|------|------------------|----------------------|---------------------|---------------------|--------------------|
| 5 | Gasket | Fiber non asbestos | | | |
| 6 | Strainer element | Stainless steel 250m | 1.4301 | A304 | SUS304 |
| 7 | Plug 3/8" NPT | Steel | 11SMn30 EN 10087 | Grade 1213 A29 | A29 |

ICFE 25 solenoid valve module

Figure 27: ICFE 25 solenoid valve module

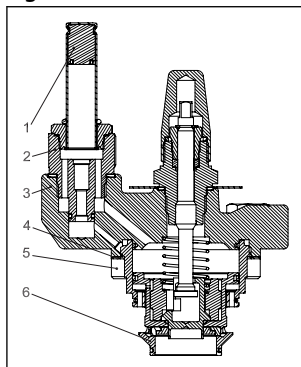


Table 52: ICFE 25 solenoid valve module

| Pos. | Part | Material | EN ⁽¹⁾ | ASTM ⁽²⁾ | JIS ⁽²⁾ |
|------|------------------------|----------------------------|---|---------------------|--------------------|
| 1 | Armature tube | Stainless steel | X2CrNi19-11 EN 10088 | | |
| 2 | Armature tube nut | Stainless steel | X8CrNiS18-9 EN 10088 | | |
| 3 | Bonnet | Cast steel low temperature | G20Mn5QT, 10213-3 P285QH+QT, 10222-4 | A352 | G5152 |
| 4 | Gasket | Fiber non asbestos | | | |
| 5 | Hex-Head bolt M10 x 25 | Stainless steel | A2-70 EN 24017 | A320 | A2-70 |
| 6 | Seat | High density polymer | | | |

ICFR 25 manual regulating valve module, A or B

Figure 28: ICFR 25 manual regulating valve module, A or B

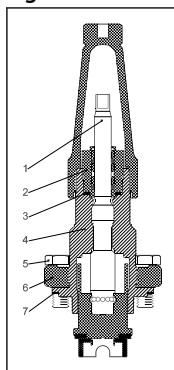


Table 53: ICFR 25 manual regulating valve module, A or B

| Pos. | Part | Material | EN ⁽¹⁾ | ASTM ⁽²⁾ | JIS ⁽²⁾ |
|------|------------------------|-----------------|--|---------------------|--------------------|
| 1 | Spindle | Stainless steel | X8CrNiS 18-9 EN 10088 | G4303 G4304 | |
| 2 | Thread part | Stainless steel | X8CrNiS 18-9 EN 10088 | G4303 G4304 | |
| 3 | O-ring | Chloroprene | | | |
| 4 | Bonnet | Steel | S355J2+N 1.0570 / 1.0577 EN 10025-2 | ASTM A572-50 | |
| 5 | Hex-head bolt M12 x 30 | Stainless steel | A2-70 EN 24017 | A320 | A2-70 |

Valve station, type ICF 15, ICF 20, ICF 25, ICF 50 and ICF 65

| Pos. | Part | Material | EN ⁽¹⁾ | ASTM ⁽²⁾ | JIS ⁽²⁾ |
|------|--------|----------------------------|--|---------------------|--------------------|
| 6 | Flange | Cast steel low temperature | G20Mn5QT, 10213-3 P285QH+QT, 10222-4 P275NL, 10028-3 | A352 | G5152 |
| 7 | Gasket | Fiber non asbestos | | | |
| 8 | Seat | High density polymer | | | |

ICFC 25 check valve module

Figure 29: ICFC 25 check valve module

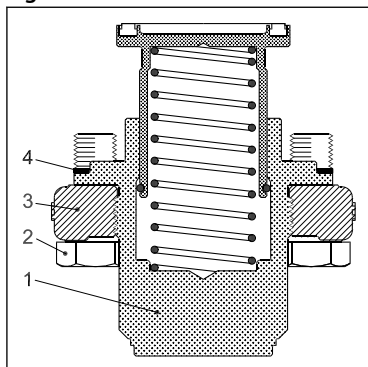


Table 54: ICFC 25 check valve module

| Pos. | Part | Material | EN ⁽¹⁾ | ASTM ⁽²⁾ | JIS ⁽²⁾ |
|------|------------------------|----------------------------|--|---------------------|--------------------|
| 1 | Bonnet | Steel | S355J2+N 1.0570 / 1.0577 EN 10025-2 | ASTM A572-50 | |
| 2 | Hex-head bolt M12 × 30 | Stainless steel | A2-70 EN 24017 | A320 | A2-70 |
| 3 | Flange | Cast steel low temperature | G20Mn5QT, 10213-3 P285QH+QT, 10222-4 P275NL, 10028-3 | A352 | AG5152 |
| 4 | Gasket | Fiber non asbestos | | | |

ICFN 25 stop & check valve module

Figure 30: ICFN 25 stop & check valve module

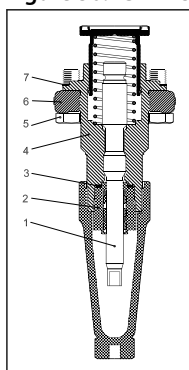


Table 55: ICFN 25 stop & check valve module

| Pos. | Part | Material | EN ⁽¹⁾ | ASTM ⁽²⁾ | JIS ⁽²⁾ |
|------|-------------|-----------------|--|---------------------|--------------------|
| 1 | Spindle | Stainless steel | X8CrNiS 18-9 EN 10088 | | G4303 G4304 |
| 2 | Thread part | Stainless steel | X8CrNiS 18-9 EN 10088 | | G4303 G4304 |
| 3 | O-ring | Chloroprene | | | |
| 4 | Bonnet | Steel | S355J2+N 1.0570 / 1.0577 EN 10025-2 | ASTM A572-50 | |

Valve station, type ICF 15, ICF 20, ICF 25, ICF 50 and ICF 65

| Pos. | Part | Material | EN ⁽¹⁾ | ASTM ⁽²⁾ | JIS ⁽²⁾ |
|------|------------------------|----------------------------|--|---------------------|--------------------|
| 5 | Hex-head bolt M12 × 30 | Stainless steel | A2-70 EN 24017 | A320 | A2-70 |
| 6 | Flange | Cast steel low temperature | G20Mn5QT, 10213-3 P285QH+QT, 10222-4 P275NL, 10028-3 | A352 | G5152 |
| 7 | Gasket | Fiber non asbestos | | | |

ICM 25-A or B motor operated valve module

Figure 31: ICM 25-A or B motor operated valve module

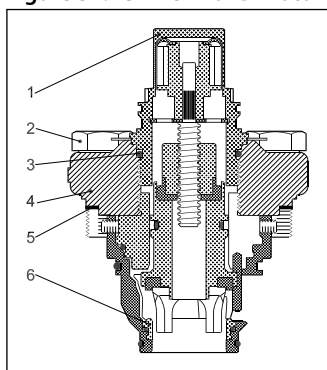


Table 56: ICM 25-A or B motor operated valve module

| Pos. | Part | Material | EN ⁽¹⁾ | ASTM ⁽²⁾ | JIS ⁽²⁾ |
|------|------------------------|----------------------------|-------------------------|---------------------|--------------------|
| 1 | Adapter | Stainless steel | X5CrNi18-10 EN 10088 | A240 | G4303 G4304 |
| 2 | Hex-head bolt M12 × 30 | Stainless steel | A2-70 EN 24014 | A320 | A2-70 |
| 3 | O-ring | Chloroprene | | | |
| 4 | Bonnet | Cast steel low temperature | G20Mn5QT EN 10213-3 | A352 | G5152 |
| 5 | Gasket | Fiber non asbestos | | | |
| 6 | Seat | High density polymer | | | |

ICFB 25 blind top cover

Figure 32: ICFB 25 blind top cover

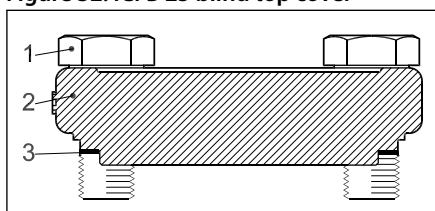


Table 57: ICFB 25 blind top cover

| Pos. | Part | Material | EN ⁽¹⁾ | ASTM ⁽²⁾ | JIS ⁽²⁾ |
|------|------------------------|----------------------------|---|---------------------|--------------------|
| 1 | Hex-head bolt M10 × 25 | Stainless Steel | A2-70 EN 24017 | A320 | A2-70 |
| 2 | Flange | Cast steel low temperature | G20Mn5QT, 10213-3 P285QH+QT, 10222-4 | A352 | G5152 |
| 3 | Gasket | Fiber non asbestos | | | |

ICFW 25 welding module, 25 DIN or 25 (1") SOC

Figure 33: ICFW 25 welding module, 25 DIN or 25 (1") SOC

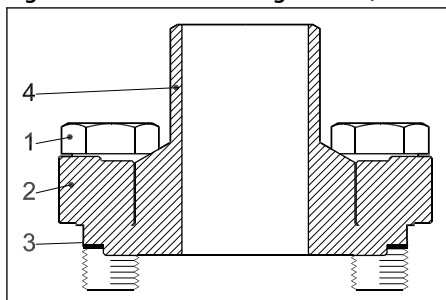
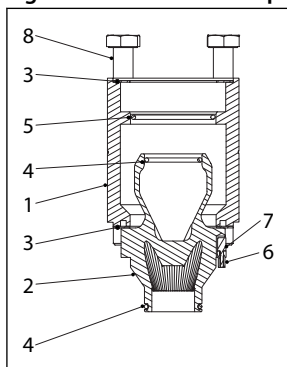


Table 58: ICFW 25 welding module, 25 DIN or 25 (1") SOC

| Pos. | Part | Material | EN ⁽¹⁾ | ASTM ⁽²⁾ | JIS ⁽²⁾ |
|------|------------------------|----------------------------|---|---------------------|--------------------|
| 1 | Hex-head bolt M10 × 25 | Stainless Steel | A2-70 EN 24017 | A320 | A2-70 |
| 2 | Flange | Cast steel low temperature | G20Mn5QT, 10213-3 P285QH+QT, 10222-4 | A352 | G5152 |
| 3 | Gasket | Fiber non asbestos | | | |
| 4 | Weld connection | Steel | S355J2+N EN 10025-2 | A572-50 | G3106 SM49 |

ICFG 25 Pilot-operated valve module

Figure 34: ICFG 25 Pilot-operated valve module



NOTE:

Operates only together with an ICS insert, top cover and a pilot. See [Figure 55](#), See [Figure 56](#) and [Spare parts and accessories](#).

Table 59: ICFG 25 Pilot-operated valve module

| Pos. | Part | Material | EN ⁽¹⁾ | ASTM ⁽²⁾ | JIS ⁽²⁾ |
|------|----------------|--------------------|--|---------------------|---------------------|
| 1 | Flow turn BLOC | Stainless Steel | X5CrNi18-10 EN 10272 | AISI 304 | JIS G4303 SUS304 |
| 2 | Flow turn tube | Aluminum | AlMgSiBi AW-6026 T6 DIN EN 573-3 | | |
| 3 | Gasket | Fiber non asbestos | | | |
| 4 | O-ring | Chloroprene | | | |
| 5 | O-ring | Chloroprene | | | |
| 6 | PTFE insert | PTFE | | | |
| 7 | Metal plug | Stainless steel | X5CrNi18-10 EN 10272 | AISI 304 | JIS G4303 SUS304 |
| 8 | Bolts | Stainless steel | A2-70 | | |

SVA-S 50 / SVA-S 65 shut-off valve module

Figure 35: SVA-S 50 / SVA-S 65 shut-off valve module

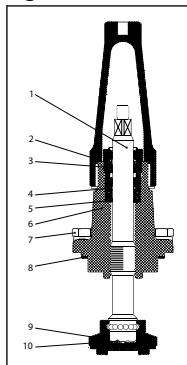


Table 60: SVA-S 50 / SVA-S 65 shut-off valve module

| Pos. | Part | Material | EN ⁽¹⁾ | ASTM ⁽²⁾ |
|------|---------------------------|---------------------|-----------------------|---------------------|
| 1 | Spindle | Stainless steel | X8CrNiS18-9 10088 | AISI 303 |
| 2 | Gasket for cap | Nylon | | |
| 3 | Packing gland | Stainless steel | X8CrNiS18-9 10088 | AISI 303 |
| 4 | Spring loaded Teflon ring | PTFE | | |
| 5 | Packing washer | Aluminium | | |
| 6 | Bonnet | Steel | P285QH+QT, EN 10222-4 | LF2, A350 |
| 7 | Bolts | Stainless steel | A2-70 | Type 308 |
| 8 | Gasket | Fiber, non asbestos | | |
| 9 | Cone | Steel | 11SMn30 10087 | AISI 1213 |
| 10 | Disk spring | Steel | | |

REG-SB 50 / REG-SB 65 manual regulating valve module

Figure 36: REG-SB 50 / REG-SB 65 manual regulating valve module

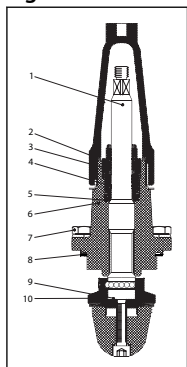


Table 61: REG-SB 50 / REG-SB 65 manual regulating valve module

| Pos. | Part | Material | EN ⁽¹⁾ | ASTM ⁽²⁾ |
|------|---------------------------|-----------------|-----------------------|---------------------|
| 1 | Spindle | Stainless steel | X8CrNiS 18-9 17440 | AISI 303 |
| 2 | Gasket for cap | Nylon | | |
| 3 | Packing gland | Stainless Steel | X8CrNiS 18-9 10088 | AISI 303 |
| 4 | Spring loaded Teflon ring | PTFE | | |
| 5 | Packing washer | Aluminium | | |
| 6 | Bonnet | Steel | P285QH+QT 10222-4 | LF2 A350 |
| 7 | Bolts | Stainless steel | A2-70 | Type 308 |

Valve station, type ICF 15, ICF 20, ICF 25, ICF 50 and ICF 65

| Pos. | Part | Material | EN ⁽¹⁾ | ASTM ⁽²⁾ |
|------|-------------|---------------------|-------------------|---------------------|
| 8 | Gasket | Fiber, non asbestos | | |
| 9 | Disk spring | Steel | | |
| 10 | Cone | Steel | | |

ICFB 50 blind top cover

Figure 37: ICFB 50 blind top cover

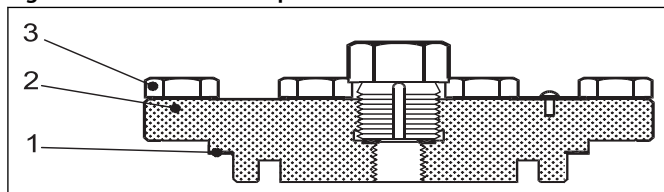


Table 62: ICFB 50 blind top cover

| Pos. | Part | Material | EN ⁽¹⁾ | ASTM ⁽²⁾ | JIS ⁽²⁾ |
|------|------------------------|----------------------------|---|---------------------|--------------------|
| 1 | Gasket | Fiber non asbestos | | | |
| 2 | Flange | Cast steel low temperature | G20Mn5QT, 10213-3 P285QH+QT, 10222-4 | A352 | G5152 |
| 3 | Hex-head bolt M10 × 25 | Stainless Steel | A2-70 EN 24017 | A320 | A2-70 |

ICS 50 / ICS 65 pilot-operated valve module

Figure 38: ICS 50 / ICS 65 pilot-operated valve module

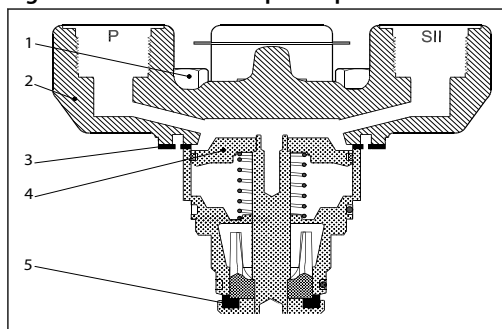


Table 63: ICS 50 / ICS 65 pilot-operated valve module

| Pos. | Part | Material | EN ⁽¹⁾ | ASTM ⁽²⁾ |
|------|-------------|-----------------------|---|----------------------|
| 1 | Bolts | Stainless steel | A2-70 EN 1515-1 | Grade B8 A320 |
| 2 | Bonnet | Low temperature steel | G20Mn5QT EN 10213-3 P285QH+QT EN 10222-4 | LCC A352 LF2 A350 |
| 3 | Gasket | Fiber, non-asbestos | | |
| 4 | Piston | Steel | | |
| 5 | Valve plate | PTFE | | |

ICM 50 / ICM 65 motor operated valve module

Figure 39: ICM 50 / ICM 65 motor operated valve module

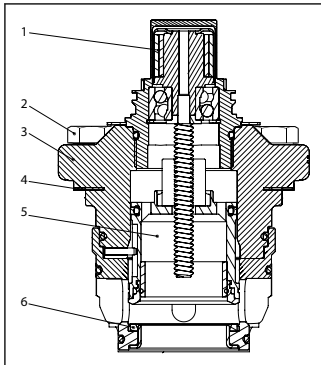


Table 64: ICM 50 / ICM 65 motor operated valve module

| Pos. | Part | Material | EN ⁽¹⁾ | ASTM ⁽²⁾ |
|------|-------------|-----------------------|-------------------------|---------------------|
| 1 | Adaptor | Stainless steel | X5CrNi18-10 EN 10088 | A240 |
| 2 | Bolts | Stainless steel | A2-70 EN 1515-1 | Grade B8 A320 |
| 3 | Bonnet | Low temperature steel | G20Mn5QT EN 10213-3 | LCC A352 |
| 4 | Gasket | Fiber, non-asbestos | | |
| 5 | Piston | Steel | | |
| 6 | Valve plate | PTFE | | |

ICLX 50 / ICLX 65 2-step solenoid valve module

Figure 40: ICLX 50 / ICLX 65 2-step solenoid valve module

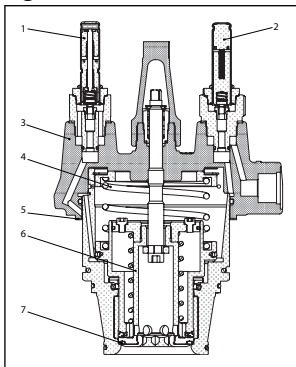


Table 65: ICLX 50 / ICLX 65 2-step solenoid valve module

| Pos. | Part | Material | EN ⁽¹⁾ | ASTM ⁽²⁾ |
|------|-----------------|-----------------------|----------------------|---------------------|
| 1 | EVM pilot NO | | | |
| 2 | EVM pilot NC | | | |
| 3 | Bonnet | Low temperature steel | P285QH EN 10222-4 | LF2 A350 |
| 4 | Spring | Stainless steel | | |
| 5 | Gasket | Fiber, non-asbestos | | |
| 6 | Main piston | Steel | | |
| 7 | Seat plate main | PTFE | | |

ICSH 50 / ICSH 65 2-step solenoid valve module

Figure 41: ICSH 50 / ICSH 65 2-step solenoid valve module

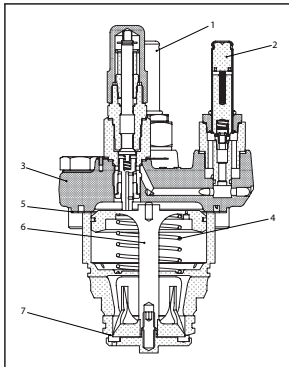


Table 66: ICSH 50 / ICSH 65 2-step solenoid valve module

| Pos. | Part | Material | EN ⁽¹⁾ | ASTM ⁽²⁾ |
|------|-----------------|-----------------------|----------------------|---------------------|
| 1 | EVM pilot NC | | | |
| 2 | EVM pilot NC | | | |
| 3 | Bonnet | Low temperature steel | P285QH EN 10222-4 | LF2 A350 |
| 4 | Spring | Stainless steel | | |
| 5 | Gasket | Fiber, non-asbestos | | |
| 6 | Main piston | Steel | | |
| 7 | Seat plate main | PTFE | | |

⁽¹⁾ Primary Design Standard

⁽²⁾ Equivalent Material Standard

Connections

There is a wide range of connection types and sizes available with ICF valve stations:

- **D**: Butt weld, DIN (EN 10220)
- **A**: Butt weld, ANSI (ASME B 36.10M SCHEDULE 80)
- **A**: Butt weld, ANSI (ASME B 36.19 SCHEDULE 40)
- **SOC**: Socket weld, ANSI (B 16.11)
- **SA**: Soldering/Brazing ASME (ASME B16.22/B16.50)
- **SD**: Soldering/Brazing DIN (DIN EN 1254-5)

Figure 42:

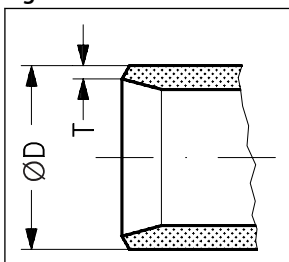


Table 67: D: Butt-weld DIN (EN 10220)

| Size | Size | ØD | T | ØD | T |
|------|------|------|-----|-------|-------|
| mm | in. | mm | mm | in. | in. |
| 15 | ½ | 21.3 | 1.3 | 0.839 | 0.052 |
| 20 | ¾ | 26.9 | 2.3 | 1.059 | 0.091 |
| 25 | 1 | 33.7 | 2.6 | 1.327 | 0.103 |
| 32 | 1 ¼ | 42.4 | 2.6 | 1.669 | 0.102 |
| 40 | 1 ½ | 48.3 | 2.6 | 1.902 | 0.103 |

Valve station, type ICF 15, ICF 20, ICF 25, ICF 50 and ICF 65

| Size | Size | ØD | T | ØD | T |
|------|------|------|-----|------|------|
| mm | in. | mm | mm | in. | in. |
| 50 | 2 | 60.3 | 2.9 | 2.37 | 0.11 |
| 65 | 2 ½ | 76.1 | 2.9 | 3 | 0.11 |
| 80 | 3 | 88.9 | 3.2 | 3.5 | 0.13 |

Figure 43:

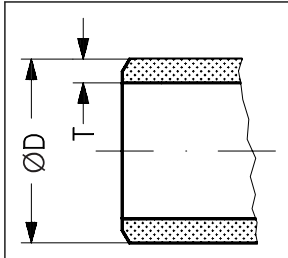


Table 68: A: Butt-weld ANSI (B 36.10), Butt weld ANSI (B 36.19)

| Size | Size | ØD | T | ØD | T | Schedule |
|------|------|------|-----|-------|-------|----------|
| mm | in. | mm | mm | in. | in. | |
| 15 | ½ | 21.3 | 2.7 | 0.839 | 0.105 | 80 |
| 20 | ¾ | 26.9 | 4 | 1.059 | 0.158 | 80 |
| 25 | 1 | 33.7 | 4.6 | 1.327 | 0.181 | 80 |
| 32 | 1 ¼ | 42.4 | 4.9 | 1.669 | 0.193 | 80 |
| 40 | 1 ½ | 48.3 | 5.1 | 1.902 | 0.201 | 80 |
| 65 | 2 ½ | 73 | 5.2 | 2.87 | 0.2 | 40 |
| 80 | 3 | 88.9 | 5.5 | 3.5 | 0.22 | 40 |

Figure 44:

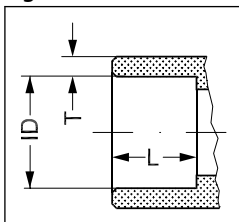


Table 69: SOC: Socket welding ANSI (B 16.11)

| Size | Size | ID | T | ID | T | L | L |
|------|------|------|-----|-------|-------|-------|------|
| mm | in. | mm | mm | in. | in. | mm | in. |
| 15 | ½ | 21.9 | 5.9 | 0.862 | 0.232 | 10.25 | 0.4 |
| 20 | ¾ | 27.2 | 4.6 | 1.071 | 0.181 | 13 | 0.51 |
| 25 | 1 | 33.9 | 7.2 | 1.335 | 0.284 | 13 | 0.51 |
| 32 | 1 ¼ | 42.7 | 6.1 | 1.743 | 0.24 | 13 | 0.51 |
| 40 | 1 ½ | 48.8 | 6.6 | 1.921 | 0.26 | 13 | 0.51 |
| 50 | 2 | 61.2 | 6.2 | 2.41 | 0.24 | 16 | 0.63 |

Figure 45:

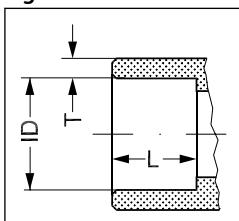


Table 70: SD: Soldering/Brazing (DIN EN 1254-5)

| Size | ID | L |
|------|-------|------|
| mm | mm | mm |
| 22 | 22.08 | 16.5 |

Figure 46:

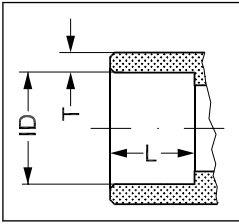


Table 71: SA: Soldering/Brazing (ASME B16.22/B16.50)

| Size | ID | L |
|------|-------|------|
| in. | in. | in. |
| 7/8 | 0.875 | 0.65 |

Figure 47:

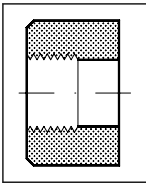


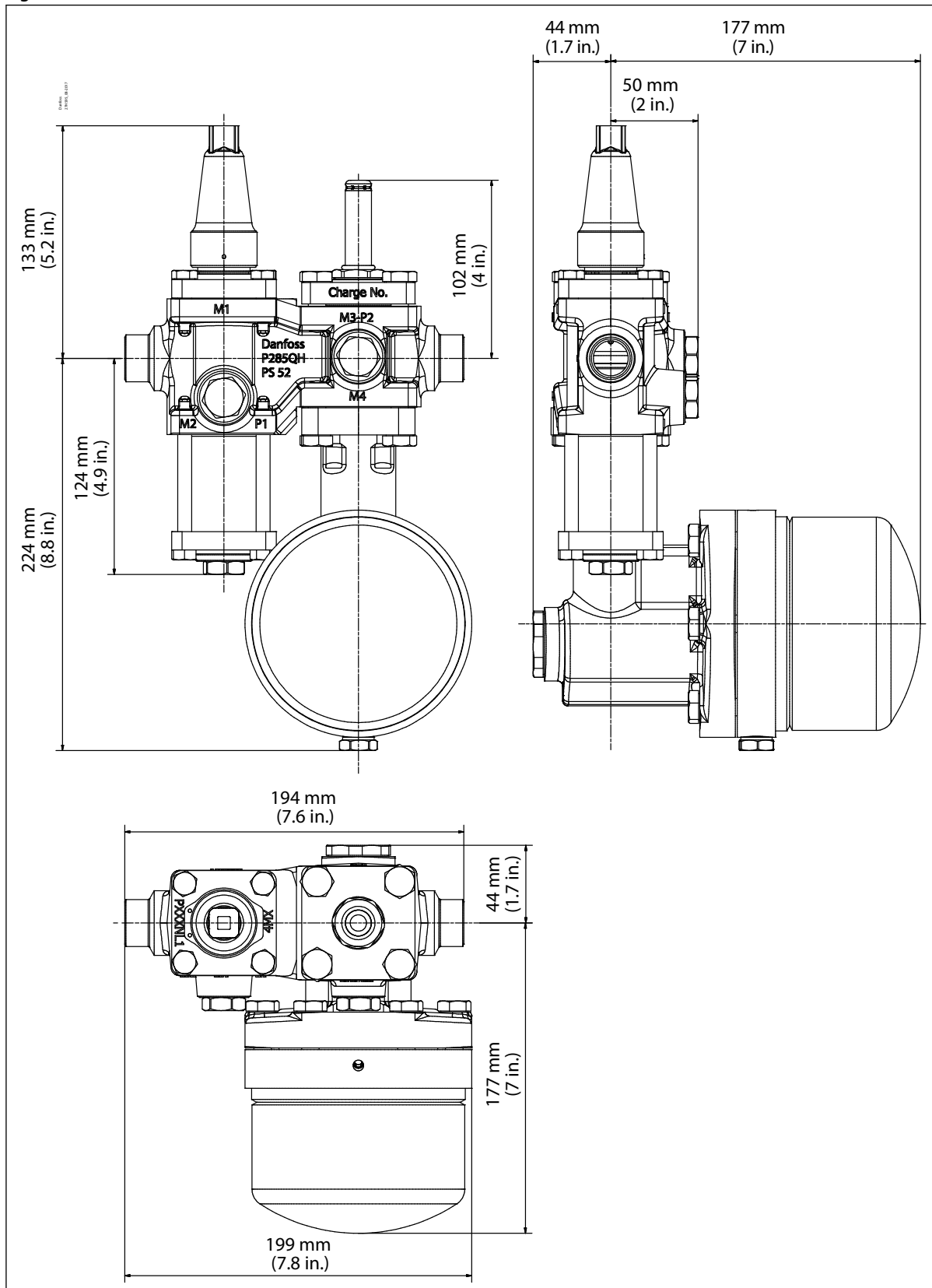
Table 72: FPT: Female pipe thread, (ANSI/ASME B 1.20.1)

| Size | Size | Inside pipe thread |
|------|------|--------------------|
| mm | in. | |
| 15 | 1/2 | (1/2 x 14 NPT) |

Dimensions and weights

ICF 15-4

Figure 48: ICF 15-4

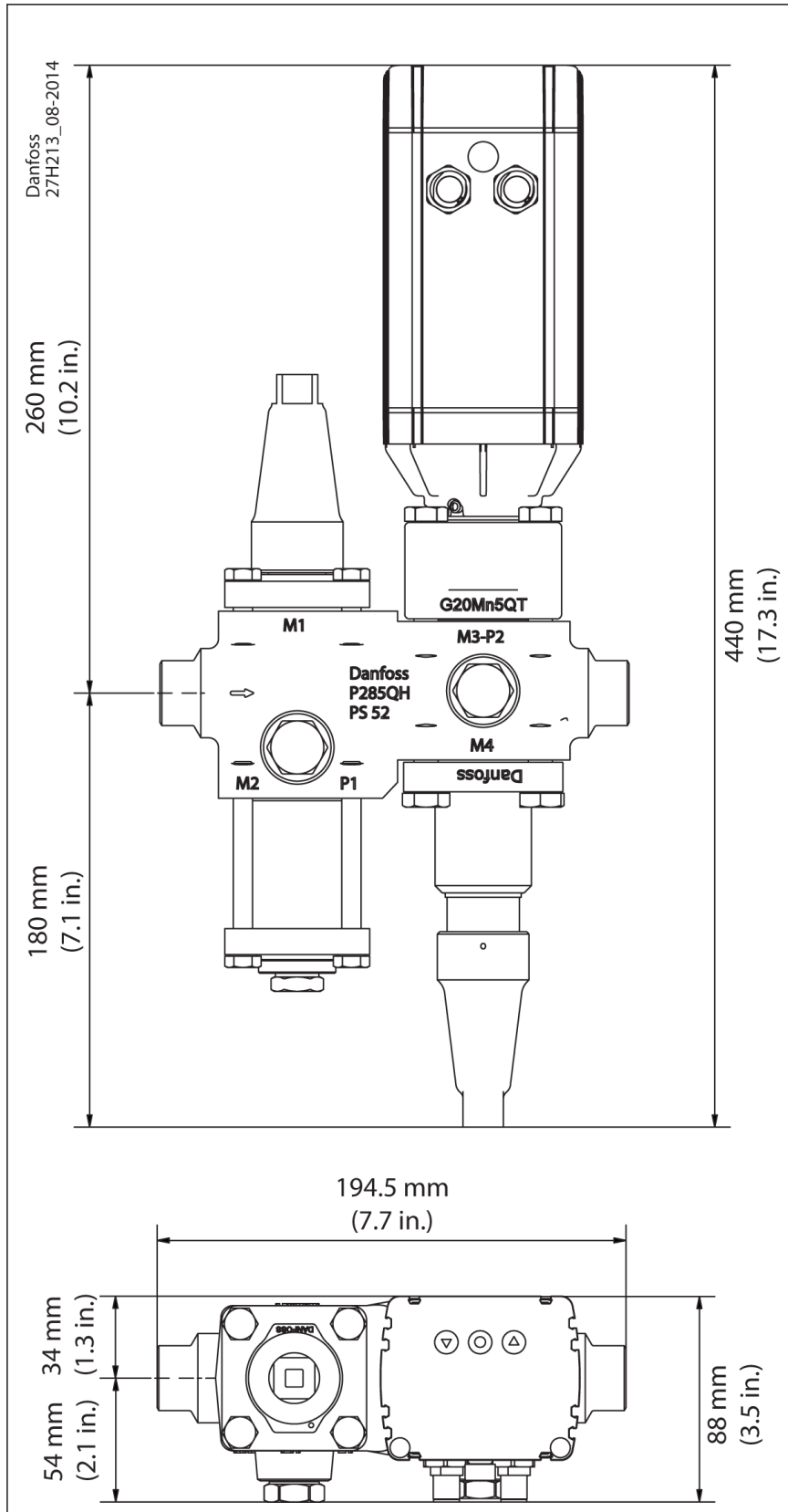


Valve station, type ICF 15, ICF 20, ICF 25, ICF 50 and ICF 65

NOTE:

This example indicates the maximum dimensions for the ICF valve stations.

Figure 49: ICF 15-4

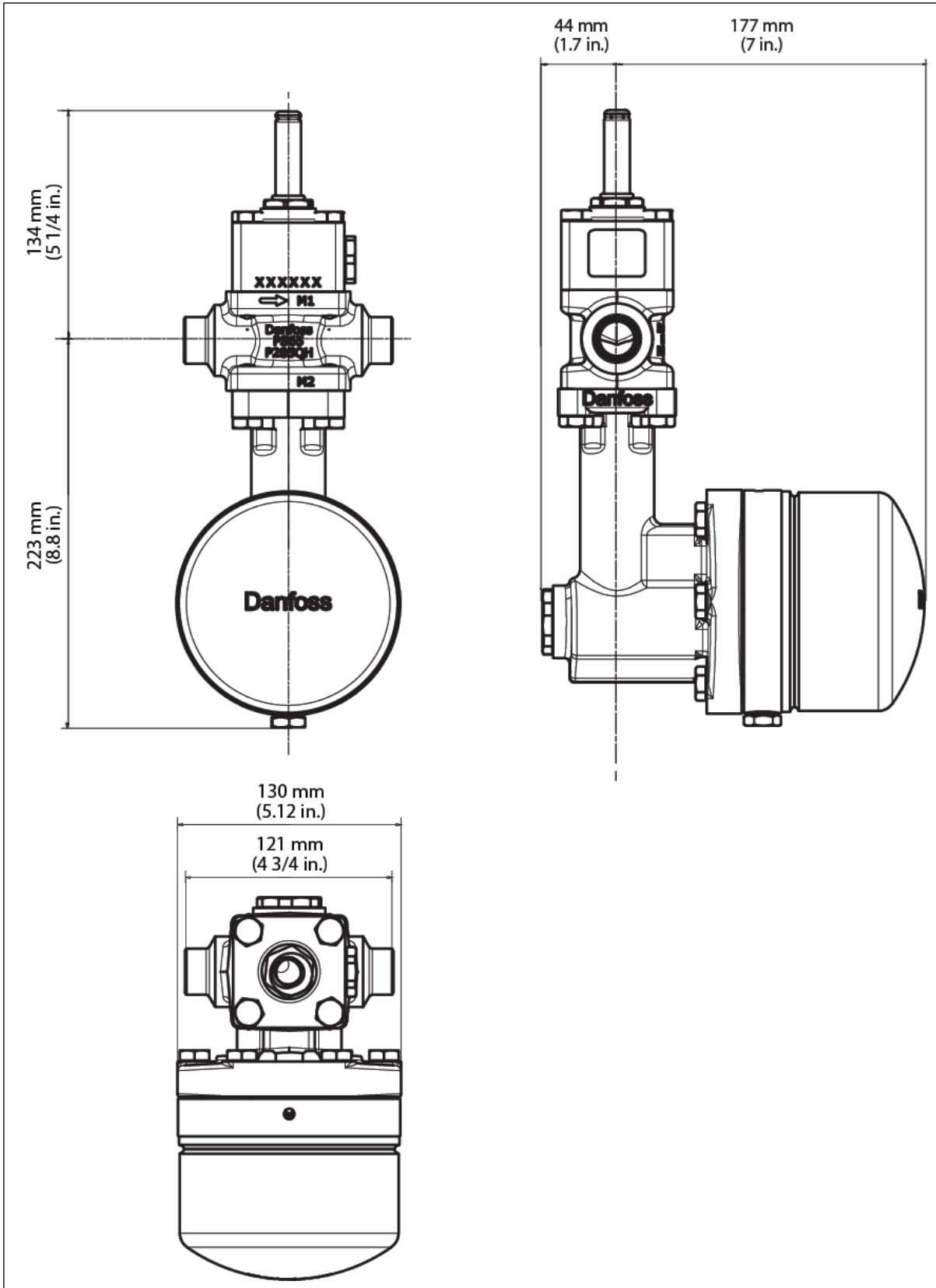


NOTE:

This example indicates the maximum dimensions for the ICF valve stations.

ICF 20-2

Figure 50: ICF 20-2

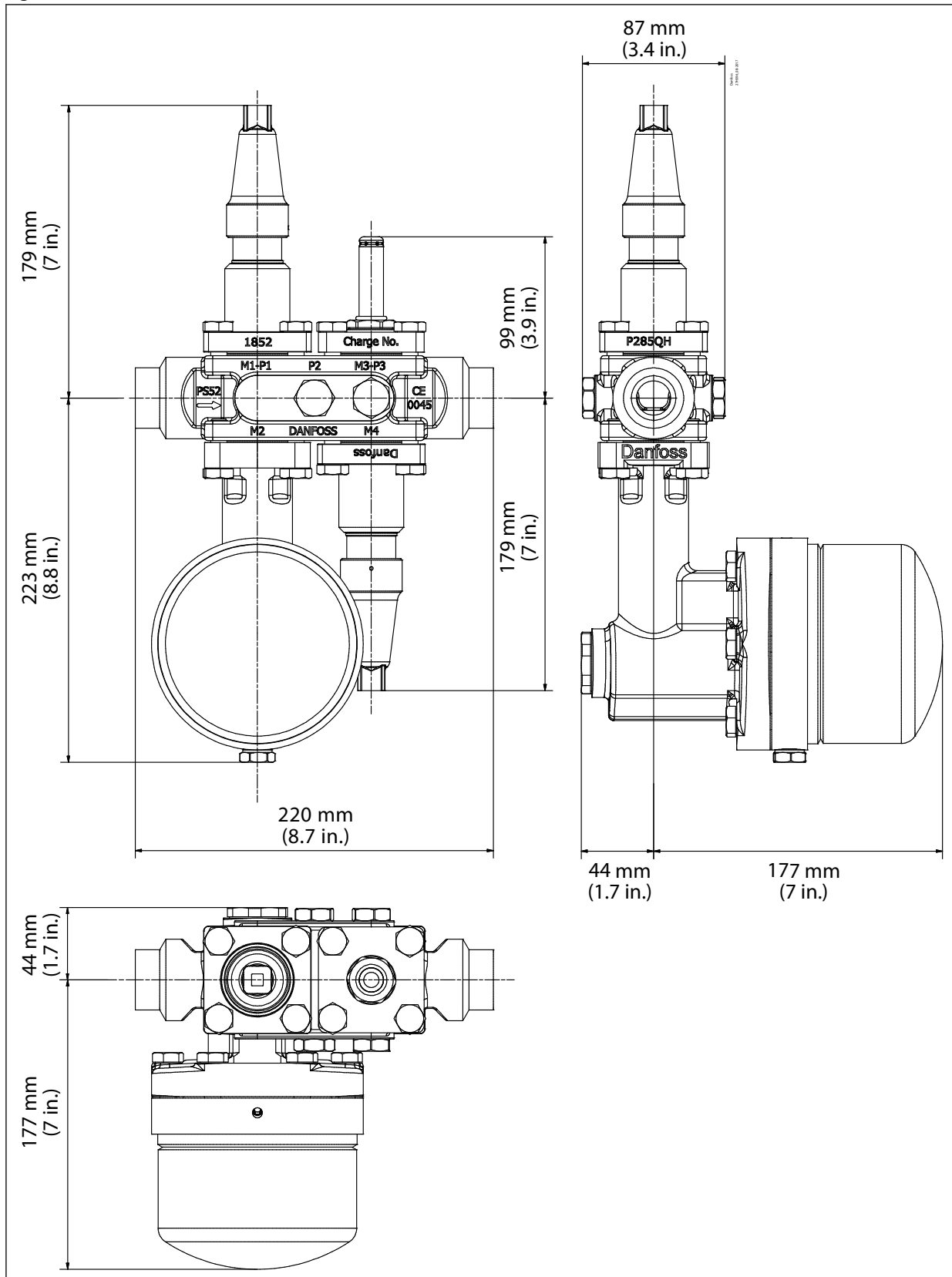


NOTE:

This example indicates the maximum dimensions for the ICF valve stations.

ICF 20-4

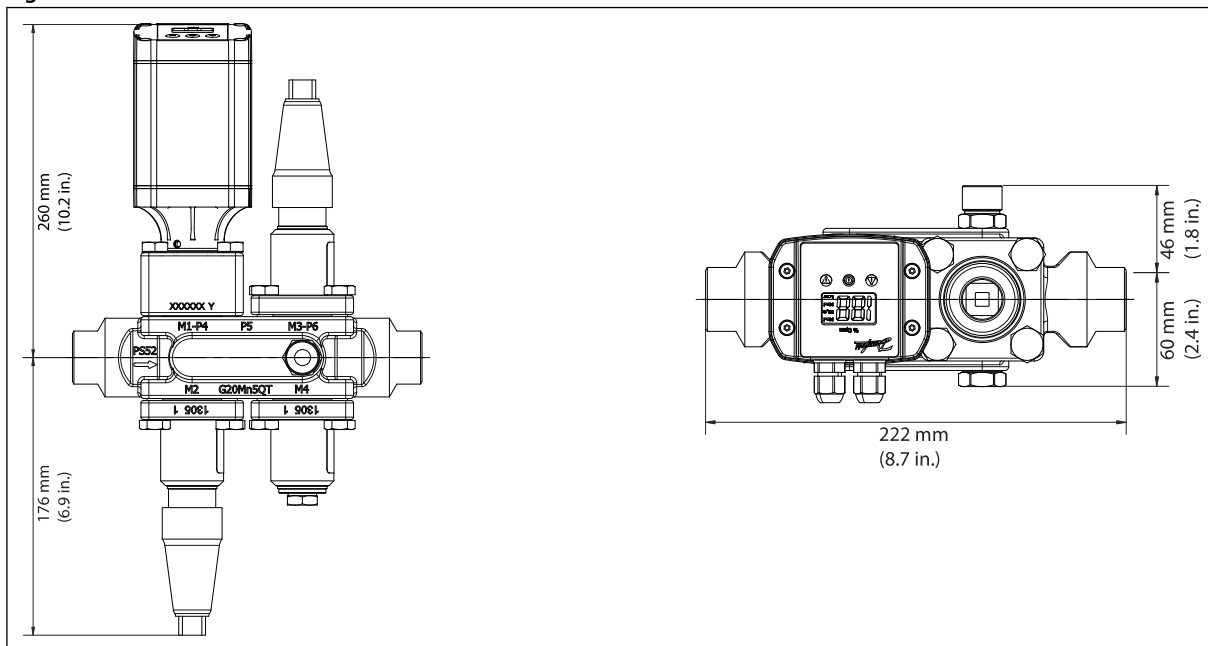
Figure 51: ICF 20-4



NOTE:

This example indicates the maximum dimensions for the ICF valve stations.

Figure 52: ICF 20-4

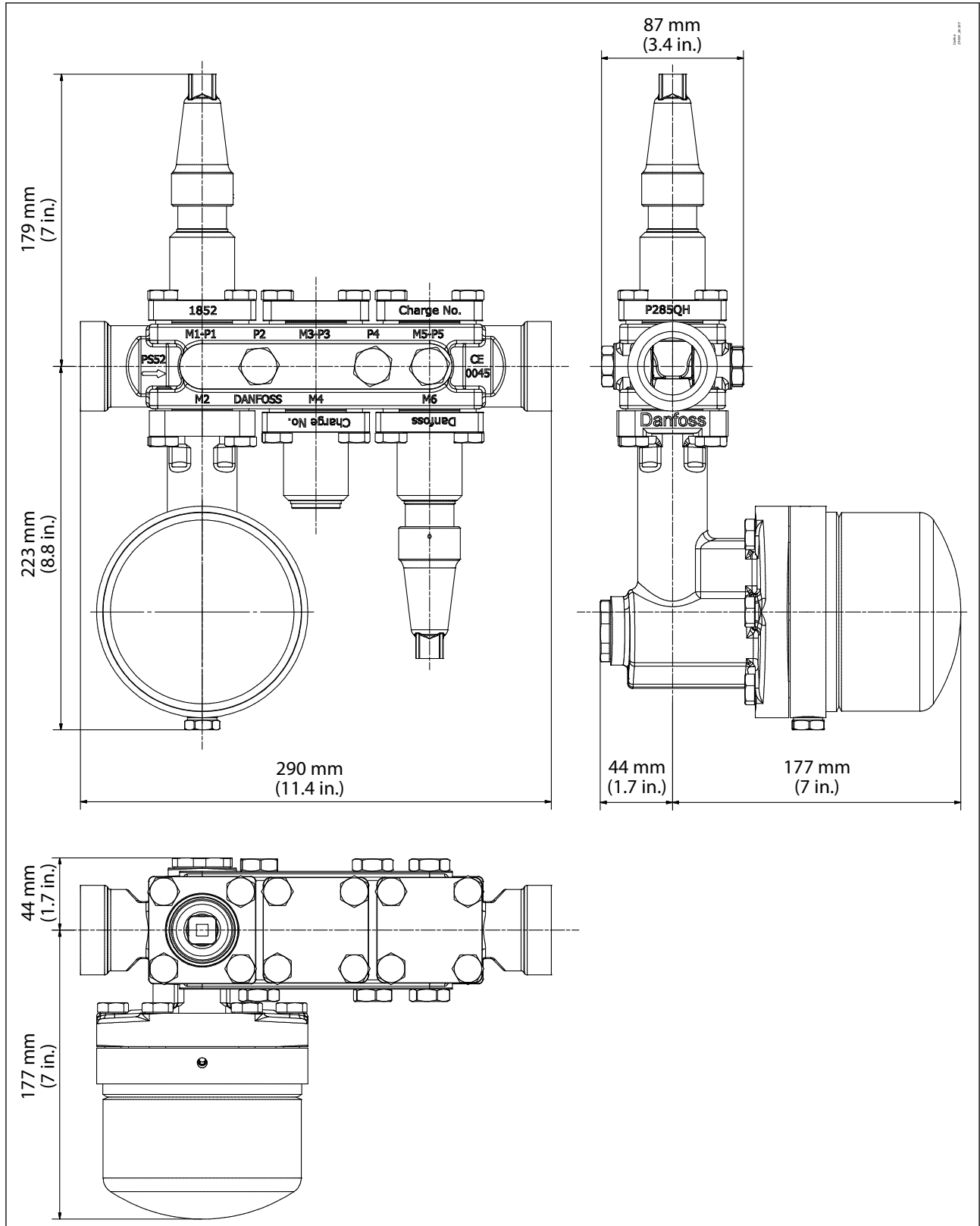


NOTE:

This example indicates the maximum dimensions for the ICF valve stations.

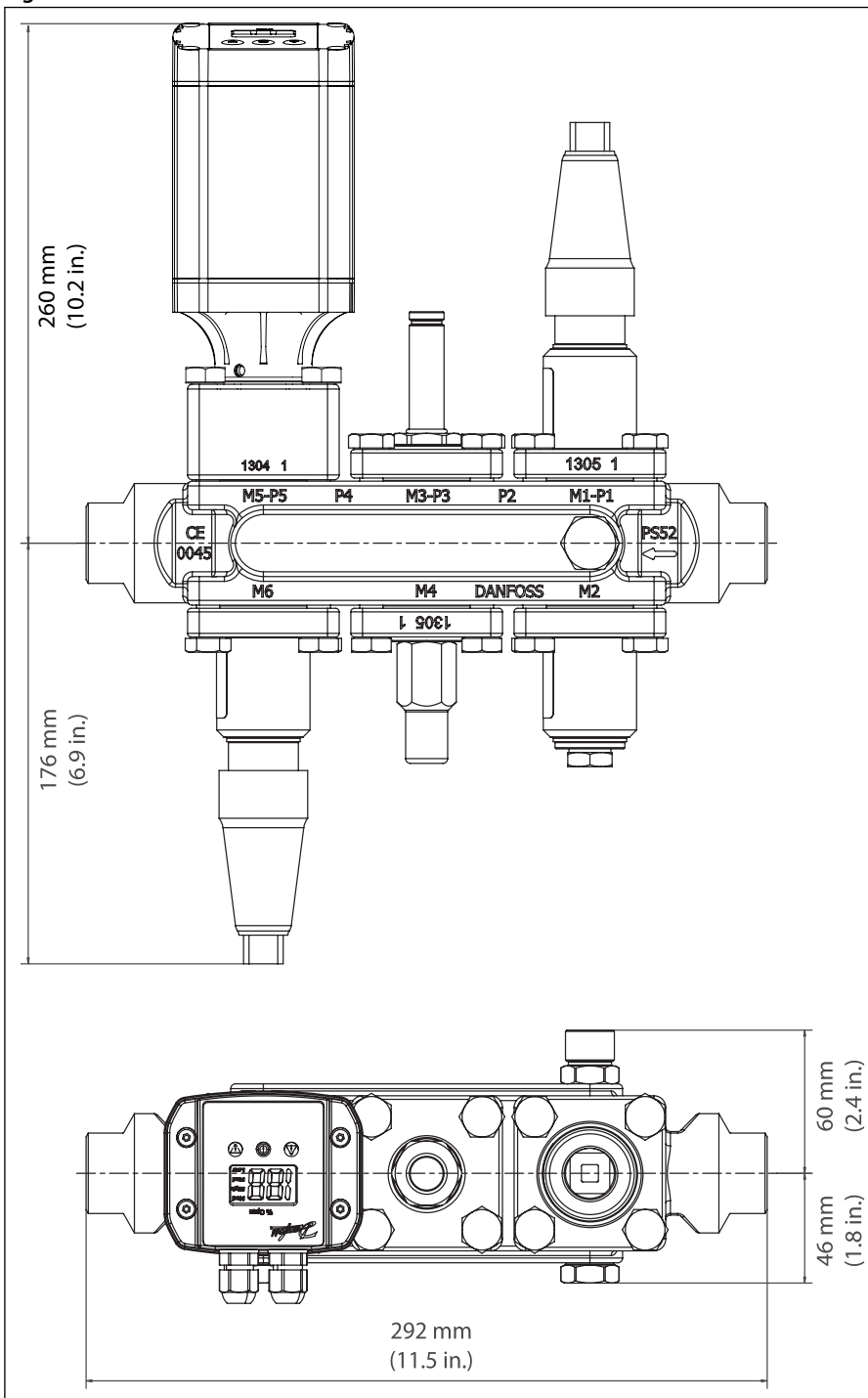
ICF 20-6

Figure 53: ICF 20-6



NOTE:
This example indicates the maximum dimensions for the ICF valve stations.

Figure 54: ICF 20-6

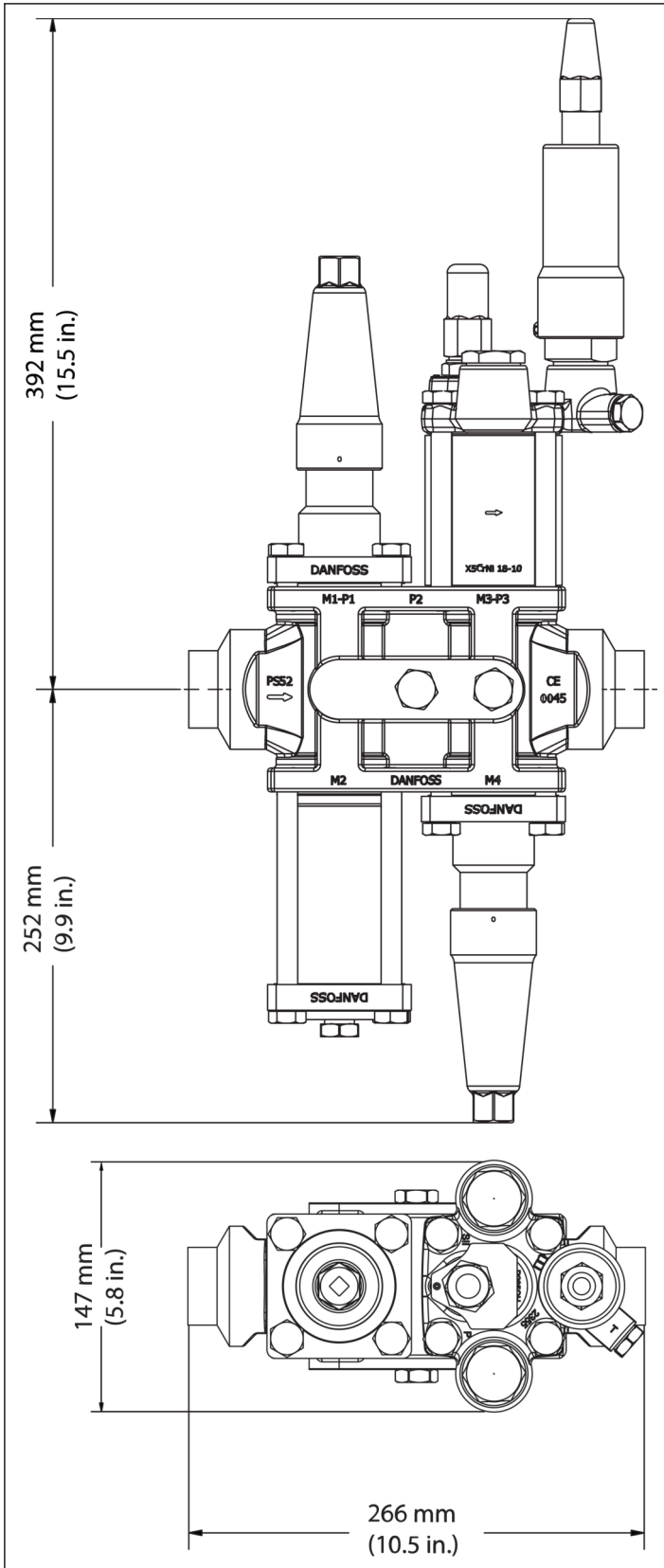


NOTE:

This example indicates the maximum dimensions for the ICF valve stations.

ICF 25-4

Figure 55: ICF 25-4

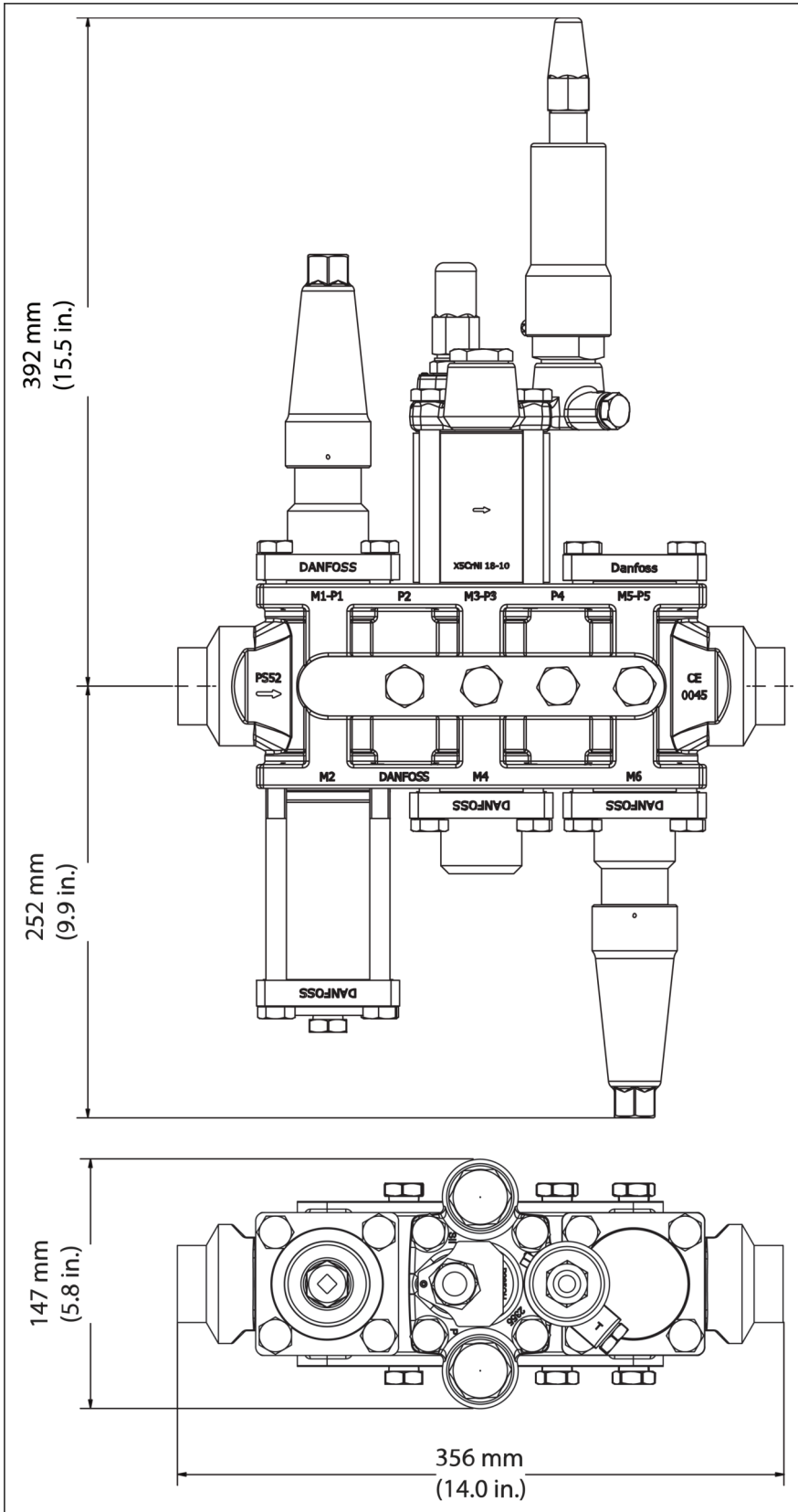


NOTE:

This example indicates the maximum dimensions for the ICF valve stations.

ICF 25-6

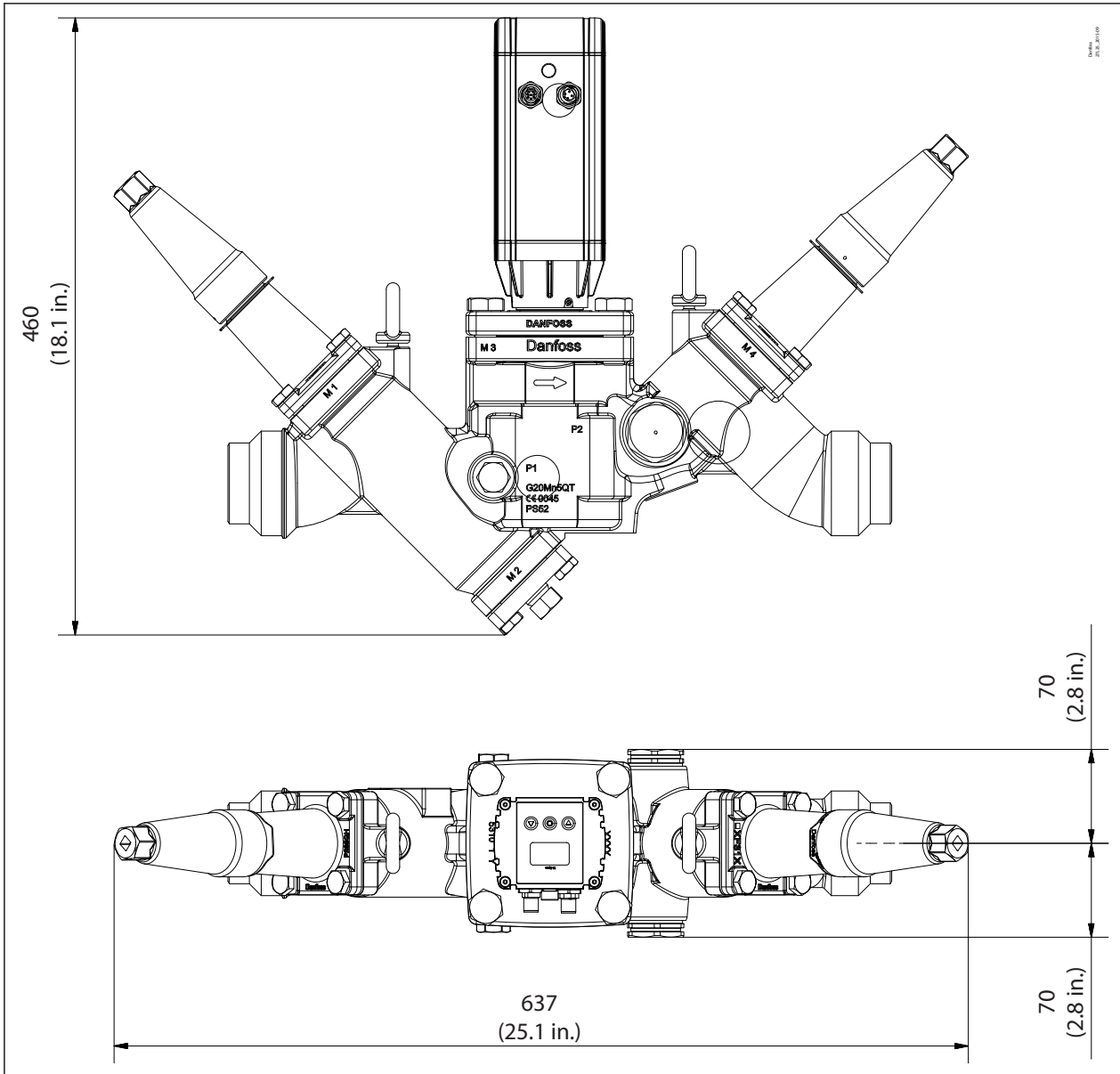
Figure 56: ICF 25-6



NOTE:
This example indicates the maximum dimensions for the ICF valve stations.

ICF 50-4

Figure 57: ICF 50-4

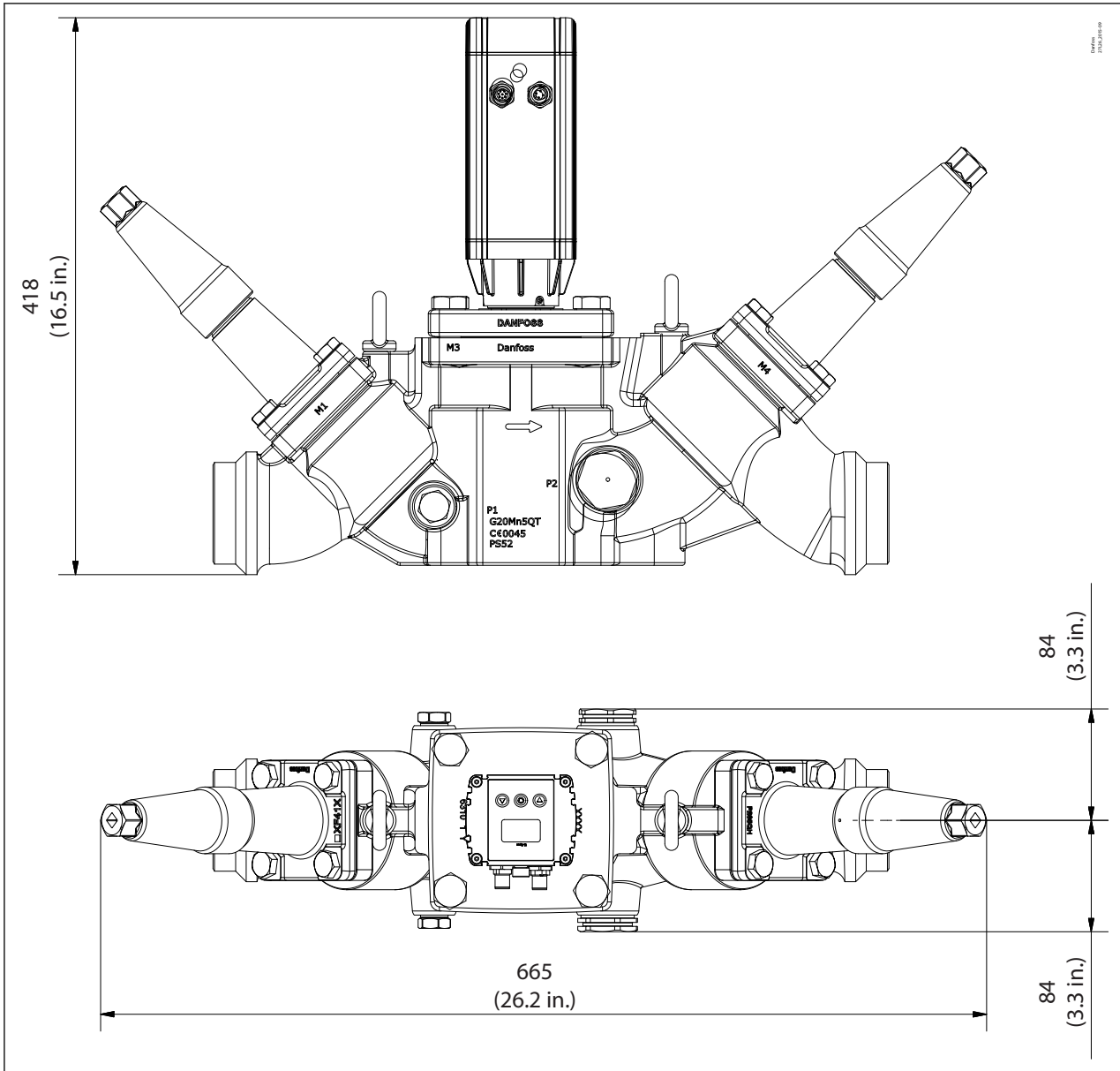


i NOTE:

This example indicates the maximum dimensions for the ICF valve stations.

ICF 65-3

Figure 58: ICF 65-3



NOTE:

This example indicates the maximum dimensions for the ICF valve stations.

Ordering

Code number selection

To determine the correct ICF valve station follow steps 1 through 5.

Step 1

Determine application and function requirements:

- Line: Pumped liquid, Liquid Injection, Hot gas defrost, Liquid DX, Return line etc.
- Control: On/off solenoid valve, motorised valve
- Defrost: Electric or hot gas

NOTE:

From the above determine the application reference number (see [Page 53](#))

Step 2

Selection criteria - (Please use Danfoss calculation software)

Download the software from: [Coolselector^{®2}](#)

- Refrigerant
- Capacity
- Temperature
- Circulation rate

NOTE:

From the above determine the valve station required, e.g.: ICF 20 complete with ICM 20-C

Step 3

Establish connection sizes and type

- DIN butt-weld, ANSI butt-weld or SOC weld
- 15 (½ in.), 20 (¾ in.), 25 (1 in.), 32 (1 ¼ in.) or , 40 (1½ in.), 50 (2 in.), 65 (2½ in.) or 80 (3 in.)

Step 4

Establish code number

NOTE:

(see [Page 53](#) to [Page 77](#))

Ordering ICF valve station

Below Nomenclature show the generic configuration and application by identification of housing size, type and application group.

This designation is often used for discussion on possible solutions and will be the final identification on the valve label (see label example)

Figure 59: Ordering ICF valve station

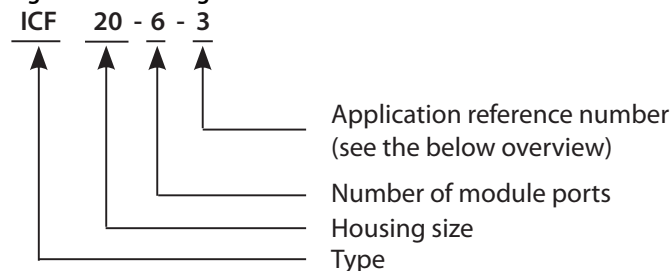


Figure 60: Label example



For ordering, connection size and type must be chosen to get the final identification. **The final identification is done by code number only** (see next pages)

NOTE:

Applicable for all sizes and configurations.

ICAD and coils are not included and must be ordered separately.

When used in systems with CO₂, the o-rings on the ICM module can swell (grow). At service, it is therefore recommended to install new o-rings, before the ICM function module is re-installed in the ICF.

Liquid feed

Table 73: Application 1: Liquid feed (no hot gas defrost)

| Type | # of modules | Appl. # | Connection size | | Connection type | Module location | | | | | | Weight | | Code number |
|--------|--------------|---------|-----------------|------|--------------------------|-----------------|---------|----------|---------|----------|---------|--------|------|-------------|
| | | | [in.] | [mm] | | M1 | M2 | M3 | M4 | M5 | M6 | kg | lbs | |
| ICF 20 | 6 | 1RA | 3/4 | 20 | Butt-weld ANSI (B 36.10) | ICFS 20 | ICFF 20 | ICFE 20 | ICFO 20 | ICFR 20A | ICFS 20 | 9.5 | 20.9 | 027L3004 |
| ICF 20 | 6 | 1RA | 1 | 25 | Butt-weld ANSI (B 36.10) | ICFS 20 | ICFF 20 | ICFE 20 | ICFO 20 | ICFR 20A | ICFS 20 | 10.1 | 22.2 | 027L3373 |
| ICF 25 | 6 | 1RB | 1 1/4 | 32 | Butt-weld ANSI (B 36.10) | ICFS 25 | ICFF 25 | ICFE 25 | ICFB 25 | ICFR 25B | ICFS 25 | 23.8 | 52.4 | 027L4012 |
| ICF 20 | 6 | 1RA | 3/4 | 20 | Butt-weld DIN-EN 10220 | ICFS 20 | ICFF 20 | ICFE 20 | ICFO 20 | ICFR 20A | ICFS 20 | 9.5 | 20.9 | 027L3000 |
| ICF 20 | 6 | 1RA | 1 | 25 | Butt-weld DIN-EN 10220 | ICFS 20 | ICFF 20 | ICFE 20 | ICFO 20 | ICFR 20A | ICFS 20 | 9.7 | 21.3 | 027L3002 |
| ICF 20 | 6 | 1HRB | 1 | 25 | Butt-weld DIN-EN 10220 | ICFS 20 | ICFF 20 | ICFE 20H | ICFB 20 | ICFR 20B | ICFS 20 | 10.3 | 22.7 | 027L3406 |
| ICF 25 | 6 | 1RA | 1 | 25 | Butt-weld DIN-EN 10220 | ICFS 25 | ICFF 25 | ICFE 25 | ICFB 25 | ICFR 25A | ICFS 25 | 23.6 | 51.9 | 027L4002 |
| ICF 20 | 6 | 1RA | 1 1/4 | 32 | Butt-weld DIN-EN 10220 | ICFS 20 | ICFF 20 | ICFE 20 | ICFO 20 | ICFR 20A | ICFS 20 | 9.7 | 21.3 | 027L3003 |
| ICF 20 | 6 | 1HRB | 1 1/4 | 32 | Butt-weld DIN-EN 10220 | ICFS 20 | ICFF 20 | ICFE 20H | ICFB 20 | ICFR 20B | ICFS 20 | 10.3 | 22.7 | 027L3407 |
| ICF 25 | 6 | 1RA | 1 1/4 | 32 | Butt-weld DIN-EN 10220 | ICFS 25 | ICFF 25 | ICFE 25 | ICFB 25 | ICFR 25A | ICFS 25 | 23.6 | 51.9 | 027L4006 |

Valve station, type ICF 15, ICF 20, ICF 25, ICF 50 and ICF 65

| Type | # of modules | Appl. # | Connection size | | Connection type | Module location | | | | | | Weight | | Code number |
|--------|--------------|---------|-----------------|------|-----------------------------|-----------------|----------|----------|---------|----------|---------|--------|------|-------------|
| | | | [in.] | [mm] | | M1 | M2 | M3 | M4 | M5 | M6 | kg | lbs | |
| ICF 25 | 6 | 1RB | 1¼ | 32 | Butt-weld DIN-EN 10220 | ICFS 25 | ICFF 25 | ICFE 25 | ICFB 25 | ICFR 25B | ICFS 25 | 23.6 | 51.9 | 027L4011 |
| ICF 25 | 6 | 1RB | 1½ | 40 | Butt-weld DIN-EN 10220 | ICFS 25 | ICFF 25 | ICFE 25 | ICFB 25 | ICFR 25B | ICFS 25 | 22.7 | 49.9 | 027L4016 |
| ICF 20 | 6 | 1RA | ¾ | 20 | Socket weld, ANSI (B 16.11) | ICFS 20 | ICFF 20 | ICFE 20 | ICFO 20 | ICFR 20A | ICFS 20 | 10.4 | 22.9 | 027L3005 |
| ICF 20 | 6 | 1RA | 1 | 25 | Socket weld, ANSI (B 16.11) | ICFS 20 | ICFF 20E | ICFE 20 | ICFO 20 | ICFR 20A | ICFS 20 | 9.9 | 21.8 | 027L3007 |
| ICF 20 | 6 | 1HRB | 1 | 25 | Socket weld, ANSI (B 16.11) | ICFS 20 | ICFF 20E | ICFE 20H | ICFB 20 | ICFR 20B | ICFS 20 | 10.9 | 24 | 027L3408 |
| ICF 25 | 6 | 1RA | 1 | 25 | Socket weld, ANSI (B 16.11) | ICFS 25 | ICFF 25E | ICFE 25 | ICFB 25 | ICFR 25A | ICFS 25 | 24.1 | 53 | 027L4003 |
| ICF 20 | 6 | 1RA | 1¼ | 32 | Socket weld, ANSI (B 16.11) | ICFS 20 | ICFF 20E | ICFE 20 | ICFO 20 | ICFR 20A | ICFS 20 | 10.1 | 22.2 | 027L3008 |
| ICF 20 | 6 | 1HRB | 1¼ | 32 | Socket weld, ANSI (B 16.11) | ICFS 20 | ICFF 20E | ICFE 20H | ICFB 20 | ICFR 20B | ICFS 20 | 10.9 | 24 | 027L3409 |
| ICF 25 | 6 | 1RA | 1¼ | 32 | Socket weld, ANSI (B 16.11) | ICFS 25 | ICFF 25E | ICFE 25 | ICFB 25 | ICFR 25A | ICFS 25 | 23.8 | 52.4 | 027L4008 |
| ICF 25 | 6 | 1RB | 1¼ | 32 | Socket weld, ANSI (B 16.11) | ICFS 25 | ICFF 25E | ICFE 25 | ICFB 25 | ICFR 25B | ICFS 25 | 24.2 | 53.2 | 027L4013 |
| ICF 25 | 6 | 1RB | 1½ | 40 | Socket weld, ANSI (B 16.11) | ICFS 25 | ICFF 25E | ICFE 25 | ICFB 25 | ICFR 25B | ICFS 25 | 23.8 | 52.4 | 027L4017 |

Table 74: Application 2: Liquid feed

| Type | # of modules | Appl. # | Connection size | | Connection type | Module location | | | | | | Weight | | Code number |
|--------|--------------|---------|-----------------|------|-----------------------------|-----------------|----------|----------|---------|----------|---------|--------|------|-------------|
| | | | [in.] | [mm] | | M1 | M2 | M3 | M4 | M5 | M6 | kg | lbs | |
| ICF 20 | 6 | 2RA | ¾ | 20 | Butt-weld ANSI (B 36.10) | ICFS 20 | ICFF 20 | ICFE 20 | ICFO 20 | ICFR 20A | ICFN 20 | 9.8 | 21.6 | 027L3013 |
| ICF 20 | 6 | 2RA | ¾ | 20 | Butt-weld DIN-EN 10220 | ICFS 20 | ICFF 20 | ICFE 20 | ICFO 20 | ICFR 20A | ICFN 20 | 9.7 | 21.3 | 027L3009 |
| ICF 20 | 6 | 2RB | ¾ | 20 | Butt-weld DIN-EN 10220 | ICFS 20 | ICFF 20 | ICFE 20 | ICFO 20 | ICFR 20B | ICFN 20 | 10.2 | 22.9 | 027L3398 |
| ICF 20 | 6 | 2RB | 1 | 25 | Butt-weld DIN-EN 10220 | ICFS 20 | ICFF 20 | ICFE 20 | ICFO 20 | ICFR 20B | ICFN 20 | 10.2 | 22.9 | 027L3422 |
| ICF 20 | 6 | 2RA | 1 | 25 | Butt-weld DIN-EN 10220 | ICFS 20 | ICFF 20 | ICFE 20 | ICFO 20 | ICFR 20A | ICFN 20 | 9.7 | 21.3 | 027L3011 |
| ICF 20 | 6 | 2HRB | 1 | 25 | Butt-weld DIN-EN 10220 | ICFS 20 | ICFF 20 | ICFE 20H | ICFB 20 | ICFR 20B | ICFN 20 | 9.2 | 20.2 | 027L3410 |
| ICF 20 | 6 | 2RA | 1¼ | 32 | Butt-weld DIN-EN 10220 | ICFS 20 | ICFF 20 | ICFE 20 | ICFO 20 | ICFR 20A | ICFN 20 | 9.7 | 21.3 | 027L3012 |
| ICF 20 | 6 | 2HRB | 1¼ | 32 | Butt-weld DIN-EN 10220 | ICFS 20 | ICFF 20 | ICFE 20H | ICFB 20 | ICFR 20B | ICFN 20 | 9.2 | 20.2 | 027L3411 |
| ICF 25 | 6 | 2RA | 1¼ | 32 | Butt-weld DIN-EN 10220 | ICFS 25 | ICFF 25 | ICFE 25 | ICFB 25 | ICFR 25A | ICFN 25 | 23.3 | 51.3 | 027L4135 |
| ICF 20 | 6 | 2RA | ¾ | 20 | Socket weld, ANSI (B 16.11) | ICFS 20 | ICFF 20E | ICFE 20 | ICFO 20 | ICFR 20A | ICFN 20 | 10.1 | 22.2 | 027L3014 |

Valve station, type ICF 15, ICF 20, ICF 25, ICF 50 and ICF 65

| Type | # of modules | Appl. # | Connection size | | Connection type | Module location | | | | | | Weight | | Code number |
|--------|--------------|---------|-----------------|------|-----------------------------|-----------------|----------|----------|---------|----------|---------|--------|------|-------------|
| | | | [in.] | [mm] | | M1 | M2 | M3 | M4 | M5 | M6 | kg | lbs | |
| ICF 20 | 6 | 2RA | 1 | 25 | Socket weld, ANSI (B 16.11) | ICFS 20 | ICFF 20E | ICFE 20 | ICFO 20 | ICFR 20A | ICFN 20 | 9.9 | 21.8 | 027L3016 |
| ICF 20 | 6 | 2HRB | 1 | 25 | Socket weld, ANSI (B 16.11) | ICFS 20 | ICFF 20E | ICFE 20H | ICFB 20 | ICFR 20B | ICFN 20 | 8.8 | 19.4 | 027L3412 |
| ICF 20 | 6 | 2RA | 1¼ | 32 | Socket weld, ANSI (B 16.11) | ICFS 20 | ICFF 20E | ICFE 20 | ICFO 20 | ICFR 20A | ICFN 20 | 9.9 | 21.8 | 027L3017 |
| ICF 20 | 6 | 2HRB | 1¼ | 32 | Socket weld, ANSI (B 16.11) | ICFS 20 | ICFF 20E | ICFE 20H | ICFB 20 | ICFR 20B | ICFN 20 | 10.9 | 24 | 027L3413 |

Table 75: Application 3: Liquid feed

| Type | # of modules | Appl. # | Connection size | | Connection type | Module location | | | | | | Weight | | Code number |
|--------|--------------|---------|-----------------|------|-----------------------------|-----------------|----------|----------|---------|----------|---------|--------|------|-------------|
| | | | [in.] | [mm] | | M1 | M2 | M3 | M4 | M5 | M6 | kg | lbs | |
| ICF 20 | 6 | 3RA | ¾ | 20 | Butt-weld ANSI (B 36.10) | ICFS 20 | ICFF 20 | ICFE 20 | ICFC 20 | ICFR 20A | ICFS 20 | 9.9 | 21.8 | 027L3022 |
| ICF 20 | 6 | 3RA | 1 | 25 | Butt-weld ANSI (B 36.10) | ICFS 20 | ICFF 20 | ICFE 20 | ICFC 20 | ICFR 20A | ICFS 20 | 9.9 | 21.8 | 027L3419 |
| ICF 20 | 6 | 3RA | ¾ | 20 | Butt-weld DIN-EN 10220 | ICFS 20 | ICFF 20 | ICFE 20 | ICFC 20 | ICFR 20A | ICFS 20 | 9.6 | 21.1 | 027L3018 |
| ICF 20 | 6 | 3RB | ¾ | 20 | Butt-weld DIN-EN 10220 | ICFS 20 | ICFF 20 | ICFE 20 | ICFC 20 | ICFR 20B | ICFS 20 | 10.4 | 22.9 | 027L3433 |
| ICF 20 | 6 | 3RA | 1 | 25 | Butt-weld DIN-EN 10220 | ICFS 20 | ICFF 20E | ICFE 20 | ICFC 20 | ICFR 20A | ICFS 20 | 10 | 22 | 027L3437 |
| ICF 20 | 6 | 3HRB | 1 | 25 | Butt-weld DIN-EN 10220 | ICFS 20 | ICFF 20 | ICFE 20H | ICFC 20 | ICFR 20B | ICFS 20 | 10.6 | 23.3 | 027L3414 |
| ICF 25 | 6 | 3RA | 1 | 25 | Butt-weld DIN-EN 10220 | ICFS 25 | ICFF 25 | ICFE 25 | ICFC 25 | ICFR 25A | ICFS 25 | 23.4 | 51.5 | 027L4020 |
| ICF 20 | 6 | 3RA | 1¼ | 32 | Butt-weld DIN-EN 10220 | ICFS 20 | ICFF 20 | ICFE 20 | ICFC 20 | ICFR 20A | ICFS 20 | 10.4 | 22.9 | 027L3021 |
| ICF 20 | 6 | 3HRB | 1¼ | 32 | Butt-weld DIN-EN 10220 | ICFS 20 | ICFF 20 | ICFE 20H | ICFC 20 | ICFR 20B | ICFS 20 | 10.6 | 23.3 | 027L3415 |
| ICF 25 | 6 | 3RA | 1¼ | 32 | Butt-weld DIN-EN 10220 | ICFS 25 | ICFF 25 | ICFE 25 | ICFC 25 | ICFR 25A | ICFS 25 | 23.2 | 51 | 027L4024 |
| ICF 20 | 6 | 3RB | 1¼ | 32 | Butt-weld DIN-EN 10220 | ICFS 20 | ICFF 20 | ICFE 20 | ICFC 20 | ICFR 20B | ICFS 20 | 10.4 | 22.9 | 027L3430 |
| ICF 25 | 6 | 3RB | 1¼ | 32 | Butt-weld DIN-EN 10220 | ICFS 25 | ICFF 25 | ICFE 25 | ICFC 25 | ICFR 25B | ICFS 25 | 23.8 | 52.4 | 027L4029 |
| ICF 25 | 6 | 3RB | 1½ | 40 | Butt-weld DIN-EN 10220 | ICFS 25 | ICFF 25 | ICFE 25 | ICFC 25 | ICFR 25B | ICFS 25 | 24 | 52.8 | 027L4034 |
| ICF 20 | 6 | 3RA | ¾ | 20 | Socket weld, ANSI (B 16.11) | ICFS 20 | ICFF 20E | ICFE 20 | ICFC 20 | ICFR 20A | ICFS 20 | 10 | 22 | 027L3023 |
| ICF 20 | 6 | 3HRB | ¾ | 20 | Socket weld, ANSI (B 16.11) | ICFS 20 | ICFF 20E | ICFE 20H | ICFC 20 | ICFR 20B | ICFS 20 | 10.7 | 23.5 | 027L3418 |
| ICF 20 | 6 | 3RA | 1 | 25 | Socket weld, ANSI (B 16.11) | ICFS 20 | ICFF 20E | ICFE 20 | ICFC 20 | ICFR 20A | ICFS 20 | 10 | 22 | 027L3025 |
| ICF 20 | 6 | 3HRB | 1 | 25 | Socket weld, ANSI (B 16.11) | ICFS 20 | ICFF 20E | ICFE 20H | ICFC 20 | ICFR 20B | ICFS 20 | 11.2 | 24.6 | 027L3416 |

Valve station, type ICF 15, ICF 20, ICF 25, ICF 50 and ICF 65

| Type | # of modules | Appl. # | Connection size | | Connection type | Module location | | | | | | Weight | | Code number |
|--------|--------------|---------|-----------------|------|-----------------------------|-----------------|----------|----------|---------|----------|---------|--------|------|-------------|
| | | | [in.] | [mm] | | M1 | M2 | M3 | M4 | M5 | M6 | kg | lbs | |
| ICF 25 | 6 | 3RA | 1 | 25 | Socket weld, ANSI (B 16.11) | ICFS 25 | ICFF 25E | ICFE 25 | ICFC 25 | ICFR 25A | ICFS 25 | 24.2 | 53.2 | 027L4021 |
| ICF 20 | 6 | 3RA | 1¼ | 32 | Socket weld, ANSI (B 16.11) | ICFS 20 | ICFF 20E | ICFE 20 | ICFC 20 | ICFR 20A | ICFS 20 | 10.1 | 22.2 | 027L3026 |
| ICF 20 | 6 | 3HRB | 1¼ | 32 | Socket weld, ANSI (B 16.11) | ICFS 20 | ICFF 20E | ICFE 20H | ICFC 20 | ICFR 20B | ICFS 20 | 11.3 | 24.9 | 027L3417 |
| ICF 25 | 6 | 3RA | 1¼ | 32 | Socket weld, ANSI (B 16.11) | ICFS 25 | ICFF 25E | ICFE 25 | ICFC 25 | ICFR 25A | ICFS 25 | 24.1 | 53 | 027L4026 |
| ICF 25 | 6 | 3RB | 1¼ | 32 | Socket weld, ANSI (B 16.11) | ICFS 25 | ICFF 25E | ICFE 25 | ICFC 25 | ICFR 25B | ICFS 25 | 24.1 | 53 | 027L4031 |
| ICF 25 | 6 | 3RB | 1½ | 40 | Socket weld, ANSI (B 16.11) | ICFS 25 | ICFF 25E | ICFE 25 | ICFC 25 | ICFR 25B | ICFS 25 | 24.2 | 53.2 | 027L4035 |

Table 76: Application 10: Liquid feed (no hot gas defrost)

| Type | # of modules | Appl. # | Connection size | | Connection type | Module location | | | | Weight | | Code number |
|--------|--------------|---------|-----------------|------|--------------------------|------------------------|------------------------|----------|----------|--------|------|-------------|
| | | | [in.] | [mm] | | M1 | M2 | M3 | M4 | kg | lbs | |
| ICF 15 | 4 | 10HRB | ¾ | 20 | Butt-weld ANSI (B 36.10) | ICFS 15 ⁽¹⁾ | ICFF 15 ⁽¹⁾ | ICFE 20H | ICFR 20B | 7 | 15.4 | 027L4585 |
| ICF 20 | 4 | 10RA | ¾ | 20 | Butt-weld ANSI (B 36.10) | ICFS 20 | ICFF 20 | ICFE 20 | ICFR 20A | 6.6 | 14.5 | 027L3077 |
| ICF 25 | 4 | 10RA | 1¼ | 32 | Butt-weld ANSI (B 36.10) | ICFS 25 | ICFF 25 | ICFE 25 | ICFR 25A | 16.1 | 35.4 | 027L4081 |
| ICF 15 | 4 | 10RA | ½ | 15 | Butt-weld DIN-EN 10220 | ICFS 15 ⁽¹⁾ | ICFF 15 ⁽¹⁾ | ICFE 20 | ICFR 20A | 6.3 | 13.8 | 027L4548 |
| ICF 15 | 4 | 10RB | ½ | 15 | Butt-weld DIN-EN 10220 | ICFS 15 ⁽¹⁾ | ICFF 15 ⁽¹⁾ | ICFE 20 | ICFR 20B | 6.3 | 13.8 | 027L4544 |
| ICF 15 | 4 | 10HRA | ½ | 15 | Butt-weld DIN-EN 10220 | ICFS 15 ⁽¹⁾ | ICFF 15 ⁽¹⁾ | ICFE 20H | ICFR 20A | 7 | 15.4 | 027L4552 |
| ICF 15 | 4 | 10HRB | ½ | 15 | Butt-weld DIN-EN 10220 | ICFS 15 ⁽¹⁾ | ICFF 15 ⁽¹⁾ | ICFE 20H | ICFR 20B | 7 | 15.4 | 027L4549 |
| ICF 15 | 4 | 10RA | ¾ | 20 | Butt-weld DIN-EN 10220 | ICFS 15 ⁽¹⁾ | ICFF 15 ⁽¹⁾ | ICFE 20 | ICFR 20A | 6.3 | 13.8 | 027L4545 |
| ICF 15 | 4 | 10RB | ¾ | 20 | Butt-weld DIN-EN 10220 | ICFS 15 ⁽¹⁾ | ICFF 15 ⁽¹⁾ | ICFE 20 | ICFR 20B | 6.3 | 13.8 | 027L4540 |
| ICF 15 | 4 | 10HRB | ¾ | 20 | Butt-weld DIN-EN 10220 | ICFS 15 ⁽¹⁾ | ICFF 15 ⁽¹⁾ | ICFE 20H | ICFR 20B | 7 | 15.4 | 027L4524 |
| ICF 20 | 4 | 10RA | ¾ | 20 | Butt-weld DIN-EN 10220 | ICFS 20 | ICFF 20 | ICFE 20 | ICFR 20A | 6.7 | 14.7 | 027L3073 |
| ICF 20 | 4 | 10HRB | ¾ | 20 | Butt-weld DIN-EN 10220 | ICFS 20 | ICFF 20 | ICFE 20H | ICFR 20B | 7.9 | 17.4 | 027L3383 |
| ICF 20 | 4 | 10RA | 1 | 25 | Butt-weld DIN-EN 10220 | ICFS 20 | ICFF 20 | ICFE 20 | ICFR 20A | 7.2 | 15.8 | 027L3075 |
| ICF 20 | 4 | 10RB | 1 | 25 | Butt-weld DIN-EN 10220 | ICFS 20 | ICFF 20 | ICFE 20 | ICFR 20B | 7.2 | 15.8 | 027L3431 |
| ICF 20 | 4 | 10HRB | 1 | 25 | Butt-weld DIN-EN 10220 | ICFS 20 | ICFF 20 | ICFE 20H | ICFR 20B | 7.9 | 17.4 | 027L3400 |

Valve station, type ICF 15, ICF 20, ICF 25, ICF 50 and ICF 65

| Type | # of modules | Appl. # | Connection size | | Connection type | Module location | | | | Weight | | Code number |
|--------|--------------|---------|-----------------|------|-----------------------------------|------------------------|------------------------|----------|----------|--------|------|-------------|
| | | | [in.] | [mm] | | M1 | M2 | M3 | M4 | kg | lbs | |
| ICF 25 | 4 | 10RA | 1 | 25 | Butt-weld DIN-EN 10220 | ICFS 25 | ICFF 25 | ICFE 25 | ICFR 25A | 15.9 | 35 | 027L4076 |
| ICF 25 | 4 | 10RB | 1 | 25 | Butt-weld DIN-EN 10220 | ICFS 25 | ICFF 25 | ICFE 25 | ICFR 25B | 15.9 | 35 | 027L4169 |
| ICF 25 | 4 | 10RB | 1 | 25 | Butt-weld DIN-EN 10220 | ICFS 25 | ICFF 25E | ICFE 25 | ICFR 25B | 16.2 | 35.6 | 027L4187 |
| ICF 20 | 4 | 10RA | 1 ¼ | 32 | Butt-weld DIN-EN 10220 | ICFS 20 | ICFF 20 | ICFE 20 | ICFR 20A | 6.7 | 14.7 | 027L3076 |
| ICF 20 | 4 | 10HRB | 1 ¼ | 32 | Butt-weld DIN-EN 10220 | ICFS 20 | ICFF 20 | ICFE 20H | ICFR 20B | 7.9 | 17.4 | 027L3401 |
| ICF 25 | 4 | 10RA | 1 ¼ | 32 | Butt-weld DIN-EN 10220 | ICFS 25 | ICFF 25 | ICFE 25 | ICFR 25A | 15.8 | 34.8 | 027L4080 |
| ICF 25 | 4 | 10RB | 1 ¼ | 32 | Butt-weld DIN-EN 10220 | ICFS 25 | ICFF 25 | ICFE 25 | ICFR 25B | 15.4 | 33.9 | 027L4085 |
| ICF 25 | 4 | 10RB | 1½ | 40 | Butt-weld DIN-EN 10220 | ICFS 25 | ICFF 25 | ICFE 25 | ICFR 25B | 15.8 | 34.8 | 027L4090 |
| ICF 15 | 4 | 10RA | ½ | 15 | Socket weld, ANSI (B 16.11) | ICFS 15 ⁽¹⁾ | ICFF 15 ⁽¹⁾ | ICFE 20 | ICFR 20A | 6.3 | 13.8 | 027L4586 |
| ICF 15 | 4 | 10HRB | ½ | 15 | Socket weld, ANSI (B 16.11) | ICFS 15 ⁽¹⁾ | ICFF 15 ⁽¹⁾ | ICFE 20H | ICFR 20B | 7 | 15.4 | 027L4530 |
| ICF 15 | 4 | 10RA | ¾ | 20 | Socket weld, ANSI (B 16.11) | ICFS 15 ⁽¹⁾ | ICFF 15 ⁽¹⁾ | ICFE 20 | ICFR 20A | 6.3 | 13.8 | 027L4625 |
| ICF 15 | 4 | 10HRB | ¾ | 20 | Socket weld, ANSI (B 16.11) | ICFS 15 ⁽¹⁾ | ICFF 15 ⁽¹⁾ | ICFE 20H | ICFR 20B | 7 | 15.4 | 027L4615 |
| ICF 20 | 4 | 10RA | ¾ | 20 | Socket weld, ANSI (B 16.11) | ICFS 20 | ICFF 20E | ICFE 20 | ICFR 20A | 7 | 15.4 | 027L3078 |
| ICF 20 | 4 | 10HRB | ¾ | 20 | Socket weld, ANSI (B 16.11) | ICFS 20 | ICFF 20E | ICFE 20H | ICFR 20B | 8.4 | 18.5 | 027L3404 |
| ICF 20 | 4 | 10RA | 1 | 25 | Socket weld, ANSI (B 16.11) | ICFS 20 | ICFF 20E | ICFE 20 | ICFR 20A | 6.9 | 15.2 | 027L3080 |
| ICF 20 | 4 | 10HRB | 1 | 25 | Socket weld, ANSI (B 16.11) | ICFS 20 | ICFF 20E | ICFE 20H | ICFR 20B | 7.8 | 17.2 | 027L3402 |
| ICF 25 | 4 | 10RA | 1 | 25 | Socket weld, ANSI (B 16.11) | ICFS 25 | ICFF 25E | ICFE 25 | ICFR 25A | 15.8 | 34.8 | 027L4077 |
| ICF 20 | 4 | 10RA | 1 ¼ | 32 | Socket weld, ANSI (B 16.11) | ICFS 20 | ICFF 20E | ICFE 20 | ICFR 20A | 7 | 15.4 | 027L3081 |
| ICF 20 | 4 | 10HRB | 1 ¼ | 32 | Socket weld, ANSI (B 16.11) | ICFS 20 | ICFF 20E | ICFE 20H | ICFR 20B | 8.1 | 17.8 | 027L3403 |
| ICF 25 | 4 | 10RA | 1 ¼ | 32 | Socket weld, ANSI (B 16.11) | ICFS 25 | ICFF 25E | ICFE 25 | ICFR 25A | 12.7 | 27.9 | 027L4082 |
| ICF 25 | 4 | 10RB | 1 ¼ | 32 | Socket weld, ANSI (B 16.11) | ICFS 25 | ICFF 25E | ICFE 25 | ICFR 25B | 16.2 | 35.6 | 027L4087 |
| ICF 25 | 4 | 10RB | 1½ | 40 | Socket weld, ANSI (B 16.11) | ICFS 25 | ICFF 25E | ICFE 25 | ICFR 25B | 16.2 | 35.6 | 027L4091 |

⁽¹⁾ Fixed module

Table 77: Application 15: Liquid feed with external connection

| Type | # of modules | Appl. # | Connection size | | Connection type | Module location | | | | | | Weight | | Code number |
|--------|--------------|---------|-----------------|------|-----------------------------|-----------------|----------|---------|---------|----------|----------|--------|------|-------------|
| | | | [in.] | [mm] | | M1 | M2 | M3 | M4 | M5 | M6 | kg | lbs | |
| ICF 20 | 6 | 15RA | 1 | 25 | Butt-weld DIN-EN 10220 | ICFS 20 | ICFF 20 | ICFE 20 | ICFC 20 | ICFW 20D | ICFR 20A | 9.1 | 20 | 027L3157 |
| ICF 20 | 6 | 15RB | 1 | 25 | Butt-weld DIN-EN 10220 | ICFS 20 | ICFF 20 | ICFE 20 | ICFC 20 | ICFW 20D | ICFR 20B | 9.1 | 20 | 027L3434 |
| ICF 25 | 6 | 15RA | 1 | 25 | Butt-weld DIN-EN 10220 | ICFS 25 | ICFF 25 | ICFE 25 | ICFC 25 | ICFW 25D | ICFR 25A | 21.8 | 48 | 027L4121 |
| ICF 25 | 6 | 15RB | 1 ¼ | 32 | Butt-weld DIN-EN 10220 | ICFS 25 | ICFF 25 | ICFE 25 | ICFC 25 | ICFW 25D | ICFR 25B | 22.7 | 49.9 | 027L4126 |
| ICF 25 | 6 | 15RB | 1½ | 40 | Butt-weld DIN-EN 10220 | ICFS 25 | ICFF 25 | ICFE 25 | ICFC 25 | ICFW 25D | ICFR 25B | 21.9 | 48.2 | 027L4130 |
| ICF 25 | 6 | 15RA | 1 | 25 | Socket weld, ANSI (B 16.11) | ICFS 25 | ICFF 25E | ICFE 25 | ICFC 25 | ICFW 25S | ICFR 25A | 23.5 | 51.7 | 027L4122 |
| ICF 25 | 6 | 15RB | 1 ¼ | 32 | Socket weld, ANSI (B 16.11) | ICFS 25 | ICFF 25E | ICFE 25 | ICFC 25 | ICFW 25S | ICFR 25B | 23.6 | 51.9 | 027L4127 |
| ICF 25 | 6 | 15RB | 1½ | 40 | Socket weld, ANSI (B 16.11) | ICFS 25 | ICFF 25E | ICFE 25 | ICFC 25 | ICFW 25S | ICFR 25B | 23.7 | 52.1 | 027L4131 |

Solenoid common

Table 78: Application 4: Solenoid - Liquid & hot gas lines

| Type | # of modules | Appl. # | Connection size | | Connection type | Module location | | | | | | Weight | | Code number |
|--------|--------------|---------|-----------------|------|-----------------------------|-----------------|----------|---------|---------|---------|---------|--------|------|-------------|
| | | | [in.] | [mm] | | M1 | M2 | M3 | M4 | M5 | M6 | kg | lbs | |
| ICF 20 | 6 | 4 | 1 | 25 | Butt-weld DIN-EN 10220 | ICFS 20 | ICFF 20 | ICFE 20 | ICFO 20 | ICFB 20 | ICFS 20 | 9.2 | 20.2 | 027L3028 |
| ICF 20 | 6 | 4 | 1 ¼ | 32 | Butt-weld DIN-EN 10220 | ICFS 20 | ICFF 20 | ICFE 20 | ICFO 20 | ICFB 20 | ICFS 20 | 9.2 | 20.2 | 027L3029 |
| ICF 20 | 6 | 4 | ¾ | 20 | Socket weld, ANSI (B 16.11) | ICFS 20 | ICFF 20E | ICFE 20 | ICFO 20 | ICFB 20 | ICFS 20 | 9.4 | 20.7 | 027L3124 |
| ICF 20 | 6 | 4 | 1 | 25 | Socket weld, ANSI (B 16.11) | ICFS 20 | ICFF 20E | ICFE 20 | ICFO 20 | ICFB 20 | ICFS 20 | 9.3 | 20.5 | 027L3032 |
| ICF 20 | 6 | 4 | 1 ¼ | 32 | Socket weld, ANSI (B 16.11) | ICFS 20 | ICFF 20E | ICFE 20 | ICFO 20 | ICFB 20 | ICFS 20 | 9.5 | 20.9 | 027L3033 |

Table 79: Application 8: Solenoid - Liquid & hot gas lines

| Type | # of modules | Appl. # | Connection size | | Connection type | Module location | | | | Weight | | Code number |
|--------|--------------|---------|-----------------|------|--------------------------|------------------------|------------------------|---------|---------|--------|------|-------------|
| | | | [in.] | [mm] | | M1 | M2 | M3 | M4 | kg | lbs | |
| ICF 15 | 4 | 8 | ½ | 15 | Butt-weld ANSI (B 36.10) | ICFS 15 ⁽¹⁾ | ICFF 15 ⁽¹⁾ | ICFE 20 | ICFO 20 | 5.7 | 12.6 | 027L4533 |
| ICF 15 | 4 | 8 | ¾ | 20 | Butt-weld ANSI (B 36.10) | ICFS 15 ⁽¹⁾ | ICFF 15 ⁽¹⁾ | ICFE 20 | ICFO 20 | 5.7 | 12.6 | 027L4535 |
| ICF 20 | 4 | 8 | ¾ | 20 | Butt-weld ANSI (B 36.10) | ICFS 20 | ICFF 20 | ICFE 20 | ICFO 20 | 6.3 | 13.9 | 027L3062 |
| ICF 15 | 4 | 8 | ½ | 15 | Butt-weld DIN-EN 10220 | ICFS 15 ⁽¹⁾ | ICFF 15 ⁽¹⁾ | ICFE 20 | ICFO 20 | 5.7 | 12.6 | 027L4532 |
| ICF 15 | 4 | 8 | ½ | 15 | Butt-weld DIN-EN 10220 | ICFS 15 ⁽¹⁾ | ICFF 15 ⁽¹⁾ | ICFE 20 | ICFN 20 | 6.8 | 15 | 027L4579 |
| ICF 15 | 4 | 8 | ¾ | 20 | Butt-weld DIN-EN 10220 | ICFS 15 ⁽¹⁾ | ICFF 15 ⁽¹⁾ | ICFE 20 | ICFO 20 | 5.7 | 12.6 | 027L4520 |
| ICF 15 | 4 | 8 | ¾r | 20 | Butt-weld DIN-EN 10220 | ICFS 15 ⁽¹⁾ | ICFF 15 ⁽¹⁾ | ICFE 20 | ICFN 20 | 6.8 | 15 | 027L4574 |
| ICF 20 | 4 | 8 | 1 | 25 | Butt-weld DIN-EN 10220 | ICFS 20 | ICFF 20 | ICFE 20 | ICFO 20 | 7.2 | 15.8 | 027L3060 |

Valve station, type ICF 15, ICF 20, ICF 25, ICF 50 and ICF 65

| Type | # of modules | Appl. # | Connection size | | Connection type | Module location | | | | Weight | | Code number |
|--------|--------------|---------|-----------------|------|-----------------------------|------------------------|------------------------|---------|---------|--------|------|-------------|
| | | | [in.] | [mm] | | M1 | M2 | M3 | M4 | kg | lbs | |
| ICF 25 | 4 | 8 | 1 | 25 | Butt-weld DIN-EN 10220 | ICFS 25 | ICFF 25 | ICFE 25 | ICFB 25 | 12.4 | 27.3 | 027L4054 |
| ICF 20 | 4 | 8 | 1¼ | 32 | Butt-weld DIN-EN 10220 | ICFS 20 | ICFF 20 | ICFE 20 | ICFO 20 | 6.3 | 13.9 | 027L3061 |
| ICF 25 | 4 | 8 | 1¼ | 32 | Butt-weld DIN-EN 10220 | ICFS 25 | ICFF 25 | ICFE 25 | ICFB 25 | 14.5 | 31.9 | 027L4133 |
| ICF 25 | 4 | 8 | 1½ | 40 | Butt-weld DIN-EN 10220 | ICFS 25 | ICFF 25 | ICFE 25 | ICFB 25 | 14.5 | 31.9 | 027L4059 |
| ICF 15 | 4 | 8 | ½ | 15 | Pipe thread (ANSI B 1.20.1) | ICFS 15 ⁽¹⁾ | ICFF 15 ⁽¹⁾ | ICFE 20 | ICFO 20 | 5.7 | 12.6 | 027L4534 |
| ICF 15 | 4 | 8 | ½ | 15 | Socket weld, ANSI (B 16.11) | ICFS 15 ⁽¹⁾ | ICFF 15 ⁽¹⁾ | ICFE 20 | ICFO 20 | 5.7 | 12.6 | 027L4526 |
| ICF 15 | 4 | 8 | ¾ | 20 | Socket weld, ANSI (B 16.11) | ICFS 15 ⁽¹⁾ | ICFF 15 ⁽¹⁾ | ICFE 20 | ICFO 20 | 5.7 | 12.6 | 027L4611 |
| ICF 20 | 4 | 8 | ¾ | 20 | Socket weld, ANSI (B 16.11) | ICFS 20 | ICFF 20E | ICFE 20 | ICFO 20 | 6.6 | 14.5 | 027L3366 |
| ICF 20 | 4 | 8 | 1 | 25 | Socket weld, ANSI (B 16.11) | ICFS 20 | ICFF 20E | ICFE 20 | ICFO 20 | 6.7 | 14.7 | 027L3064 |
| ICF 20 | 4 | 8 | 1¼ | 32 | Socket weld, ANSI (B 16.11) | ICFS 20 | ICFF 20E | ICFE 20 | ICFO 20 | 6.7 | 14.7 | 027L3065 |
| ICF 15 | 4 | 8 | 7/8 | 22 | Solder ANSI B 16.22 | ICFS 15 ⁽¹⁾ | ICFF 15 ⁽¹⁾ | ICFE 20 | ICFO 20 | 5.7 | 12.6 | 027L4536 |
| ICF 15 | 4 | 8 | 7/8 | 22 | Solder DIN-EN1254-1 | ICFS 15 ⁽¹⁾ | ICFF 15 ⁽¹⁾ | ICFE 20 | ICFO 20 | 5.7 | 12.6 | 027L4537 |

⁽¹⁾ Fixed module

Table 80: Application 121: Solenoid - generic

| Type | # of Modules | Appl.# | Connection size | | Connection type | Module location | | | | | | Weight | | Code number |
|--------|--------------|--------|-----------------|------|-------------------------|-----------------|---------|----|----|----|----|--------|-----|-------------|
| | | | [in.] | [mm] | | M1 | M2 | M3 | M4 | M5 | M6 | kg | lbs | |
| ICF 20 | 2 | 121 | ½ | 15 | Butt-weld ASME B 36.10M | ICFE 20 | ICFO 20 | | | | | 2.2 | 4.8 | 027L3801 |
| ICF 20 | 2 | 121L | ½ | 15 | Butt-weld ASME B 36.10M | ICFE 20L | ICFO 20 | | | | | 2.2 | 4.8 | 027L3829 |
| ICF 20 | 2 | 121 | ½ | 15 | Butt-weld EN 10220 | ICFE 20 | ICFO 20 | | | | | 2.1 | 4.7 | 027L3802 |
| ICF 20 | 2 | 121L | ½ | 15 | Butt-weld EN 10220 | ICFE 20L | ICFO 20 | | | | | 2.1 | 4.7 | 027L3826 |
| ICF 20 | 2 | 121 | ¾ | 20 | Butt-weld EN 10220 | ICFE 20 | ICFO 20 | | | | | 2.1 | 4.6 | 027L3803 |
| ICF 20 | 2 | 121L | ¾ | 20 | Butt-weld EN 10220 | ICFE 20L | ICFO 20 | | | | | 2.1 | 4.7 | 027L3827 |
| ICF 20 | 2 | 121H | ¾ | 20 | Butt-weld EN 10220 | ICFE 20H | ICFB 20 | | | | | 2.9 | 6.3 | 027L3804 |
| ICF 20 | 2 | 121 | ¾ | 20 | Butt-weld ASME B 36.10M | ICFE 20 | ICFO 20 | | | | | 2.1 | 4.7 | 027L3805 |
| ICF 20 | 2 | 121L | ¾ | 20 | Butt-weld ASME B 36.10M | ICFE 20L | ICFO 20 | | | | | 2.1 | 4.7 | 027L3828 |
| ICF 20 | 2 | 121H | ¾ | 20 | Butt-weld ASME B 36.10M | ICFE 20H | ICFB 20 | | | | | 2.9 | 6.4 | 027L3806 |
| ICF 20 | 2 | 121H | 1 | 25 | Butt-weld EN 10220 | ICFE 20H | ICFB 20 | | | | | 2.9 | 6.3 | 027L3807 |
| ICF 20 | 2 | 121H | 1 | 25 | Butt-weld ASME B 36.10M | ICFE 20H | ICFB 20 | | | | | 2.9 | 6.4 | 027L3808 |
| ICF 20 | 2 | 121 | ¾ | 20 | Socket Weld ASM B 16.11 | ICFE 20 | ICFO 20 | | | | | 2.2 | 4.8 | 027L3809 |
| ICF 20 | 2 | 121H | ¾ | 20 | Socket Weld ASM B 16.11 | ICFE 20H | ICFB 20 | | | | | 3.0 | 6.5 | 027L3810 |
| ICF 20 | 2 | 121 | 7/8 | 22 | Brazing DIN/EN 1254-5 | ICFE 20 | ICFO 20 | | | | | 2.1 | 4.7 | 027L3811 |

Valve station, type ICF 15, ICF 20, ICF 25, ICF 50 and ICF 65

| Type | # of Modules | Appl.# | Connection size | | Connection type | Module location | | | | | | Weight | | Code number |
|--------|--------------|--------|-----------------|------|-----------------------|-----------------|---------|----|----|----|----|--------|-----|-------------|
| | | | [in.] | [mm] | | M1 | M2 | M3 | M4 | M5 | M6 | kg | lbs | |
| ICF 20 | 2 | 121H | 7/8 | 22 | Brazing DIN/EN 1254-5 | ICFE 20H | ICFB 20 | | | | | 2.9 | 6.3 | 027L3812 |
| ICF 20 | 2 | 121 | 7/8 | 22 | Brazing ASME B16.50 | ICFE 20 | ICFO 20 | | | | | 2.1 | 4.7 | 027L3813 |
| ICF 20 | 2 | 121H | 7/8 | 22 | Brazing ASME B16.50 | ICFE 20H | ICFB 20 | | | | | 2.9 | 6.3 | 027L3814 |

Liquid injection

Table 81: Application 5: Liquid injection (expansion)

| Type | # of modules | Appl. # | Connection size | | Connection type | Module location | | | | | | Weight | | Code number |
|--------|--------------|---------|-----------------|------|--------------------------|-----------------|------------|----------|---------|------------|---------|--------|------|-------------|
| | | | [in.] | [mm] | | M1 | M2 | M3 | M4 | M5 | M6 | kg | lbs | |
| ICF 20 | 6 | 5MA | 3/4 | 20 | Butt-weld ANSI (B 36.10) | ICFS 20 | ICFF 20 | ICFE 20 | ICFO 20 | ICM 20-A | ICFS 20 | 9.6 | 21.1 | 027L3037 |
| ICF 20 | 6 | 5MB | 3/4 | 20 | Butt-weld ANSI (B 36.10) | ICFS 20 | ICFF 20 | ICFE 20 | ICFO 20 | ICM 20-B | ICFS 20 | 9.9 | 21.8 | 027L3043 |
| ICF 25 | 6 | 5MA | 1 1/4 | 32 | Butt-weld ANSI (B 36.10) | ICFS 25 | ICFF 25 | ICFE 25 | ICFB 25 | ICM 25-A | ICFS 25 | 23 | 50.6 | 027L4043 |
| ICF 20 | 6 | 5MA33 | 3/4 | 20 | Butt-weld DIN-EN 10220 | ICFS 20 | ICFF 20 | ICFE 20 | ICFO 20 | ICM 20-A33 | ICFS 20 | 10.1 | 22.2 | 027L3367 |
| ICF 20 | 6 | 5MA33 | 3/4 | 20 | Butt-weld DIN-EN 10220 | ICFS 20 | ICFF 20-74 | ICFE 20 | ICFO 20 | ICM 20-A33 | ICFS 20 | 9.8 | 21.6 | 027L3151 |
| ICF 20 | 6 | 5MA | 3/4 | 20 | Butt-weld DIN-EN 10220 | ICFS 20 | ICFF 20 | ICFE 20 | ICFO 20 | ICM 20-A | ICFS 20 | 9.8 | 21.6 | 027L3034 |
| ICF 20 | 6 | 5MA | 3/4 | 20 | Butt-weld DIN-EN 10220 | ICFS 20 | ICFF 20-74 | ICFE 20 | ICFO 20 | ICM 20-A | ICFS 20 | 9.8 | 21.6 | 027L3147 |
| ICF 20 | 6 | 5MB | 3/4 | 20 | Butt-weld DIN-EN 10220 | ICFS 20 | ICFF 20 | ICFE 20 | ICFO 20 | ICM 20-B | ICFS 20 | 9.8 | 21.6 | 027L3145 |
| ICF 20 | 6 | 5MB66 | 3/4 | 20 | Butt-weld DIN-EN 10220 | ICFS 20 | ICFF 20 | ICFE 20 | ICFO 20 | ICM 20-B66 | ICFS 20 | 9.6 | 21.1 | 027L3161 |
| ICF 20 | 6 | 5MC | 3/4 | 20 | Butt-weld DIN-EN 10220 | ICFS 20 | ICFF 20 | ICFE 20 | ICFO 20 | ICM 20-C | ICFS 20 | 9.9 | 21.8 | 027L3432 |
| ICF 20 | 6 | 5MA33 | 1 | 25 | Butt-weld DIN-EN 10220 | ICFS 20 | ICFF 20 | ICFE 20 | ICFO 20 | ICM 20-A33 | ICFS 20 | 10.1 | 22.2 | 027L3388 |
| ICF 20 | 6 | 5MA33 | 1 | 25 | Butt-weld DIN-EN 10220 | ICFS 20 | ICFF 20-74 | ICFE 20 | ICFO 20 | ICM 20-A33 | ICFS 20 | 9.6 | 21.1 | 027L3153 |
| ICF 20 | 6 | 5MA | 1 | 25 | Butt-weld DIN-EN 10220 | ICFS 20 | ICFF 20 | ICFE 20 | ICFO 20 | ICM 20-A | ICFS 20 | 9.8 | 21.6 | 027L3036 |
| ICF 20 | 6 | 5HMA | 1 | 25 | Butt-weld DIN-EN 10220 | ICFS 20 | ICFF 20 | ICFE 20H | ICFB 20 | ICM 20-A | ICFS 20 | 10.4 | 22.9 | 027L3322 |
| ICF 20 | 6 | 5MA | 1 | 25 | Butt-weld DIN-EN 10220 | ICFS 20 | ICFF 20-74 | ICFE 20 | ICFO 20 | ICM 20-A | ICFS 20 | 9.8 | 21.6 | 027L3148 |
| ICF 20 | 6 | 5MB | 1 | 25 | Butt-weld DIN-EN 10220 | ICFS 20 | ICFF 20 | ICFE 20 | ICFO 20 | ICM 20-B | ICFS 20 | 9.6 | 21.1 | 027L3042 |
| ICF 20 | 6 | 5MB | 1 | 25 | Butt-weld DIN-EN 10220 | ICFS 20 | ICFF 20-74 | ICFE 20 | ICFO 20 | ICM 20-B | ICFS 20 | 9.8 | 21.6 | 027L3149 |
| ICF 20 | 6 | 5HMB | 1 | 25 | Butt-weld DIN-EN 10220 | ICFS 20 | ICFF 20 | ICFE 20H | ICFB 20 | ICM 20-B | ICFS 20 | 11.4 | 25.1 | 027L3325 |

Valve station, type ICF 15, ICF 20, ICF 25, ICF 50 and ICF 65

| Type | # of modules | Appl. # | Connection size | | Connection type | Module location | | | | | | Weight | | Code number |
|--------|--------------|---------|-----------------|------|-----------------------------|-----------------|-----------|-----------|---------|------------|---------|--------|------|-------------|
| | | | [in.] | [mm] | | M1 | M2 | M3 | M4 | M5 | M6 | kg | lbs | |
| ICF 20 | 6 | 5MB66 | 1 | 25 | Butt-weld DIN-EN 10220 | ICFS 20 | ICFF 20 | ICFE 20 | ICFO 20 | ICM 20-B66 | ICFS 20 | 10.5 | 23.1 | 027L3389 |
| ICF 20 | 6 | 5MC | 1 | 25 | Butt-weld DIN-EN 10220 | ICFS 20 | ICFF 20 | ICFE 20 | ICFO 20 | ICM 20-C | ICFS 20 | 9.9 | 21.8 | 027L3047 |
| ICF 20 | 6 | 5HMC | 1 | 25 | Butt-weld DIN-EN 10220 | ICFS 20 | ICFF 20 | ICFE 20H | ICFB 20 | ICM 20-C | ICFS 20 | 11.4 | 25.1 | 027L3328 |
| ICF 25 | 6 | 5MA | 1 | 25 | Butt-weld DIN-EN 10220 | ICFS 25 | ICFF 25 | ICFE 25 | ICFB 25 | ICM 25-A | ICFS 25 | 22.8 | 50.2 | 027L4038 |
| ICF 25 | 6 | 5MA33 | 1 ¼ | 32 | Butt-weld DIN-EN 10220 | ICFS 25 | ICFF 25 | ICFE 25 | ICFB 25 | ICM 25-A33 | ICFS 25 | 23 | 50.6 | 027L4171 |
| ICF 20 | 6 | 5MB66 | 1 ¼ | 32 | Butt-weld DIN-EN 10220 | ICFS 20 | ICFF 20 | ICFE 20 | ICFO 20 | ICM 20-B66 | ICFS 20 | 9.6 | 21.1 | 027L3374 |
| ICF 20 | 6 | 5MC | 1 ¼ | 32 | Butt-weld DIN-EN 10220 | ICFS 20 | ICFF 20 | ICFE 20 | ICFO 20 | ICM 20-C | ICFS 20 | 9.8 | 21.6 | 027L3048 |
| ICF 20 | 6 | 5HMB | 1 ¼ | 32 | Butt-weld DIN-EN 10220 | ICFS 20 | ICFF 20 | ICFE 20-H | ICFB 20 | ICM 20-B | ICFS 20 | 10.3 | 22.7 | 027L3390 |
| ICF 20 | 6 | 5HMC | 1 ¼ | 32 | Butt-weld DIN-EN 10220 | ICFS 20 | ICFF 20 | ICFE 20H | ICFB 20 | ICM 20-C | ICFS 20 | 10.3 | 22.7 | 027L3329 |
| ICF 25 | 6 | 5MA | 1 ¼ | 32 | Butt-weld DIN-EN 10220 | ICFS 25 | ICFF 25 | ICFE 25 | ICFB 25 | ICM 25-A | ICFS 25 | 23 | 50.6 | 027L4042 |
| ICF 25 | 6 | 5MB | 1 ¼ | 32 | Butt-weld DIN-EN 10220 | ICFS 25 | ICFF 25 | ICFE 25 | ICFB 25 | ICM 25-B | ICFS 25 | 22 | 48.5 | 027L4047 |
| ICF 25 | 6 | 5MA | 1 ½ | 40 | Butt-weld DIN-EN 10220 | ICFS 25 | ICFF 25E | ICFE 25 | ICFB 25 | ICM 25-A | ICFS 25 | 21.9 | 48.2 | 027L4148 |
| ICF 25 | 6 | 5MA | 1 ½ | 40 | Butt-weld DIN-EN 10220 | ICFS 25 | ICFF 25 | ICFE 25 | ICFB 25 | ICM 25-A | ICFS 25 | 22.2 | 48.9 | 027L4174 |
| ICF 25 | 6 | 5MA33 | 1 ½ | 40 | Butt-weld DIN-EN 10220 | ICFS 25 | ICFF 25 | ICFE 25 | ICFB 25 | ICM 25-A33 | ICFS 25 | 22.2 | 48.9 | 027L4170 |
| ICF 25 | 6 | 5MB | 1 ½ | 40 | Butt-weld DIN-EN 10220 | ICFS 25 | ICFF 25 | ICFE 25 | ICFB 25 | ICM 25-B | ICFS 25 | 22.2 | 48.9 | 027L4052 |
| ICF 20 | 6 | 5MA33 | ¾ | 20 | Socket weld, ANSI (B 16.11) | ICFS 20 | ICFF 20E | ICFE 20 | ICFO 20 | ICM 20-A33 | ICFS 20 | 10.1 | 22.2 | 027L3154 |
| ICF 20 | 6 | 5MA | ¾ | 20 | Socket weld, ANSI (B 16.11) | ICFS 20 | ICFF 20E | ICFE 20 | ICFO 20 | ICM 20-A | ICFS 20 | 10 | 22 | 027L3038 |
| ICF 20 | 6 | 5MB66 | ¾ | 20 | Socket weld, ANSI (B 16.11) | ICFS 20 | ICFF 20E | ICFE 20 | ICFO 20 | ICM 20-B66 | ICFS 20 | 10.5 | 23.1 | 027L3159 |
| ICF 20 | 6 | 5MB | ¾ | 20 | Socket weld, ANSI (B 16.11) | ICFS 20 | ICFF 20E | ICFE 20 | ICFO 20 | ICM 20-B | ICFS 20 | 9.8 | 21.6 | 027L3127 |
| ICF 20 | 6 | 5MA33 | 1 | 25 | Socket weld, ANSI (B 16.11) | ICFS 20 | ICFF 20-E | ICFE 20 | ICFO 20 | ICM 20-A33 | ICFS 20 | 10.1 | 22.2 | 027L3391 |
| ICF 20 | 6 | 5MA | 1 | 25 | Socket weld, ANSI (B 16.11) | ICFS 20 | ICFF 20E | ICFE 20 | ICFO 20 | ICM 20-A | ICFS 20 | 10.1 | 22.2 | 027L3040 |
| ICF 20 | 6 | 5HMA | 1 | 25 | Socket weld, ANSI (B 16.11) | ICFS 20 | ICFF 20E | ICFE 20H | ICFB 20 | ICM 20-A | ICFS 20 | 11.4 | 25.1 | 027L3323 |
| ICF 20 | 6 | 5MB66 | 1 | 25 | Socket weld, ANSI (B 16.11) | ICFS 20 | ICFF 20E | ICFE 20 | ICFO 20 | ICM 20-B66 | ICFS 20 | 10.5 | 23.1 | 027L3160 |

Valve station, type ICF 15, ICF 20, ICF 25, ICF 50 and ICF 65

| Type | # of modules | Appl. # | Connection size | | Connection type | Module location | | | | | | Weight | | Code number |
|--------|--------------|---------|-----------------|------|-----------------------------|-----------------|-----------|-----------|---------|------------|---------|--------|------|-------------|
| | | | [in.] | [mm] | | M1 | M2 | M3 | M4 | M5 | M6 | kg | lbs | |
| ICF 20 | 6 | 5MB | 1 | 25 | Socket weld, ANSI (B 16.11) | ICFS 20 | ICFF 20E | ICFE 20 | ICFO 20 | ICM 20-B | ICFS 20 | 10 | 22 | 027L3045 |
| ICF 20 | 6 | 5HMB | 1 | 25 | Socket weld, ANSI (B 16.11) | ICFS 20 | ICFF 20E | ICFE 20H | ICFB 20 | ICM 20-B | ICFS 20 | 11 | 24.2 | 027L3326 |
| ICF 20 | 6 | 5MC | 1 | 25 | Socket weld, ANSI (B 16.11) | ICFS 20 | ICFF 20E | ICFE 20 | ICFO 20 | ICM 20-C | ICFS 20 | 10 | 22 | 027L3051 |
| ICF 20 | 6 | 5HMC | 1 | 25 | Socket weld, ANSI (B 16.11) | ICFS 20 | ICFF 20E | ICFE 20H | ICFB 20 | ICM 20-C | ICFS 20 | 10 | 22 | 027L3330 |
| ICF 25 | 6 | 5MA | 1 | 25 | Socket weld, ANSI (B 16.11) | ICFS 25 | ICFF 25E | ICFE 25 | ICFB 25 | ICM 25-A | ICFS 25 | 23.1 | 50.8 | 027L4039 |
| ICF 25 | 6 | 5MA33 | 1 ¼ | 32 | Socket weld, ANSI (B 16.11) | ICFS 25 | ICFF 25-E | ICFE 25 | ICFB 25 | ICM 25-A33 | ICFS 25 | 22 | 48.5 | 027L4173 |
| ICF 25 | 6 | 5MA | 1 ¼ | 32 | Socket weld, ANSI (B 16.11) | ICFS 25 | ICFF 25E | ICFE 25 | ICFB 25 | ICM 25-A | ICFS 25 | 23.2 | 51 | 027L4044 |
| ICF 20 | 6 | 5MB66 | 1 ¼ | 32 | Socket weld, ANSI (B 16.11) | ICFS 20 | ICFF 20-E | ICFE 20 | ICFO 20 | ICM 20-B66 | ICFS 20 | 10.5 | 23.1 | 027L3392 |
| ICF 25 | 6 | 5MB | 1 ¼ | 32 | Socket weld, ANSI (B 16.11) | ICFS 25 | ICFF 25-E | ICFE 25 | ICFB 25 | ICM 25-B | ICFS 25 | 23.2 | 51.1 | 027L4049 |
| ICF 20 | 6 | 5MC | 1 ¼ | 32 | Socket weld, ANSI (B 16.11) | ICFS 20 | ICFF 20E | ICFE 20 | ICFO 20 | ICM 20-C | ICFS 20 | 10.1 | 22.2 | 027L3052 |
| ICF 20 | 6 | 5HMB | 1 ¼ | 32 | Socket weld, ANSI (B 16.11) | ICFS 20 | ICFF 20-E | ICFE 20-H | ICFB 20 | ICM 20-B | ICFS 20 | 11 | 24.2 | 027L3393 |
| ICF 25 | 6 | 5MA | 1 ½ | 40 | Socket weld, ANSI (B 16.11) | ICFS 20 | ICFF 20E | ICFE 20H | ICFB 20 | ICM 20-C | ICFS 20 | 11 | 24.2 | 027L3331 |
| ICF 25 | 6 | 5MA33 | 1 ½ | 40 | Socket weld, ANSI (B 16.11) | ICFS 25 | ICFF 25-E | ICFE 25 | ICFB 25 | ICM 25-A33 | ICFS 25 | 22 | 48.5 | 027L4172 |
| ICF 25 | 6 | 5MA | 1 ½ | 40 | Socket weld, ANSI (B 16.11) | ICFS 25 | ICFF 25-E | ICFE 25 | ICFB 25 | ICM 25-A33 | ICFS 25 | 23.1 | 50.8 | 027L4132 |
| ICF 25 | 6 | 5MB | 1 ½ | 40 | Socket weld, ANSI (B 16.11) | ICFS 25 | ICFF 25-E | ICFE 25 | ICFB 25 | ICM 25-B | ICFS 25 | 23.2 | 51.1 | 027L4053 |

Table 82: Application 12: Liquid injection (expansion) PWM

| Type | # of modules | Appl. # | Connection size | | Connection type | Module location | | | | Weight | | Code number |
|--------|--------------|---------|-----------------|------|--------------------------|------------------------|------------------------|---------|---------|--------|------|-------------|
| | | | [in.] | [mm] | | M1 | M2 | M3 | M4 | kg | lbs | |
| ICF 15 | 4 | 12 | ¾ | 20 | Butt-weld ANSI (B 36.10) | ICFS 15 ⁽¹⁾ | ICFF 15 ⁽¹⁾ | ICFA 20 | ICFS 20 | 6.2 | 13.7 | 027L4556 |
| ICF 15 | 4 | 12 | ½ | 15 | Butt-weld DIN-EN 10220 | ICFS 15 ⁽¹⁾ | ICFF 15 ⁽¹⁾ | ICFA 20 | ICFS 20 | 6.2 | 13.7 | 027L4573 |
| ICF 15 | 4 | 12 | ¾ | 20 | Butt-weld DIN-EN 10220 | ICFS 15 ⁽¹⁾ | ICFF 15 ⁽¹⁾ | ICFA 20 | ICFS 20 | 6.2 | 13.7 | 027L4522 |
| ICF 20 | 4 | 12 | ¾ | 20 | Butt-weld DIN-EN 10220 | ICFS 20 | ICFF 20 | ICFA 20 | ICFS 20 | 6.8 | 15 | 027L3089 |

Valve station, type ICF 15, ICF 20, ICF 25, ICF 50 and ICF 65

| Type | # of modules | Appl. # | Connection size | | Connection type | Module location | | | | Weight | | Code number |
|--------|--------------|---------|-----------------|------|-----------------------------|------------------------|------------------------|---------|---------|--------|------|-------------|
| | | | [in.] | [mm] | | M1 | M2 | M3 | M4 | kg | lbs | |
| ICF 15 | 4 | 12 | ½ | 15 | Socket weld, ANSI (B 16.11) | ICFS 15 ⁽¹⁾ | ICFF 15 ⁽¹⁾ | ICFA 20 | ICFS 20 | 6.2 | 13.7 | 027L4528 |
| ICF 15 | 4 | 12 | ¾ | 20 | Socket weld, ANSI (B 16.11) | ICFS 15 ⁽¹⁾ | ICFF 15 ⁽¹⁾ | ICFA 20 | ICFS 20 | 6.2 | 13.7 | 027L4613 |
| ICF 20 | 4 | 12 | ¾ | 20 | Socket weld, ANSI (B 16.11) | ICFS 20 | ICFF 20E | ICFA 20 | ICFS 20 | 6.8 | 15 | 027L3091 |

⁽¹⁾ Fixed module

Table 83: Application 14: Liquid injection (expansion)

| Type | # of modules | Appl. # | Connection size | | Connection type | Module location | | | | Weight | | Code number |
|--------|--------------|---------|-----------------|------|------------------------|------------------------|------------------------|------------|---------|--------|------|-------------|
| | | | [in.] | [mm] | | M1 | M2 | M3 | M4 | kg | lbs | |
| ICF 15 | 4 | 14MA | ½ | 15 | Butt-weld DIN-EN 10220 | ICFS 15 ⁽¹⁾ | ICFF 15 ⁽¹⁾ | ICM 20-A | ICFS 20 | 6.8 | 15 | 027L4551 |
| ICF 15 | 4 | 14MB | ½ | 15 | Butt-weld DIN-EN 10220 | ICFS 15 ⁽¹⁾ | ICFF 15 ⁽¹⁾ | ICM 20-B | ICFS 20 | 6.8 | 15 | 027L4559 |
| ICF 20 | 4 | 14MA33 | ¾ | 20 | Butt-weld DIN-EN 10220 | ICFS 20 | ICFF 20 | ICM 20-A33 | ICFS 20 | 7.3 | 16.1 | 027L3394 |
| ICF 15 | 4 | 14MA | ¾ | 20 | Butt-weld DIN-EN 10220 | ICFS 15 ⁽¹⁾ | ICFF 15 ⁽¹⁾ | ICM 20-A | ICFS 20 | 6.8 | 15 | 027L4525 |
| ICF 20 | 4 | 14MA | ¾ | 20 | Butt-weld DIN-EN 10220 | ICFS 20 | ICFF 20 | ICM 20-A | ICFS 20 | 7.3 | 16.1 | 027L3095 |
| ICF 15 | 4 | 14MB66 | ¾ | 20 | Butt-weld DIN-EN 10220 | ICFS 15 ⁽¹⁾ | ICFF 15 ⁽¹⁾ | ICM 20-B66 | ICFS 20 | 6.8 | 15 | 027L4553 |
| ICF 20 | 4 | 14MB66 | ¾ | 20 | Butt-weld DIN-EN 10220 | ICFS 20 | ICFF 20 | ICM 20-B66 | ICFS 20 | 7.2 | 15.8 | 027L4155 |
| ICF 15 | 4 | 14MB | ¾ | 20 | Butt-weld DIN-EN 10220 | ICFS 15 ⁽¹⁾ | ICFF 15 ⁽¹⁾ | ICM 20-B | ICFS 20 | 6.8 | 15 | 027L4560 |
| ICF 20 | 4 | 14 MA33 | 1 | 25 | Butt-weld DIN-EN 10220 | ICFS 20 | ICFF 20 | ICM 20-A33 | ICFS 20 | 6.6 | 14.5 | 027L3365 |
| ICF 20 | 4 | 14MA | 1 | 25 | Butt-weld DIN-EN 10220 | ICFS 20 | ICFF 20 | ICM 20-A | ICFS 20 | 7.3 | 16.1 | 027L3097 |
| ICF 20 | 4 | 14MB66 | 1 | 25 | Butt-weld DIN-EN 10220 | ICFS 20 | ICFF 20 | ICM 20-B66 | ICFS 20 | 7.2 | 15.8 | 027L3356 |
| ICF 20 | 4 | 14MB | 1 | 25 | Butt-weld DIN-EN 10220 | ICFS 20 | ICFF 20 | ICM 20-B | ICFS 20 | 7.2 | 15.8 | 027L3103 |
| ICF 20 | 4 | 14MC | 1 | 25 | Butt-weld DIN-EN 10220 | ICFS 20 | ICFF 20 | ICM 20-C | ICFS 20 | 7.2 | 15.8 | 027L3108 |
| ICF 25 | 4 | 14MA | 1 | 25 | Butt-weld DIN-EN 10220 | ICFS 25 | ICFF 25 | ICM 25-A | ICFS 25 | 15.5 | 34.1 | 027L4103 |
| ICF 20 | 4 | 14MC | 1 ¼ | 32 | Butt-weld DIN-EN 10220 | ICFS 20 | ICFF 20 | ICM 20-C | ICFS 20 | 7.3 | 16.1 | 027L3109 |
| ICF 25 | 4 | 14MB | 1 ¼ | 32 | Butt-weld DIN-EN 10220 | ICFS 25 | ICFF 25 | ICM 25-B | ICFS 25 | 14.4 | 31.7 | 027L4112 |
| ICF 25 | 4 | 14MA | 1 ¼ | 32 | Butt-weld DIN-EN 10220 | ICFS 25 | ICFF 25 | ICM 25-A | ICFS 25 | 15.4 | 33.9 | 027L4107 |

Valve station, type ICF 15, ICF 20, ICF 25, ICF 50 and ICF 65

| Type | # of modules | Appl. # | Connection size | | Connection type | Module location | | | | Weight | | Code number |
|--------|--------------|---------|-----------------|------|-----------------------------------|------------------------|------------------------|----------|---------|--------|------|-------------|
| | | | [in.] | [mm] | | M1 | M2 | M3 | M4 | kg | lbs | |
| ICF 25 | 4 | 14MA | 1 ½ | 40 | Butt-weld DIN-EN 10220 | ICFS 25 | ICFF 25 | ICM 25-A | ICFS 25 | 15.3 | 33.7 | 027L4182 |
| ICF 25 | 4 | 14MB | 1 ½ | 40 | Butt-weld DIN-EN 10220 | ICFS 25 | ICFF 25 | ICM 25-B | ICFS 25 | 15.3 | 33.7 | 027L4117 |
| ICF 15 | 4 | 14MA | ½ | 15 | Socket weld, ANSI (B 16.11) | ICFS 15 ⁽¹⁾ | ICFF 15 ⁽¹⁾ | ICM 20-A | ICFS 20 | 6.8 | 15 | 027L4531 |
| ICF 15 | 4 | 14MB | ½ | 15 | Socket weld, ANSI (B 16.11) | ICFS 15 ⁽¹⁾ | ICFF 15 ⁽¹⁾ | ICM 20-B | ICFS 20 | 6.8 | 15 | 027L4583 |
| ICF 15 | 4 | 14MB | ¾ | 20 | Socket weld, ANSI (B 16.11) | ICFS 15 ⁽¹⁾ | ICFF 15 ⁽¹⁾ | ICM 20-B | ICFS 20 | 6.8 | 15 | 027L4623 |
| ICF 15 | 4 | 14MA | ¾ | 20 | Socket weld, ANSI (B 16.11) | ICFS 15 ⁽¹⁾ | ICFF 15 ⁽¹⁾ | ICM 20-A | ICFS 20 | 6.8 | 15 | 027L4616 |
| ICF 20 | 4 | 14MA | ¾ | 20 | Socket weld, ANSI (B 16.11) | ICFS 20 | ICFF 20E | ICM 20-A | ICFS 20 | 7.5 | 16.5 | 027L3099 |
| ICF 20 | 4 | 14MA | 1 | 25 | Socket weld, ANSI (B 16.11) | ICFS 20 | ICFF 20E | ICM 20-A | ICFS 20 | 6.7 | 14.7 | 027L3101 |
| ICF 20 | 4 | 14MB | 1 | 25 | Socket weld, ANSI (B 16.11) | ICFS 20 | ICFF 20E | ICM 20-B | ICFS 20 | 6.7 | 14.7 | 027L3106 |
| ICF 25 | 4 | 14MB | 1 | 25 | Socket weld, ANSI (B 16.11) | ICFS 25 | ICFF 25 | ICM 25-B | ICFS 25 | 14.4 | 31.7 | 027L4188 |
| ICF 25 | 4 | 14MB | 1 ¼ | 32 | Socket weld, ANSI (B 16.11) | ICFS 25 | ICFF 25E | ICM 25-B | ICFS 25 | 17.3 | 38.1 | 027L4114 |
| ICF 25 | 4 | 14MB | 1 ½ | 40 | Socket weld, ANSI (B 16.11) | ICFS 25 | ICFF 25E | ICM 25-B | ICFS 25 | 16.6 | 36.6 | 027L4118 |
| ICF 20 | 4 | 14MC | 1 | 25 | Socket weld, ANSI (B 16.11) | ICFS 20 | ICFF 20E | ICM 20-C | ICFS 20 | 6.7 | 14.7 | 027L3112 |
| ICF 25 | 4 | 14MA | 1 | 25 | Socket weld, ANSI (B 16.11) | ICFS 25 | ICFF 25E | ICM 25-A | ICFS 25 | 15.8 | 34.8 | 027L4104 |
| ICF 20 | 4 | 14MC | 1 ¼ | 32 | Socket weld, ANSI (B 16.11) | ICFS 20 | ICFF 20E | ICM 20-C | ICFS 20 | 7.4 | 16.3 | 027L3113 |
| ICF 25 | 4 | 14MA | 1 ¼ | 32 | Socket weld, ANSI (B 16.11) | ICFS 25 | ICFF 25E | ICM 25-A | ICFS 25 | 15.6 | 34.3 | 027L4109 |
| ICF 25 | 4 | 14MA | 1 ½ | 40 | Socket weld, ANSI (B 16.11) | ICFS 25 | ICFF 25E | ICM 25-A | ICFS 25 | 15.8 | 34.8 | 027L4140 |

⁽¹⁾ Fixed module

Hot gas defrost

Table 84: Application 9: Hot gas defrost

| Type | # of modules | Appl. # | Connection size | | Connection type | Module location | | | | Weight | | Code number |
|--------|--------------|---------|-----------------|------|-----------------------------|------------------------|------------------------|----------|---------|--------|------|-------------|
| | | | [in.] | [mm] | | M1 | M2 | M3 | M4 | kg | lbs | |
| ICF 20 | 4 | 9 | ¾ | 20 | Butt-weld ANSI (B 36.10) | ICFS 20 | ICFF 20 | ICFE 20 | ICFS 20 | 7.2 | 15.8 | 027L3069 |
| ICF 15 | 4 | 9H | ¾ | 20 | Butt-weld ANSI (B 36.10) | ICFS 15 ⁽¹⁾ | ICFF 15 ⁽¹⁾ | ICFE 20H | ICFS 20 | 7.2 | 15.4 | 027L4554 |
| ICF 15 | 4 | 9 | ½ | 15 | Butt-weld DIN-EN 10220 | ICFS 15 ⁽¹⁾ | ICFF 15 ⁽¹⁾ | ICFE 20 | ICFS 20 | 6.3 | 13.9 | 027L4543 |
| ICF 15 | 4 | 9H | ½ | 15 | Butt-weld DIN-EN 10220 | ICFS 15 ⁽¹⁾ | ICFF 15 ⁽¹⁾ | ICFE 20H | ICFS 20 | 7.2 | 15.4 | 027L4541 |
| ICF 15 | 4 | 9 | ¾ | 20 | Butt-weld DIN-EN 10220 | ICFS 15 ⁽¹⁾ | ICFF 15 ⁽¹⁾ | ICFE 20 | ICFS 20 | 6.3 | 13.9 | 027L4571 |
| ICF 20 | 4 | 9 | ¾ | 20 | Butt-weld DIN-EN 10220 | ICFS 20 | ICFF 20 | ICFE 20 | ICFS 20 | 6.7 | 14.7 | 027L3120 |
| ICF 15 | 4 | 9H | ¾ | 20 | Butt-weld DIN-EN 10220 | ICFS 15 ⁽¹⁾ | ICFF 15 ⁽¹⁾ | ICFE 20H | ICFS 20 | 7.2 | 15.4 | 027L4521 |
| ICF 20 | 4 | 9 | 1 | 25 | Butt-weld DIN-EN 10220 | ICFS 20 | ICFF 20 | ICFE 20 | ICFS 20 | 7.2 | 15.8 | 027L3067 |
| ICF 20 | 4 | 9H | 1 | 25 | Butt-weld DIN-EN 10220 | ICFS 20 | ICFF 20 | ICFE 20H | ICFS 20 | 8.2 | 18 | 027L3333 |
| ICF 25 | 4 | 9 | 1 | 25 | Butt-weld DIN-EN 10220 | ICFS 25 | ICFF 25 | ICFE 25 | ICFS 25 | 15.8 | 34.8 | 027L4063 |
| ICF 20 | 4 | 9 | 1 ¼ | 32 | Butt-weld DIN-EN 10220 | ICFS 20 | ICFF 20 | ICFE 20 | ICFS 20 | 6.8 | 15 | 027L3068 |
| ICF 20 | 4 | 9H | 1 ¼ | 32 | Butt-weld DIN-EN 10220 | ICFS 20 | ICFF 20 | ICFE 20H | ICFS 20 | 7.6 | 16.7 | 027L3334 |
| ICF 25 | 4 | 9 | 1 ¼ | 32 | Butt-weld DIN-EN 10220 | ICFS 25 | ICFF 25 | ICFE 25 | ICFS 25 | 15.7 | 34.5 | 027L4067 |
| ICF 25 | 4 | 9 | 1 ½ | 40 | Butt-weld DIN-EN 10220 | ICFS 25 | ICFF 25 | ICFE 25 | ICFS 25 | 15.7 | 34.5 | 027L4072 |
| ICF 15 | 4 | 9 | ½ | 15 | Socket weld, ANSI (B 16.11) | ICFS 15 ⁽¹⁾ | ICFF 15 ⁽¹⁾ | ICFE 20 | ICFS 20 | 6.3 | 13.9 | 027L4538 |
| ICF 15 | 4 | 9H | ½ | 15 | Socket weld, ANSI (B 16.11) | ICFS 15 ⁽¹⁾ | ICFF 15 ⁽¹⁾ | ICFE 20H | ICFS 20 | 7.2 | 15.4 | 027L4527 |
| ICF 15 | 4 | 9 | ¾ | 20 | Socket weld, ANSI (B 16.11) | ICFS 15 ⁽¹⁾ | ICFF 15 ⁽¹⁾ | ICFE 20 | ICFS 20 | 6.3 | 13.9 | 027L4618 |
| ICF 15 | 4 | 9H | ¾ | 20 | Socket weld, ANSI (B 16.11) | ICFS 15 ⁽¹⁾ | ICFF 15 ⁽¹⁾ | ICFE 20H | ICFS 20 | 7.2 | 15.4 | 027L4612 |
| ICF 20 | 4 | 9H | ¾ | 20 | Socket weld, ANSI (B 16.11) | ICFS 20 | ICFF 20E | ICFE 20H | ICFS 20 | 8 | 17.6 | 027L3351 |
| ICF 20 | 4 | 9 | 1 | 25 | Socket weld, ANSI (B 16.11) | ICFS 20 | ICFF 20E | ICFE 20 | ICFS 20 | 7 | 15.4 | 027L3071 |
| ICF 20 | 4 | 9H | 1 | 25 | Socket weld, ANSI (B 16.11) | ICFS 20 | ICFF 20E | ICFE 20H | ICFS 20 | 8.1 | 17.8 | 027L3336 |
| ICF 25 | 4 | 9 | 1 | 25 | Socket weld, ANSI (B 16.11) | ICFS 25 | ICFF 25E | ICFE 25 | ICFS 25 | 16 | 35.2 | 027L4064 |

Valve station, type ICF 15, ICF 20, ICF 25, ICF 50 and ICF 65

| Type | # of modules | Appl. # | Connection size | | Connection type | Module location | | | | Weight | | Code number |
|--------|--------------|---------|-----------------|------|-----------------------------|-----------------|----------|----------|---------|--------|------|-------------|
| | | | [in.] | [mm] | | M1 | M2 | M3 | M4 | kg | lbs | |
| ICF 20 | 4 | 9 | 1 ¼ | 32 | Socket weld, ANSI (B 16.11) | ICFS 20 | ICFF 20E | ICFE 20 | ICFS 20 | 7.4 | 16.3 | 027L3072 |
| ICF 20 | 4 | 9H | 1 ¼ | 32 | Socket weld, ANSI (B 16.11) | ICFS 20 | ICFF 20E | ICFE 20H | ICFS 20 | 7.9 | 17.4 | 027L3337 |
| ICF 25 | 4 | 9 | 1 ¼ | 32 | Socket weld, ANSI (B 16.11) | ICFS 25 | ICFF 25E | ICFE 25 | ICFS 25 | 16 | 35.2 | 027L4069 |
| ICF 25 | 4 | 9 | 1 ½ | 40 | Socket weld, ANSI (B 16.11) | ICFS 25 | ICFF 25E | ICFE 25 | ICFS 25 | 16.1 | 35.4 | 027L4073 |

⁽¹⁾ Fixed module

Hot gas defrost (ICF 50 only)

Table 85: Application 47: Hot gas defrost - On/Off 2-step solenoid (ICF 50 only)

| Type | # of modules | Appl. # | Connection size | | Connection type | Module location | | | | Weight | | Code number | |
|--------|--------------|---------|-----------------|------|-----------------------------|-----------------|----------|--------|------------|----------|------|-------------|----------|
| | | | [in.] | [mm] | | M1 | M2 | M3 | M4 | kg | lbs | | |
| ICF 50 | 4 | 47 | 1 ½ | 40 | Socket weld, ANSI (B 16.11) | S | SVA-S 50 | FIA 50 | ICSH 50-32 | SVA-S 50 | 25.8 | 56.8 | 027L5070 |
| ICF 50 | 4 | 47 | 1 ½ | 40 | Socket weld, ANSI (B 16.11) | S | SVA-S 50 | FIA 50 | ICSH 50-40 | SVA-S 50 | 25.8 | 56.8 | 027L5071 |
| ICF 50 | 4 | 47 | 2 | 50 | Socket weld, ANSI (B 16.11) | S | SVA-S 50 | FIA 50 | ICSH 50-40 | SVA-S 50 | 25.8 | 56.8 | 027L5072 |
| ICF 50 | 4 | 47 | 2 | 50 | Socket weld, ANSI (B 16.11) | S | SVA-S 50 | FIA 50 | ICSH 50 | SVA-S 50 | 25.8 | 56.8 | 027L5073 |

Table 86: Application 48: Hot gas defrost - On/Off 2-step solenoid + manual Regulating (ICF 50 only)

| Type | # of modules | Appl. # | Connection size | | Connection type | Module location | | | | Weight | | Code number | |
|--------|--------------|---------|-----------------|------|-----------------------------|-----------------|----------|--------|------------|-----------|------|-------------|----------|
| | | | [in.] | [mm] | | M1 | M2 | M3 | M4 | kg | lbs | | |
| ICF 50 | 4 | 48 | 1 ½ | 40 | Socket weld, ANSI (B 16.11) | S | SVA-S 50 | FIA 50 | ICSH 50-32 | REG-SB 50 | 25.8 | 56.8 | 027L5074 |

Solenoid multiple evaporators

Table 87: Application 11: Solenoid - Multiple evaporators

| Type | # of modules | Appl. # | Connection size | | Connection type | Module location | | | | Weight | | Code number |
|--------|--------------|---------|-----------------|------|--------------------------|------------------------|------------------------|-----------|---------|--------|------|-------------|
| | | | [in.] | [mm] | | M1 | M2 | M3 | M4 | kg | lbs | |
| ICF 20 | 4 | 11 | ¾ | 20 | Butt-weld ANSI (B 36.10) | ICFS 20 | ICFF 20 | ICFE 20 | ICFC 20 | 6.5 | 14.3 | 027L3085 |
| ICF 15 | 4 | 11 | ½ | 15 | Butt-weld DIN-EN 10220 | ICFS 15 ⁽¹⁾ | ICFF 15 ⁽¹⁾ | ICFE 20 | ICFC 20 | 6.5 | 14.3 | 027L4539 |
| ICF 15 | 4 | 11 | ¾ | 20 | Butt-weld DIN-EN 10220 | ICFS 15 ⁽¹⁾ | ICFF 15 ⁽¹⁾ | ICFE 20 | ICFC 20 | 6.5 | 14.3 | 027L4547 |
| ICF 15 | 4 | 11H | ¾ | 20 | Butt-weld DIN-EN 10220 | ICFS 15 ⁽¹⁾ | ICFF 15 ⁽¹⁾ | ICFE 20-H | ICFC 20 | 7.2 | 15.8 | 027L4546 |
| ICF 20 | 4 | 11 | ¾ | 20 | Butt-weld DIN-EN 10220 | ICFS 20 | ICFF 20 | ICFE 20 | ICFC 20 | 6.4 | 14.1 | 027L4580 |
| ICF 20 | 4 | 11 | 1 | 25 | Butt-weld DIN-EN 10220 | ICFS 20 | ICFF 20 | ICFE 20 | ICFC 20 | 6.4 | 14.1 | 027L3083 |

Valve station, type ICF 15, ICF 20, ICF 25, ICF 50 and ICF 65

| Type | # of modules | Appl. # | Connection size | | Connection type | Module location | | | | Weight | | Code number |
|--------|--------------|---------|-----------------|------|-----------------------------------|-----------------|----------|----------|---------|--------|------|-------------|
| | | | [in.] | [mm] | | M1 | M2 | M3 | M4 | kg | lbs | |
| ICF 20 | 4 | 11H | 1 | 25 | Butt-weld DIN-EN 10220 | ICFS 20 | ICFF 20 | ICFE 20H | ICFC 20 | 8 | 17.6 | 027L3345 |
| ICF 20 | 4 | 11 | 1 ¼ | 32 | Butt-weld DIN-EN 10220 | ICFS 20 | ICFF 20 | ICFE 20 | ICFC 20 | 6.5 | 14.3 | 027L3084 |
| ICF 20 | 4 | 11H | 1 ¼ | 32 | Butt-weld DIN-EN 10220 | ICFS 20 | ICFF 20 | ICFE 20H | ICFC 20 | 7.4 | 16.3 | 027L3346 |
| ICF 25 | 4 | 11 | 1 ¼ | 32 | Butt-weld DIN-EN 10220 | ICFS 25 | ICFF 25 | ICFE 25 | ICFC 25 | 14.9 | 32.8 | 027L4094 |
| ICF 25 | 4 | 11 | 1 ½ | 40 | Butt-weld DIN-EN 10220 | ICFS 25 | ICFF 25 | ICFE 25 | ICFC 25 | 13.7 | 30.1 | 027L4099 |
| ICF 20 | 4 | 11 | 1 | 25 | Socket weld, ANSI (B 16.11) | ICFS 20 | ICFF 20E | ICFE 20 | ICFC 20 | 6.9 | 15.2 | 027L3087 |
| ICF 20 | 4 | 11H | 1 | 25 | Socket weld, ANSI (B 16.11) | ICFS 20 | ICFF 20E | ICFE 20H | ICFC 20 | 8 | 17.6 | 027L3348 |
| ICF 20 | 4 | 11 | 1 ¼ | 32 | Socket weld, ANSI (B 16.11) | ICFS 20 | ICFF 20E | ICFE 20 | ICFC 20 | 6.7 | 14.7 | 027L3088 |
| ICF 20 | 4 | 11H | 1 ¼ | 32 | Socket weld, ANSI (B 16.11) | ICFS 20 | ICFF 20E | ICFE 20H | ICFC 20 | 7.4 | 16.3 | 027L3349 |
| ICF 25 | 4 | 11 | 1 ¼ | 32 | Socket weld, ANSI (B 16.11) | ICFS 25 | ICFF 25E | ICFE 25 | ICFC 25 | 13 | 28.6 | 027L4096 |
| ICF 25 | 4 | 11 | 1 ½ | 40 | Socket weld, ANSI (B 16.11) | ICFS 25 | ICFF 25E | ICFE 25 | ICFC 25 | 14.3 | 31.5 | 027L4100 |

⁽¹⁾ Fixed module

Table 88: Application 18: Solenoid - Multiple evaporators

| Type | # of modules | Appl. # | Connection size | | Connection type | Module location | | | | Weight | | Code number |
|--------|--------------|---------|-----------------|------|--------------------------------|------------------------|------------------------|-----------|---------|--------|------|-------------|
| | | | [in.] | [mm] | | M1 | M2 | M3 | M4 | kg | lbs | |
| ICF 15 | 4 | 18H | ¾ | 20 | Butt-weld ANSI (B 36.10) | ICFS 15 ⁽¹⁾ | ICFF 15 ⁽¹⁾ | ICFE 20-H | ICFN 20 | 7.2 | 15.8 | 027L4572 |
| ICF 15 | 4 | 18H | ½ | 15 | Butt-weld DIN-EN 10220 | ICFS 15 ⁽¹⁾ | ICFF 15 ⁽¹⁾ | ICFE 20-H | ICFN 20 | 7.2 | 15.8 | 027L4542 |
| ICF 15 | 4 | 18H | ¾ | 20 | Butt-weld DIN-EN 10220 | ICFS 15 ⁽¹⁾ | ICFF 15 ⁽¹⁾ | ICFE 20-H | ICFN 20 | 7.2 | 15.8 | 027L4550 |
| ICF 20 | 4 | 18 | 1 | 25 | Butt-weld DIN-EN 10220 | ICFS 20 | ICFF 20E | ICFE 20 | ICFN 20 | 7.3 | 16 | 027L3438 |
| ICF 25 | 4 | 18 | 1 | 25 | Butt-weld DIN-EN 10220 | ICFS 25 | ICFF 25 | ICFE 25 | ICFN 25 | 15.8 | 34.8 | 027L4175 |
| ICF 25 | 4 | 18 | 1 ¼ | 32 | Butt-weld DIN-EN 10220 | ICFS 25 | ICFF 25 | ICFE 25 | ICFN 25 | 16.6 | 36.5 | 027L4164 |
| ICF 25 | 4 | 18 | 1 ¼ | 32 | Butt-weld DIN-EN 10220 | ICFS 25 | ICFF 25E | ICFE 25 | ICFN 25 | 16.6 | 36.5 | 027L4575 |
| ICF 25 | 4 | 18 | 1 ½ | 40 | Butt-weld DIN-EN 10220 | ICFS 25 | ICFF 25 | ICFE 25 | ICFN 25 | 16.6 | 36.5 | 027L4165 |
| ICF 25 | 4 | 18 | 1 ½ | 40 | Butt-weld DIN-EN 10220 | ICFS 25 | ICFF 25E | ICFE 25 | ICFN 25 | 16.6 | 36.6 | 027L4177 |

Valve station, type ICF 15, ICF 20, ICF 25, ICF 50 and ICF 65

| Type | # of modules | Appl. # | Connection size | | Connection type | Module location | | | | Weight | | Code number |
|--------|--------------|---------|-----------------|------|-----------------------------|------------------------|------------------------|-----------|---------|--------|------|-------------|
| | | | [in.] | [mm] | | M1 | M2 | M3 | M4 | kg | lbs | |
| ICF 15 | 4 | 18 | ½ | 15 | Socket weld, ANSI (B 16.11) | ICFS 15 ⁽¹⁾ | ICFF 15 ⁽¹⁾ | ICFE 20 | ICFN 20 | 6.5 | 14.3 | 027L4558 |
| ICF 15 | 4 | 18H | ½ | 15 | Socket weld, ANSI (B 16.11) | ICFS 15 ⁽¹⁾ | ICFF 15 ⁽¹⁾ | ICFE 20-H | ICFN 20 | 7.2 | 15.8 | 027L4557 |
| ICF 15 | 4 | 18 | ¾ | 20 | Socket weld, ANSI (B 16.11) | ICFS 15 ⁽¹⁾ | ICFF 15 ⁽¹⁾ | ICFE 20 | ICFN 20 | 6.5 | 14.3 | 027L4621 |
| ICF 15 | 4 | 18H | ¾ | 20 | Socket weld, ANSI (B 16.11) | ICFS 15 ⁽¹⁾ | ICFF 15 ⁽¹⁾ | ICFE 20-H | ICFN 20 | 7.2 | 15.8 | 027L4620 |
| ICF 15 | 4 | 18 | ¾ | 20 | Socket weld, ANSI (B 16.11) | ICFS 20 | ICFF 20E | ICFE 20H | ICFN 20 | 8 | 17.6 | 027L3353 |
| ICF 25 | 4 | 18 | 1 | 25 | Socket weld, ANSI (B 16.11) | ICFS 25 | ICFF 25E | ICFE 25 | ICFN 25 | 16.9 | 37.2 | 027L4136 |
| ICF 20 | 4 | 18H | 1 | 25 | Socket weld, ANSI (B 16.11) | ICFS 20 | ICFF 20E | ICFE 20H | ICFN 20 | 8 | 17.6 | 027L3354 |
| ICF 20 | 4 | 18H | 1 ¼ | 32 | Socket weld, ANSI (B 16.11) | ICFS 20 | ICFF 20E | ICFE 20H | ICFN 20 | 8 | 17.6 | 027L3355 |
| ICF 25 | 4 | 18 | 1 ¼ | 32 | Socket weld, ANSI (B 16.11) | ICFS 25 | ICFF 25E | ICFE 25 | ICFN 25 | 16 | 35.2 | 027L4137 |
| ICF 25 | 4 | 18 | 1 ½ | 40 | Socket weld, ANSI (B 16.11) | ICFS 25 | ICFF 25E | ICFE 25 | ICFN 25 | 16.2 | 35.6 | 027L4138 |

⁽¹⁾ Fixed module

Liquid PWM

Table 89: Application 13: Liquid injection & liquid feed PWM

| Type | # of modules | Appl. # | Connection size | | Connection type | Module location | | | | Weight | | Code number |
|--------|--------------|---------|-----------------|------|-----------------------------|------------------------|------------------------|---------|---------|--------|------|-------------|
| | | | [in.] | [mm] | | M1 | M2 | M3 | M4 | kg | lbs | |
| ICF 15 | 4 | 13 | ¾ | 20 | Butt-weld ANSI (B 36.10) | ICFS 15 ⁽¹⁾ | ICFF 15 ⁽¹⁾ | ICFA 20 | ICFN 20 | 6.2 | 13.7 | 027L4555 |
| ICF 15 | 4 | 13 | ¾ | 20 | Butt-weld DIN-EN 10220 | ICFS 15 ⁽¹⁾ | ICFF 15 ⁽¹⁾ | ICFA 20 | ICFN 20 | 6.2 | 13.7 | 027L4523 |
| ICF 20 | 4 | 13 | ¾ | 20 | Butt-weld DIN-EN 10220 | ICFS 20 | ICFF 20 | ICFA 20 | ICFN 20 | 6.8 | 15 | 027L3092 |
| ICF 15 | 4 | 13 | ½ | 15 | Socket weld, ANSI (B 16.11) | ICFS 15 ⁽¹⁾ | ICFF 15 ⁽¹⁾ | ICFA 20 | ICFN 20 | 6.2 | 13.7 | 027L4529 |
| ICF 15 | 4 | 13 | ¾ | 20 | Socket weld, ANSI (B 16.11) | ICFS 15 ⁽¹⁾ | ICFF 15 ⁽¹⁾ | ICFA 20 | ICFN 20 | 6.2 | 13.7 | 027L4614 |
| ICF 20 | 4 | 13 | ¾ | 20 | Socket weld, ANSI (B 16.11) | ICFS 20 | ICFF 20E | ICFA 20 | ICFN 20 | 6.8 | 15 | 027L3094 |
| ICF 15 | 4 | 13 | 7/8 | 22 | Solder DIN-EN1254-1 | ICFS 15 ⁽¹⁾ | ICFF 15 ⁽¹⁾ | ICFA20 | ICFN20 | 6.2 | 13.7 | 027L4582 |

⁽¹⁾ Fixed module

Return lines

Table 90: Application 41: Return lines - ON/OFF

| Type | # of modules | Appl. # | Connection size | | Connection type | Module location | | | | Weight | | Code number |
|--------|--------------|---------|-----------------|------|-----------------------------|-------------------|---------|---------|----------|--------|------|-------------|
| | | | [in.] | [mm] | | M1 ⁽¹⁾ | M2 | M3 | M4 | kg | lbs | |
| ICF 50 | 4 | 41 | 1 ½ | 40 | Butt-weld DIN-EN 10220 | SVA-S 50 | ICFB 50 | ICLX 50 | SVA-S 50 | 25.5 | 56.1 | 027L5021 |
| ICF 50 | 4 | 41 | 2 | 50 | Butt-weld DIN-EN 10220 | SVA-S 50 | ICFB 50 | ICLX 50 | SVA-S 50 | 25.5 | 56.1 | 027L5023 |
| ICF 50 | 4 | 41 | 1 ½ | 40 | Socket weld, ANSI (B 16.11) | SVA-S 50 | ICFB 50 | ICLX 50 | SVA-S 50 | 25.5 | 56.1 | 027L5022 |
| ICF 50 | 4 | 41 | 2 | 50 | Socket weld, ANSI (B 16.11) | SVA-S 50 | ICFB 50 | ICLX 50 | SVA-S 50 | 25.5 | 56.1 | 027L5024 |
| ICF 65 | 3 | 41 | 2 ½ | 65 | Butt-weld ANSI (B 36.19) | SVA-S 65 | | ICLX 65 | SVA-S 65 | 32.7 | 71.9 | 027L6522 |
| ICF 65 | 3 | 41 | 3 | 80 | Butt-weld ANSI (B 36.19) | SVA-S 65 | | ICLX 65 | SVA-S 65 | 32.7 | 71.9 | 027L6524 |
| ICF 65 | 3 | 41 | 2 ½ | 65 | Butt-weld DIN-EN 10220 | SVA-S 65 | | ICLX 65 | SVA-S 65 | 32.7 | 71.9 | 027L6521 |
| ICF 65 | 3 | 41 | 3 | 80 | Butt-weld DIN-EN 10220 | SVA-S 65 | | ICLX 65 | SVA-S 65 | 32.7 | 71.9 | 027L6523 |

Table 91: Application 42: Return lines - Pressure (temperature) - Mechanical control

| Type | # of modules | Appl. # | Connection size | | Connection type | Module location | | | | | | Weight | | Code number |
|--------|--------------|---------|-----------------|------|-----------------------------|-------------------|----------|------------|---------|---------|---------|--------|------|-------------|
| | | | [in.] | [mm] | | M1 ⁽¹⁾ | M2 | M3 | M4 | M5 | M6 | kg | lbs | |
| ICF 25 | 4 | 42G5 | 1 | 25 | Socket weld, ANSI (B 16.11) | ICFS 25 | ICFF 25E | ICFG 25-5 | ICFS 25 | | | 19 | 41.9 | 027L4230 |
| ICF 25 | 4 | 42G10 | 1 | 25 | Socket weld, ANSI (B 16.11) | ICFS 25 | ICFF 25E | ICFG 25-10 | ICFS 25 | | | 19 | 41.9 | 027L4231 |
| ICF 25 | 4 | 42G15 | 1 | 25 | Socket weld, ANSI (B 16.11) | ICFS 25 | ICFF 25E | ICFG 25-15 | ICFS 25 | | | 19 | 41.9 | 027L4232 |
| ICF 25 | 4 | 42G15 | 1 ¼ | 32 | Socket weld, ANSI (B 16.11) | ICFS 25 | ICFF 25E | ICFG 25-15 | ICFS 25 | | | 19 | 41.9 | 027L4233 |
| ICF 25 | 4 | 42G20 | 1 | 25 | Socket weld, ANSI (B 16.11) | ICFS 25 | ICFF 25E | ICFG 25-20 | ICFS 25 | | | 19 | 41.9 | 027L4234 |
| ICF 25 | 4 | 42G20 | 1 ¼ | 32 | Socket weld, ANSI (B 16.11) | ICFS 25 | ICFF 25E | ICFG 25-20 | ICFS 25 | | | 19 | 41.9 | 027L4235 |
| ICF 25 | 4 | 42G25 | 1 ¼ | 32 | Socket weld, ANSI (B 16.11) | ICFS 25 | ICFF 25E | ICFG 25-25 | ICFS 25 | | | 19 | 41.9 | 027L4236 |
| ICF 25 | 4 | 42G25 | 1 ½ | 40 | Socket weld, ANSI (B 16.11) | ICFS 25 | ICFF 25E | ICFG 25-25 | ICFS 25 | | | 19 | 41.9 | 027L4237 |
| ICF 25 | 6 | 42G5 | 1 | 25 | Socket weld, ANSI (B 16.11) | ICFS 25 | ICFF 25E | ICFG 25-5 | ICFC 25 | ICFB 25 | ICFS 25 | 26 | 57.3 | 027L4240 |
| ICF 25 | 6 | 42G10 | 1 | 25 | Socket weld, ANSI (B 16.11) | ICFS 25 | ICFF 25E | ICFG 25-10 | ICFC 25 | ICFB 25 | ICFS 25 | 26 | 57.3 | 027L4241 |
| ICF 25 | 6 | 42G15 | 1 | 25 | Socket weld, ANSI (B 16.11) | ICFS 25 | ICFF 25E | ICFG 25-15 | ICFC 25 | ICFB 25 | ICFS 25 | 26 | 57.3 | 027L4242 |
| ICF 25 | 6 | 42G20 | 1 | 25 | Socket weld, ANSI (B 16.11) | ICFS 25 | ICFF 25E | ICFG 25-20 | ICFC 25 | ICFB 25 | ICFS 25 | 26 | 57.3 | 027L4243 |

Valve station, type ICF 15, ICF 20, ICF 25, ICF 50 and ICF 65

| Type | # of modules | Appl. # | Connection size | | Connection type | Module location | | | | | | Weight | | Code number |
|--------|--------------|---------|-----------------|------|-----------------------------|-------------------|----------|------------|----------|---------|---------|--------|------|-------------|
| | | | [in.] | [mm] | | M1 ⁽¹⁾ | M2 | M3 | M4 | M5 | M6 | kg | lbs | |
| ICF 25 | 6 | 42G25 | 1 | 25 | Socket weld, ANSI (B 16.11) | ICFS 25 | ICFF 25E | ICFG 25-25 | ICFC 25 | ICFB 25 | ICFS 25 | 26 | 57.3 | 027L4244 |
| ICF 25 | 6 | 42G15 | 1 ¼ | 32 | Socket weld, ANSI (B 16.11) | ICFS 25 | ICFF 25E | ICFG 25-15 | ICFC 25 | ICFB 25 | ICFS 25 | 26 | 57.3 | 027L4245 |
| ICF 25 | 6 | 42G20 | 1 ¼ | 32 | Socket weld, ANSI (B 16.11) | ICFS 25 | ICFF 25E | ICFG 25-20 | ICFC 25 | ICFB 25 | ICFS 25 | 26 | 57.3 | 027L4246 |
| ICF 50 | 4 | 42S50 | 1 ½ | 40 | Butt-weld DIN-EN 10220 | SVA-S 50 | ICFB 50 | ICS 50 | SVA-S 50 | | | 25.8 | 56.8 | 027L5001 |
| ICF 50 | 4 | 42S32 | 1 ½ | 40 | Butt-weld DIN-EN 10220 | SVA-S 50 | ICFB 50 | ICS 50-32 | SVA-S 50 | | | 25.8 | 56.8 | 027L5005 |
| ICF 50 | 4 | 42S40 | 1 ½ | 40 | Butt-weld DIN-EN 10220 | SVA-S 50 | ICFB 50 | ICS 50-40 | SVA-S 50 | | | 25.8 | 56.8 | 027L5009 |
| ICF 50 | 4 | 42S50 | 2 | 50 | Butt-weld DIN-EN 10220 | SVA-S 50 | ICFB 50 | ICS 50 | SVA-S 50 | | | 25.8 | 56.8 | 027L5003 |
| ICF 50 | 4 | 42S32 | 2 | 50 | Butt-weld DIN-EN 10220 | SVA-S 50 | ICFB 50 | ICS 50-32 | SVA-S 50 | | | 25.8 | 56.8 | 027L5007 |
| ICF 50 | 4 | 42S40 | 2 | 50 | Butt-weld DIN-EN 10220 | SVA-S 50 | ICFB 50 | ICS 50-40 | SVA-S 50 | | | 25.8 | 56.8 | 027L5011 |
| ICF 50 | 4 | 42S50 | 1 ½ | 40 | Socket weld, ANSI (B 16.11) | SVA-S 50 | ICFB 50 | ICS 50 | SVA-S 50 | | | 25.8 | 56.8 | 027L5002 |
| ICF 50 | 4 | 42S32 | 1 ½ | 40 | Socket weld, ANSI (B 16.11) | SVA-S 50 | ICFB 50 | ICS 50-32 | SVA-S 50 | | | 25.8 | 56.8 | 027L5006 |
| ICF 50 | 4 | 42S50 | 2 | 50 | Socket weld, ANSI (B 16.11) | SVA-S 50 | ICFB 50 | ICS 50 | SVA-S 50 | | | 25.8 | 56.8 | 027L5004 |
| ICF 50 | 4 | 42S32 | 2 | 50 | Socket weld, ANSI (B 16.11) | SVA-S 50 | ICFB 50 | ICS 50-32 | SVA-S 50 | | | 25.8 | 56.8 | 027L5008 |
| ICF 50 | 4 | 42S40 | 2 | 50 | Socket weld, ANSI (B 16.11) | SVA-S 50 | ICFB 50 | ICS 50-40 | SVA-S 50 | | | 25.8 | 56.8 | 027L5012 |
| ICF 65 | 3 | 42S65 | 2 ½ | 65 | Butt-weld ANSI (B 36.19) | SVA-S 65 | | ICS 65 | SVA-S 65 | | | 33.3 | 73.3 | 027L6502 |
| ICF 65 | 3 | 42S40 | 2 ½ | 65 | Butt-weld ANSI (B 36.19) | SVA-S 65 | | ICS 65-40 | SVA-S 65 | | | 33.3 | 73.3 | 027L6506 |
| ICF 65 | 3 | 42S80 | 2 ½ | 65 | Butt-weld ANSI (B 36.19) | SVA-S 65 | | ICS 80 | SVA-S 65 | | | 33.3 | 73.3 | 027L6510 |
| ICF 65 | 3 | 42S65 | 3 | 80 | Butt-weld ANSI (B 36.19) | SVA-S 65 | | ICS 65 | SVA-S 65 | | | 33.3 | 73.3 | 027L6504 |
| ICF 65 | 3 | 42S40 | 3 | 80 | Butt-weld ANSI (B 36.19) | SVA-S 65 | | ICS 65-40 | SVA-S 65 | | | 33.3 | 73.3 | 027L6508 |
| ICF 65 | 3 | 42S80 | 3 | 80 | Butt-weld ANSI (B 36.19) | SVA-S 65 | | ICS 80 | SVA-S 65 | | | 33.3 | 73.3 | 027L6512 |
| ICF 65 | 3 | 42S65 | 2 ½ | 65 | Butt-weld DIN-EN 10220 | SVA-S 65 | | ICS 65 | SVA-S 65 | | | 33.3 | 73.3 | 027L6501 |
| ICF 65 | 3 | 42S40 | 2 ½ | 65 | Butt-weld DIN-EN 10220 | SVA-S 65 | | ICS 65-40 | SVA-S 65 | | | 33.3 | 73.3 | 027L6505 |
| ICF 65 | 3 | 42S80 | 2 ½ | 65 | Butt-weld DIN-EN 10220 | SVA-S 65 | | ICS 80 | SVA-S 65 | | | 33.3 | 73.3 | 027L6509 |

Valve station, type ICF 15, ICF 20, ICF 25, ICF 50 and ICF 65

| Type | # of modules | Appl. # | Connection size | | Connection type | Module location | | | | | | Weight | | Code number |
|--------|--------------|---------|-----------------|------|------------------------------|-------------------|----|-----------|----------|----|----|--------|------|-------------|
| | | | [in.] | [mm] | | M1 ⁽¹⁾ | M2 | M3 | M4 | M5 | M6 | kg | lbs | |
| ICF 65 | 3 | 42S65 | 3 | 80 | Butt-weld DIN-EN 10220 | SVA-S 65 | | ICS 65 | SVA-S 65 | | | 33.3 | 73.3 | 027L6503 |
| ICF 65 | 3 | 42S40 | 3 | 80 | Butt-weld DIN-EN 10220 | SVA-S 65 | | ICS 65-40 | SVA-S 65 | | | 33.3 | 73.3 | 027L6507 |
| ICF 65 | 3 | 42S80 | 3 | 80 | Butt-weld DIN-EN 10220 | SVA-S 65 | | ICS 80 | SVA-S 65 | | | 33.3 | 73.3 | 027L6511 |

NOTE:

All ICS modules are 3-pilot versions. They are supplied with two blanking plugs (A) and one sealing plug (B) (see [Page 15](#)).

Table 92: Application 43: Return lines - Pressure (temperature) - Electronic control

| Type | # of modules | Appl. # | Connection size | | Connection type | Module location | | | | Weight | | Code number |
|--------|--------------|---------|-----------------|------|-----------------------------------|-------------------|---------|------------|----------|--------|------|-------------|
| | | | [in.] | [mm] | | M1 ⁽¹⁾ | M2 | M3 | M4 | kg | lbs | |
| ICF 50 | 4 | 43MA | 1 ½ | 40 | Butt-weld DIN-EN 10220 | SVA-S 50 | ICFB 50 | ICM 50 - A | SVA-S 50 | 24.8 | 54.6 | 027L5013 |
| ICF 50 | 4 | 43MB | 1 ½ | 40 | Butt-weld DIN-EN 10220 | SVA-S 50 | ICFB 50 | ICM 50 - B | SVA-S 50 | 24.8 | 54.6 | 027L5017 |
| ICF 50 | 4 | 43MA | 2 | 50 | Butt-weld DIN-EN 10220 | SVA-S 50 | ICFB 50 | ICM 50 - A | SVA-S 50 | 24.8 | 54.6 | 027L5015 |
| ICF 50 | 4 | 43MB | 2 | 50 | Butt-weld DIN-EN 10220 | SVA-S 50 | ICFB 50 | ICM 50 - B | SVA-S 50 | 24.8 | 54.6 | 027L5019 |
| ICF 50 | 4 | 43MA | 1 ½ | 40 | Socket weld, ANSI (B 16.11) | SVA-S 50 | ICFB 50 | ICM 50 - A | SVA-S 50 | 24.8 | 54.6 | 027L5014 |
| ICF 50 | 4 | 43MB | 1 ½ | 40 | Socket weld, ANSI (B 16.11) | SVA-S 50 | ICFB 50 | ICM 50 - B | SVA-S 50 | 24.8 | 54.6 | 027L5018 |
| ICF 50 | 4 | 43MA | 2 | 50 | Socket weld, ANSI (B 16.11) | SVA-S 50 | ICFB 50 | ICM 50 - A | SVA-S 50 | 24.8 | 54.6 | 027L5016 |
| ICF 50 | 4 | 43MB | 2 | 50 | Socket weld, ANSI (B 16.11) | SVA-S 50 | ICFB 50 | ICM 50 - B | SVA-S 50 | 24.8 | 54.6 | 027L5020 |
| ICF 65 | 3 | 43MA | 2 ½ | 65 | Butt-weld ANSI (B 36.19) | SVA-S 65 | | ICM 65 - A | SVA-S 65 | 32.9 | 72.4 | 027L6514 |
| ICF 65 | 3 | 43MB | 2 ½ | 65 | Butt-weld ANSI (B 36.19) | SVA-S 65 | | ICM 65 - B | SVA-S 65 | 32.9 | 72.4 | 027L6518 |
| ICF 65 | 3 | 43MA | 3 | 80 | Butt-weld ANSI (B 36.19) | SVA-S 65 | | ICM 65 - A | SVA-S 65 | 32.9 | 72.4 | 027L6516 |
| ICF 65 | 3 | 43MB | 3 | 80 | Butt-weld ANSI (B 36.19) | SVA-S 65 | | ICM 65 - B | SVA-S 65 | 32.9 | 72.4 | 027L6520 |
| ICF 65 | 3 | 43MA | 2 ½ | 65 | Butt-weld DIN-EN 10220 | SVA-S 65 | | ICM 65 - A | SVA-S 65 | 32.9 | 72.4 | 027L6513 |
| ICF 65 | 3 | 43MB | 2 ½ | 65 | Butt-weld DIN-EN 10220 | SVA-S 65 | | ICM 65 - B | SVA-S 65 | 32.9 | 72.4 | 027L6517 |
| ICF 65 | 3 | 43MA | 3 | 80 | Butt-weld DIN-EN 10220 | SVA-S 65 | | ICM 65 - A | SVA-S 65 | 32.9 | 72.4 | 027L6515 |
| ICF 65 | 3 | 43MB | 3 | 80 | Butt-weld DIN-EN 10220 | SVA-S 65 | | ICM 65 - B | SVA-S 65 | 32.9 | 72.4 | 027L6519 |

Valve station, type ICF 15, ICF 20, ICF 25, ICF 50 and ICF 65

Table 93: Application 44: ON/OFF 2-step solenoid + Manuel Regulating

| Type | # of modules | Appl. # | Connection size | | Connection type | Module location | | | | Weight | | Code number |
|--------|--------------|---------|-----------------|------|-----------------------------------|-------------------|---------|---------|----------|--------|------|-------------|
| | | | [in.] | [mm] | | M1 ⁽¹⁾ | M2 | M3 | M4 | kg | lbs | |
| ICF 50 | 4 | 44 | 1 ½ | 40 | Butt-weld DIN-EN 10220 | SVA-S 50 | ICFB 50 | ICLX 50 | REG 50-B | 25.5 | 56.1 | 027L5045 |
| ICF 50 | 4 | 44 | 2 | 50 | Butt-weld DIN-EN 10220 | SVA-S 50 | ICFB 50 | ICLX 50 | REG 50-B | 25.5 | 56.1 | 027L5046 |
| ICF 50 | 4 | 44 | 1 ½ | 40 | Socket weld, ANSI (B 16.11) | SVA-S 50 | ICFB 50 | ICLX 50 | REG 50-B | 25.5 | 56.1 | 027L5047 |
| ICF 50 | 4 | 44 | 2 | 50 | Socket weld, ANSI (B 16.11) | SVA-S 50 | ICFB 50 | ICLX 50 | REG 50-B | 25.5 | 56.1 | 027L5048 |

Table 94: Application 45: Pressure (temperature) Mechanical control + Manuel Regulating

| Type | # of modules | Appl. # | Connection size | | Connection type | Module location | | | | Weight | | Code number |
|--------|--------------|---------|-----------------|------|-----------------------------------|-------------------|---------|-----------|----------|--------|------|-------------|
| | | | [in.] | [mm] | | M1 ⁽¹⁾ | M2 | M3 | M4 | kg | lbs | |
| ICF 50 | 4 | 45S50 | 1 ½ | 40 | Butt-weld DIN-EN 10220 | SVA-S 50 | ICFB 50 | ICS 50 | REG 50-B | 25.8 | 56.8 | 027L5025 |
| ICF 50 | 4 | 45S32 | 1 ½ | 40 | Butt-weld DIN-EN 10220 | SVA-S 50 | ICFB 50 | ICS 50-32 | REG 50-B | 25.8 | 56.8 | 027L5029 |
| ICF 50 | 4 | 45S40 | 1 ½ | 40 | Butt-weld DIN-EN 10220 | SVA-S 50 | ICFB 50 | ICS 50-40 | REG 50-B | 25.8 | 56.8 | 027L5033 |
| ICF 50 | 4 | 45S50 | 2 | 50 | Butt-weld DIN-EN 10220 | SVA-S 50 | ICFB 50 | ICS 50 | REG 50-B | 25.8 | 56.8 | 027L5027 |
| ICF 50 | 4 | 45S32 | 2 | 50 | Butt-weld DIN-EN 10220 | SVA-S 50 | ICFB 50 | ICS 50-32 | REG 50-B | 25.8 | 56.8 | 027L5031 |
| ICF 50 | 4 | 45S40 | 2 | 50 | Butt-weld DIN-EN 10220 | SVA-S 50 | ICFB 50 | ICS 50-40 | REG 50-B | 25.8 | 56.8 | 027L5035 |
| ICF 50 | 4 | 45S50 | 1 ½ | 40 | Socket weld, ANSI (B 16.11) | SVA-S 50 | ICFB 50 | ICS 50 | REG 50-B | 25.8 | 56.8 | 027L5026 |
| ICF 50 | 4 | 45S32 | 1 ½ | 40 | Socket weld, ANSI (B 16.11) | SVA-S 50 | ICFB 50 | ICS 50-32 | REG 50-B | 25.8 | 56.8 | 027L5030 |
| ICF 50 | 4 | 45S40 | 1 ½ | 40 | Socket weld, ANSI (B 16.11) | SVA-S 50 | ICFB 50 | ICS 50-40 | REG 50-B | 25.8 | 56.8 | 027L5034 |
| ICF 50 | 4 | 45S50 | 2 | 50 | Socket weld, ANSI (B 16.11) | SVA-S 50 | ICFB 50 | ICS 50 | REG 50-B | 25.8 | 56.8 | 027L5028 |
| ICF 50 | 4 | 45S32 | 2 | 50 | Socket weld, ANSI (B 16.11) | SVA-S 50 | ICFB 50 | ICS 50-32 | REG 50-B | 25.8 | 56.8 | 027L5032 |
| ICF 50 | 4 | 45S40 | 2 | 50 | Socket weld, ANSI (B 16.11) | SVA-S 50 | ICFB 50 | ICS 50-40 | REG 50-B | 25.8 | 56.8 | 027L5036 |
| ICF 65 | 3 | 45S65 | 3 | 65 | Butt-weld DIN-EN 10220 | SVA-S 65 | | ICS 65 | REG 65-B | 33.3 | 73.3 | 027L6525 |
| ICF 65 | 3 | 45S65 | 3 | 65 | Butt-weld DIN-EN 10220 | SVA-S 65 | | ICS 80 | REG 65-B | 33.3 | 73.3 | 027L6526 |

NOTE:

All ICS modules are 3-pilot versions. They are supplied with two blanking plugs (A) and one sealing plug (B) (see [Page 15](#)).

Valve station, type ICF 15, ICF 20, ICF 25, ICF 50 and ICF 65

Table 95: Application 46: Pressure (temperature) Electronic control + Manual Regulating

| Type | # of modules | Appl. # | Connection size | | Connection type | Module location | | | | Weight | | Code number |
|--------|--------------|---------|-----------------|------|-----------------------------------|-------------------|---------|----------|----------|--------|------|-------------|
| | | | [in.] | [mm] | | M1 ⁽¹⁾ | M2 | M3 | M4 | kg | lbs | |
| ICF 50 | 4 | 46MA | 1 ½ | 40 | Butt-weld DIN-EN 10220 | SVA-S 50 | ICFB 50 | ICM 50-A | REG 50-B | 24.8 | 54.6 | 027L5037 |
| ICF 50 | 4 | 46MB | 1 ½ | 40 | Butt-weld DIN-EN 10220 | SVA-S 50 | ICFB 50 | ICM 50-B | REG 50-B | 24.8 | 54.6 | 027L5041 |
| ICF 50 | 4 | 46MA | 2 | 50 | Butt-weld DIN-EN 10220 | SVA-S 50 | ICFB 50 | ICM 50-A | REG 50-B | 24.8 | 54.6 | 027L5039 |
| ICF 50 | 4 | 46MB | 2 | 50 | Butt-weld DIN-EN 10220 | SVA-S 50 | ICFB 50 | ICM 50-B | REG 50-B | 24.8 | 54.6 | 027L5043 |
| ICF 50 | 4 | 46MA | 1 ½ | 40 | Socket weld, ANSI (B 16.11) | SVA-S 50 | ICFB 50 | ICM 50-A | REG 50-B | 24.8 | 54.6 | 027L5038 |
| ICF 50 | 4 | 46MB | 1 ½ | 40 | Socket weld, ANSI (B 16.11) | SVA-S 50 | ICFB 50 | ICM 50-B | REG 50-B | 24.8 | 54.6 | 027L5042 |
| ICF 50 | 4 | 46MA | 2 | 50 | Socket weld, ANSI (B 16.11) | SVA-S 50 | ICFB 50 | ICM 50-A | REG 50-B | 24.8 | 54.6 | 027L5040 |
| ICF 50 | 4 | 46MB | 2 | 50 | Socket weld, ANSI (B 16.11) | SVA-S 50 | ICFB 50 | ICM 50-B | REG 50-B | 24.8 | 54.6 | 027L5044 |

⁽¹⁾ Fixed module

Miscellaneous

Table 96: Application 90: Miscellaneous

| Type | # of modules | Appl. # | Connection size | | Connection type | Module location | | | | | | Weight | | Code number |
|--------|--------------|---------|-----------------|------|--------------------------------|-----------------|-----------|---------|----------|---------|---------|--------|------|-------------|
| | | | [in.] | [mm] | | M1 | M2 | M3 | M4 | M5 | M6 | kg | lbs | |
| ICF 20 | 4 | 90 | ¾ | 20 | Butt-weld ANSI (B 36.10) | ICFS 20 | ICFF 20E | ICFE 20 | ICFN 20 | | | 7.2 | 15.8 | 027L3371 |
| ICF 20 | 6 | 90 | 1 | 25 | Butt-weld ANSI (B 36.10) | ICFS 20 | ICFF 20 | ICFE 20 | ICFC 20 | ICFB 20 | ICFB 20 | 10.2 | 22.5 | 027L3420 |
| ICF 20 | 6 | 90 | 1 | 25 | Butt-weld ANSI (B 36.10) | ICFS 20 | ICFF 20 | ICFE 20 | ICFS 20 | ICFB 20 | ICFB 20 | 9.7 | 21.4 | 027L3421 |
| ICF 20 | 4 | 90 | ¾ | 20 | Butt-weld DIN-EN 10220 | ICFR 20A | ICFF 20 | ICFA 20 | ICFN 20 | | | 6.4 | 14.1 | 027L3156 |
| ICF 20 | 4 | 90 | ¾ | 20 | Butt-weld DIN-EN 10220 | ICFR 20A | ICFF 20 | ICFE 20 | ICFN 20 | | | 6.4 | 14.1 | 027L3155 |
| ICF 20 | 4 | 90 | ¾ | 20 | Butt-weld DIN-EN 10220 | ICFS 20 | ICFF 20 | ICFE 20 | ICFN 20 | | | 7.2 | 15.8 | 027L3379 |
| ICF 20 | 4 | 90 | ¾ | 20 | Butt-weld DIN-EN 10220 | ICFS 20 | ICFW 20-D | ICFE 20 | ICFS 20 | | | 5.9 | 13 | 027L3385 |
| ICF 20 | 4 | 90 | ¾ | 20 | Butt-weld DIN-EN 10220 | ICFS 20 | ICFF 20 | ICFB 20 | ICFC 20 | | | 5.9 | 13 | 027L3141 |
| ICF 20 | 4 | 99 | ¾ | 20 | Butt-weld DIN-EN 10220 | ICFS 20 | ICFF 20 | ICFE 20 | ICFB 20 | | | 6.2 | 13.7 | 027L3122 |
| ICF 20 | 4 | 99 | ¾ | 20 | Butt-weld DIN-EN 10220 | ICFS 20 | ICFF 20 | ICFE 20 | ICFO 20 | | | 6.1 | 13.4 | 027L3359 |
| ICF 20 | 4 | 99 | ¾ | 20 | Butt-weld DIN-EN 10220 | ICFS 20 | ICFF 20 | ICFE 20 | ICFR 20A | | | 6.7 | 14.8 | 027L3700 |

Valve station, type ICF 15, ICF 20, ICF 25, ICF 50 and ICF 65

| Type | # of modules | Appl. # | Connection size | | Connection type | Module location | | | | | | Weight | | Code number |
|--------|--------------|---------|-----------------|------|------------------------------|------------------------|------------------------|----------|---------|-----------|----------|--------|------|-------------|
| | | | [in.] | [mm] | | M1 | M2 | M3 | M4 | M5 | M6 | kg | lbs | |
| ICF 20 | 4 | 90 | 3/4 | 20 | Butt-weld DIN-EN 10220 | ICFS 20 | ICFF 20 | ICFB 20 | ICFN 20 | | | 6.7 | 14.8 | 027L3405 |
| ICF 15 | 4 | 90 | 1/2 | 15 | Butt-weld DIN-EN 10220 | ICFS 15 ⁽¹⁾ | ICFF 15 ⁽¹⁾ | ICFB 20 | ICFN 20 | | | 6.7 | 14.8 | 027L4581 |
| ICF 15 | 4 | 90 | 3/4 | 20 | Butt-weld DIN-EN 10220 | ICFS 15 ⁽¹⁾ | ICFF 15 ⁽¹⁾ | ICFR 20A | ICFN 20 | | | 7.2 | 15.8 | 027L4576 |
| ICF 20 | 6 | 90 | 3/4 | 20 | Butt-weld DIN-EN 10220 | ICFS 20 | ICFF 20 | ICFE 20 | ICFO 20 | ICFA 20 | ICFS 20 | 9.4 | 20.7 | 027L3053 |
| ICF 20 | 6 | 90 | 3/4 | 20 | Butt-weld DIN-EN 10220 | ICFS 20 | ICFF 20 | ICFA 20 | ICFC 20 | ICFB 20 | ICFS 20 | 9.9 | 21.8 | 027L3056 |
| ICF 20 | 6 | 90 | 3/4 | 20 | Butt-weld DIN-EN 10220 | ICFS 20 | ICFF 20 | ICFE 20 | ICFO 20 | ICM 20-A | ICFN 20 | 9.7 | 21.3 | 027L3372 |
| ICF 20 | 6 | 90 | 3/4 | 20 | Butt-weld DIN-EN 10220 | ICFS 20 | ICFF 20 | ICFE 20 | ICFB 20 | ICFR 20-A | ICFN 20 | 9.7 | 21.3 | 027L3133 |
| ICF 20 | 6 | 90 | 3/4 | 20 | Butt-weld DIN-EN 10220 | ICFS 20 | ICFF 20 | ICFE 20 | ICFC 20 | ICFB 20 | ICFR 20A | 9.4 | 20.7 | 027L3144 |
| ICF 20 | 6 | 90 | 3/4 | 20 | Butt-weld DIN-EN 10220 | ICFS 20 | ICFF 20 | ICFE 20 | ICFC 20 | ICM 20-C | ICFS 20 | 9.7 | 21.3 | 027L3152 |
| ICF 20 | 6 | 90 | 3/4 | 20 | Butt-weld DIN-EN 10220 | ICFS 20 | ICFF 20 | ICFE 20 | ICFO 20 | ICFS 20 | ICFC 20 | 9.8 | 21.6 | 027L3360 |
| ICF 20 | 6 | 90 | 3/4 | 20 | Butt-weld DIN-EN 10220 | ICFB 20 | ICFC 20 | ICFE 20 | ICFO 20 | ICFS 20 | ICFB 20 | 6.2 | 13.6 | 027L3121 |
| ICF 20 | 6 | 90 | 3/4 | 20 | Butt-weld DIN-EN 10220 | ICFS 20 | ICFF 20 | ICFE 20H | ICFC 20 | ICFB 20 | ICFS 20 | 9.6 | 21.1 | 027L3387 |
| ICF 20 | 6 | 90 | 3/4 | 20 | Butt-weld DIN-EN 10220 | ICFS 20 | ICFF 20 | ICFE 20 | ICFC 20 | ICFR 20A | ICFW 20D | 9.1 | 20.1 | 027L3368 |
| ICF 20 | 6 | 90 | 3/4 | 20 | Butt-weld DIN-EN 10220 | ICFS 20 | ICFF 20 | ICFE 20H | ICFC 20 | ICFR 20A | ICFS 20 | 10.2 | 22.5 | 027L3386 |
| ICF 20 | 6 | 90 | 3/4 | 20 | Butt-weld DIN-EN 10220 | ICFS 20 | ICFF 20 | ICFE 20 | ICFC 20 | ICM 20B | ICFS 20 | 9.7 | 21.4 | 027L3397 |
| ICF 20 | 6 | 90 | 3/4 | 20 | Butt-weld DIN-EN 10220 | ICFS 20 | ICFF 20 | ICFE 20 | ICFC 20 | ICFB 20 | ICFS 20 | 9.4 | 20.7 | 027L3424 |
| ICF 20 | 6 | 90 | 3/4 | 20 | Butt-weld DIN-EN 10220 | ICFS 20 | ICFF 20 | ICFE 20 | ICFO 20 | ICM 20B | ICFN 20 | 9.6 | 21.1 | 027L3425 |
| ICF 20 | 6 | 99 | 3/4 | 20 | Butt-weld DIN-EN 10220 | ICFS 20 | ICFF 20 | ICFE 20 | ICFC 20 | ICFB 20 | ICFR 20A | 9.4 | 20.7 | 027L3701 |
| ICF 20 | 6 | 90 | 3/4 | 20 | Butt-weld DIN-EN 10220 | ICFS 20 | ICFF 20E | ICFE 20 | ICFN 20 | ICFR 20B | ICFW 20D | 9.1 | 20.1 | 027L3439 |
| ICF 20 | 6 | 90 | 3/4 | 20 | Butt-weld DIN-EN 10220 | ICFS 20 | ICFF 20 | ICFE 20 | ICFC 20 | ICFW 20D | ICFS 20 | 9.1 | 20.1 | 027L3441 |
| ICF 20 | 6 | 90 | 3/4 | 20 | Butt-weld DIN-EN 10220 | ICFS 20 | ICFF 20 | ICFE 20 | ICFO 20 | ICFB 20 | ICFN 20 | 9.4 | 20.7 | 027L3446 |
| ICF 20 | 6 | 90 | 3/4 | 20 | Butt-weld DIN-EN 10220 | ICFS 20 | ICFF 20 | ICFE 20 | ICFC 20 | ICFR 20B | ICFW 20D | 9.1 | 20.1 | 027L3447 |
| ICF 20 | 4 | 90 | 1 | 25 | Butt-weld DIN-EN 10220 | ICFS 20 | ICFF 20 | ICFE 20 | ICFN 20 | | | 6.7 | 14.7 | 027L3134 |

Valve station, type ICF 15, ICF 20, ICF 25, ICF 50 and ICF 65

| Type | # of modules | Appl. # | Connection size | | Connection type | Module location | | | | | | Weight | | Code number |
|--------|--------------|---------|-----------------|------|------------------------|-----------------|----------|----------|---------|----------|----------|--------|------|-------------|
| | | | [in.] | [mm] | | M1 | M2 | M3 | M4 | M5 | M6 | kg | lbs | |
| ICF 20 | 4 | 90 | 1 | 25 | Butt-weld DIN-EN 10220 | ICFS 20 | ICFF 20 | ICFE 20 | ICFB 20 | | | 5.9 | 13 | 027L3364 |
| ICF 20 | 4 | 90 | 1 | 25 | Butt-weld DIN-EN 10220 | ICFS 20 | ICFF 20 | ICFE 20H | ICFN 20 | | | 7.2 | 15.8 | 027L3380 |
| ICF 20 | 6 | 90 | 1 | 25 | Butt-weld DIN-EN 10220 | ICFS 20 | ICFF 20 | ICFE 20 | ICFO 20 | ICFA 20 | ICFS 20 | 9.8 | 21.6 | 027L3361 |
| ICF 20 | 6 | 90 | 1 | 25 | Butt-weld DIN-EN 10220 | ICFS 20 | ICFF 20 | ICFE 20 | ICFC 20 | ICFR 20A | ICFB 20 | 9.1 | 20 | 027L3363 |
| ICF 20 | 6 | 90 | 1 | 25 | Butt-weld DIN-EN 10220 | ICFS 20 | ICFF 20 | ICFE 20H | ICFC 20 | ICFR 20B | ICFW 20D | 12 | 26.4 | 027L3376 |
| ICF 20 | 6 | 90 | 1 | 25 | Butt-weld DIN-EN 10220 | ICFS 20 | ICFF 20E | ICFE 20H | ICFC 20 | ICFR 20B | ICFW 20D | 11.5 | 25.3 | 027L3375 |

⁽¹⁾ Fixed module

Table 97: Application 90: Miscellaneous

| Type | # of modules | Appl. # | Connection size | | Connection type | Module location | | | | | | Weight | | Code number |
|--------|--------------|---------|-----------------|------|------------------------|-----------------|----------|----------|---------|----------|----------|--------|------|-------------|
| | | | [in.] | [mm] | | M1 | M2 | M3 | M4 | M5 | M6 | kg | lbs | |
| ICF 20 | 4 | 90 | | 20 | Butt-weld DIN-EN 10220 | ICFB 20 | ICFD 20C | ICFE 20 | ICFB 20 | | | | | 027L3599 |
| ICF 20 | 4 | 90 | | 25 | Butt-weld DIN-EN 10220 | ICFB 20 | ICFD 20C | ICFE 20 | ICFB 20 | | | | | 027L3600 |
| ICF 20 | 6 | 90 | 1 | 25 | Butt-weld DIN-EN 10220 | ICFS 20 | ICFF 20 | ICFE 20 | ICFC 20 | ICFB 20 | ICFS 20 | 9.4 | 20.7 | 027L3123 |
| ICF 25 | 6 | 90 | 1 | 25 | Butt-weld DIN-EN 10220 | ICFS 25 | ICFF 25 | ICFE 25 | ICFC 25 | ICFR 25B | ICFW 25D | 23.6 | 51.9 | 027L4168 |
| ICF 25 | 6 | 90 | 1 | 25 | Butt-weld DIN-EN 10220 | ICFS 25 | ICFF 25 | ICFE 25 | ICFC 25 | ICFS 25 | ICFB 25 | 22 | 48.4 | 027L4151 |
| ICF 20 | 6 | 90 | 1 | 25 | Butt-weld DIN-EN 10220 | ICFS 20 | ICFF 20 | ICFE 20 | ICFC 20 | ICFR 20A | ICFW 20D | 9 | 19.8 | 027L3369 |
| ICF 20 | 6 | 90 | 1 | 25 | Butt-weld DIN-EN 10220 | ICFS 20 | ICFF 20 | ICFE 20 | ICFO 20 | ICFA 20 | ICFC 20 | 9.6 | 21.1 | 027L3396 |
| ICF 20 | 6 | 90 | 1 | 25 | Butt-weld DIN-EN 10220 | ICFS 20 | ICFF 20E | ICFE 20H | ICFC 20 | ICFR 20A | ICFB 20 | 9.7 | 21.4 | 027L3423 |
| ICF 20 | 6 | 90 | 1 | 25 | Butt-weld DIN-EN 10220 | ICFS 20 | ICFF 20 | ICFE 20 | ICFO 20 | ICM 20B | ICFN 20 | 9.6 | 21.1 | 027L3426 |
| ICF 25 | 6 | 90 | 1 | 25 | Butt-weld DIN-EN 10220 | ICFS 25 | ICFF 25E | ICFE 25 | ICFC 25 | ICFR 25B | ICFB 25 | 23.6 | 52 | 027L4176 |
| ICF 25 | 6 | 90 | 1 | 25 | Butt-weld DIN-EN 10220 | ICFS 25 | ICFF 25E | ICFE 25 | ICFC 25 | ICFR 25B | ICFF 25 | 23.8 | 52.4 | 027L4577 |
| ICF 25 | 6 | 90 | 1 | 25 | Butt-weld DIN-EN 10220 | ICFS 25 | ICFF 25E | ICFE 25 | ICFN 25 | ICFR 25B | ICFW 25D | 22.7 | 49.9 | 027L4186 |
| ICF 25 | 6 | 90 | 1 ¼ | 32 | Butt-weld DIN-EN 10220 | ICFS 25 | ICFF 25 | ICFE 25 | ICFC 25 | ICFR 25B | ICFB 25 | 21.7 | 47.7 | 027L4143 |
| ICF 25 | 6 | 90 | 1 ¼ | 32 | Butt-weld DIN-EN 10220 | ICFS 25 | ICFF 25E | ICFE 25 | ICFC 25 | ICFR 25B | ICFW 25D | 22.7 | 49.9 | 027L4160 |

Valve station, type ICF 15, ICF 20, ICF 25, ICF 50 and ICF 65

| Type | # of modules | Appl. # | Connection size | | Connection type | Module location | | | | | | Weight | | Code number |
|--------|--------------|---------|-----------------|------|-----------------------------|-----------------|-----------|------------|----------|----------|----------|--------|------|-------------|
| | | | [in.] | [mm] | | M1 | M2 | M3 | M4 | M5 | M6 | kg | lbs | |
| ICF 25 | 6 | 90 | 1 ¼ | 32 | Butt-weld DIN-EN 10220 | ICFS 25 | ICFF 25 | ICFE 25 | ICFC 25 | ICFR 25B | ICFW 25D | 21.9 | 48.2 | 027L4161 |
| ICF 25 | 6 | 90 | 1 ¼ | 32 | Socket weld, ANSI (B 16.11) | ICFS 25 | ICFF 25E | ICFE 25 | ICFC 25 | ICFB 25 | ICFS 25 | 21.9 | 48.2 | 027L4162 |
| ICF 25 | 6 | 90 | 1 ¼ | 32 | Butt-weld DIN-EN 10220 | ICFS 25 | ICFF 25-E | ICFE 25 | ICFC 25 | ICFR 25B | ICFB 25 | 22.7 | 49.9 | 027L4178 |
| ICF 25 | 6 | 90 | 1 ½ | 40 | Butt-weld DIN-EN 10220 | ICFS 25 | ICFF 25 | ICFE 25 | ICFC 25 | ICFR 25A | ICFW 25D | 23.6 | 51.9 | 027L4157 |
| ICF 25 | 6 | 90 | 1 ½ | 40 | Butt-weld DIN-EN 10220 | ICFS 25 | ICFF 25E | ICFE 25 | ICFC 25 | ICFR 25B | ICFW 25D | 23.6 | 51.9 | 027L4166 |
| ICF 25 | 6 | 90 | 1 ½ | 40 | Butt-weld DIN-EN 10220 | ICFS 25 | ICFF 25 | ICFE 25 | ICFC 25 | ICFR 25B | ICFW 25D | 21.7 | 47.7 | 027L4167 |
| ICF 25 | 4 | 90 | 1 ½ | 40 | Butt-weld DIN-EN 10220 | ICFS 25 | ICFF 25 | ICM 25A | ICFB 25 | 14.9 | 32.8 | | | 027L4185 |
| ICF 25 | 4 | 90 | 1 ½ | 40 | Butt-weld DIN-EN 10220 | ICFS 25 | ICFF 25 | ICFE 25 | ICFR 25A | | | 16.1 | 35.4 | 027L4192 |
| ICF 20 | 4 | 90 | ¾ | 20 | Socket weld, ANSI (B 16.11) | ICFS 20 | ICFF 20E | ICM 20-A33 | ICFB 20 | | | 7.2 | 15.8 | 027L3362 |
| ICF 20 | 4 | 90 | 1 | 25 | Socket weld, ANSI (B 16.11) | ICFR 20A | ICFF 20E | ICFE 20 | ICFN 20 | | | 7.2 | 15.8 | 027L4179 |
| ICF 20 | 4 | 90 | 1 | 25 | Socket weld, ANSI (B 16.11) | ICFR 20B | ICFF 20E | ICFE 20H | ICFN 20 | | | 7.9 | 17.4 | 027L4578 |
| ICF 20 | 4 | 90 | 1 | 25 | Socket weld, ANSI (B 16.11) | ICFB 20 | ICFF 20 | ICFE 20 | ICFN 20 | | | 7 | 15.4 | 027L3357 |
| ICF 25 | 4 | 90 | 1 | 25 | Socket weld, ANSI (B 16.11) | ICFB 25 | ICFF 25E | ICFE 25 | ICFN 25 | | | 14.1 | 31 | 027L4149 |
| ICF 25 | 4 | 90 | 1 | 25 | Socket weld, ANSI (B 16.11) | ICFS 25 | ICFF 25E | ICFB 25 | ICFR 25A | | | 16.1 | 35.5 | 027L4180 |
| ICF 25 | 4 | 90 | 1 ½ | 40 | Socket weld, ANSI (B 16.11) | ICFS 25 | ICFF 25E | ICFB 25 | ICFR 25A | | | 16.1 | 35.5 | 027L4181 |
| ICF 20 | 4 | 90 | ¾ | 20 | Socket weld, ANSI (B 16.11) | ICFB 20 | ICFD 20C | ICFE 20 | ICFB 20 | | | | | 027L3605 |
| ICF 20 | 6 | 90 | ¾ | 20 | Socket weld, ANSI (B 16.11) | ICFS 20 | ICFF 20E | ICFE 20 | ICFO 20 | ICFA 20 | ICFS 20 | 9.3 | 20.5 | 027L3055 |
| ICF 20 | 6 | 90 | ¾ | 20 | Socket weld, ANSI (B 16.11) | ICFS 20 | ICFF 20E | ICFA 20 | ICFC 20 | ICFB 20 | ICFS 20 | 9.9 | 21.8 | 027L3058 |
| ICF 20 | 6 | 90 | ¾ | 20 | Socket weld, ANSI (B 16.11) | ICFS 20 | ICFF 20E | ICFE 20 | ICFO 20 | ICFB 20 | ICFN 20 | 9.4 | 20.7 | 027L3150 |
| ICF 20 | 6 | 90 | ¾ | 20 | Socket weld, ANSI (B 16.11) | ICFS 20 | ICFF 20E | ICFE 20H | ICFC 20 | ICFW 20S | ICFS 20 | 10.4 | 22.9 | 027L4153 |
| ICF 20 | 4 | 90 | 1 | 25 | Socket weld, ANSI (B 16.11) | ICFB 20 | ICFD 20C | ICFE 20 | ICFB 20 | | | | | 027L3606 |
| ICF 20 | 6 | 90 | 1 | 25 | Socket weld, ANSI (B 16.11) | ICFS 20 | ICFF 20E | ICFE 20H | ICFC 20 | ICFW 20S | ICFS 20 | 11.5 | 25.3 | 027L3377 |
| ICF 25 | 6 | 90 | 1 | 25 | Socket weld, ANSI (B 16.11) | ICFS 25 | ICFF 25E | ICFE 25 | ICFC 25 | ICFB 25 | ICFS 25 | 23.1 | 50.8 | 027L4156 |

Valve station, type ICF 15, ICF 20, ICF 25, ICF 50 and ICF 65

| Type | # of modules | Appl. # | Connection size | | Connection type | Module location | | | | | | Weight | | Code number |
|--------|--------------|---------|-----------------|------|-----------------------------|-----------------|----------|----------|---------|----------|---------|--------|------|-------------|
| | | | [in.] | [mm] | | M1 | M2 | M3 | M4 | M5 | M6 | kg | lbs | |
| ICF 25 | 6 | 90 | 1 | 25 | Socket weld, ANSI (B 16.11) | ICFS 25 | ICFF 25E | ICFE 25 | ICFC 25 | ICFW 25S | ICFS 25 | 25.1 | 55.2 | 027L4158 |
| ICF 20 | 6 | 90 | 1 ¼ | 32 | Socket weld, ANSI (B 16.11) | ICFS 20 | ICFF 20E | ICFE 20H | ICFC 20 | ICFB 20 | ICFS 20 | 10.5 | 23.1 | 027L3378 |
| ICF 20 | 6 | 90 | 1 ¼ | 32 | Socket weld, ANSI (B 16.11) | ICFS 20 | ICFF 20E | ICFE 20H | ICFC 20 | ICFW 20S | ICFS 20 | 10.5 | 23.1 | 027L4152 |
| ICF 25 | 6 | 90 | 1 ¼ | 32 | Socket weld, ANSI (B 16.11) | ICFS 25 | ICFF 25E | ICFE 25 | ICFC 25 | ICFW 25S | ICFS 25 | 25.1 | 55.2 | 027L4154 |
| ICF 25 | 6 | 90 | 1 ½ | 40 | Socket weld, ANSI (B 16.11) | ICFS 25 | ICFF 25E | ICFE 25 | ICFC 25 | ICFW 25S | ICFS 25 | 25.1 | 55.2 | 027L4159 |
| ICF 20 | 4 | 90 | ¾ | 20 | Butt-weld DIN-EN 10220 | ICFB 20 | ICFD 20 | ICFE 20 | ICFB 20 | | | 12.4 | 27.3 | 027L3483 |
| ICF 20 | 4 | 90 | 1 | 25 | Butt-weld DIN-EN 10220 | ICFB 20 | ICFD 20 | ICFE 20 | ICFB 20 | | | 12.4 | 27.3 | 027L3484 |
| ICF 20 | 4 | 90 | 1 ¼ | 32 | Butt-weld DIN-EN 10220 | ICFB 20 | ICFD 20 | ICFE 20 | ICFB 20 | | | 12.4 | 27.3 | 027L3485 |
| ICF 20 | 4 | 90 | ¾ | 20 | Butt-weld DIN-EN 10220 | ICFS 20 | ICFD 20 | ICFE 20 | ICFN 20 | | | 12.1 | 26.7 | 027L3711 |
| ICF 20 | 6 | 90 | ¾ | 20 | Socket weld, ANSI (B 16.11) | ICFS 20 | ICFB 20 | ICFE 20 | ICFD 20 | ICFB 20 | ICFS 20 | 15 | 33.1 | 027L3463 |
| ICF 20 | 6 | 90 | 1 | 25 | Socket weld, ANSI (B 16.11) | ICFS 20 | ICFB 20 | ICFE 20 | ICFD 20 | ICFB 20 | ICFS 20 | 15 | 33.1 | 027L3464 |
| ICF 20 | 6 | 90 | 1 ¼ | 32 | Socket weld, ANSI (B 16.11) | ICFS 20 | ICFB 20 | ICFE 20 | ICFD 20 | ICFB 20 | ICFS 20 | 15 | 33.1 | 027L3465 |

NOTE:

For special applications that cannot be covered by our predefined ICF code numbers please consult Coolselector®2 or your local Danfoss Sales company. [Coolselector®2](#)

Prior to designing „non standard“ configurations there are some basic restrictions to the location of the function modules that must be followed (see [Page 77](#)).

Defrost drain line

Table 98: Application 101D1P1 (Ammonia): Liquid drain M2, loaded check valve without solenoid - 1 shut-off

| Type | # of modules | Appl. # | Connection size | | Connection type | Module location | | | | Weight | | Code number |
|--------|--------------|---------|-----------------|------|-----------------------------|-----------------|---------|---------|-----------|--------|------|-------------|
| | | | [in.] | [mm] | | M1 | M2 | M3 | M4 | kg | lbs | |
| ICF 20 | 4 | 101 | ¾ | 20 | Socket weld, ANSI (B 16.11) | ICFS 20 | ICFD 20 | ICFB 20 | ICFC 20P1 | 12.6 | 27.7 | 027L3628 |
| ICF 20 | 4 | 101 | 1 | 25 | Socket weld, ANSI (B 16.11) | ICFS 20 | ICFD 20 | ICFB 20 | ICFC 20P2 | 12.6 | 27.7 | 027L3629 |
| ICF 20 | 4 | 101 | 1 ¼ | 32 | Socket weld, ANSI (B 16.11) | ICFS 20 | ICFD 20 | ICFB 20 | ICFC 20P3 | 12.6 | 27.7 | 027L3630 |

Table 99: Application 102D1 (Ammonia): Liquid drain M2 with solenoid - 2 shut-off

| Type | # of modules | Appl. # | Connection size | | Connection type | Module location | | | | Weight | | Code number |
|--------|--------------|---------|-----------------|------|-----------------------------|-----------------|---------|---------|---------|--------|------|-------------|
| | | | [in.] | [mm] | | M1 | M2 | M3 | M4 | kg | lbs | |
| ICF 20 | 4 | 102 | ¾ | 20 | Butt-weld DIN-EN 10220 | ICFS 20 | ICFD 20 | ICFE 20 | ICFS 20 | 12.7 | 28 | 027L3489 |
| ICF 20 | 4 | 102 | 1 | 25 | Butt-weld DIN-EN 10220 | ICFS 20 | ICFD 20 | ICFE 20 | ICFS 20 | 12.7 | 28 | 027L3490 |
| ICF 20 | 4 | 102 | 1 ¼ | 32 | Butt-weld DIN-EN 10220 | ICFS 20 | ICFD 20 | ICFE 20 | ICFS 20 | 12.7 | 28 | 027L3491 |
| ICF 20 | 4 | 102 | ¾ | 20 | Socket weld, ANSI (B 16.11) | ICFS 20 | ICFD 20 | ICFE 20 | ICFS 20 | 13.2 | 29.1 | 027L3480 |
| ICF 20 | 4 | 102 | 1 | 25 | Socket weld, ANSI (B 16.11) | ICFS 20 | ICFD 20 | ICFE 20 | ICFS 20 | 13.1 | 29.1 | 027L3481 |
| ICF 20 | 4 | 102 | 1 ¼ | 32 | Socket weld, ANSI (B 16.11) | ICFS 20 | ICFD 20 | ICFE 20 | ICFS 20 | 12.5 | 27.6 | 027L3482 |

Valve station, type ICF 15, ICF 20, ICF 25, ICF 50 and ICF 65

Table 100: Application 102D2 (CO₂): Liquid drain M2 with solenoid - 2 shut-off

| Type | # of modules | Appl. # | Connection size | | Connection type | Module location | | | | Code number |
|--------|--------------|---------|-----------------|------|-----------------------------|-----------------|----------|---------|---------|-------------|
| | | | [in.] | [mm] | | M1 | M2 | M3 | M4 | |
| ICF 20 | 4 | 102 | ¾ | 20 | Butt-weld DIN-EN 10220 | ICFS 20 | ICFD 20C | ICFE 20 | ICFS 20 | 027L3601 |
| ICF 20 | 4 | 102 | 1 | 25 | Butt-weld DIN-EN 10220 | ICFS 20 | ICFD 20C | ICFE 20 | ICFS 20 | 027L3602 |
| ICF 20 | 4 | 102 | 1 ¼ | 32 | Butt-weld DIN-EN 10220 | ICFS 20 | ICFD 20C | ICFE 20 | ICFS 20 | 027L3612 |
| ICF 20 | 4 | 102 | ¾ | 20 | Socket weld, ANSI (B 16.11) | ICFS 20 | ICFD 20C | ICFE 20 | ICFS 20 | 027L3607 |
| ICF 20 | 4 | 102 | 1 | 25 | Socket weld, ANSI (B 16.11) | ICFS 20 | ICFD 20C | ICFE 20 | ICFS 20 | 027L3608 |

Table 101: Application 103D1 (Ammonia): Liquid drain M4 with solenoid - 1 shut-off

| Type | # of modules | Appl. # | Connection size | | Connection type | Module location | | | | Weight | | Code number |
|--------|--------------|---------|-----------------|------|-----------------------------|-----------------|----------|---------|---------|--------|------|-------------|
| | | | [in.] | [mm] | | M1 | M2 | M3 | M4 | kg | lbs | |
| ICF 20 | 4 | 103 | ¾ | 20 | Socket weld, ANSI (B 16.11) | ICFS 20 | ICFB 15 | ICFE 20 | ICFD 20 | 12.6 | 27.8 | 027L3460 |
| ICF 20 | 4 | 103 | 1 | 25 | Socket weld, ANSI (B 16.11) | ICFS 20 | ICFB 20 | ICFE 20 | ICFD 20 | 12.5 | 27.8 | 027L3461 |
| ICF 20 | 4 | 103 | 1 ¼ | 32 | Socket weld, ANSI (B 16.11) | ICFS 20 | ICFB 20E | ICFE 20 | ICFD 20 | 11.9 | 26.2 | 027L3462 |

Table 102: Application 104D1 (Ammonia): Liquid drain M4 with strainer and solenoid - 1 shut-off

| Type | # of modules | Appl. # | Connection size | | Connection type | Module location | | | | Weight | | Code number |
|--------|--------------|---------|-----------------|------|------------------------|------------------------|------------------------|---------|---------|--------|------|-------------|
| | | | [in.] | [mm] | | M1 | M2 | M3 | M4 | kg | lbs | |
| ICF 15 | 4 | 104 | ¾ | 20 | Butt-weld DIN-EN 10220 | ICFS 15 ⁽¹⁾ | ICFF 15 ⁽¹⁾ | ICFE 20 | ICFD 20 | 13.6 | 30 | 027L4589 |
| ICF 20 | 4 | 104 | 1 | 25 | Butt-weld DIN-EN 10220 | ICFS 20 | ICFF 20 | ICFE 20 | ICFD 20 | 12.1 | 26.7 | 027L3597 |
| ICF 20 | 4 | 104 | 1 ¼ | 32 | Butt-weld DIN-EN 10220 | ICFS 20 | ICFF 20E | ICFE 20 | ICFD 20 | 12.6 | 27.7 | 027L3170 |

⁽¹⁾ Fixed Module

Table 103: Application 104D2 (CO₂): Liquid drain M4 with strainer and solenoid - 1 shut-off

| Type | # of modules | Appl. # | Connection size | | Connection type | Module location | | | | Code number |
|--------|--------------|---------|-----------------|------|------------------------|------------------------|------------------------|---------|----------|-------------|
| | | | [in.] | [mm] | | M1 | M2 | M3 | M4 | |
| ICF 15 | 4 | 104 | ¾ | 20 | Butt-weld DIN-EN 10220 | ICFS 15 ⁽¹⁾ | ICFF 15 ⁽¹⁾ | ICFE 20 | ICFD 20C | 027L3611 |

⁽¹⁾ Fixed Module

Table 104: Application 105D1 (Ammonia): Liquid drain M2 with solenoid - 1 shut-off

| Type | # of modules | Appl. # | Connection size | | Connection type | Module location | | | | Weight | | Code number |
|--------|--------------|---------|-----------------|------|------------------------|-----------------|---------|---------|---------|--------|------|-------------|
| | | | [in.] | [mm] | | M1 | M2 | M3 | M4 | kg | lbs | |
| ICF 20 | 4 | 105 | ¾ | 20 | Butt-weld DIN-EN 10220 | ICFS 20 | ICFD 20 | ICFE 20 | ICFB 20 | 12.1 | 26.7 | 027L3486 |
| ICF 20 | 4 | 105 | 1 | 25 | Butt-weld DIN-EN 10220 | ICFS 20 | ICFD 20 | ICFE 20 | ICFB 20 | 12.1 | 26.7 | 027L3487 |
| ICF 20 | 4 | 105 | 1 ¼ | 32 | Butt-weld DIN-EN 10220 | ICFS 20 | ICFD 20 | ICFE 20 | ICFB 20 | 12.1 | 26.7 | 027L3488 |

Table 105: Application 105D2 (CO₂): Liquid drain M2 with solenoid - 1 shut-off

| Type | # of modules | Appl. # | Connection size | | Connection type | Module location | | | | Code number |
|--------|--------------|---------|-----------------|------|------------------------|-----------------|----------|---------|---------|-------------|
| | | | [in.] | [mm] | | M1 | M2 | M3 | M4 | |
| ICF 20 | 4 | 105 | ¾ | 20 | Butt-weld DIN-EN 10220 | ICFS 20 | ICFD 20C | ICFE 20 | ICFB 20 | 027L3603 |
| ICF 20 | 4 | 105 | 1 | 25 | Butt-weld DIN-EN 10220 | ICFS 20 | ICFD 20C | ICFE 20 | ICFB 20 | 027L3604 |

Table 106: Application 106D1 (Ammonia): Liquid drain M2 with solenoid and manual opener - 1 shut off

| Type | # of modules | Appl. # | Connection size | | Connection type | Module location | | | | Weight | | Code number |
|--------|--------------|---------|-----------------|------|-----------------------------|-----------------|---------|---------|---------|--------|------|-------------|
| | | | [in.] | [mm] | | M1 | M2 | M3 | M4 | kg | lbs | |
| ICF 20 | 4 | 106 | ¾ | 20 | Socket weld, ANSI (B 16.11) | ICFS 20 | ICFD 20 | ICFE 20 | ICFO 20 | 12.9 | 28.0 | 027L3551 |
| ICF 20 | 4 | 106 | 1 | 25 | Socket weld, ANSI (B 16.11) | ICFS 20 | ICFD 20 | ICFE 20 | ICFO 20 | 12.9 | 28.4 | 027L3496 |
| ICF 20 | 4 | 106 | 1 ¼ | 32 | Socket weld, ANSI (B 16.11) | ICFS 20 | ICFD 20 | ICFE 20 | ICFO 20 | 12.9 | 28.4 | 027L3497 |

Valve station, type ICF 15, ICF 20, ICF 25, ICF 50 and ICF 65

Table 107: Application 107D1 (Ammonia): Liquid drain M2 with solenoid and manual opener - 2 shut off

| Type | # of modules | Appl. # | Connection size | | Connection type | Module location | | | | | | Weight | | Code number |
|--------|--------------|---------|-----------------|------|-----------------------------|-----------------|---------|---------|---------|---------|---------|--------|------|-------------|
| | | | [in.] | [mm] | | M1 | M2 | M3 | M4 | M5 | M6 | kg | lbs | |
| ICF 20 | 6 | 107 | 3/4 | 20 | Socket weld, ANSI (B 16.11) | ICFS 20 | ICFD 20 | ICFE 20 | ICFO 20 | ICFB 20 | ICFS 20 | 15.7 | 34.5 | 027L3498 |
| ICF 20 | 6 | 107 | 1 | 25 | Socket weld, ANSI (B 16.11) | ICFS 20 | ICFD 20 | ICFE 20 | ICFO 20 | ICFB 20 | ICFS 20 | 15.7 | 34.5 | 027L3499 |
| ICF 20 | 6 | 107 | 1 1/4 | 32 | Socket weld, ANSI (B 16.11) | ICFS 20 | ICFD 20 | ICFE 20 | ICFO 20 | ICFB 20 | ICFS 20 | 15.7 | 34.5 | 027L3550 |

Table 108: Application 108D1 (Ammonia): Liquid drain M2 without solenoid - 2 shut off

| Type | # of modules | Appl. # | Connection size | | Connection type | Module location | | | | Weight | | Code number |
|--------|--------------|---------|-----------------|------|-----------------------------|-----------------|---------|---------|---------|--------|------|-------------|
| | | | [in.] | [mm] | | M1 | M2 | M3 | M4 | kg | lbs | |
| ICF 20 | 4 | 108 | 3/4 | 20 | Socket weld, ANSI (B 16.11) | ICFS 20 | ICFD 20 | ICFB 20 | ICFS 20 | 11.9 | 26.2 | 027L3558 |
| ICF 20 | 4 | 108 | 1 | 25 | Socket weld, ANSI (B 16.11) | ICFS 20 | ICFD 20 | ICFB 20 | ICFS 20 | 11.9 | 26.2 | 027L3559 |
| ICF 20 | 4 | 108 | 1 1/4 | 32 | Socket weld, ANSI (B 16.11) | ICFS 20 | ICFD 20 | ICFB 20 | ICFS 20 | 11.9 | 26.2 | 027L3560 |

Table 109: Application 109D2 (CO₂): Liquid drain M2 with solenoid and stop/check - 1 shut off

| Type | # of modules | Appl. # | Connection size | | Connection type | Module location | | | | Code number |
|--------|--------------|---------|-----------------|------|------------------------|-----------------|----------|---------|---------|-------------|
| | | | [in.] | [mm] | | M1 | M2 | M3 | M4 | |
| ICF 20 | 4 | 109 | 3/4 | 20 | Butt-weld DIN-EN 10220 | ICFS 20 | ICFD 20C | ICFE 20 | ICFN 20 | 027L3609 |
| ICF 20 | 4 | 109 | 1 | 25 | Butt-weld DIN-EN 10220 | ICFS 20 | ICFD 20C | ICFE 20 | ICFN 20 | 027L3610 |

Table 110: Application 110D1P1 (Ammonia): Liquid drain M2, loaded check valve without solenoid - 2 shut-off

| Type | # of modules | Appl. # | Connection size | | Connection type | Module location | | | | | | Weight | | Code number |
|--------|--------------|---------|-----------------|------|-----------------------------|-----------------|---------|---------|-----------|---------|---------|--------|------|-------------|
| | | | [in.] | [mm] | | M1 | M2 | M3 | M4 | M5 | M6 | kg | lbs | |
| ICF 20 | 6 | 110 | 3/4 | 20 | Socket weld, ANSI (B 16.11) | ICFS 20 | ICFD 20 | ICFB 20 | ICFC 20P1 | ICFB 20 | ICFS 20 | 12.6 | 27.7 | 027L3625 |
| ICF 20 | 6 | 110 | 1 | 25 | Socket weld, ANSI (B 16.11) | ICFS 20 | ICFD 20 | ICFB 20 | ICFC 20P1 | ICFB 20 | ICFS 20 | 12.6 | 27.7 | 027L3626 |
| ICF 20 | 6 | 110 | 1 1/4 | 32 | Socket weld, ANSI (B 16.11) | ICFS 20 | ICFD 20 | ICFB 20 | ICFC 20P1 | ICFB 20 | ICFS 20 | 12.6 | 27.7 | 027L3627 |

Accessories

Table 111: Stop valve type SNV-ST

| Description | Code no. |
|--------------------------|----------|
| G1/2 in. (Qty. 1) | 148B3778 |
| NPT-FPT 3/8 in. (Qty. 1) | 148B3747 |

NOTE:

For other SNV types refer to [Gauge valve - Type SNV-ST and SNV-SS](#).

For complete list of Spare parts and accessories for ICF 15 to 65 (including SS versions) please refer to [Spare parts and accessories](#)

Table 112: ICAD 600A/ICAD 1200A

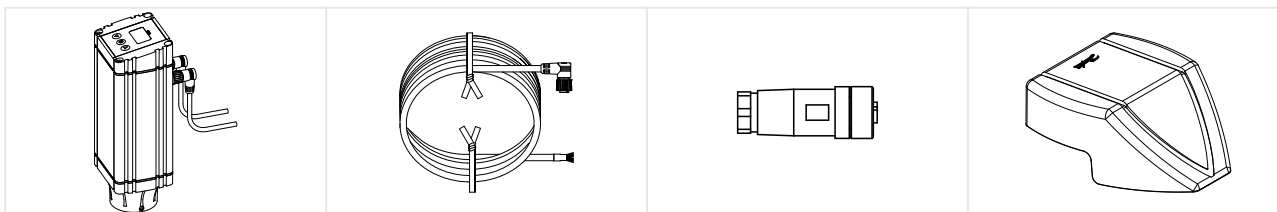


Table 113: ICAD 600A/ICAD 1200A

| Description | Code no. |
|----------------------------------|-----------------------------|
| ICAD 600A for ICF 15 to ICF 25 | With 1.5 m. cables 027H9075 |
| | Without cables 027H9120 |
| ICAD 1200A for ICF 50 and ICF 65 | With 1.5 m. cables 027H9077 |
| | Without cables 027H9122 |

Valve station, type ICF 15, ICF 20, ICF 25, ICF 50 and ICF 65

| Description | Code no. |
|----------------|----------------------------------|
| Cable | Cable set 10 m. 027H0427 |
| | Cable set 15 m. 027H0435 |
| Connector | Connector set female 027H0430 |
| Protection cap | Protection cap for ICAD 027H0431 |

NOTE:

For ICAD details please refer to [Motor operated valves and Actuators - Type ICM and ICAD](#)

Regarding pilots for ICF 25/50/60 please use link to online documents:

- ICS datasheet - [Pilot-operated servo valve](#)
- Pilot datasheet - [Pilot valve](#)

Table 114: Coils

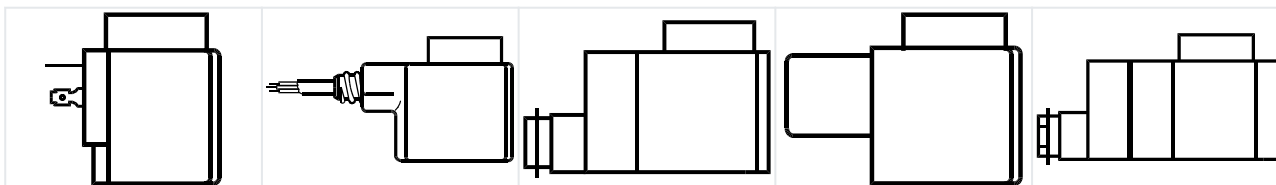


Table 115: Coils

| Valve type | Voltage | Frequency | Code no. | | | Appendix no. | Power consumption |
|--|-----------|-----------|-----------------------------|-------------------------|-----------------|--------------|---------------------|
| | V | Hz | With 1 m 3-core cable IP 67 | With terminal box IP 67 | With DIN plugs | | |
| Alternating current AC | | | | | | | |
| ICFE ICS/ICLX (MOPD < 21 Bar) | 12 | 50 | | 018F6706 | | 15 | Holding: 10 W 21 VA |
| | 24 | 50 | 018F6257 | 018F6707 | 018F7358 | 16 | |
| | 220 – 230 | 50 | 018F6251 | 018F6701 | 018F7351 | 31 | Inrush: 44 VA |
| | 115 | 60 | 018F6260 | 018F6710 | | 20 | |
| Direct current DC | | | | | | | |
| ICFE/ICFA ICS/ICLX (MOPD < 21 Bar) | 12 | | | 018F6856 | | 1 | 20 W |
| | 24 | | | 018F6857 | | 2 | |
| Alternating current AC | | | | | | | |
| ICFE ICS/ICLX (MOPD < 21 Bar) | 24 | 50 | | 018F6807 | | 16 | Holding: 12 W 26 VA |
| | 110 | 50 | | 018F6811 | | 22 | Inrush: 55 VA |
| | 220-230 | 50 | | 018F6801 | | 31 | |

NOTE:

For other coil types please refer to the technical leaflets for **EVRA, AKVA, ICS** or **ICLX** valves.

Possible module locations

Module locations are indicated by M1, M2, M3, M4, M5 and M6.

With respect to refrigerant flow, M1 is closest to inlet.

Table 116: ICF 15 with four modules

| Function Module Type | | Can be installed in these locations | | | |
|----------------------|---|-------------------------------------|--------------------------|-----------------|-----------------|
| ICFS | Shut-off valve module | (ICFS 15) ⁽¹⁾ | (ICFS 15) ⁽¹⁾ | (²⁾ | M4 |
| ICFR | Manual regulating valve module | (ICFS 15) ⁽¹⁾ | (ICFS 15) ⁽¹⁾ | (²⁾ | M4 |
| ICFF | Strainer module | (ICFS 15) ⁽¹⁾ | (ICFS 15) ⁽¹⁾ | (²⁾ | (²⁾ |
| ICFE | Solenoid valve module | (ICFS 15) ⁽¹⁾ | (ICFS 15) ⁽¹⁾ | M3 | (²⁾ |
| ICFC | Check valve module | (ICFS 15) ⁽¹⁾ | (ICFS 15) ⁽¹⁾ | (²⁾ | M4 |
| ICFN | Stop & check valve module | (ICFS 15) ⁽¹⁾ | (ICFS 15) ⁽¹⁾ | (²⁾ | M4 |
| ICM | Motor operated valve module | (ICFS 15) ⁽¹⁾ | (ICFS 15) ⁽¹⁾ | M3 | (²⁾ |
| ICFB | Blind top cover | (ICFS 15) ⁽¹⁾ | (ICFS 15) ⁽¹⁾ | M3 | M4 |
| ICFA | Electronic expansion valve module (for ICF 20 only) | (ICFS 15) ⁽¹⁾ | (ICFS 15) ⁽¹⁾ | M3 | (²⁾ |

Valve station, type ICF 15, ICF 20, ICF 25, ICF 50 and ICF 65

| Function Module Type | | Can be installed in these locations | | | |
|----------------------|---------------------------------------|-------------------------------------|--------------------------|----------------|----|
| ICFO | Manual opening module | (ICFS 15) ⁽¹⁾ | (ICFS 15) ⁽¹⁾ | ⁽²⁾ | M4 |
| ICFW | Welding module | (ICFS 15) ⁽¹⁾ | (ICFS 15) ⁽¹⁾ | M3 | M4 |
| ICFD | Drain module (for ICF 15 and 20 only) | (ICFS 15) ⁽¹⁾ | (ICFS 15) ⁽¹⁾ | ⁽²⁾ | M4 |

Table 117: ICF 20 with two modules

| Function Module Type | | Port | |
|----------------------|--|----------------|----------------|
| ICFE/ICFA | Solenoid valve module | M1 | ⁽²⁾ |
| ICFE20H | Solenoid valve module (Not in combination with ICFO) | M1 | ⁽²⁾ |
| ICFO | Manual opening module | ⁽²⁾ | M2 |
| ICFB | Blank top cover | M1 | M2 |
| ICFW | Welding module | M1 | M2 |
| ICFC | Check valve module | ⁽²⁾ | M2 |
| ICFC 20P1 | Check valve module | ⁽²⁾ | M2 |
| ICFN 20 | Stop & check valve module | ⁽²⁾ | M2 |
| ICFR | Manual regulating valve module | M1 | M2 |
| ICM | Motor valve module | M1 | ⁽²⁾ |
| ICFD 20 | Defrost module | ⁽²⁾ | M2 |
| ICFS | Shut-off valve module | M1 | M2 |
| ICFF | Strainer module | ⁽²⁾ | M2 |
| ICM | Motor operated valve module | M1 | ⁽²⁾ |

Table 118: ICF 20 and ICF 25 with four modules

| Function Module Type | | Can be installed in these locations | | | |
|----------------------|---|-------------------------------------|----------------|----------------|----------------|
| ICFS | Shut-off valve module | M1 | M2 | M3 | M4 |
| ICFR | Manual regulating valve module | M1 | M2 | M3 | M4 |
| ICFF | Strainer module | ⁽²⁾ | M2 | ⁽²⁾ | M4 |
| ICFE | Solenoid valve module | ⁽²⁾ | ⁽²⁾ | M3 | ⁽²⁾ |
| ICFC | Check valve module | ⁽²⁾ | ⁽²⁾ | ⁽²⁾ | M4 |
| ICFN | Stop & check valve module | ⁽²⁾ | ⁽²⁾ | ⁽²⁾ | M4 |
| ICM | Motor operated valve module | M1 | ⁽²⁾ | M3 | ⁽²⁾ |
| ICFB | Blind top cover | M1 | M2 | M3 | M4 |
| ICFA | Electronic expansion valve module (for ICF 20 only) | M1 | ⁽²⁾ | M3 | ⁽²⁾ |
| ICFE20H | Solenoid valve module (for ICF 20 only) | M1 | ⁽²⁾ | M3 | ⁽²⁾ |
| ICFO | Manual opening module | ⁽²⁾ | ⁽²⁾ | ⁽²⁾ | M4 |
| ICFW | Welding module | M1 | M2 | M3 | M4 |
| ICFD | Drain module (for ICF 15 and 20 only) | ⁽²⁾ | M2 | ⁽²⁾ | M4 |
| ICFG | Pilot-operated valve module | ⁽²⁾ | ⁽²⁾ | M3 | ⁽²⁾ |

Table 119: ICF 20 and ICF 25 with six modules

| Function Module Type | | Can be installed in these locations | | | | | |
|----------------------|---|-------------------------------------|----------------|----------------|----------------|----------------|----------------|
| ICFS | Shut-off valve module | M1 | M2 | M3 | M4 | M5 | M6 |
| ICFR | Manual regulating valve module | M1 | M2 | M3 | M4 | M5 | M6 |
| ICFF | Strainer module | ⁽²⁾ | M2 | ⁽²⁾ | M4 | ⁽²⁾ | M6 |
| ICFE | Solenoid valve module | ⁽²⁾ | ⁽²⁾ | M3 | ⁽²⁾ | ⁽²⁾ | ⁽²⁾ |
| ICFC | Check valve module | ⁽²⁾ | ⁽²⁾ | ⁽²⁾ | M4 | ⁽²⁾ | M6 |
| ICFN | Stop & check valve module | ⁽²⁾ | ⁽²⁾ | ⁽²⁾ | M4 | ⁽²⁾ | M6 |
| ICM | Motor operated valve module | M1 | ⁽²⁾ | M3 | ⁽²⁾ | M5 | ⁽²⁾ |
| ICFB | Blind top cover | M1 | M2 | M3 | M4 | M5 | M6 |
| ICFA | Electronic expansion valve module (for ICF 20 only) | M1 | ⁽²⁾ | M3 | ⁽²⁾ | M5 | ⁽²⁾ |
| ICFE20H | Solenoid valve module (for ICF 20 only) | M1 | ⁽²⁾ | M3 | ⁽²⁾ | M5 | ⁽²⁾ |
| ICFO | Manual opening module | ⁽²⁾ | ⁽²⁾ | ⁽²⁾ | M4 | ⁽²⁾ | ⁽²⁾ |
| ICFW | Welding module | M1 | M2 | M3 | M4 | M5 | M6 |
| ICFD | Drain module (for ICF 15 and 20 only) | ⁽²⁾ | M2 | ⁽²⁾ | M4 | ⁽²⁾ | M6 |
| ICFG | Pilot-operated valve module | ⁽²⁾ | ⁽²⁾ | M3 | ⁽²⁾ | ⁽²⁾ | ⁽²⁾ |

Valve station, type ICF 15, ICF 20, ICF 25, ICF 50 and ICF 65

Table 120: ICF 50 with four modules

| Function Module Type | | Can be installed in these locations | | | |
|----------------------|--------------------------------|-------------------------------------|-----|-----|-----|
| SVA-S | Shut-off valve module | (SVA-S 50) ⁽¹⁾ | (2) | (2) | M4 |
| ICFB | Blind top cover | (SVA-S 50) ⁽¹⁾ | M2 | (2) | (2) |
| FIA | Strainer module | (SVA-S 50) ⁽¹⁾ | M2 | (2) | (2) |
| ICS | Pilot-operated valve module | (SVA-S 50) ⁽¹⁾ | (2) | M3 | (2) |
| ICM | Motor operated valve module | (SVA-S 50) ⁽¹⁾ | (2) | M3 | (2) |
| ICLX | 2-step solenoid valve module | (SVA-S 50) ⁽¹⁾ | (2) | M3 | (2) |
| REG-SB | Manual regulating valve module | (SVA-S 50) ⁽¹⁾ | (2) | (2) | M4 |

Table 121: ICF 65 with three modules

| Function Module Type | | Can be installed in these locations | | | |
|----------------------|--------------------------------|-------------------------------------|-----|-----|-----|
| SVA-S | Shut-off valve module | (SVA-S 65) ⁽¹⁾ | (2) | (2) | M4 |
| ICFB | Blind top cover | (SVA-S 65) ⁽¹⁾ | (2) | (2) | (2) |
| FIA | Strainer module | (SVA-S 65) ⁽¹⁾ | (2) | (2) | (2) |
| ICS | Pilot-operated valve module | (SVA-S 65) ⁽¹⁾ | (2) | M3 | (2) |
| ICM | Motor operated valve module | (SVA-S 65) ⁽¹⁾ | (2) | M3 | (2) |
| ICLX | 2-step solenoid valve module | (SVA-S 65) ⁽¹⁾ | (2) | M3 | (2) |
| REG-SB | Manual regulating valve module | (SVA-S 65) ⁽¹⁾ | (2) | (2) | M4 |

⁽¹⁾ Module is fixed

⁽²⁾ location not possible

Certificates, declarations, and approvals

The list contains all certificates, declarations, and approvals for this product type. Individual code number may have some or all of these approvals, and certain local approvals may not appear on the list.

Some approvals may change over time. You can check the most current status at danfoss.com or contact your local Danfoss representative if you have any questions.

The ICF concept is designed to fulfil global refrigeration requirements. For specific approval information, please contact Danfoss.

Table 122: Compliance

| ICF valve station | | |
|-------------------|------------------------|-----------------------|
| Nominal bore | DN ≤ 25 (1 in.) | DN 32-65 (1 ¼ - 2 ½") |
| Classified for | Fluid group I | |
| Category | Article 4, paragraph 3 | II |

Table 123: Conformity Approvals


| | |
|---|-------------|
|  | UL approved |
|---|-------------|

Table 124: Approvals

| File name | Document type | Document topic | Approval authority |
|--|-------------------------------|----------------|---|
| EAC RU Д-ДК.БЛ08.В.03759 | EAC Declaration | EMC | EAC - Eurasian Customs Union |
| EAC RU Д-ДК.РА01.В.72054_20 | EAC Declaration | PED | EAC - Eurasian Customs Union |
| RMRS 19.10325.266 | Marine - Safety Certificate | - | RMRS - Russian Maritime Register o |
| Danfoss EU 033F0685.AK | EU Declaration | EMC/PED | Danfoss |
| Danfoss MD 033F0474.AC | Manufacturer's Declaration | ATEX | Danfoss |
| TSSA CRN.0C19908.5123467890YTN | - | CRN | TSSA - Technical Standards & Safety Authority |
| TÜV 0045-202-1204/Z-00354-19-D-002(03) | Pressure - Safety Certificate | PED | TÜV |

Online support

Danfoss offers a wide range of support along with our products, including digital product information, software, mobile apps, and expert guidance. See the possibilities below.

The Danfoss Product Store



The Danfoss Product Store is your one-stop shop for everything product related—no matter where you are in the world or what area of the cooling industry you work in. Get quick access to essential information like product specs, code numbers, technical documentation, certifications, accessories, and more.

Start browsing at store.danfoss.com.

Find technical documentation



Find the technical documentation you need to get your project up and running. Get direct access to our official collection of data sheets, certificates and declarations, manuals and guides, 3D models and drawings, case stories, brochures, and much more.

Start searching now at www.danfoss.com/en/service-and-support/documentation.

Get local information and support



Local Danfoss websites are the main sources for help and information about our company and products. Find product availability, get the latest regional news, or connect with a nearby expert—all in your own language.

Find your local Danfoss website here: www.danfoss.com/en/choose-region.

Danfoss Learning



Danfoss Learning is a free online learning platform. It features courses and materials specifically designed to help engineers, installers, service technicians, and wholesalers better understand the products, applications, industry topics, and trends that will help you do your job better.

Create your Danfoss Learning account for free at www.danfoss.com/en/service-and-support/learning.

Spare Parts



Get access to the Danfoss spare parts and service kit catalog right from your smartphone. The app contains a wide range of components for air conditioning and refrigeration applications, such as valves, strainers, pressure switches, and sensors.

Download the Spare Parts app for free at www.danfoss.com/en/service-and-support/downloads.

Coolselector®2 - find the best components for you HVAC/R system



Coolselector®2 makes it easy for engineers, consultants, and designers to find and order the best components for refrigeration and air conditioning systems. Run calculations based on your operating conditions and then choose the best setup for your system design.

Download Coolselector®2 for free at coolselector.danfoss.com.

Danfoss A/S

Climate Solutions • danfoss.com • +45 7488 2222

Any information, including, but not limited to information on selection of product, its application or use, product design, weight, dimensions, capacity or any other technical data in product manuals, catalogues descriptions, advertisements, etc. and whether made available in writing, orally, electronically, online or via download, shall be considered informative, and is only binding if and to the extent, explicit reference is made in a quotation or order confirmation. Danfoss cannot accept any responsibility for possible errors in catalogues, brochures, videos and other material. Danfoss reserves the right to alter its products without notice. This also applies to products ordered but not delivered provided that such alterations can be made without changes to form, fit or function of the product.

All trademarks in this material are property of Danfoss A/S or Danfoss group companies. Danfoss and the Danfoss logo are trademarks of Danfoss A/S. All rights reserved.