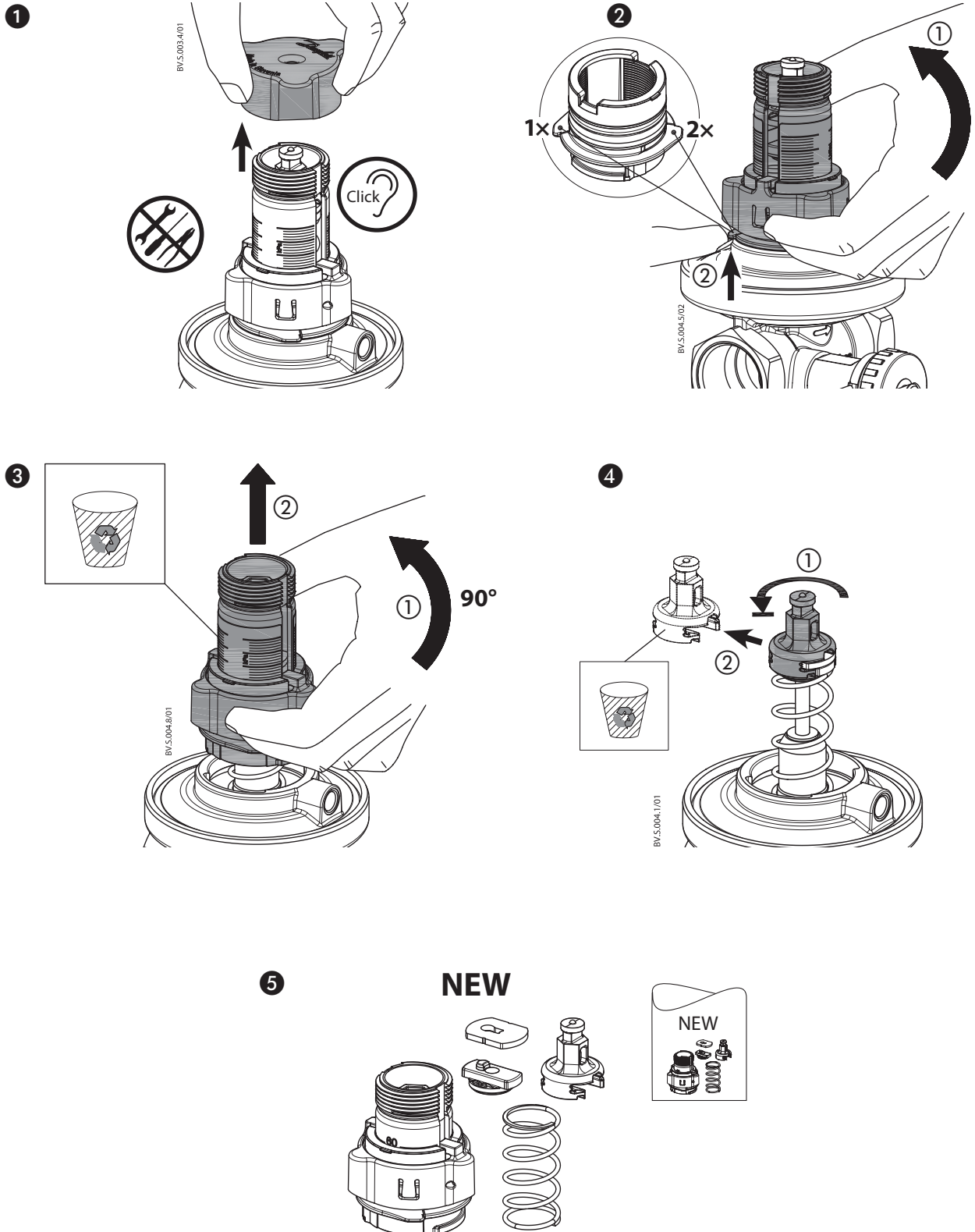


Installation Guide

ASV-PV / DN 15-25 service kit 5-25 / 20-60 kPa

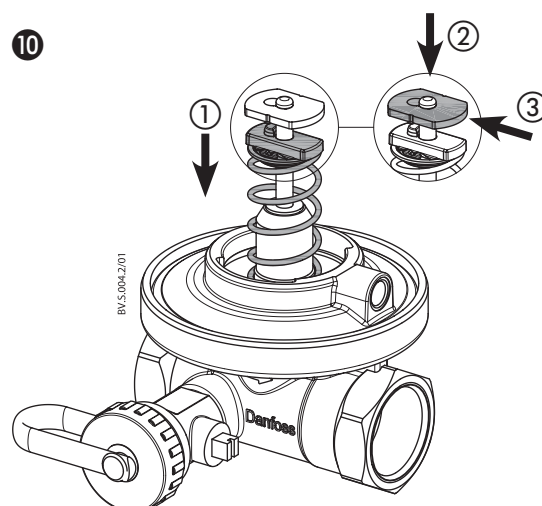
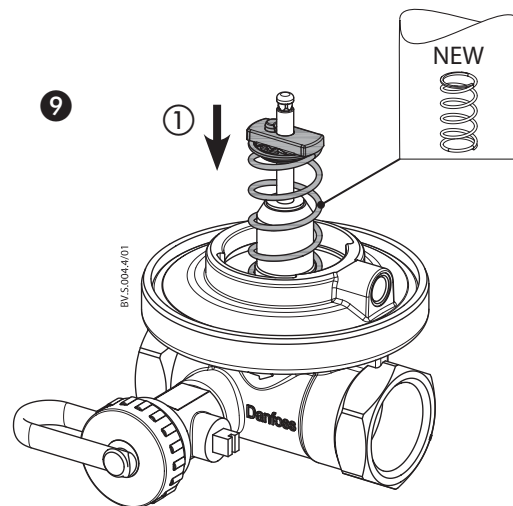
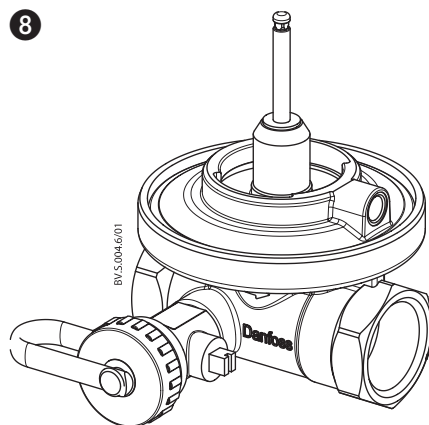
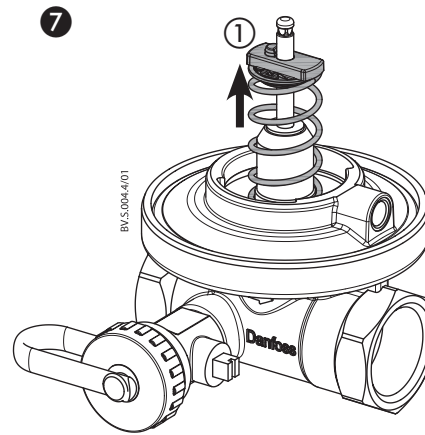
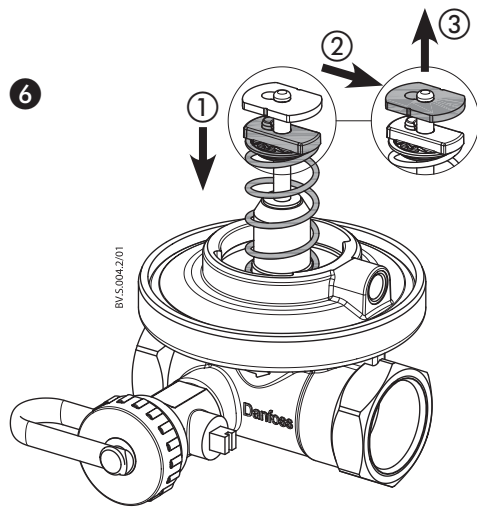


ASV-PV / DN 15-25 service kit

Spring replacement

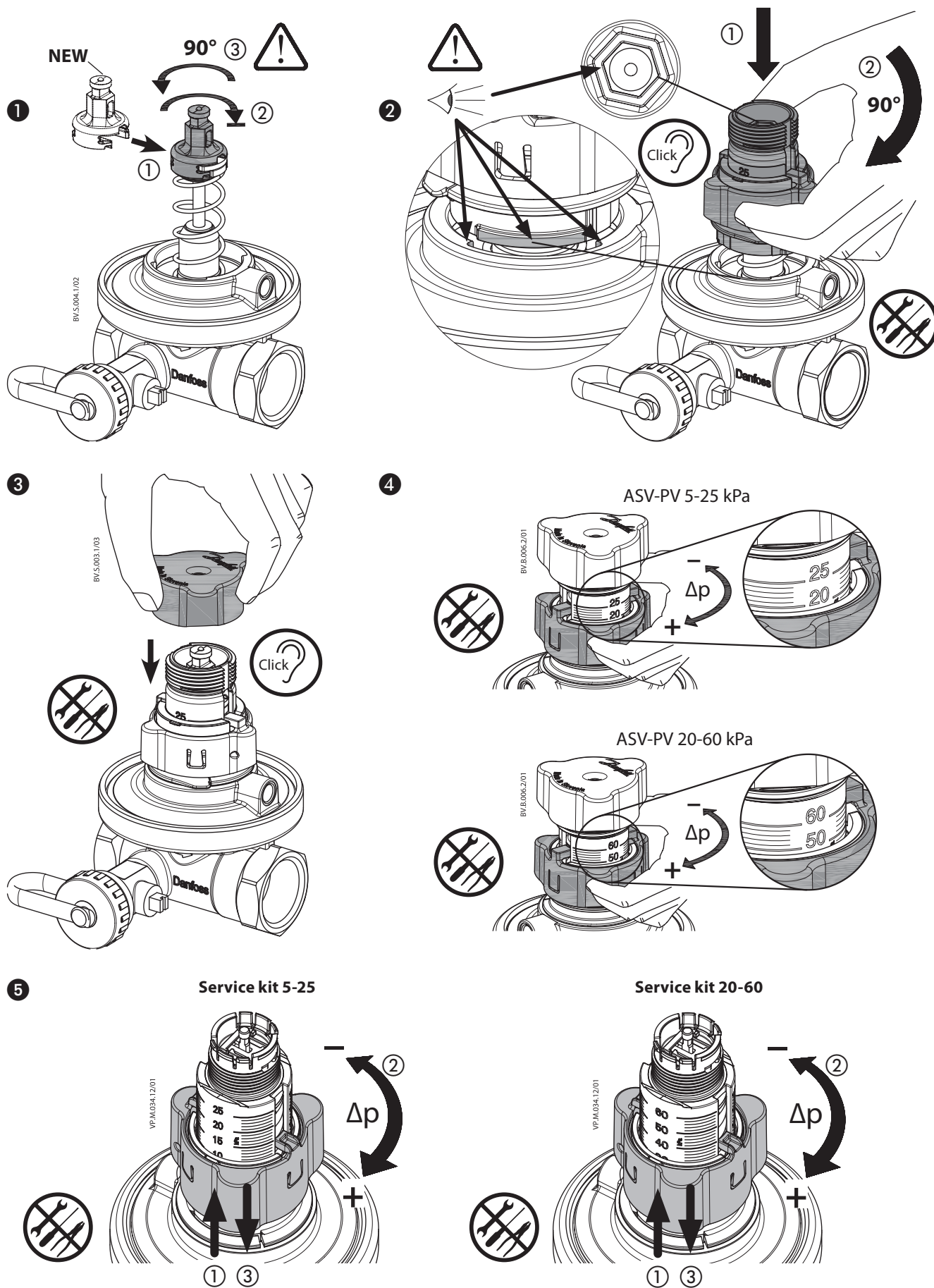
ASV-PV 5-25 kPa > ASV-PV 20-60 kPa

ASV-PV 20-60 kPa > ASV-PV 5-25 kPa



ASV-PV / DN 15-25 service kit

Setting scale replacement





ASV-PV / DN 15-25 service kit
