

Data sheet

High capacity Fishbone Plate Heat Exchanger SL222

Description



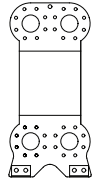
Fishbone Plate Heat Exchangers - are designed with the focus on medium and high capacity applications in the areas of:

- air conditioning,
- HVAC,
- solar heating,
- heat recovery or
- any other application with a heat transfer between single phase liquids.

Approval:
Pressure Equipment Directive (PED).

Ordering

1-pass heat exchanger **SL222-SB**

| Picture | No. of plates (n) | Code No. |
|---|-------------------|----------|
| | | SL222 TL |
|  | 40 | 079U3833 |
| | 50 | 079U3834 |
| | 60 | 079U3835 |
| | 70 | 079U3836 |
| | 80 | 079U3837 |
| | 90 | 079U3838 |
| | 100 | 079U3839 |
| | 110 | 079U3840 |
| | 120 | 079U3841 |
| | 140 | 079U3843 |
| | 160 | 079U3845 |
| | 180 | 079U3847 |
| 200 | 079U3849 | |

Notes:
Brackets are part of the frame design.

Accessories - **Insulation SL222 MW**

| Mineral wool with metal sheet cover (MW) | |
|--|----------|
| Type coverage (plate number) | Code No. |
| TL | |
| 40 - 70 | 079U1030 |
| 71 - 110 | 079U1031 |
| 111 - 150 | 079U1032 |
| 151 - 200 | 079U1033 |

Accessories - **Insulation SL222 PU**

| Polyurethane with metal sheet cover (PU) | |
|--|----------|
| Type coverage (plate number) | Code No. |
| TL | |
| 40 - 70 | 079U1037 |
| 71 - 110 | 079U1038 |
| 111 - 150 | 079U1039 |
| 151 - 200 | 079U1040 |

Technical data

Heat exchanger **SL222**

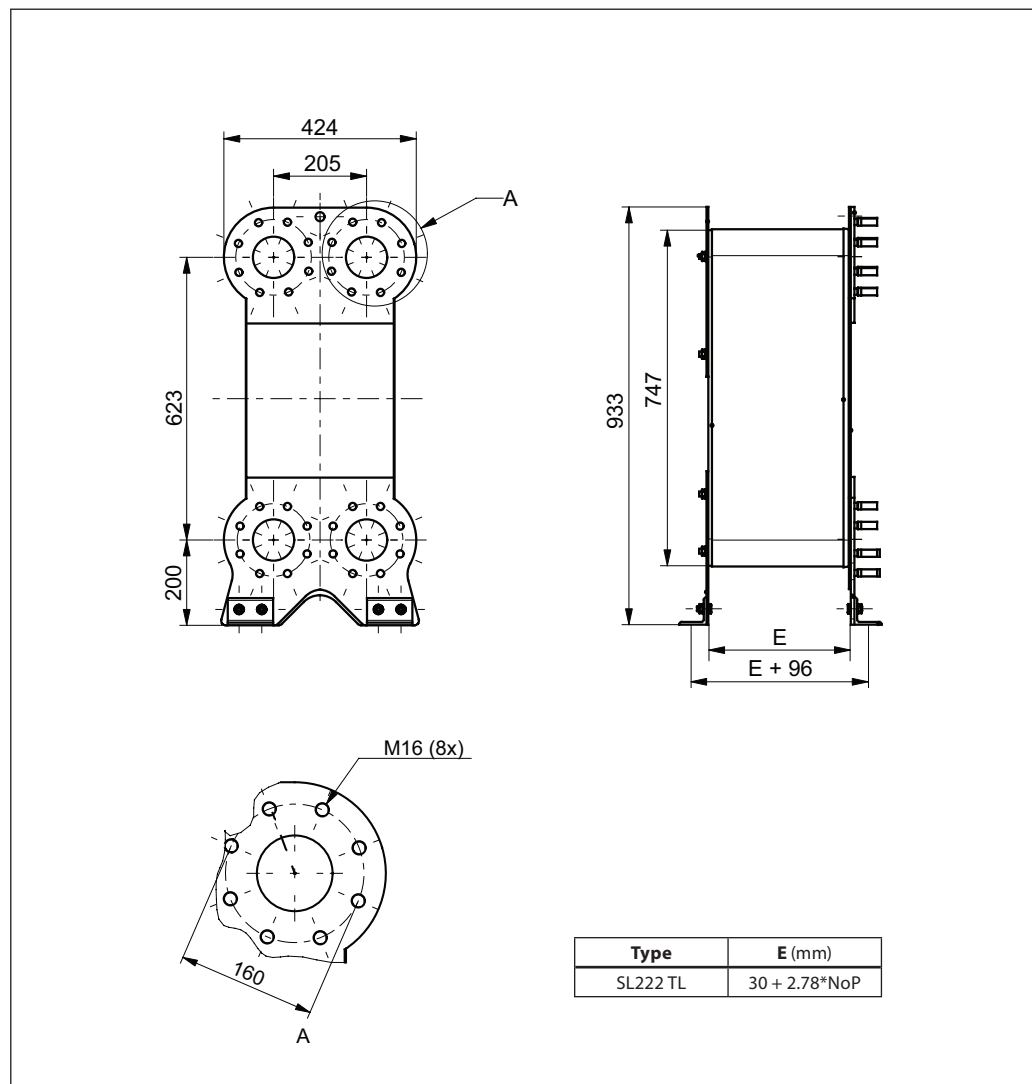
| | | |
|-------------------------|-----|--|
| Type | | SL222 TL |
| Max working pressure | bar | 25 |
| Min. / Max. temperature | °C | -196 / 225 |
| Flow medium | | DH: Circulation water / glycolic water up to 50% DC: ethylene-, propylene-glycolic water, ethanol-water solutions and other suitable heat transfer media. (Please contact your Danfoss representative for different medium.) |
| Volume / Channel | Ltr | 0.557 |
| Connections | | Standard flange DN80 - Stud Bolt M16 ISO13918 |
| Weight 1-pass | kg | 43.75 + 0.85*NoP |
| Materials | | |
| Plate material | | Stainless steel, mat. no. 1.4404 (316L) |
| Brazing | | Copper |

Insulation

| Type | | Mineral wool shell with metal sheet cover (MW) | Polyurethane shell with metal sheet cover (PU) |
|---------------------|-----------------|--|--|
| Wall thickness | mm | 60 | 60 |
| Heat conductivity λ | W/mK | 0.039 | 0.024 |
| Max. temp. | Permanent | 150 | 110 |
| | Short term peak | 180 | 130 |
| Surface finish | | Aluminium sheet cover | Aluminium sheet cover |

Note:
For more details about insulation please contact your local sales representative.

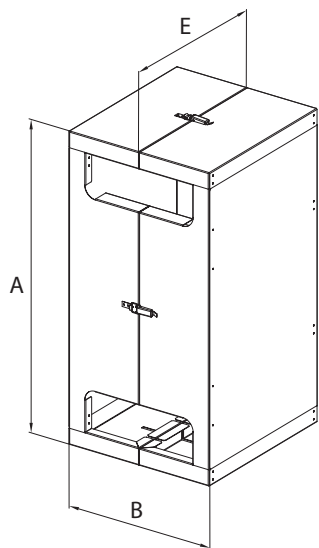
Dimensions



Note:
Dimensions only to be used for your reference and not to be used for engineering or construction purposes.

Dimensions (continuous)

Insulation



| Type | A | B | E | Code No. |
|------|-----|-----|-----|-----------------|
| | mm | | | |
| MW | 963 | 555 | 459 | 079U1030 |
| | | | 574 | 079U1031 |
| | | | 691 | 079U1032 |
| | | | 836 | 079U1033 |
| PU | 963 | 555 | 459 | 079U1037 |
| | | | 574 | 079U1038 |
| | | | 691 | 079U1039 |
| | | | 836 | 079U1040 |

Note:
Insulation can be used for 2 and M pass HEX.

PU and MW - insulation



Danfoss A/S

Climate Solutions • danfoss.com • +45 7488 2222

Any information, including, but not limited to information on selection of product, its application or use, product design, weight, dimensions, capacity or any other technical data in product manuals, catalogues descriptions, advertisements, etc. and whether made available in writing, orally, electronically, online or via download, shall be considered informative, and is only binding if and to the extent, explicit reference is made in a quotation or order confirmation. Danfoss cannot accept any responsibility for possible errors in catalogues, brochures, videos and other material. Danfoss reserves the right to alter its products without notice. This also applies to products ordered but not delivered provided that such alterations can be made without changes to form, fit or function of the product.

All trademarks in this material are property of Danfoss A/S or Danfoss group companies. Danfoss and the Danfoss logo are trademarks of Danfoss A/S. All rights reserved.