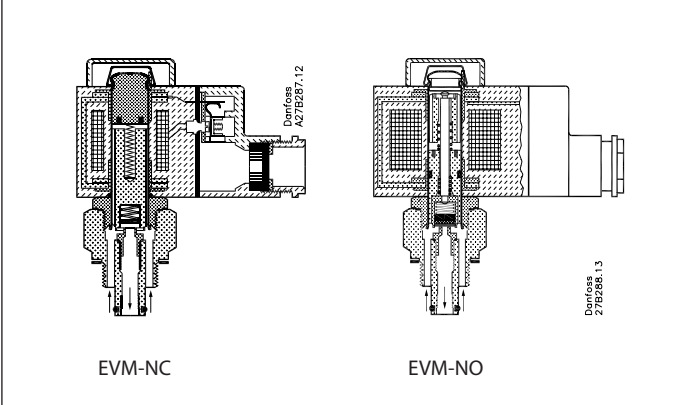
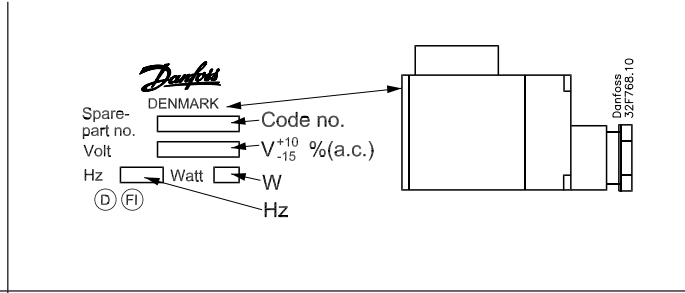
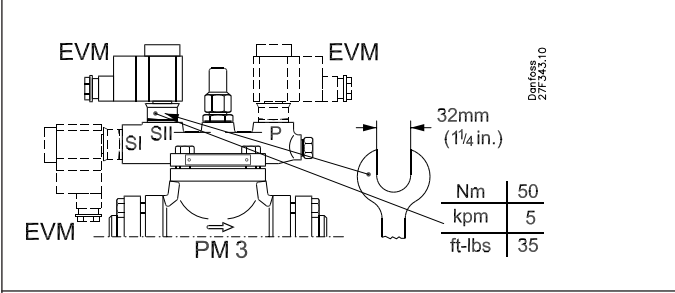
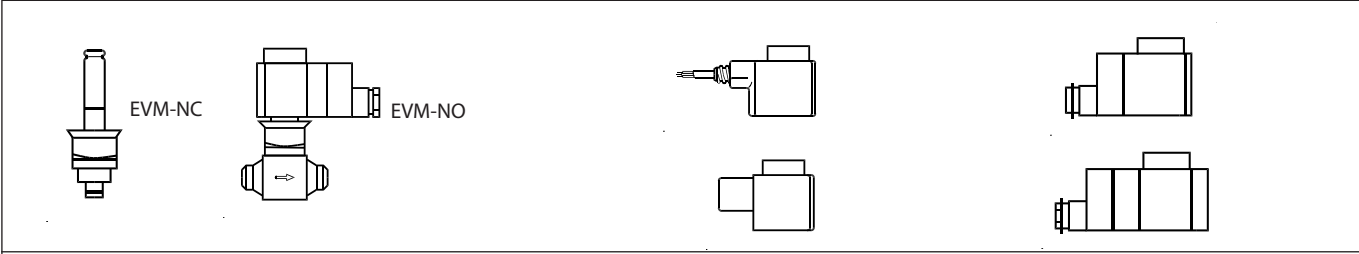


Installation Guide

Solenoid pilot valve EVM NC/NO

032R9528



10 W a.c. t max. 80°C (175°F)

10/ 12 W a.c. t max. 80°C (175°F)

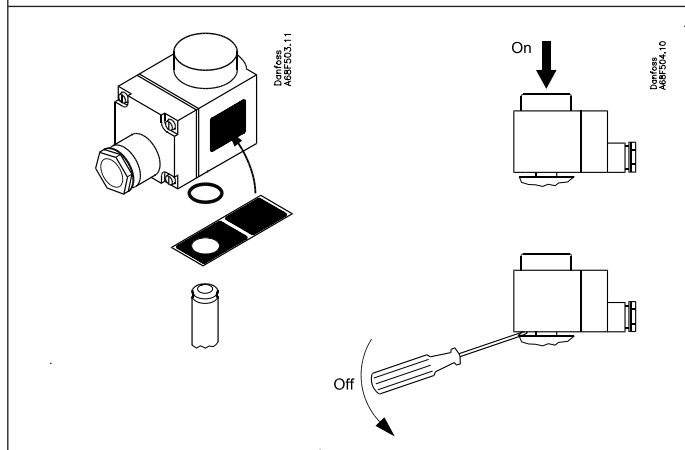
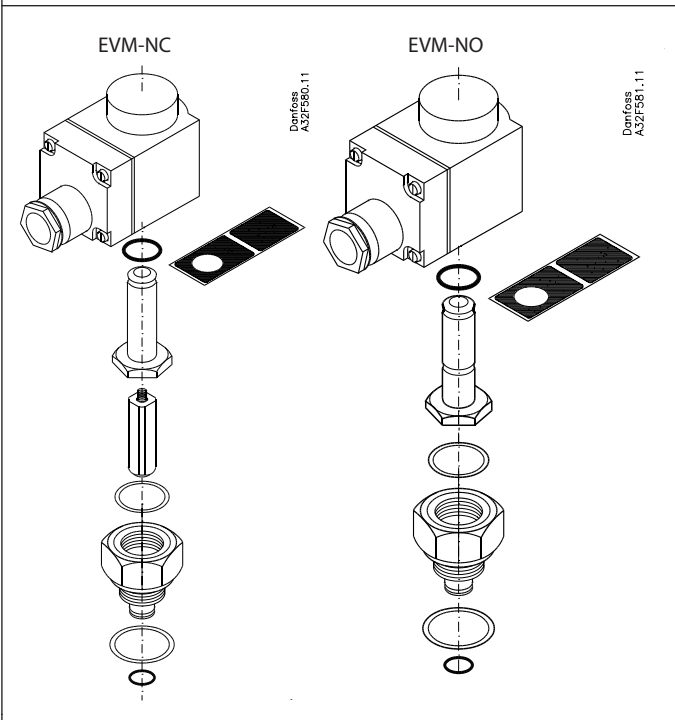
20 W d.c. t max. 50°C (120°F)

t min. -40°C (-40°F)

Min. medium temperature: -60°C (-76°F)
 Max. medium temperature: 120°C (248°F)
 Max. working pressure: PS/MWP
 45.2 bar / 655 psig
 52 bar / 754 psig
 65 bar / 942 psig

Max. opening diff. pressure (MOPD): →

EVM NC 21 bar
 EVM NO 19 bar



Danfoss can accept no responsibility for possible errors in catalogues, brochures and other printed material. Danfoss reserves the right to alter its products without notice. This also applies to products already on order provided that such alterations can be made without consequential changes being necessary in specifications already agreed. All trademarks in this material are property of the respective companies. Danfoss and the Danfoss logotype are trademarks of Danfoss A/S. All rights reserved.

032R9528