

Check Valves

4CK30

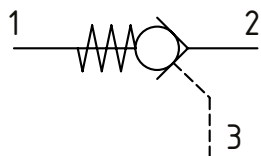
Pilot Operated Check Valve, Port 3 Pilot to Open

350 bar [5000 psi] • 30 l/min [8 US gpm]

DESCRIPTION AND OPERATION

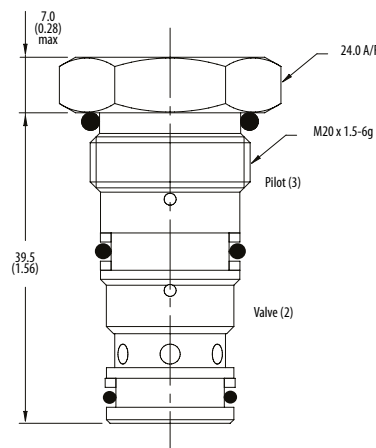
This is a pilot operated check valve where free flow takes place from port 2 to 1 and is blocked from port 1 to 2 until pilot pressure is applied to port 3.

SCHEMATIC



DIMENSIONS

mm [in]

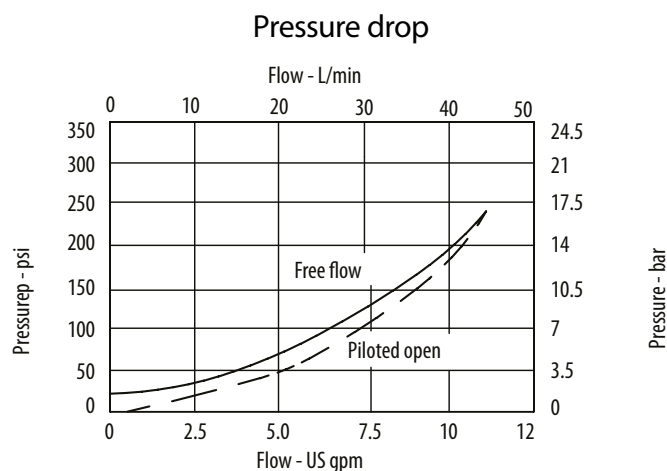


Installation torque
45 Nm [33 ft. lbs]

PERFORMANCE DATA

| | |
|----------------|----------------------------|
| Rated pressure | 350 bar [5000 psi] |
| Rated flow | 30 l/min [8 US gpm] |
| Weight | 0.08 kg [0.18 lbs] |
| Pilot Ratio | 3:1 |
| Leakage | 0.3 ml/min nominal [5 dpm] |
| Cavity | A6610 |

PERFORMANCE CURVES



MODEL CODE

4CK35 - 1 - 3W - S - 3 - 377

Basic Code

4CK30-No Housing
4CK35-Cartridge and Housing
4CKK34-Cartridges and Dual Housing

Pilot Port Size

1-Internal

Housing

| Code | Ports | Housing Model Code | | | |
|------|-------------------------------|--------------------|--------------|------------------|--------------|
| | | Aluminium single | Steel single | Aluminium double | Steel double |
| Omit | No Housing | | | | |
| 3W | 3/8" BSP. 1/4" BSP Pilot Port | B6743 | B12823 | B6836 | B13803 |
| 6T | 3/8" SAE. 1/4" SAE Pilot Port | B10536 | | B10805 | |
| 8T | 1/2" SAE. 1/4" SAE Pilot Port | B7884 | 84811 | B30237 | B11812 |

*Aluminum bodies are to be used for pressures less than 210 bar [3000 psi]
* Additional housings available

Housing Material

Omit-Aluminum/No housing
377-Steel

Pilot Seal Option

Omit -No seals
3 -Seals

Seal Option

| Code | Seal kit |
|-----------|----------|
| S-Nitrile | SK430 |
| SV-Viton | SK430V |