

Check Valves

4CK90

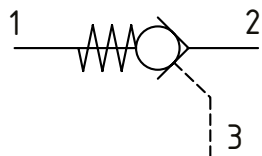
Pilot Operated Check Valve, Port 3 Pilot to Open

350 bar [5000 psi] • 90 l/min [24 US gpm]

DESCRIPTION AND OPERATION

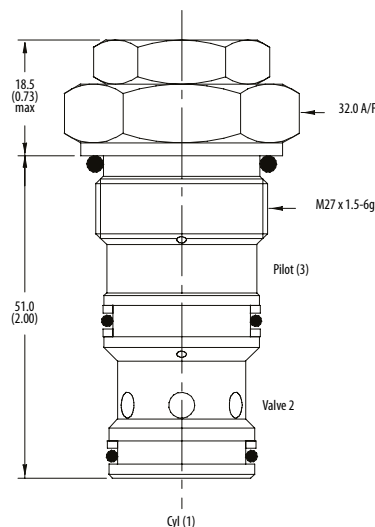
This is a pilot operated check valve where free flow takes place from port 2 to 1 and is blocked from port 1 to 2 until pilot pressure is applied to port 3.

SCHEMATIC



DIMENSIONS

mm [in]

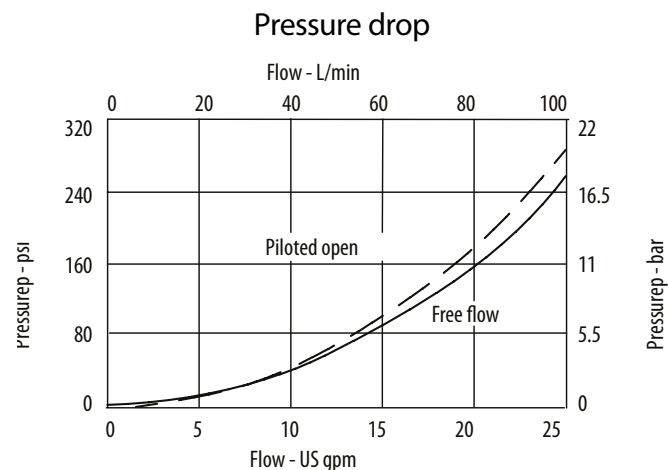


Installation torque
90 Nm [66 ft. lbs]

PERFORMANCE DATA

Rated pressure	350 bar [5000 psi]
Rated flow	90 l/min [24 US gpm]
Weight	0.27 kg [0.61 lbs]
Pilot Ratio	4:1
Leakage	0.3 ml/min nominal [5 dpm]
Cavity	A12336

PERFORMANCE CURVES



MODEL CODE

4CK90 - 1 - 4W - S - 3 - 377

Basic Code

4CK90-No Housing
4CK95-Cartridge and Housing
4CKK95-Cartridges and Dual Housing

Pilot Option

1 -Internal

Housing

Code	Ports	Housing Model Code			
		Aluminium single	Steel single	Aluminium double	Steel double
Omit	No Housing				
4W	1/2" BSP 1/4" BSP Pilot Port	B13625	B13626	C13627	C13628
8T	1/2" SAE 1/4" SAE Pilot Port	B10806	B10922	C10807	C11561

*Aluminum bodies are to be used for pressures less than 210 bar [3000 psi]
* Additional housings available

Housing Material

Omit-Aluminum/No housing
377-Steel

Pilot Seal Option

Omit -No seals
3 -Seals

Seal Option

Code	Seal kit
S-Nitrile	SK832
SV-Viton	SK832V