

Check Valves

4CK300

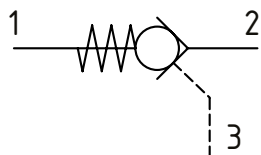
Pilot Operated Check Valve, Port 3 Pilot to Open

350 bar [5000 psi] • 300 l/min [80 US gpm]

DESCRIPTION AND OPERATION

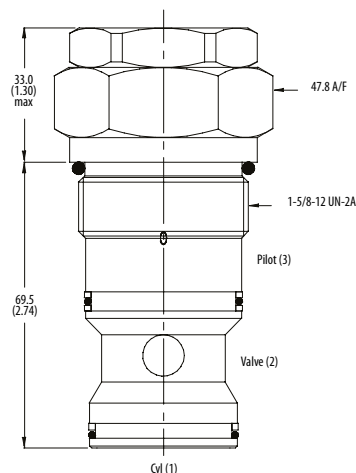
This is a pilot operated check valve where free flow takes place from port 2 to 1 and is blocked from port 1 to 2 until pilot pressure is applied to port 3.

SCHEMATIC



DIMENSIONS

mm [in]

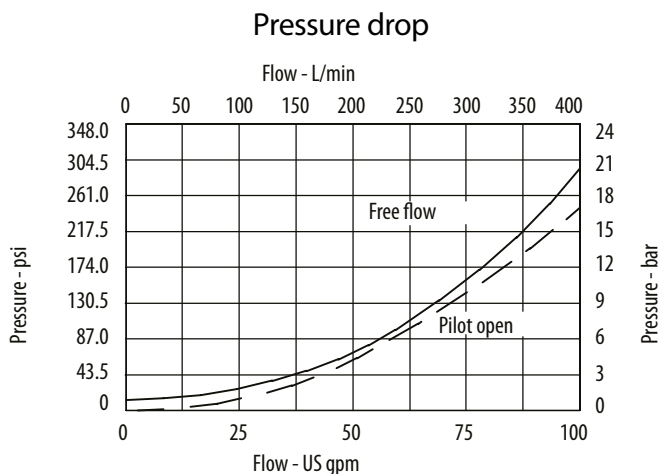


Installation torque
150 Nm [110 ft. lbs]

PERFORMANCE DATA

| | |
|----------------|----------------------------|
| Rated pressure | 350 bar [5000 psi] |
| Rated flow | 300 l/min [80 US gpm] |
| Weight | 0.86 kg [1.89 lbs] |
| Pilot Ratio | 3:1 |
| Leakage | 0.3 ml/min nominal [5 dpm] |
| Cavity | A6935 |

PERFORMANCE CURVES



MODEL CODE

4CK300 - 1 - 10W - S - 3 - 377

| <p>Basic Code</p> <p>4CK300-No Housing 4CK350-Cartridge and Housing 4CKK350-Cartridges and Dual Housing</p> <p>Pilot Option</p> <p>1 -Internal</p> <p>Housing</p> <table border="1"> <thead> <tr> <th>Code</th> <th>Ports</th> <th colspan="4">Housing Model Code</th> </tr> <tr> <th></th> <th></th> <th>Aluminium single</th> <th>Steel single</th> <th>Aluminium double</th> <th>Steel double</th> </tr> </thead> <tbody> <tr> <td>Omit</td> <td>No Housing</td> <td></td> <td></td> <td></td> <td></td> </tr> <tr> <td>10W</td> <td>1 1/4" BSP 1/4" BSP Pilot Port</td> <td>B6814</td> <td>B8610</td> <td>C8704</td> <td>C8705</td> </tr> <tr> <td>20T</td> <td>1 1/4" SAE 1/4" SAE Pilot Port</td> <td>B10630</td> <td>B11474</td> <td>C10811</td> <td>C11564</td> </tr> </tbody> </table> | Code | Ports | Housing Model Code | | | | | | Aluminium single | Steel single | Aluminium double | Steel double | Omit | No Housing | | | | | 10W | 1 1/4" BSP 1/4" BSP Pilot Port | B6814 | B8610 | C8704 | C8705 | 20T | 1 1/4" SAE 1/4" SAE Pilot Port | B10630 | B11474 | C10811 | C11564 | <p>Housing Material</p> <p>Omit-Aluminum/No housing 377-Steel</p> <p>Pilot Seal Option</p> <p>Omit -No seals 3 -Seals</p> <p>Seal Option</p> <table border="1"> <thead> <tr> <th>Code</th> <th>Seal kit</th> </tr> </thead> <tbody> <tr> <td>S-Nitrile</td> <td>SK683</td> </tr> <tr> <td>SV-Viton</td> <td>SK683V</td> </tr> </tbody> </table> | Code | Seal kit | S-Nitrile | SK683 | SV-Viton | SK683V |
|--|--------------------------------|--------------------|--------------------|------------------|--------------|--|--|--|------------------|--------------|------------------|--------------|------|------------|--|--|--|--|-----|--------------------------------|-------|-------|-------|-------|-----|--------------------------------|--------|--------|--------|--------|--|------|----------|-----------|-------|----------|--------|
| Code | Ports | Housing Model Code | | | | | | | | | | | | | | | | | | | | | | | | | | | | | | | | | | | |
| | | Aluminium single | Steel single | Aluminium double | Steel double | | | | | | | | | | | | | | | | | | | | | | | | | | | | | | | | |
| Omit | No Housing | | | | | | | | | | | | | | | | | | | | | | | | | | | | | | | | | | | | |
| 10W | 1 1/4" BSP 1/4" BSP Pilot Port | B6814 | B8610 | C8704 | C8705 | | | | | | | | | | | | | | | | | | | | | | | | | | | | | | | | |
| 20T | 1 1/4" SAE 1/4" SAE Pilot Port | B10630 | B11474 | C10811 | C11564 | | | | | | | | | | | | | | | | | | | | | | | | | | | | | | | | |
| Code | Seal kit | | | | | | | | | | | | | | | | | | | | | | | | | | | | | | | | | | | | |
| S-Nitrile | SK683 | | | | | | | | | | | | | | | | | | | | | | | | | | | | | | | | | | | | |
| SV-Viton | SK683V | | | | | | | | | | | | | | | | | | | | | | | | | | | | | | | | | | | | |