

Check Valves

4CK120

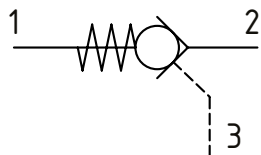
Pilot Operated Check Valve, Port 3 Pilot to Open

350 bar [5000 psi] • 120 l/min [32 US gpm]

DESCRIPTION AND OPERATION

This is a pilot operated check valve where free flow takes place from port 2 to 1 and is blocked from port 1 to 2 until pilot pressure is applied to port 3.

SCHEMATIC

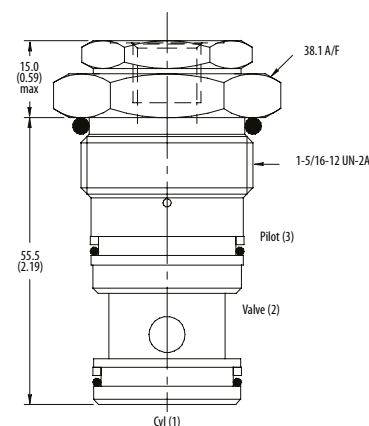


PERFORMANCE DATA

Rated pressure	350 bar [5000 psi]
Rated flow	120 l/min [32 US gpm]
Weight	0.28 kg [0.62 lbs]
Pilot Ratio	3:1
Leakage	0.3 ml/min nominal [5 dpm]
Cavity	A877

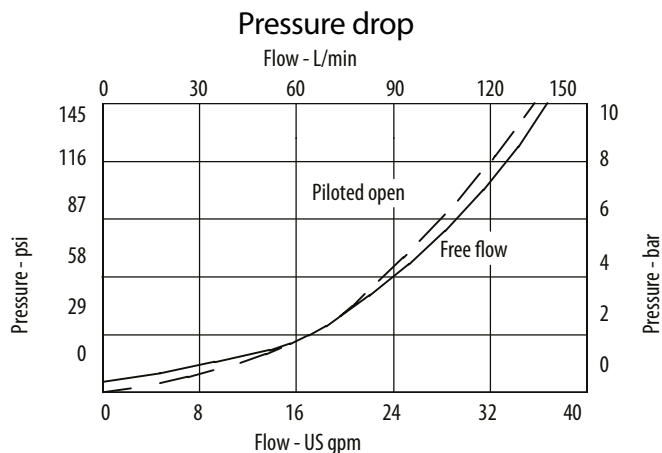
DIMENSIONS

mm [in]



Installation torque
100 Nm [74 ft. lbs]

PERFORMANCE CURVES



MODEL CODE

4CK120 - 1 - 6W - S - 3 - 377

Basic Code

4CK120-No Housing
4CK125-Cartridge and Housing
4CKK125-Cartridges and Dual Housing

Pilot Option

1-Internal

Housing

Code	Ports	Housing Model Code			
		Aluminium single	Steel single	Aluminium double	Steel double
Omit	No Housing				
6W	3/4" BSP 1/4" BSP Pilot Port	B6898	B5544	C2543	C1200
12T	3/4" SAE 1/4" SAE Pilot Port	B8200		C10629	C16434
16T	1" SAE 1/4" SAE Pilot Port	B10708	B11814		

*Aluminum bodies are to be used for pressures less than 210 bar [3000 psi]
* Additional housings available

Housing Material

Omit-Aluminum/No housing
377-Steel

Pilot Seal Option

Omit -No seals
3 -Seals

Seal Option

Code **Seal kit**

S-Nitrile SK381

SV-Viton SK381V