

Check Valves

4SK90

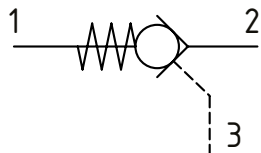
Pilot Operated Check Valve, Port 3 Pilot to Open

350 bar [5000 psi] • 90 l/min [24 US gpm]

DESCRIPTION AND OPERATION

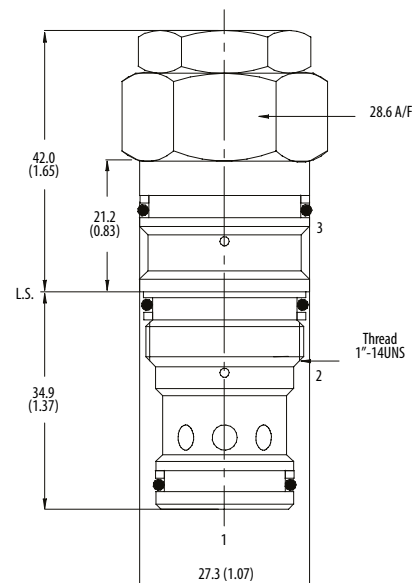
This is a pilot operated check valve where free flow takes place from port 2 to 1 and is blocked from port 1 to 2 until pilot pressure is applied to port 3.

SCHEMATIC



DIMENSIONS

mm [in]

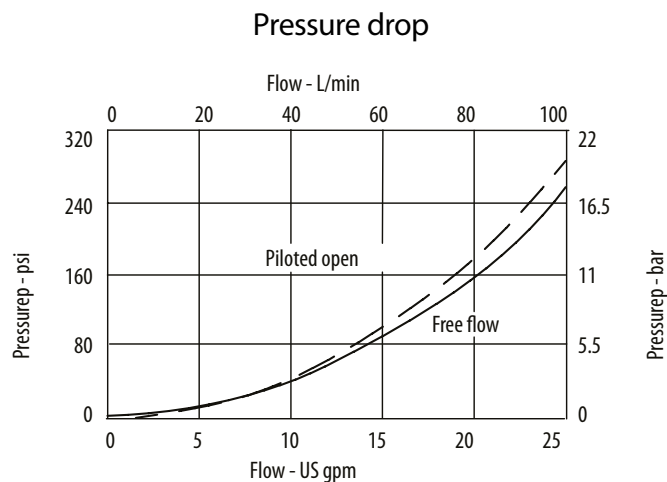


Installation torque
60 Nm [44 ft. lbs]

PERFORMANCE DATA

Rated pressure	350 bar [5000 psi]
Rated flow	90 l/min [24 US gpm]
Weight	0.39 kg [0.86 lbs.]
Pilot Ratio	4:1
Leakage	0.3 m l/min nominal [5 dpm]
Cavity	A20092-T2A

PERFORMANCE CURVES



MODEL CODE

4SK90 - 4 - S - 3

Pilot Ratio

4 - 4:1

Seal Option

Code	Seal kit
S-Nitrile	SK1093
SV-Viton	SK1093V

Pilot Seal Option

Omit - No seals
3 - Seals