

Check Valves

CV3-4

Check Valve, Standard Direction

350 bar [5000 psi] • 7.6 l/min [2 US gpm]

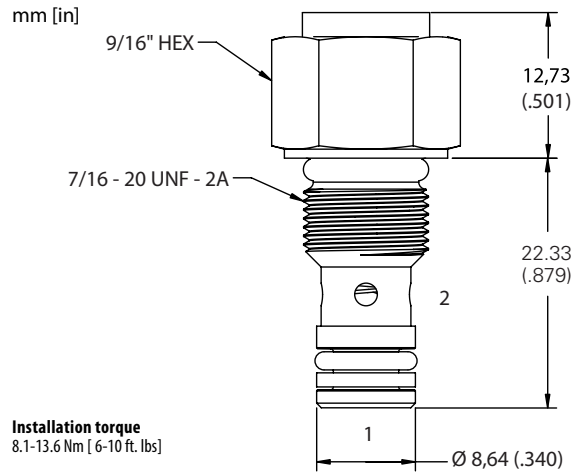
DESCRIPTION AND OPERATION

This is a check valve where free flow takes place from port 1 to 2 and is blocked from port 2 to 1.

SCHEMATIC



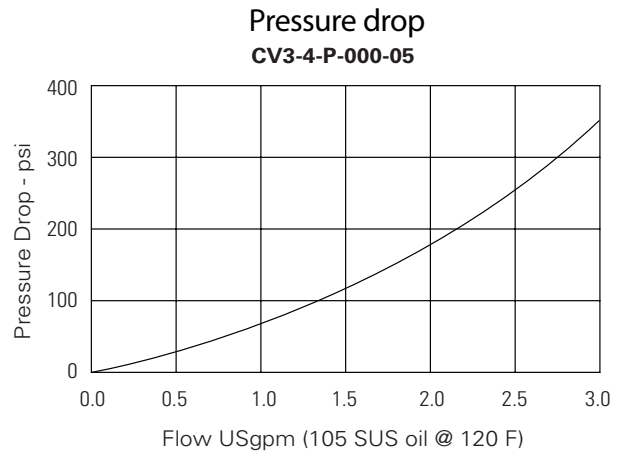
DIMENSIONS



PERFORMANCE DATA

Rated pressure	350 bar [5000 psi]
Rated flow at 7 bar [100psi]	7.6 l/min [2 US gpm]
Leakage	5 drops/min maximum @ 210 bar [3000 psi]
Weight	0.04 kg [0.09 lbs.]
Cavity	C-4-2

PERFORMANCE CURVES



MODEL CODE

CV3 - 4 - V - P - 000 - 05

<p>Seal Option</p> <table border="1" style="width: 100%;"> <thead> <tr> <th>Code</th> <th>Seal kit</th> </tr> </thead> <tbody> <tr> <td>Omit-Buna-N</td> <td>9900174-000</td> </tr> <tr> <td>V-Viton</td> <td>9900175-000</td> </tr> </tbody> </table> <p>Style</p> <p>P-Poppet type</p>	Code	Seal kit	Omit-Buna-N	9900174-000	V-Viton	9900175-000	<p>Crack Pressure</p> <table border="1" style="width: 100%;"> <thead> <tr> <th>Code</th> <th>Bar</th> <th>Psi</th> </tr> </thead> <tbody> <tr> <td>05</td> <td>0.34</td> <td>[5]</td> </tr> <tr> <td>60</td> <td>4.1</td> <td>[60]</td> </tr> </tbody> </table> <p>Housing</p> <table border="1" style="width: 100%;"> <thead> <tr> <th>Code</th> <th>Ports</th> </tr> </thead> <tbody> <tr> <td>000</td> <td>No Housing</td> </tr> </tbody> </table>	Code	Bar	Psi	05	0.34	[5]	60	4.1	[60]	Code	Ports	000	No Housing
Code	Seal kit																			
Omit-Buna-N	9900174-000																			
V-Viton	9900175-000																			
Code	Bar	Psi																		
05	0.34	[5]																		
60	4.1	[60]																		
Code	Ports																			
000	No Housing																			