

Check Valves

SPC2-10

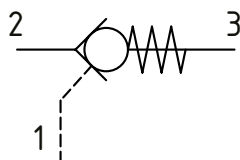
Pilot Operated Check Valve, Port 1 Pilot to Open

210 bar [3000 psi] • 23 l/min [6 US gpm]

DESCRIPTION AND OPERATION

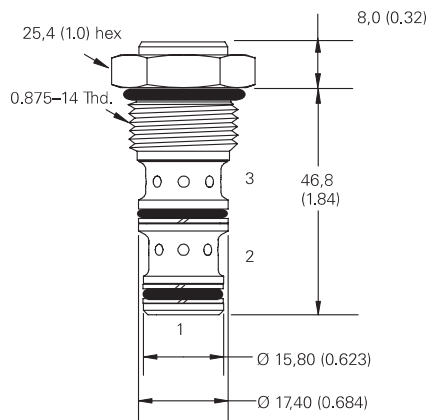
This is a pilot operated check valve where free flow takes place from port 2 to 3 and is blocked from port 3 to 2 until pilot pressure is applied to port 1.

SCHEMATIC



DIMENSIONS

mm [in]

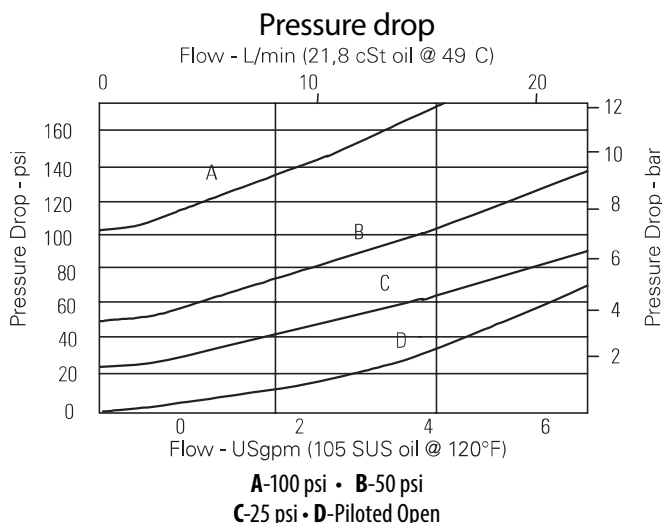


Installation torque
A - 47-54 Nm [35-40 ft. lbs]
S - 68-75 Nm [50-55 ft. lbs]

PERFORMANCE DATA

| | |
|-----------------------|---|
| Rated pressure | 210 bar [3000 psi] |
| Rated flow | 23 l/min [6 US gpm] |
| Leakage | 5 drops/min. maximum @ 210 bar [3000 psi] |
| Weight | 0.08 kg [0.18 lb] |
| Pilot Ratio | 4:1 |
| Cavity | SDC10-3 |

PERFORMANCE CURVES



MODEL CODE

SPC2 - 10 - V - P - 3B - 50

Seal Option

| Code | Seal Kit |
|------------------------------|-----------|
| Omit-Buna-N | 02-153267 |
| V-Viton | 02-173666 |
| U-Buna-N with no pilot seals | 02-153267 |
| W-Viton with no pilot seals | 02-173666 |

Crack Pressure

| Code | Bar | Psi |
|------|-----|-------|
| 25 | 1.7 | [25] |
| 50 | 3.5 | [50] |
| 100 | 6.9 | [100] |

Housing

| Code | Ports | Aluminum standard duty | Aluminum heavy duty |
|------|------------|------------------------|---------------------|
| 0 | No Housing | | |
| 3B | 3/8" BSP | 02-173358 | |
| 6T | #6 SAE | 566162 | |
| 2G | 1/4" BSP | | 876705 |
| 3G | 3/8" BSP | | 876714 |
| 6H | #6 SAE | | 876704 |
| 8H | #8 SAE | | 876711 |

* Aluminum bodies are to be used for pressures less than 210 bar [3000 psi].
 * Additional housings available